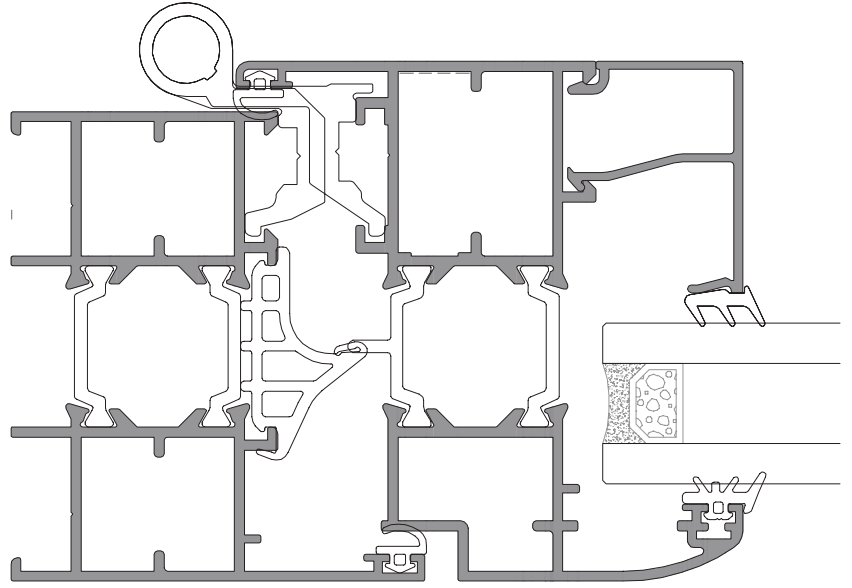


Kapı - Pencere Sistem
Door - Window System



WD70T



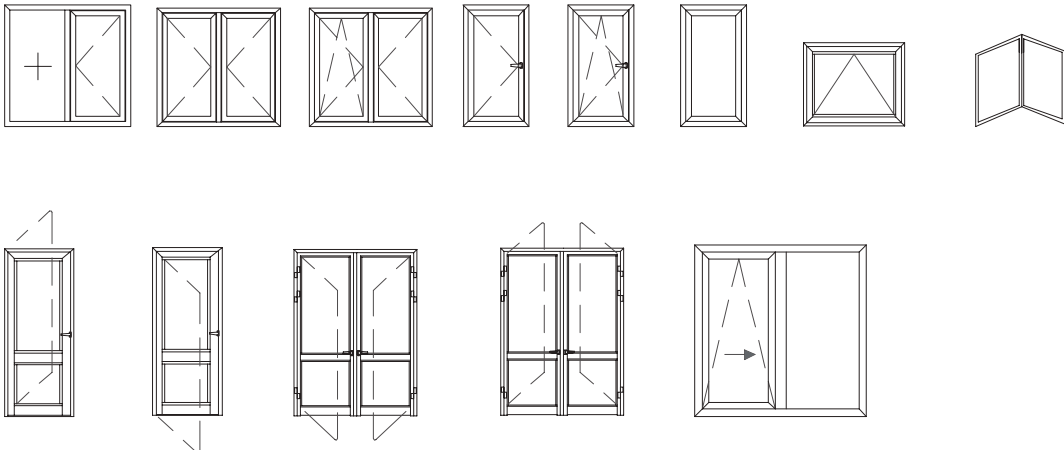
TEKNİK ÖZELLİKLER / TECHNICAL PROPERTIES

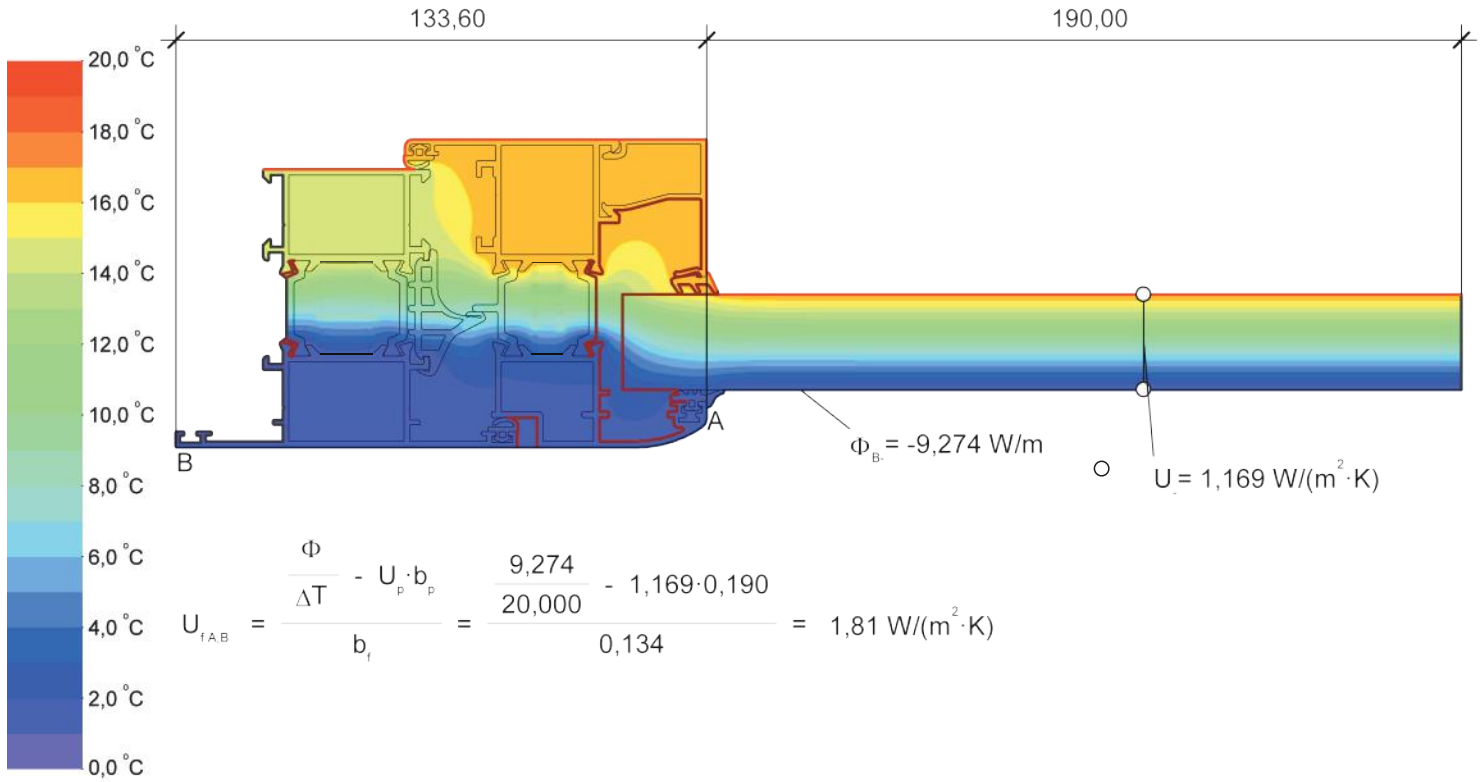
KASA DERİNLİĞİ / FRAME DEPTH	70 mm , 80.5 mm , 91.5 mm
KANAT DERİNLİĞİ / SASH DEPTH	77,5 mm
ET KALINLIĞI / WALL THICKNESS	1.5 mm , 1.8 mm , 2 mm
MİN/MAX CAM KALINLIĞI / MIN/MAX GLASS THICKNESS	16 mm - 45 mm
ISI BARIYER / THERMAL BREAK	24 mm

PERFORMANS DEĞERLERİ / PERFORMANCE VALUES

HAVA GEÇİRGENLİK / AIR PERMEABILITY	EN 12207 : Class 3
SU SIZDIRMAZLIK / WATERTIGHTNESS	EN 12208 : Class 9A
RÜZGAR YÜKÜ / WIND RESISTANCE	EN 12210 : Class C3
ISI YALITIM DEĞERİ / THERMAL INSULATION VALUE (UF)	2.04 - 1.81 W / (m ² . K)

UYGULAMA SEÇENEKLERİ / APPLICATION OPTIONS





Material	λ [W/(m·K)]	ϵ	Boundary Condition	q [W/m ²]	θ [°C]	R [(m ² ·K)/W]	ϵ
Aluminium (Si Alloys)	160,000	0,900	Epsilon 0.9				0,900
EPDM (ethylene propylene diene monomer)	0,250	0,900	Exterior, frame	0,000	0,040		
Panel	0,035	0,900	Interior, normal, horizontal	20,000	0,130		
Polyamid 6.6 with 25% glass fibre	0,300	0,900	Symmetry/Model section	0,000			
Slightly ventilated air cavity	anisotropic						
Undefined Material	0,010	0,900					
Unventilated air cavity	anisotropic						

TÜRKAK
TÜRK AKREDİTASYON KURUMU

TURKISH ACCREDITATION AGENCY

tarafından akredite edilmiş

FTI Fasad Teknoloji Merkezi / FTI Façade Testing Institute

Merkez / Head Office

Atilla İhan Caddesi No:10 PK. 34750 Küçükbakkalköy - Ataşehir / İstanbul / TÜRKİYE
Tel: +90 216 575 88 80 Fax: +90 216 575 89 21 mail: info@fti-europe.com

Laboratuvar / Laboratory

Çakıl Mahallesi Şehit Tamer Aydın Sok. No:60 / A 34540 Çatalca / İstanbul / TÜRKİYE
Tel: +90 212 776 42 25 Fax: +90 212 776 40 58-59 mail: info@fti-europe.com



DENEY SERTİFİKASI / Test Certificate



Test
TS EN ISO/IEC 17025
AB-0531-T

AB-0531-T

020 643 1 / 2016

08 / 2016

Müşterinin Adı ve Adresi / Customer's Name & Address: Akpa Alüminyum San. ve Tic. A.Ş.

Hürriyet Mah. Dr. Cemil Bengü Cad. No:6 Kağıthane / İSTANBUL / TÜRKİYE 34403

Referans No / Reference No: 2016.632

Numunenin Adı ve Tanımı / Sample's Name & Description: AKPA WD70 THERMO SERIES
WINDOW SYSTEM

Numunenin Kabul Tarihi / Receipt Date of Test Item: 14 / 07 / 2016

Uygulanan Normlar / Norms Applied: TS EN 1026, TS EN 1027, TS EN 12211

Sonuçlar / Results: Air Permeability - EN 12207 : Class 3
Watertightness - EN 12208 : Class 9A
Wind Resistance - EN 12210 : Class C3 (± 1200 Pa : for L / 300 criteria)

Test Tarihi / Date of Test
19 / 07 / 2016

Sayfa Sayısı / Number of Pages
1 / 20

Türk Akreditasyon Kurumu (TÜRKAK) deney raporlarının tanınması konusunda Avrupa Akreditasyon Birliği (EA) ve Uluslararası Laboratuvar Akreditasyon Birliği (ILAC) ile karşılıklı tanınma anlaşması imzalamıştır.

The Turkish Accreditation Agency (TURKAK) is signatory to the multilateral agreements of the European co-operation for the Accreditation (EA) and of the International Laboratory Accreditation (ILAC) for the Mutual recognition of test reports.

Uygulanan metodlar, test sonuçları ve genişletilmiş ölçüm belirsizlikleri (talep edilirse), bu sertifikanın tamamlayıcı kısmı olan takip eden sayfalarda verilmiştir. Bu sertifika yalnız test edilen numuneye ait sonuçları içerir ve ekte sunulan ilgili test raporu ile birlikte geçerlidir.

The applied methods, test results and the uncertainties (if requested) with confidence probability are given on the following pages which are part of this report. This certificate includes the test specimen which is identified above and its valid with the related test report which is presented as annex.



Mühür / Seal

Tarih / Date

01 / 08 / 2016

Test Faaliyetleri Yöneticisi

Testing Manager

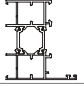
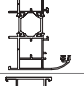
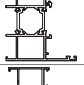
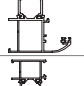
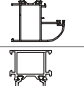
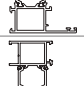
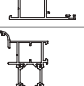

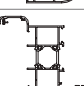
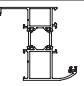
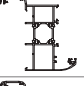
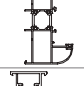
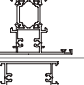
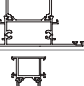
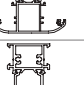
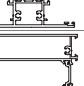
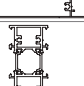
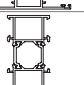
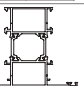



S. Çolak

F.15.22 REV NO: D TEMMUZ 2015

Laboratuvar Müdürü

Laboratory Manager

Öner ARSLAN

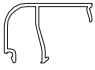









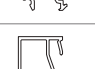





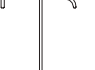


PROFİL KESİTİ PROFILE SECTION	PROFİL KODU PROFILE CODE	PROFİL ADI PROFILE NAME	Jx cm ⁴	Jy cm ⁴	AĞIRLIK (kg/m) WEIGHT
	70-7000-7001	KASA PROFİLİ FRAME PROFILE	30,45 cm ⁴	10,01 cm ⁴	1,515 kg/m
	70-7000-7002	KASA PROFİLİ FRAME PROFILE	45,11 cm ⁴	13,50 cm ⁴	1,773 kg/m
	70-7004-7005	KASA PROFİLİ FRAME PROFILE	29,32 cm ⁴	10,00 cm ⁴	1,466 kg/m
	70-7004-7006	KASA PROFİLİ FRAME PROFILE	43,08 cm ⁴	14,62 cm ⁴	1,632 kg/m
	70-7004-7007	KASA PROFİLİ FRAME PROFILE	59,56 cm ⁴	17,81 cm ⁴	1,824 kg/m
	70-8764-11886	KASA PROFİLİ FRAME PROFILE	31,88 cm ⁴	9,40 cm ⁴	1,523 kg/m
	70-6880-6879	KASA PROFİLİ FRAME PROFILE	33,08 cm ⁴	10,95 cm ⁴	1,625 kg/m
	70-7037-7001	Z KASA PROFİLİ FRAME PROFILE	71,49 cm ⁴	45,47 cm ⁴	1,786 kg/m
	70-7037-7002	Z KASA PROFİLİ FRAME PROFILE	68,34 cm ⁴	30,87 cm ⁴	2,044 kg/m
	70-7038-7005	Z KASA PROFİLİ FRAME PROFILE	46,54 cm ⁴	26,19 cm ⁴	1,737 kg/m
	70-7054-7055	Z KASA PROFİLİ FRAME PROFILE	62,24 cm ⁴	29,35 cm ⁴	2,102 kg/m
	70-7038-7006	Z KASA PROFİLİ FRAME PROFILE	63,47 cm ⁴	30,68 cm ⁴	1,902 kg/m
	70-7038-7007	Z KASA PROFİLİ FRAME PROFILE	127,91 cm ⁴	53,99 cm ⁴	2,095 kg/m
	70-7025-7024	ORTA KAYIT PROFİLİ MULLION PROFILE	34,74 cm ⁴	11,91 cm ⁴	1,664 kg/m
	70-7027-7026	ORTA KAYIT PROFİLİ MULLION PROFILE	42,93 cm ⁴	33,70 cm ⁴	1,989 kg/m
	70-7047-7046	ORTA KAYIT PROFİLİ MULLION PROFILE	58,54 cm ⁴	25,37 cm ⁴	2,129 kg/m
	70-7051-7050	ORTA KAYIT PROFİLİ MULLION PROFILE	44,96 cm ⁴	17,98 cm ⁴	2,083 kg/m
	70-7029-7028	ORTA KAYIT PROFİLİ MULLION PROFILE	56,77 cm ⁴	108,18 cm ⁴	2,542 kg/m
	70-7051-11851	ORTA KAYIT PROFİLİ MULLION PROFILE	54,14 cm ⁴	17,29 cm ⁴	1,907 kg/m
	70-8764-8763	ORTA KAYIT PROFİLİ MULLION PROFILE	35,74 cm ⁴	15,72 cm ⁴	1,680 kg/m
	70-7045-7044	ORTA KAYIT PROFİLİ MULLION PROFILE	35,00 cm ⁴	19,88 cm ⁴	1,633 kg/m
	70-7057-7056	ORTA KAYIT PROFİLİ MULLION PROFILE	44,14 cm ⁴	33,35 cm ⁴	2,011 kg/m











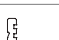

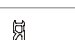

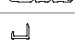
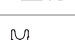
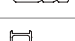


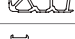

** Her profil için minimum sipariş 300 kg'dır.
** Minimum order quantity is 300 kg per profile.




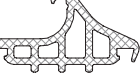
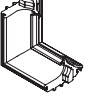

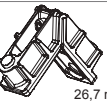
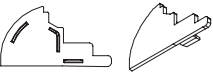
PROFİL KESİTİ PROFILE SECTION	PROFİL KODU PROFILE CODE	PROFİL ADI PROFILE NAME	Jx cm ⁴	Jy cm ⁴	AĞIRLIK (kg/m) WEIGHT
	70-8764-7175	TAKVİYELİ ORTA KAYIT PROFİLİ REINFORCED MULLION PROFILE	114,88 cm ⁴	26,56 cm ⁴	2,466 kg/m
	70-7008-7009	KANAT PROFİLİ SASH PROFILE	36,51 cm ⁴	8,85 cm ⁴	1,451 kg/m
	70-7016-7009	KANAT PROFİLİ SASH PROFILE	36,00 cm ⁴	8,84 cm ⁴	1,432 kg/m
	70-7010-7011	KANAT PROFİLİ SASH PROFILE	42,25 cm ⁴	15,91 cm ⁴	1,650 kg/m
	70-7017-7011	KANAT PROFİLİ SASH PROFILE	41,55 cm ⁴	15,89 cm ⁴	1,622 kg/m
	70-7048-7049	KANAT PROFİLİ SASH PROFILE	50,68 cm ⁴	17,65 cm ⁴	1,928 kg/m
	70-7015-7014	DIŞA AÇILIR KANAT PROFİLİ OUTWARD OPENING SASH PROFILE	50,37 cm ⁴	41,06 cm ⁴	1,970 kg/m
	70-7012-7013	KANAT PROFİLİ SASH PROFILE	55,51 cm ⁴	41,06 cm ⁴	1,970 kg/m
	70-7018-7011	PVC KANALLI KANAT PROFİLİ PVC GROOVE SASH PROFILE	42,72 cm ⁴	15,46 cm ⁴	1,678 kg/m
	70-7058-7059	PVC KANALLI KANAT PROFİLİ PVC GROOVE SASH PROFILE	48,37 cm ⁴	16,54 cm ⁴	1,860 kg/m
	70-7041-7042	PVC KANALLI KANAT PROFİLİ PVC GROOVE SASH PROFILE	40,36 cm ⁴	24,82 cm ⁴	1,834 kg/m
	70-11828-7013	PVC KANALLI KANAT PROFİLİ PVC GROOVE SASH PROFILE	53,41 cm ⁴	40,77 cm ⁴	2,008 kg/m
	70-11829-7015	PVC KANALLI KANAT PROFİLİ PVC GROOVE SASH PROFILE	51,66 cm ⁴	40,77 cm ⁴	2,007 kg/m
	70-7019-7013	PVC KANALLI KANAT PROFİLİ PVC GROOVE SASH PROFILE	52,77 cm ⁴	40,78 cm ⁴	2,015 kg/m
	70-7015-7020	DIŞA AÇILIR PVC KANALLI KANAT PROFİLİ OUTWARD OPENING PVC GROOVE SASH PROFILE	51,17 cm ⁴	40,78 cm ⁴	2,015 kg/m
	70-7010-11824	KANAT PROFİLİ SASH PROFILE	40,50 cm ⁴	13,24 cm ⁴	1,570 kg/m
	70-7017-11824	KANAT PROFİLİ SASH PROFILE	41,55 cm ⁴	15,89 cm ⁴	1,537 kg/m
	70-7015-11826	KANAT PROFİLİ SASH PROFILE	49,05 cm ⁴	36,17 cm ⁴	1,860 kg/m
	70-7012-11825	KANAT PROFİLİ SASH PROFILE	53,41 cm ⁴	40,77 cm ⁴	1,880 kg/m
	70-11828-11825	KANAT PROFİLİ SASH PROFILE	51,62 cm ⁴	36,06 cm ⁴	1,930 kg/m
	70-11927-7031	ADAPTÖR PROFİLİ ADAPTER PROFILE	-	-	1,329 kg/m
	70-11927-11827	ADAPTÖR PROFİLİ ADAPTER PROFILE	-	-	1,289 kg/m

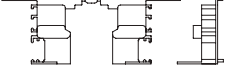
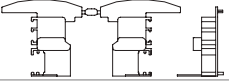



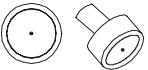
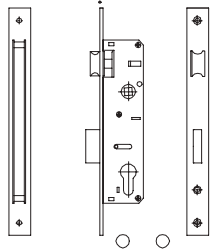
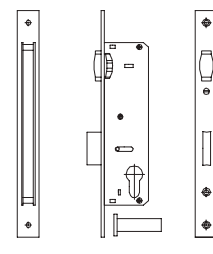
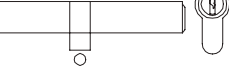
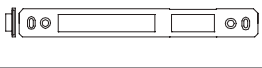

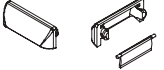
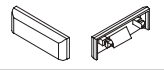

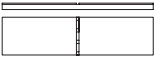
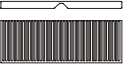

** Her profil için minimum sipariş 300 kg'dır.
** Minimum order quantity is 300 kg per profile.

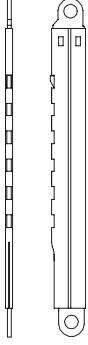

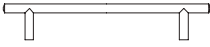
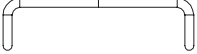
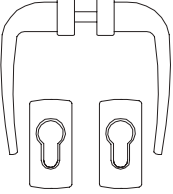
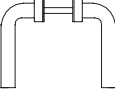

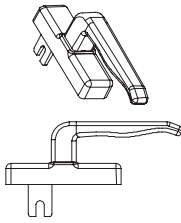
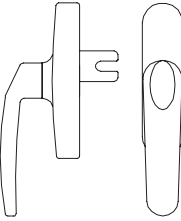
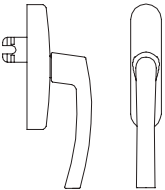
PROFİL KESİTİ PROFILE SECTION	PROFİL KODU PROFILE CODE	PROFİL ADI PROFILE NAME	Jx cm ⁴	Jy cm ⁴	AĞIRLIK (kg/m) WEIGHT
	70-11926-11827	ADAPTÖR PROFİLİ ADAPTER PROFILE	-	-	1,279 kg/m
	70-11926-7031	ADAPTÖR PROFİLİ ADAPTER PROFILE	-	-	1,340 kg/m
	70-10629-10628	DIŞA AÇILIR ADAPTÖR PROFİLİ OUTWARD OPENING ADAPTER PROFILE	-	-	1,322 kg/m
	8241	TİJ PROFİLİ STEM BAR PROFILE	-	-	0,099 kg/m
	7021	DAMLALIK PROFİLİ DROPPER PROFILE	-	-	0,140 kg/m
	1011	DAMLALIK PROFİLİ DROPPER PROFILE	-	-	0,402 kg/m
	12375	İÇE AÇILIR DAMLALIK PROFİLİ INWARD OPENING DROPPER PROFILE	-	-	0,326 kg/m
	10923	KANAT ALTI KAPAMA PROFİLİ SUP-SASH COVER PROFILE	-	-	0,295 kg/m
	4242	DAMLALIK PROFİLİ DROPPER PROFILE	-	-	0,094 kg/m
	70-7030-7028	ETEK PROFİLİ BOTTOM PROFILE	-	-	2,647 kg/m
	70-12096-7030	ETEK PROFİLİ BOTTOM PROFILE	-	-	2,697 kg/m
	70-1734-1735	KÖŞE DÖNÜŞ PROFİLİ CORNER PROFILE	32,51 cm ⁴	26,21 cm ⁴	1,481 kg/m
	55-1734-1735	KÖŞE DÖNÜŞ PROFİLİ CORNER PROFILE	22,53 cm ⁴	21,83 cm ⁴	1,465 kg/m
	7180	ADAPTÖR PROFİLİ ADAPTER PROFILE	-	-	0,244 kg/m
	70-7178-7179	KAPI ALTI EŞİK PROFİLİ DOOR THRESHOLD PROFILE	-	-	1,019 kg/m
	70-7033-7035	KÖŞE DÖNÜŞ PROFİLİ CORNER PROFILE	62,35 cm ⁴	62,35 cm ⁴	1,894 kg/m
	70-7033-7034	KÖŞE DÖNÜŞ PROFİLİ CORNER PROFILE	26,72 cm ⁴	26,72 cm ⁴	1,531 kg/m
	7060	ORTA KAYIT BAĞLANTI PROFİLİ MULLION CONNECTION PROFILE	-	-	1,007 kg/m
	3537	CAM ÇITASI GLAZING BEAD	-	-	0,367 kg/m
	1749	CAM ÇITASI GLAZING BEAD	-	-	0,356 kg/m
	1747	CAM ÇITASI GLAZING BEAD	-	-	0,340 kg/m

PROFİL KESİTİ PROFILE SECTION	PROFİL KODU PROFILE CODE	PROFİL ADI PROFILE NAME	Jx cm ⁴	Jy cm ⁴	AĞIRLIK (kg/m) WEIGHT
	1750	CAM ÇITASI GLAZING BEAD	-	-	0,342 kg/m
	1748	CAM ÇITASI GLAZING BEAD	-	-	0,327 kg/m
	3636	CAM ÇITASI GLAZING BEAD	-	-	0,321 kg/m
	1966	CAM ÇITASI GLAZING BEAD	-	-	0,314 kg/m
	2236	CAM ÇITASI GLAZING BEAD	-	-	0,310 kg/m
	1949	CAM ÇITASI GLAZING BEAD	-	-	0,306 kg/m
	5527	CAM ÇITASI GLAZING BEAD	-	-	0,293 kg/m
	1745	CAM ÇITASI GLAZING BEAD	-	-	0,292 kg/m
	1746	CAM ÇITASI GLAZING BEAD	-	-	0,279 kg/m
	5546	CAM ÇITASI GLAZING BEAD	-	-	0,271 kg/m
	3536	CAM ÇITASI GLAZING BEAD	-	-	0,329 kg/m
	1698	CAM ÇITASI GLAZING BEAD	-	-	0,270 kg/m
	1699	CAM ÇITASI GLAZING BEAD	-	-	0,285 kg/m
	1948	CAM ÇITASI GLAZING BEAD	-	-	0,235 kg/m
	3539	CAM ÇITASI GLAZING BEAD	-	-	0,277 kg/m
	676	CAM ÇITASI GLAZING BEAD	-	-	0,331 kg/m
	7043	CAM ÇITASI GLAZING BEAD	-	-	0,366 kg/m
	1121	T BAĞLANTI PROFİLİ T CONNECTION PROFILE	-	-	0,232 kg/m
	1035	T BAĞLANTI PROFİLİ T CONNECTION PROFILE	-	-	0,239 kg/m
	1139	T BAĞLANTI PROFİLİ T CONNECTION PROFILE	-	-	0,239 kg/m
	1123	T BAĞLANTI PROFİLİ T CONNECTION PROFILE	-	-	0,355 kg/m

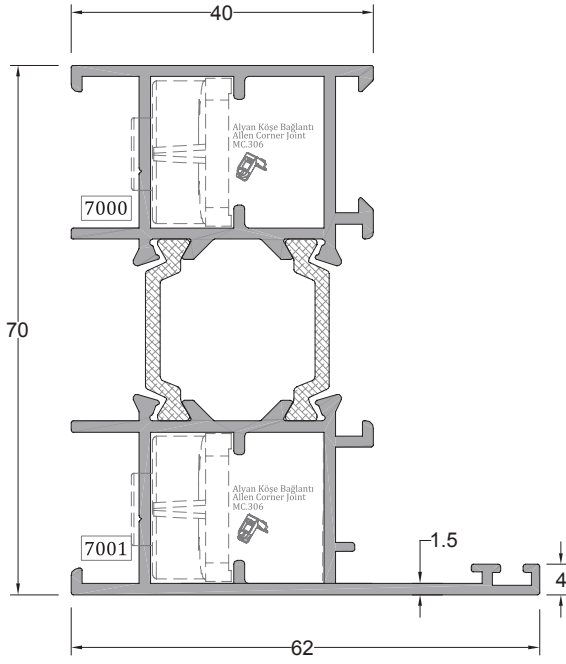
PROFİL KESİTİ PROFILE SECTION	PROFİL KODU PROFILE CODE	PROFİL ADI PROFILE NAME	Jx cm ⁴	Jy cm ⁴	AĞIRLIK (kg/m) WEIGHT
	5788	T BAĞLANTI PROFİLİ T CONNECTION PROFILE	-	-	0,205 kg/m
	6414	T BAĞLANTI PROFİLİ T CONNECTION PROFILE	-	-	0,175 kg/m
	3917	T BAĞLANTI PROFİLİ T CONNECTION PROFILE	-	-	0,162 kg/m
	3832	T BAĞLANTI PROFİLİ T CONNECTION PROFILE	-	-	0,175 kg/m
	3818	T BAĞLANTI PROFİLİ T CONNECTION PROFILE	-	-	0,210 kg/m
	7039	T BAĞLANTI PROFİLİ T CONNECTION PROFILE	-	-	0,260 kg/m
	6414	T BAĞLANTI PROFİLİ T CONNECTION PROFILE	-	-	0,175 kg/m
	5788	T BAĞLANTI PROFİLİ T CONNECTION PROFILE	-	-	0,205 kg/m
	10012	PERVAZ PROFİLİ SILL PROFILE	-	-	0,805 kg/m
	553	PERVAZ PROFİLİ SILL PROFILE	-	-	0,656 kg/m
	413	KÖŞE TAKOZ PROFİLİ CORNER WEDGE PROFILE	-	-	3,666 kg/m
	5022	KÖŞE TAKOZ PROFİLİ CORNER WEDGE PROFILE	-	-	2,370 kg/m
	1662	KÖŞE TAKOZ PROFİLİ CORNER WEDGE PROFILE	-	-	2,591 kg/m
	7022	KÖŞE TAKOZ PROFİLİ CORNER WEDGE PROFILE	-	-	3,952 kg/m
	3088	KÖŞE TAKOZ PROFİLİ CORNER WEDGE PROFILE	-	-	2,608 kg/m
	1661	KÖŞE TAKOZ PROFİLİ CORNER WEDGE PROFILE	-	-	3,688 kg/m
	1663	KÖŞE TAKOZ PROFİLİ CORNER WEDGE PROFILE	-	-	3,526 kg/m
	3698	KÖŞE TAKOZ PROFİLİ CORNER WEDGE PROFILE	-	-	4,241 kg/m
	1664	KÖŞE TAKOZ PROFİLİ CORNER WEDGE PROFILE	-	-	3,991 kg/m
	3546	KÖŞE TAKOZ PROFİLİ CORNER WEDGE PROFILE	-	-	3,357 kg/m
	7040	KÖŞE TAKOZ PROFİLİ CORNER WEDGE PROFILE	-	-	3,398 kg/m

AKSESUAR ACCESSORY	STOK KODU REFERENCE CODE	AKSESUAR ADI DESCRIPTION	AKSESUAR KODU PRODUCT CODE	PAKET PACK
	03 010438	KASA KANAT FİTİLİ FRAME GASKET	WD70T-KBF.70	303 mt / paket 10 kg
	03 070124	DIŞ CAM FİTİLİ OUTER GLAZING GASKET	WD70T-DCF.75	150 mt / paket 10 kg
	03 070122	DIŞ CAM FİTİLİ OUTER GLAZING GASKET	WD70T-DCF.73	196 mt / paket 10 kg
	03 011230	İÇ CAM FİTİLİ INNER GLAZING GASKET	WD70T-İCF.30	330 mt / paket 10 kg
	03 011231	İÇ CAM FİTİLİ INNER GLAZING GASKET	WD70T-İCF.40	205 mt / paket 10 kg
	03 010732	İÇ CAM FİTİLİ INNER GLAZING GASKET	WD70T-İCF.50	175 mt / paket 10 kg
	03 011236	İÇ CAM FİTİLİ INNER GLAZING GASKET	WD70T-İCF.23	210 mt / paket 10 kg
	03 011237	İÇ CAM FİTİLİ INNER GLAZING GASKET	WD70T-İCF.45	255 mt / paket 10 kg
	03 011036	ORTA BİNİ FİTİLİ MIDDLE GASKET	WD70T-OBF.70	40 mt / paket 10 kg
	03 070304	VULKANİZE KÖŞE BAĞLANTI VULCANIZED CORNER CONNECTION	WD70T-KVF.70	1 pk / 20 ad
 10,6 mm x 19 mm	01 130306	ALYAN KÖŞE BAĞLANTI ALLEN CORNER JOINT	WD70T-MC.306	1 pk / 250 ad
 10,5 mm x 26 mm	01 130307	ALYAN KÖŞE BAĞLANTI ALLEN CORNER JOINT	WD70T-MC.307	1 pk / 250 ad
 26,4 mm x 13,9 mm	01 130338	ALYAN KÖŞE BAĞLANTI ALLEN CORNER JOINT	WD70T-MC.338	1 pk / 250 ad
 26,7 mm x 22,4 mm	01 130339	ALYAN KÖŞE BAĞLANTI ALLEN CORNER JOINT	WD70T-MC.339	1 pk / 250 ad
 26,2 mm x 22,5 mm	01 130336	ALYAN KÖŞE BAĞLANTI ALLEN CORNER JOINT	WD70T-MC.336	1 pk / 250 ad
 26,7 mm x 42,7 mm	01 130337	ALYAN KÖŞE BAĞLANTI ALLEN CORNER JOINT	WD70T-MC.337	1 pk / 100 ad
	01 130318	KÖŞE GÖNYE CORNER BRACKET	WD70T-KG.318	1 pk / 1000 ad
	01 130314	KÖŞE ÇAVUŞU CORNER CONNECTION	WD70T-FJ.314	1 pk / 250 ad
	01 110400	DAMLALIK KAPAK DROPPER COVER	WD70T-DK.50	1 pk / 1 Tk

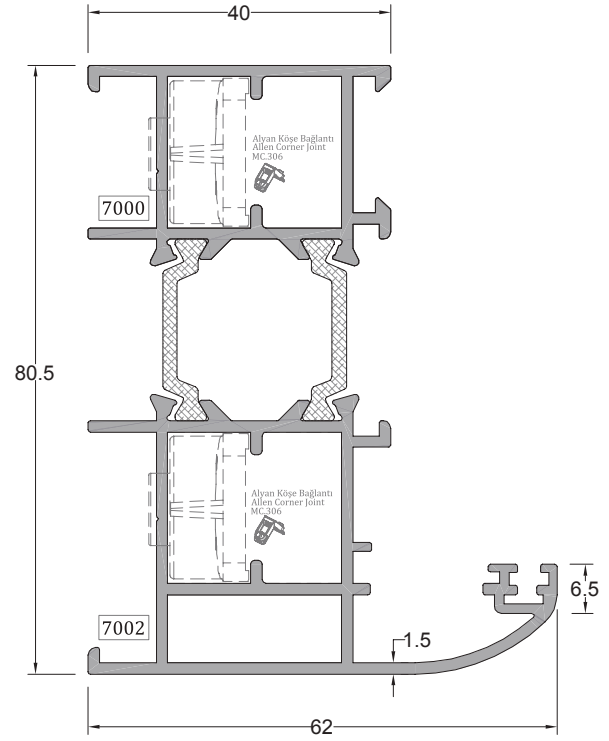
AKSESUAR ACCESSORY	STOK KODU REFERENCE CODE	AKSESUAR ADI DESCRIPTION	AKSESUAR KODU PRODUCT CODE	PAKET PACK
	01 110252	SİSTEM WD70T ADAPTÖR KAPAĞI DÜZ ADAPTER COVER	WD70T-ADK.252	1 pk / 10 TK
	01 110250	SİSTEM WD70T ADAPTÖR KAPAĞI OVAL ADAPTER COVER	WD70T-ADK.250	1 pk / 10 TK
	01 120201	AYARLI İSPANYOLET KARŞILIĞI (SETSKURLU) ESPAÑOLETTE STRIKER (PINNED)	WD70T-TPK.201	1 pk / 100 ad
	01 120200	AYARLI İSPANYOLET KARŞILIĞI (VİDALI) ESPAÑOLETTE STRIKER (SCREWED)	WD70T-TPK.200	1 pk / 100 ad
	01 120217	PVC KANALLI İSPANYOLET KARŞILIĞI PVC GROOVE ESPAÑOLETTE(SCREWED)	WD70T-PK.217	1 pk / 100 ad
	01 120100	İSPANYOLET PİMİ ESPAÑOLETTE PIN	WD70T-TP.100	1 pk / 100 ad
	05 010401	153 35 DİLLİ KİLİT BOLT LOCK	WD70T-DK.401	1 pk / 30 ad
	05 010405	155 35 MAKARALI KİLİT ROLLED LOCK	WD70T-MK.405	1 pk / 30 ad
	05 011106	96 MM BAREL (ASİMETRİK) 96 MM CYLINDER (ASYMMETRIC)	WD70T-BR.106	1 pk / 24 ad
	01 060210	OVAL SERİ KİLİT KARŞILIĞI (DİLLİ) OVAL SERIES LOCK STRIKER (ROLLER)	WD70T-KK.210	1 pk / 50 ad
	01 060211	OVAL SERİ KİLİT KARŞILIĞI (MAKARALI) OVAL SERIES LOCK STRIKER (BOLT)	WD70T-KK.211	1 pk / 50 ad
	04 010115	SABİT PERDELİ YAĞMUR TAHLİYE KAPAK WATER DRAIN COVER (FIXED)	WD70T-TK.115	1 pk / 1000 ad
	04 010112	HAREKETLİ PERDELİ YAĞMUR TAHLİYE KAPAK WATER DRAIN COVER (MOVEABLE)	WD70T-TK.112	1 pk / 1000 ad
	01 150200	ALÜMİNYUM KAPI ALTI FIRÇASI ALUMINIUM DOORBASE BRUSH	WD70T-KF.200	1 pk / 100 ad
	06 140203	CAM TAKOZU (3X20X80 mm) GLAZING WEDGE 3mm	WD70T-CT.203	1 pk / 1000 ad
	06 140210	CAM TAKOZU (5X28X80 mm) GLAZING WEDGE 5mm	WD70T-CT.210	1 pk / 1000 ad
	06 140208	CAM TAKOZU (5X20X80 mm) GLAZING WEDGE 5mm	WD70T-CT.208	1 pk / 1000 ad

AKSESUAR ACCESSORY	STOK KODU REFERENCE CODE	AKSESUAR ADI DESCRIPTION	AKSESUAR KODU PRODUCT CODE	PAKET PACK
	01 081000	AYARLI KADEMELİ MAKAS (5 KADEME) ADJUSTABLE TRUSS	WD70T-KM.1000	1 pk / 10 ad
	01 081001	AYARLI KADEMELİ MAKAS (3 KADEME) ADJUSTABLE TRUSS	WD70T-KM.1001	1 pk / 10 ad
	01 051101	U KOL (ELOKSALLI) U-SHAPED HANDLE (ANODIZED)	WD70T-UK.101	1 pk / 10 ad
	01 031309	H KOL (ELOKSALLI) H-SHAPED HANDLE (ANODIZED)	WD70T-HK.309	1 pk / 10 ad
	01 030401	KIVRIK KOL (ELOKSALLI) CONVOLUTED HANDLE (ANODIZED)	WD70T-VK.401	1 pk / 10 ad
	01 040902	FORZA KAPI KOLU(BEYAZ) FORZA DOOR HANDLE(WHITE)	WD70T-FK.902	1 pk / 10 ad
	01 040903	FORZA KAPI KOLU(RENKLİ) FORZA DOOR HANDLE(COLOURED)	WD70T-FK.903	1 pk / 10 ad
	01 040904	FORZA KAPI KOLU(NATUREL) FORZA DOOR HANDLE(NATURAL)	WD70T-FK.904	1 pk / 10 ad
	01 040104	YAYLI SOSİS KOL SPRING DOOR HANDLE	WD70T-YK.104	1 pk / 50 ad
	01 040109	YAYLI SOSİS KOL BAREL ROZETİ SPRING DOOR HANDLE CYLINDER BADGE	WD70T-BR.109	1 pk / 2 ad
	01 020810	FORZA EKSENEL KOL YENİ(NATUREL) FORZA NEW AXIAL HANDLE(NATURAL)	WD70T-EK.810	1 pk / 50 ad
	01 020811	FORZA EKSENEL KOL YENİ(BEYAZ) FORZA NEW AXIAL HANDLE(WHITE)	WD70T-EK.811	1 pk / 50 ad
	01 020812	FORZA EKSENEL KOL YENİ(RENKLİ) FORZA NEW AXIAL HANDLE(COLOURED)	WD70T-EK.812	1 pk / 50 ad
	01 020702	FORZA EKSENEL PENCERE KOL(BEYAZ) FORZA AXIAL WINDOW HANDLE(WHITE)	WD70T-FPK.702	1 pk / 20 ad
	01 020703	FORZA EKSENEL PENCERE KOL(RENKLİ) FORZA AXIAL WINDOW HANDLE(COLOURED)	WD70T-FPK.703	1 pk / 20 ad
	01 020803	FORZA EKSENEL PENCERE KOL(NATUREL) FORZA WINDOW AXIAL HANDLE (NATURAL)	WD70T-FPK.803	1 pk / 20 ad
	01 020601	EKSENEL KOL ROTO(ELOKSALLI) ROTO AXIAL HANDLE(ANODIZED)	WD70T-RK.601	1 pk / 10 ad
	01 020604	EKSENEL KOL ROTO(ELOKSALLI KİLİTLİ) ROTO AXIAL HANDLE(ANODIZED LOCKED)	WD70T-RK604	1 pk / 10 ad

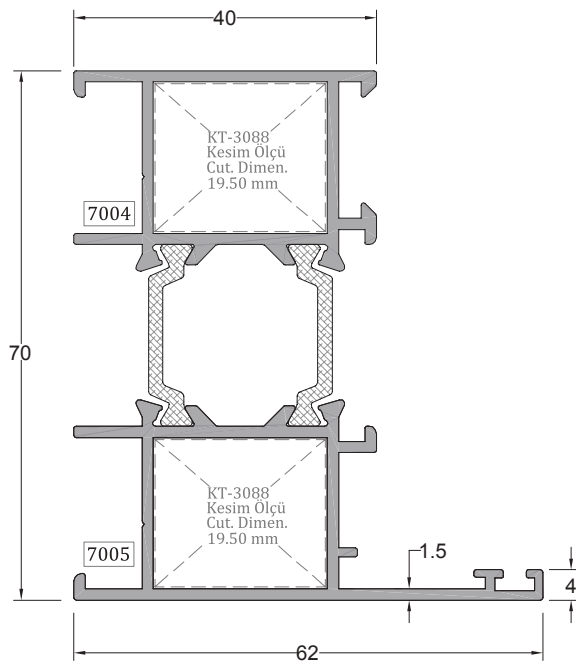
AKSESUAR ACCESSORY	STOK KODU REFERENCE CODE	AKSESUAR ADI DESCRIPTION	AKSESUAR KODU PRODUCT CODE	PAKET PACK
	01 081702	SİSTEM AYARLI VASİSTAS ÇARPMA(NATUREL) SYSTEM TRANSOM CATCH (NATUREL)	WD70T-VÇ.702	1 pk / 100 ad
	01 081703	SİSTEM AYARLI VASİSTAS ÇARPMA(BEYAZ) SYSTEM TRANSOM CATCH (WHITE)	WD70T-VÇ.703	1 pk / 100 ad
	01 081704	SİSTEM AYARLI VASİSTAS ÇARPMA(RENKLİ) SYSTEM TRANSOM CATCH (COLORED)	WD70T-VÇ.704	1 pk / 100 ad
	01 011301	OVAL SERİ PENCERE MENTEŞE (ELOKSALLI) OVAL SERIES WINDOW HINGE (ANODIZED)	WD70T-PM.301	1 pk / 10 ad
	01 011302	OVAL SERİ PENCERE MENTEŞE (BEYAZ) OVAL SERIES WINDOW HINGE (WHITE)	WD70T-PM.302	1 pk / 10 ad
	01 011303	OVAL SERİ PENCERE MENTEŞE (RENKLİ) OVAL SERIES WINDOW HINGE (COLORED)	WD70T-PM.303	1 pk / 10 ad
	01 011601	OVAL SERİ KAPI MENTEŞE (ELOKSALLI) OVAL SERIES DOOR HINGE (ANODIZED)	WD70T-KM.601	1 pk / 10 ad
	01 011602	OVAL SERİ KAPI MENTEŞE (BEYAZ) OVAL SERIES DOOR HINGE (WHITE)	WD70T-KM.602	1 pk / 10 ad
	01 011603	OVAL SERİ KAPI MENTEŞE (RENKLİ) OVAL SERIES DOOR HINGE (COLORED)	WD70T-PM.603	1 pk / 10 ad
	01 090650	PVC KANALLI TEK AÇILIM MENTEŞE (9/18) PVC GROOVED CASEMENT HIGE (9/18)	WD70T-PM.650	1 pk / 100 ad
	01 090680	PVC KANALLI ÇİFT AÇILIM MENTEŞE TAKIMI (9/18) PVC GROOVED TILT&TURN SET (9/18)	WD70T-PMT.680	1 pk / 100 ad
	01 080301	SİSTEM 13 CM VASİSTAS MAKAS (ELOKSALLI) SYSTEM 13 CM TRANSOM TRUSS (ANODIZED)	WD70T-VM.301	1 pk / 50 ad
	01 080302	SİSTEM 13 CM VASİSTAS MAKAS (BEYAZ) SYSTEM 13 CM TRANSOM TRUSS (WHITE)	WD70T-VM.302	1 pk / 50 ad
	01 080303	SİSTEM 13 CM VASİSTAS MAKAS (RENKLİ) SYSTEM 13 CM TRANSOM TRUSS (COLORED)	WD70T-VM.303	1 pk / 50 ad
	01 080401	SİSTEM 22 CM VASİSTAS MAKAS (ELOKSALLI) SYSTEM 22 CM TRANSOM TRUSS (ANODIZED)	WD70T-VM.401	1 pk / 50 ad
	01 080402	SİSTEM 22 CM VASİSTAS MAKAS (BEYAZ) SYSTEM 22 CM TRANSOM TRUSS (WHITE)	WD70T-VM.402	1 pk / 50 ad
	01 080403	SİSTEM 22 CM VASİSTAS MAKAS (RENKLİ) SYSTEM 22 CM TRANSOM TRUSS (COLORED)	WD70T-VM.403	1 pk / 50 ad



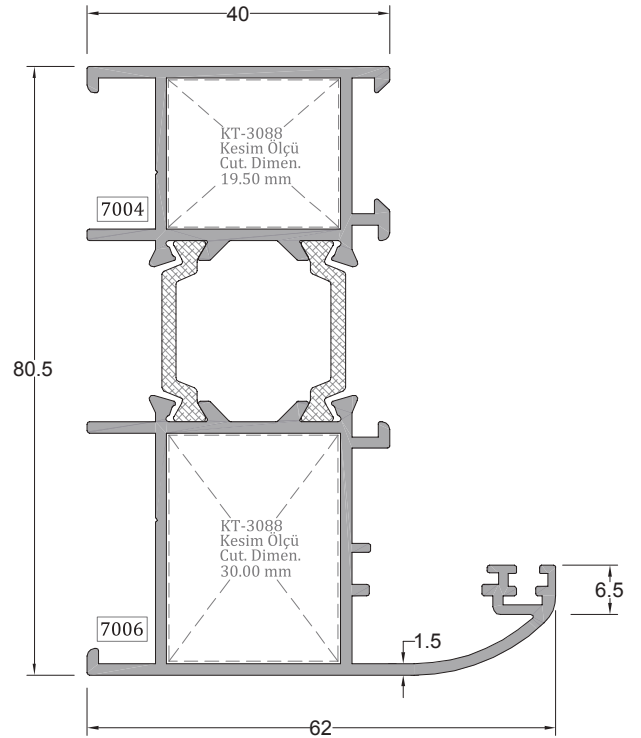
Kasa Profili FRAME PROFILE	Profil Kodu Profile Code	(kg/mt) Weight	Jx cm ⁴	Jy cm ⁴
	70-7000-7001	1,515	30,45	10,01



Kasa Profili FRAME PROFILE	Profil Kodu Profile Code	(kg/mt) Weight	Jx cm ⁴	Jy cm ⁴
	70-7000-7002	1,773	45,11	13,50

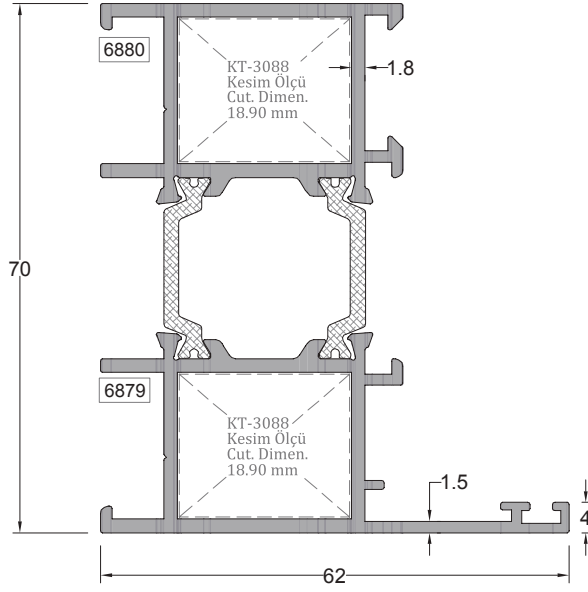


Kasa Profili FRAME PROFILE	Profil Kodu Profile Code	(kg/mt) Weight	Jx cm ⁴	Jy cm ⁴
	70-7004-7005	1,466	29,32	10,00

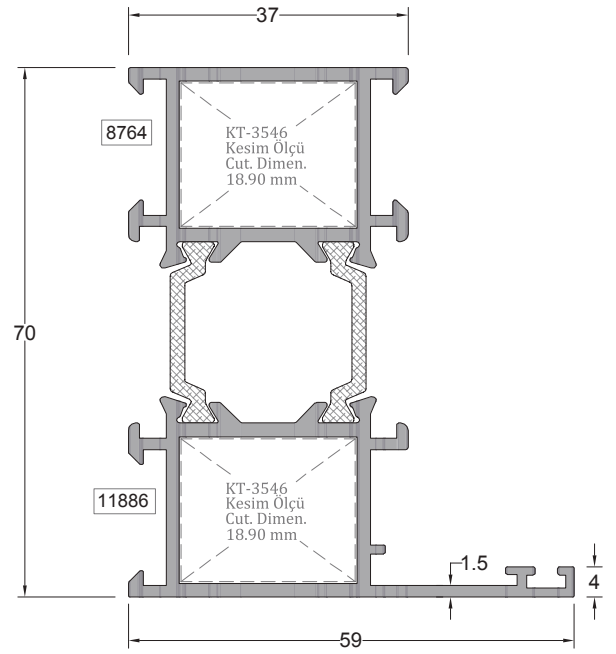


Kasa Profili FRAME PROFILE	Profil Kodu Profile Code	(kg/mt) Weight	Jx cm ⁴	Jy cm ⁴
	7004-7006	1,632	43,08	14,62

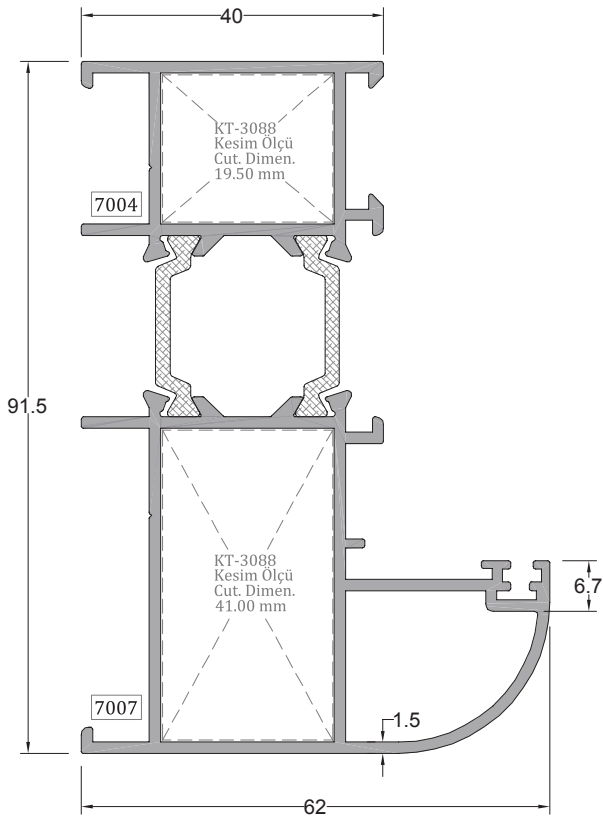
** Her profil için minimum sipariş 300 kg'dır.
** Minimum order quantity is 300 kg per profile.



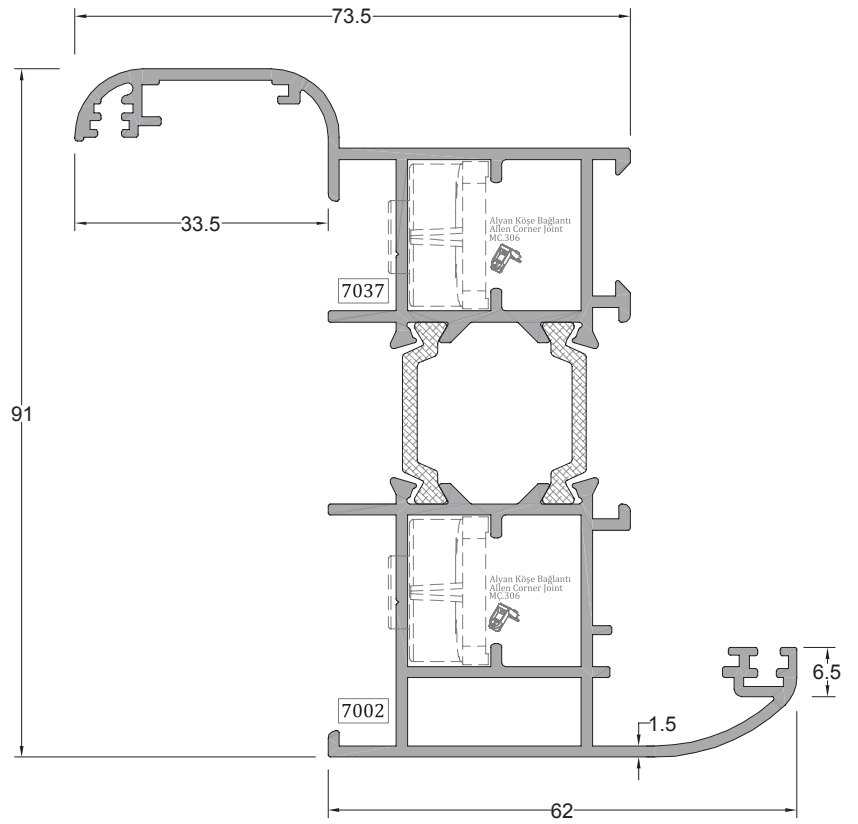
Kasa Profili FRAME PROFILE	Profil Kodu Profile Code	(kg/mt) Weight	Jx cm ⁴	Jy cm ⁴
	70-6880-6879	1,625	33,08	10,95



Kasa Profili FRAME PROFILE	Profil Kodu Profile Code	(kg/mt) weight	Jx cm ⁴	Jy cm ⁴
	70-8764-11886	1,523	31,88	9,40

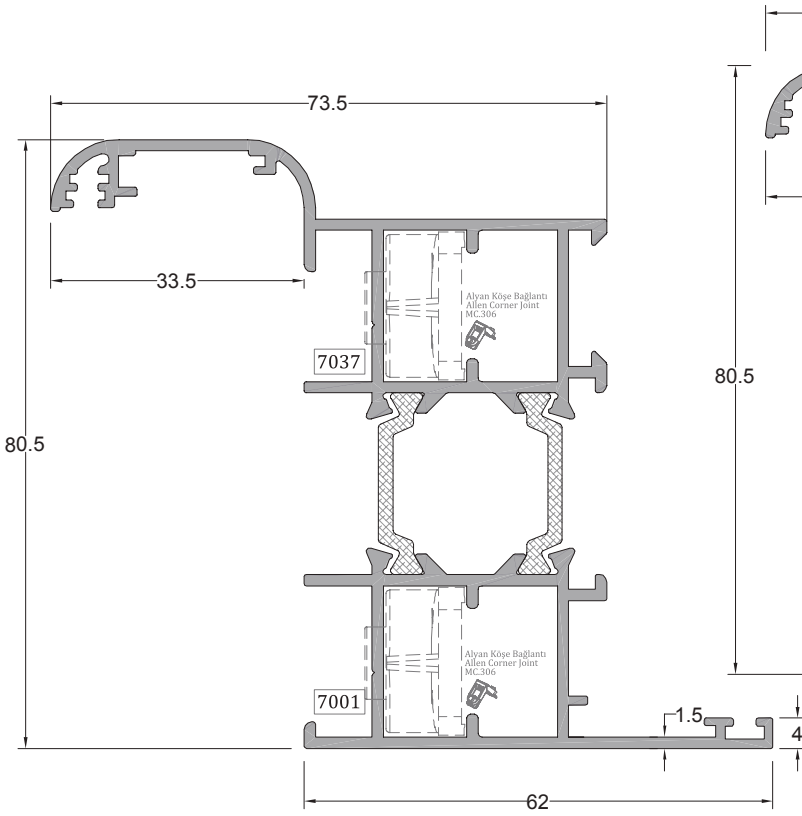


Kasa Profili FRAME PROFILE	Profil Kodu Profile Code	(kg/mt) Weight	Jx cm ⁴	Jy cm ⁴
	70-7004-7007	1,824	59,56	17,81

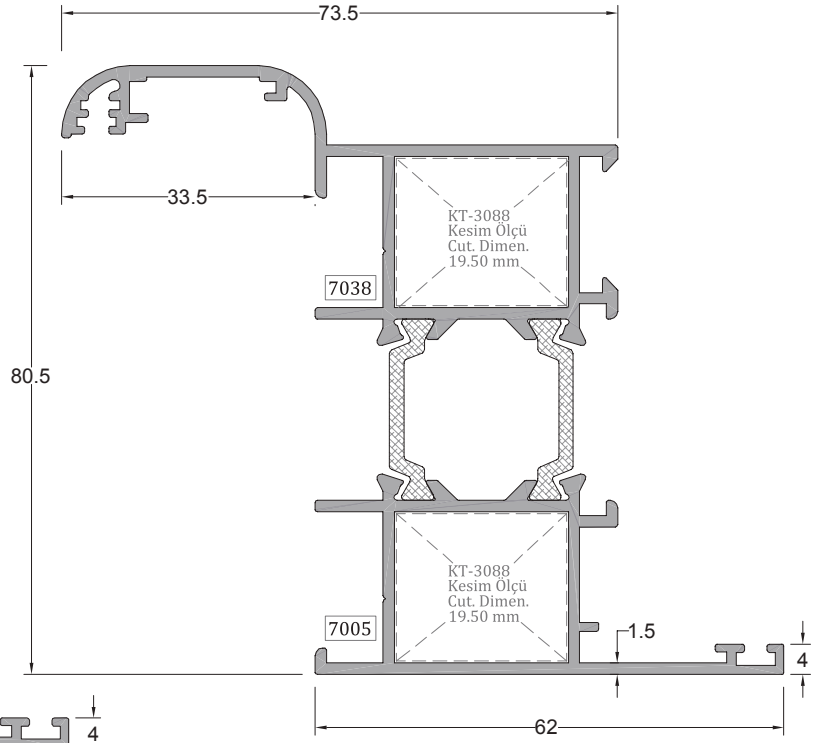


Z Kasa Profili FRAME PROFILE	Profil Kodu Profile Code	(kg/mt) Weight	Jx cm ⁴	Jy cm ⁴
	70-7037-7002	2,044	68,34	30,87

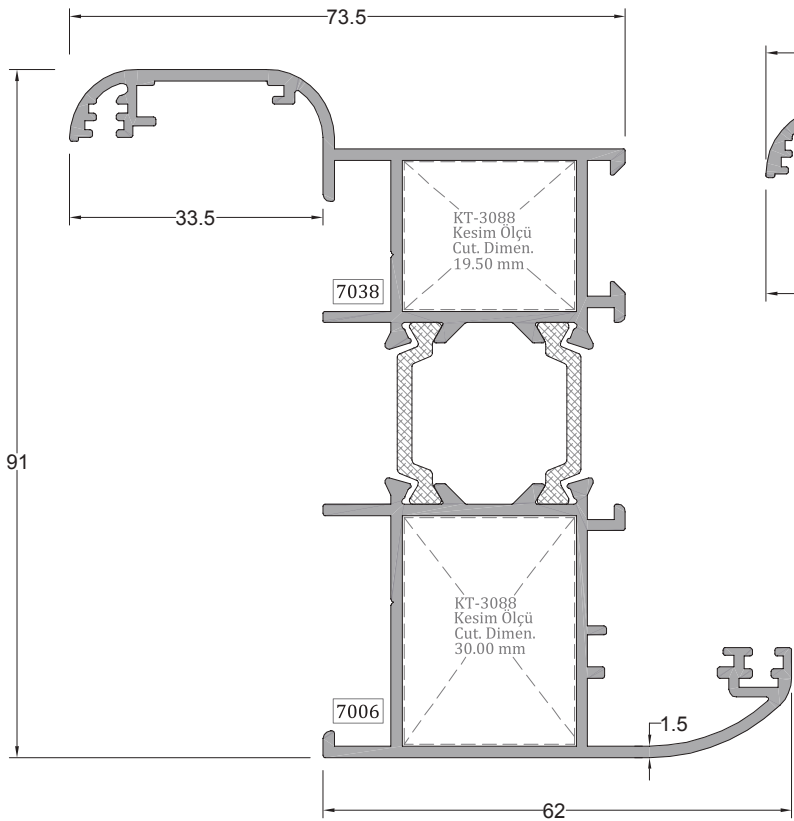
** Her profil için minimum sipariş 300 kg'dır.
** Minimum order quantity is 300 kg per profile.



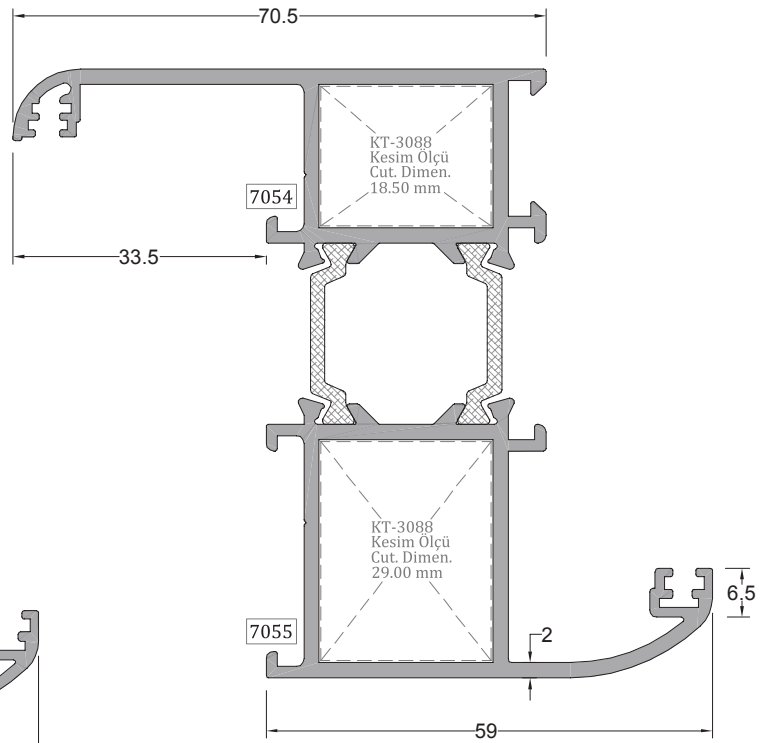
Z Kasa Profili FRAME PROFILE	Profil Kodu Profile Code	(kg/mt) Weight	Jx cm ⁴	Jy cm ⁴
	70-7037-7001	1,786	71,49	45,47



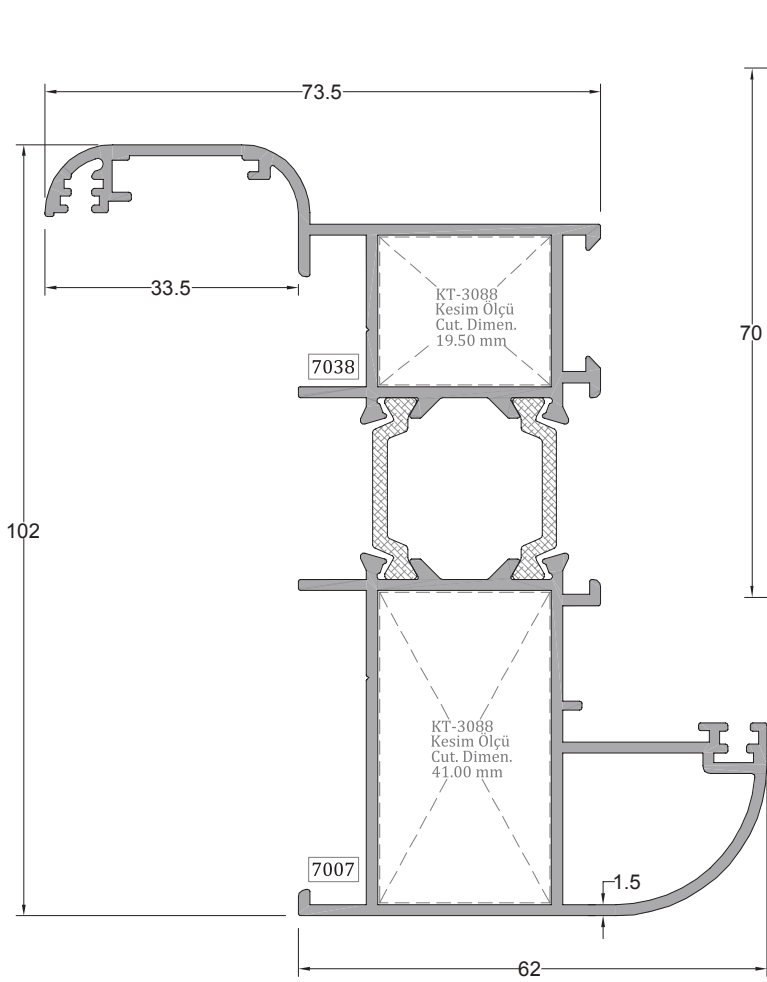
Z Kasa Profili FRAME PROFILE	Profil Kodu Profile Code	(kg/mt) Weight	Jx cm ⁴	Jy cm ⁴
	70-7038-7005	1,737	46,54	26,19



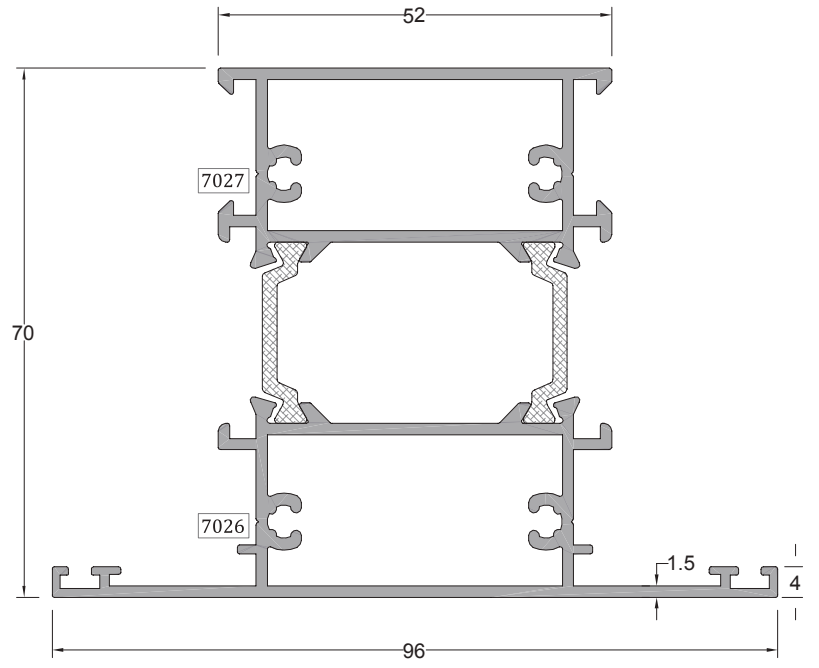
Z Kasa Profili FRAME PROFILE	Profil Kodu Profile Code	(kg/mt) Weight	Jx cm ⁴	Jy cm ⁴
	70-7038-7006	1,902	63,47	30,68



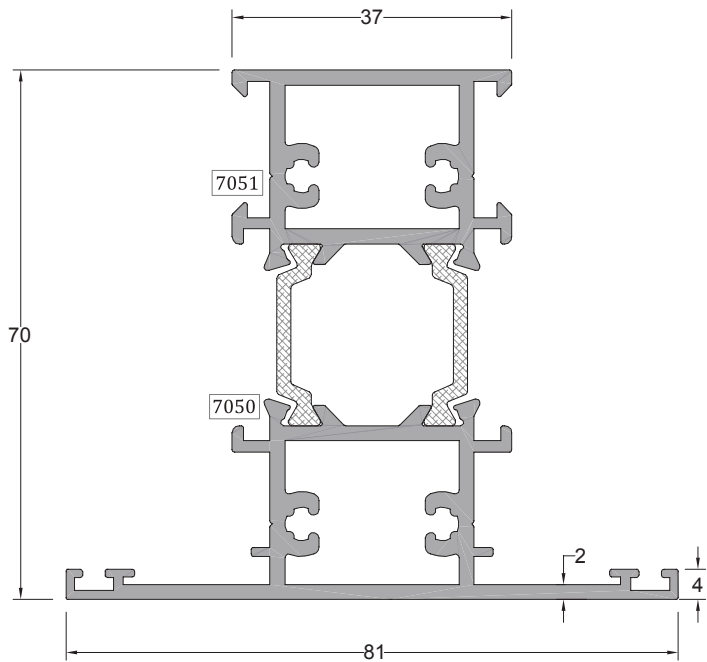
Z Kasa Profili FRAME PROFILE	Profil Kodu Profile Code	(kg/mt) Weight	Jx cm ⁴	Jy cm ⁴
	70-7054-7055	2,102	62,24	29,35



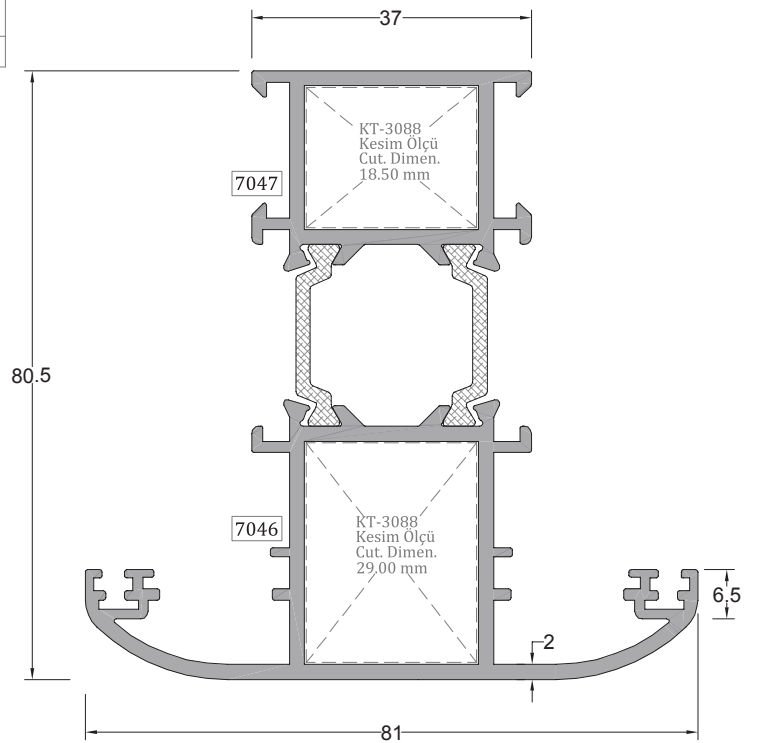
Z Kasa Profili FRAME PROFILE	Profil Kodu Profile Code	(kg/mt) Weight	Jx cm ⁴	Jy cm ⁴
	70-7038-7007	2,095	127,91	53,99



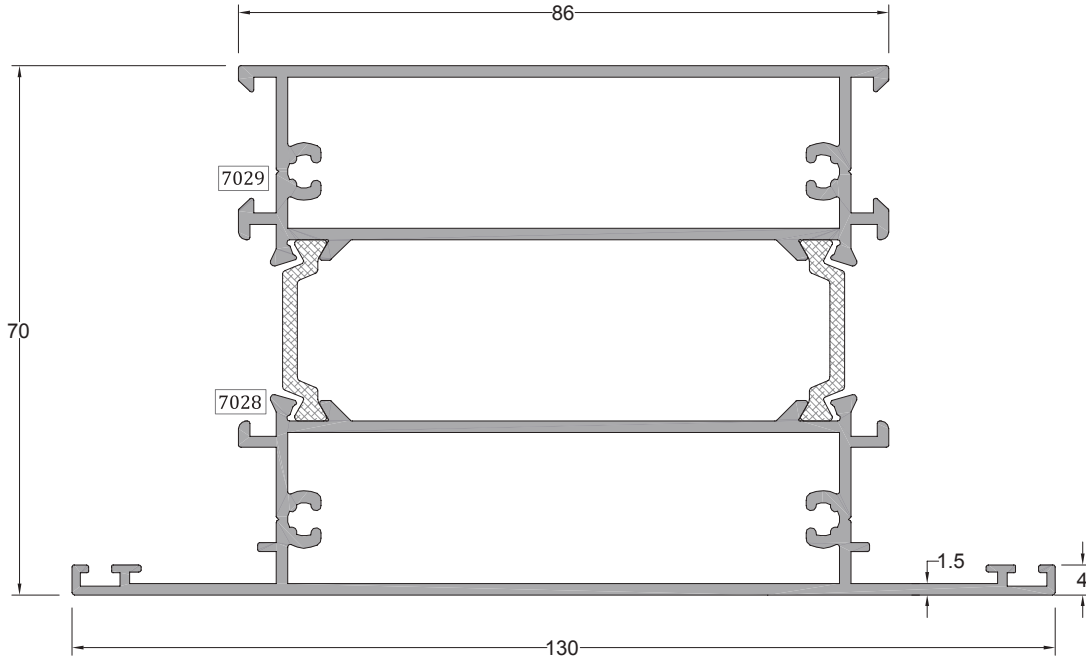
Orta Kayıt Profili MULLION PROFILE	Profil Kodu Profile Code	(kg/mt) Weight	Jx cm ⁴	Jy cm ⁴
	70-7027 -7026	1.989	42,93	33,70



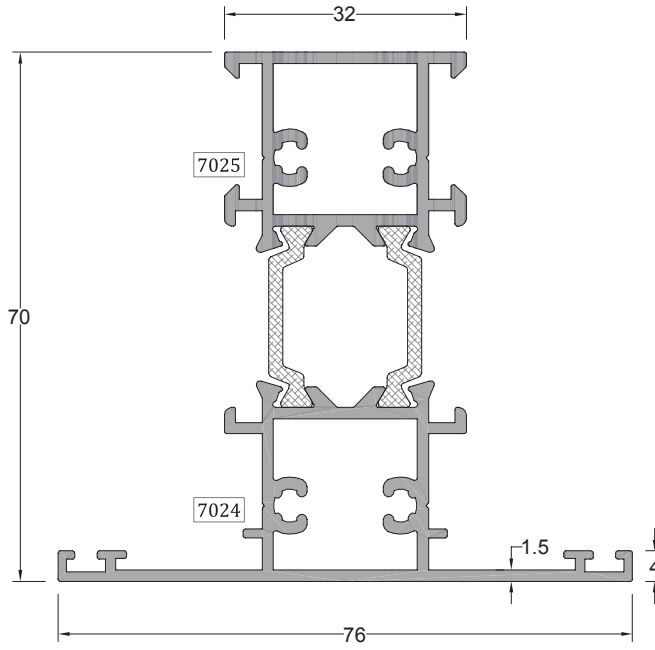
Orta Kayıt Profili MULLION PROFILE	Profil Kodu Profile Code	(kg/mt) Weight	Jx cm ⁴	Jy cm ⁴
	70-7051-7050	2,083	44,96	17,98



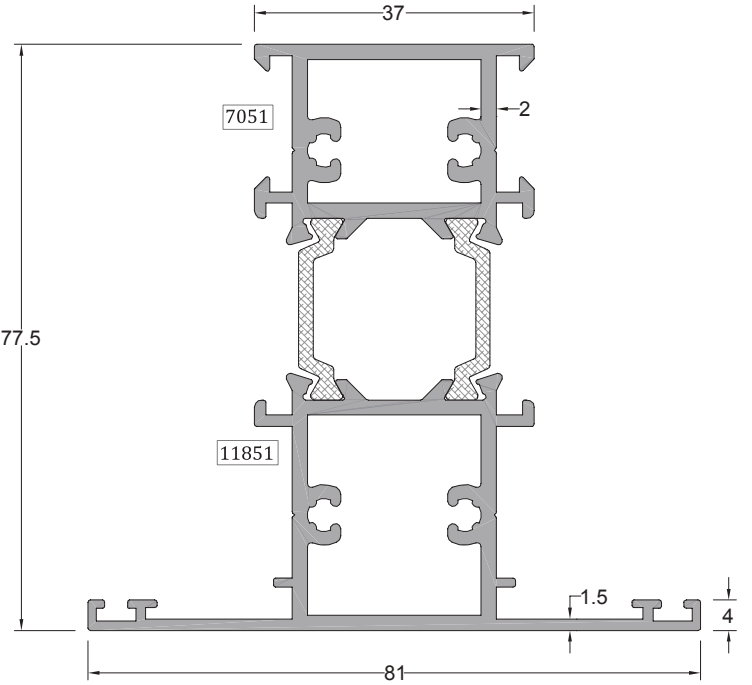
Orta Kayıt Profili MULLION PROFILE	Profil Kodu Profile Code	(kg/mt) Weight	Jx cm ⁴	Jy cm ⁴
	70-7047-7046	2,129	58,54	25,37



Orta Kayıt Profili MULLION PROFILE	Profil Kodu Profile Code	(kg/mt) Weight	Jx cm ⁴	Jy cm ⁴
	70-7029-7028	2,542	56,77	108,18



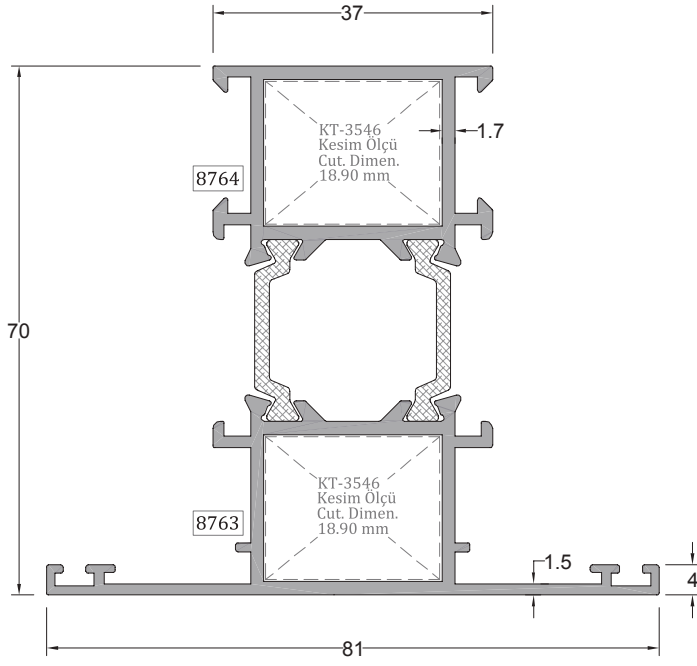
Orta Kayıt Profili MULLION PROFILE	Profil Kodu Profile Code	(kg/mt) Weight	Jx cm ⁴	Jy cm ⁴
	70-7025-7024	1,664	34,74	11,91



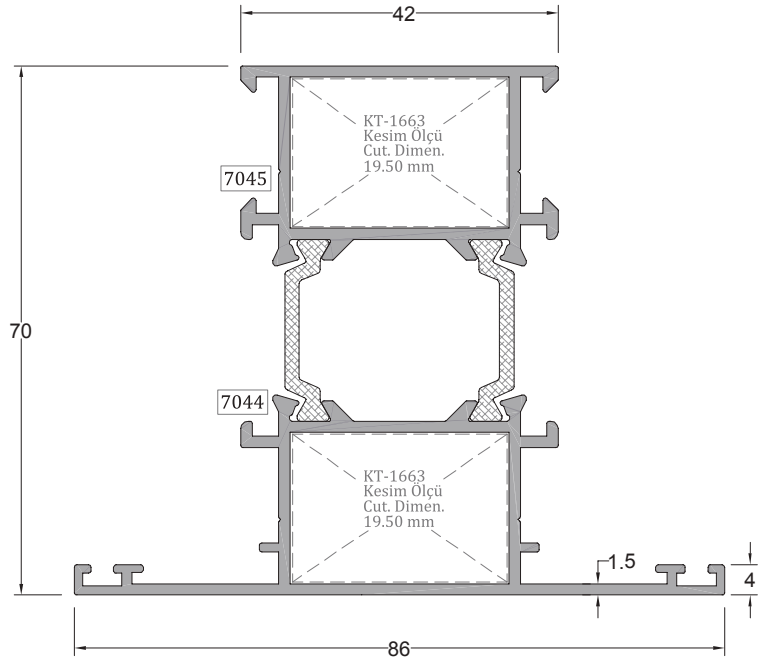
Kanat İçi Orta Kayıt Profili MULLION PROFILE (IN-SASH)	Profil Kodu Profile Code	(kg/mt) Weight	Jx cm ⁴	Jy cm ⁴
	70-7051- 11851	1,907	54,14	17,29

(7010-11824)*(7012-11825)*(7015-11826)*(11828-11825) profillerde kullanılır

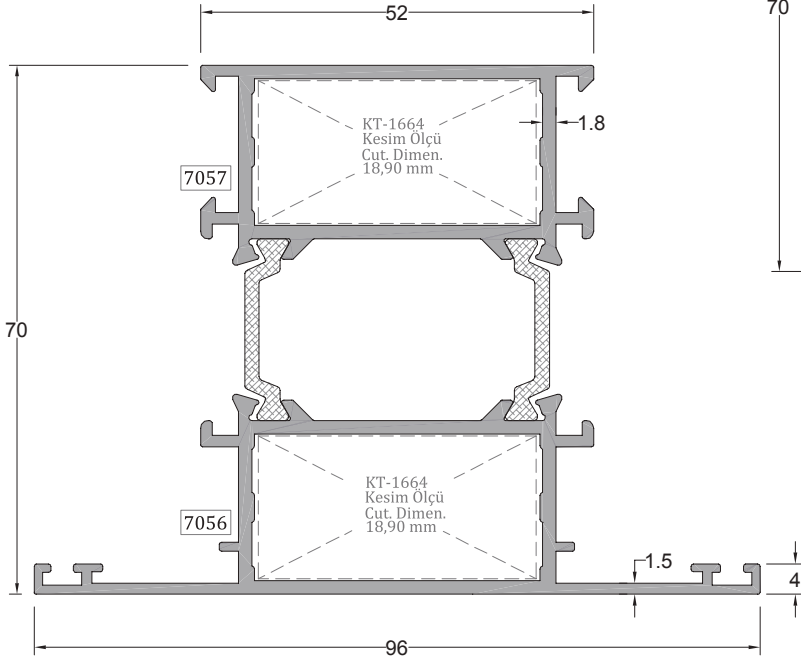
** Her profil için minimum sipariş 300 kg'dır.
** Minimum order quantity is 300 kg per profile.



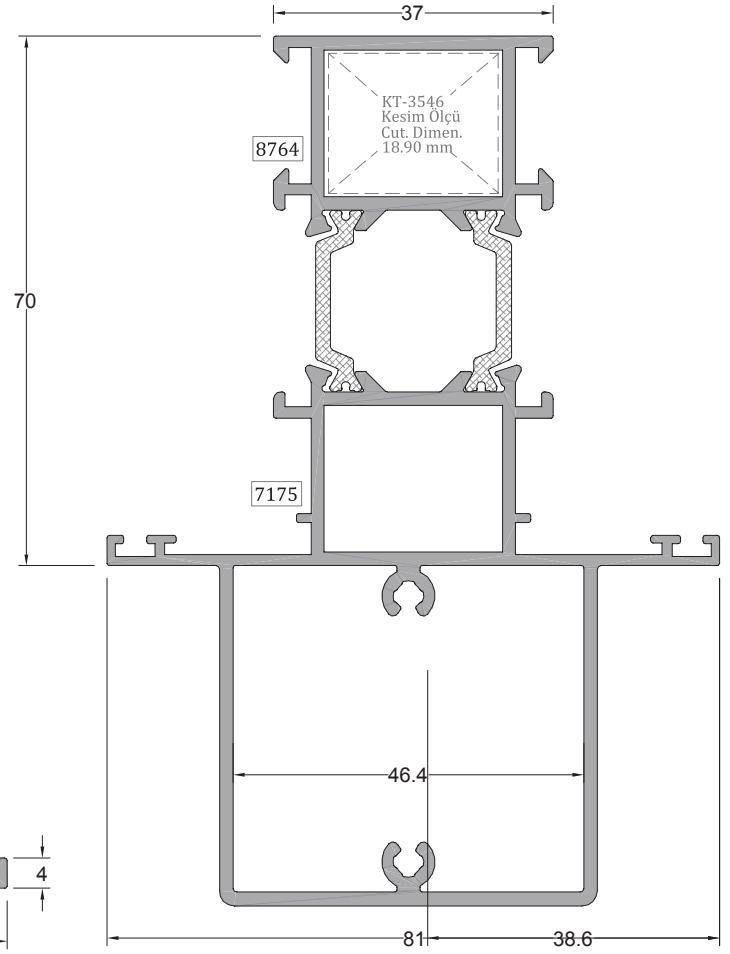
Orta Kayıt Profili MULLION PROFILE	Profil Kodu Profile Code	(kg/mt) Weight	Jx cm ⁴	Jy cm ⁴
	70-8764-8763	1,680	35,74	15,72



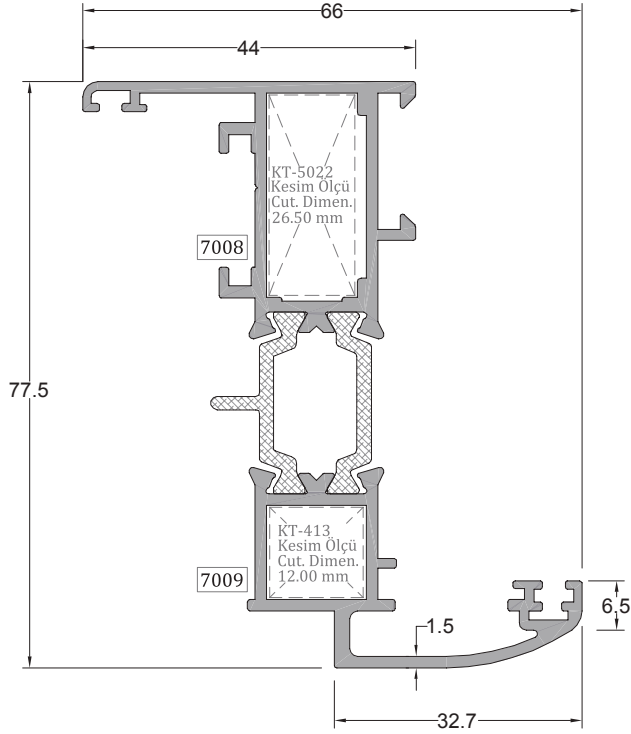
Orta Kayıt Profili MULLION PROFILE	Profil Kodu Profile Code	(kg/mt) Weight	Jx cm ⁴	Jy cm ⁴
	70-7045-7044	1,633	35,00	19,88



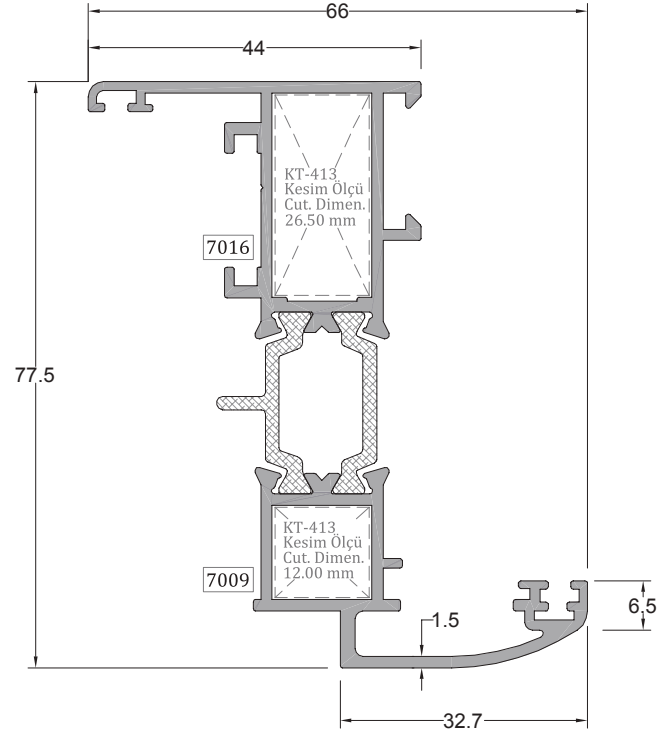
Orta Kayıt Profili MULLION PROFILE	Profil Kodu Profile Code	(kg/mt) Weight	Jx cm ⁴	Jy cm ⁴
	70-7057 - 7056	2,011	44,14	33,35



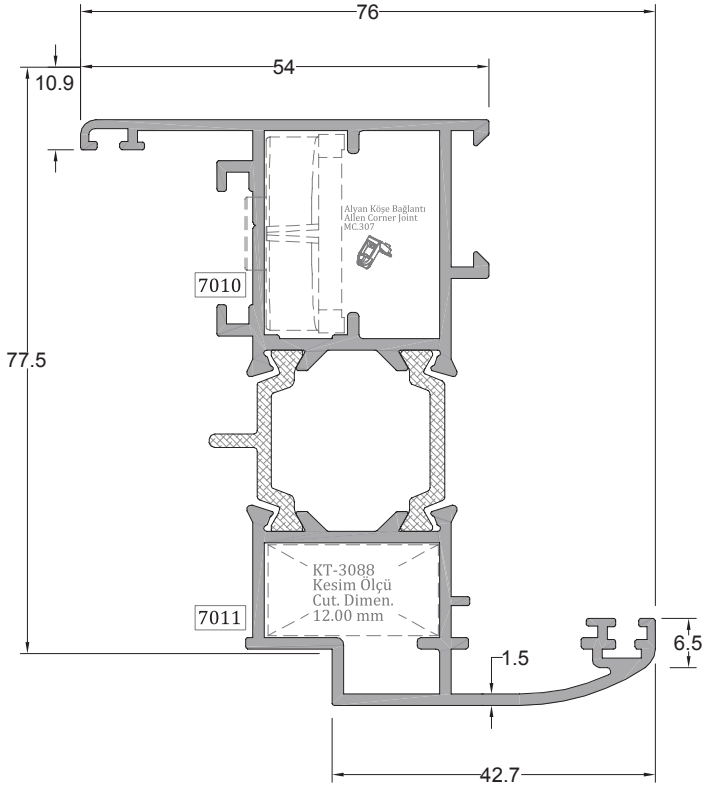
Takviyeli Orta Kayıt Profili REINFORCED MULLION PROFILE	Profil Kodu Profile Code	(kg/mt) Weight	Jx cm ⁴	Jy cm ⁴
	70-8764-7175	2,466	114,88	26,56



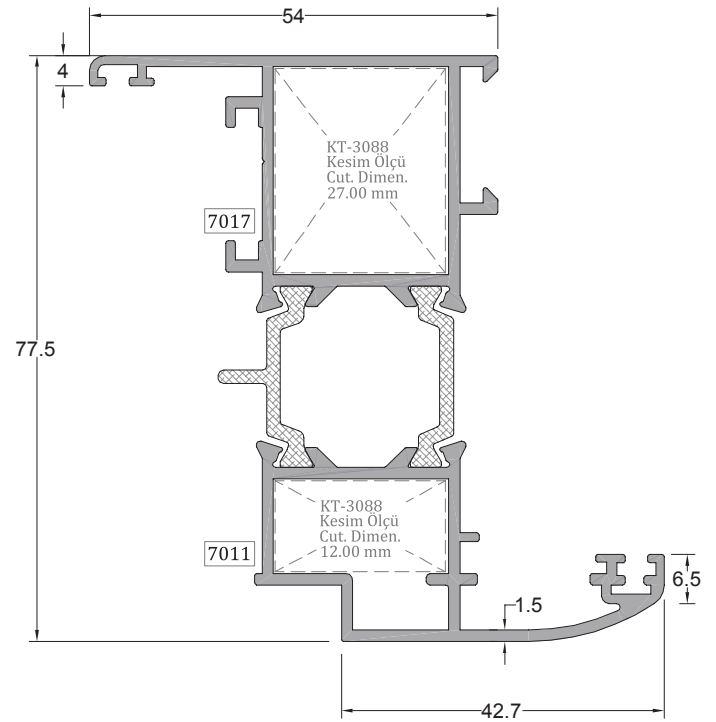
Kanat Profili	Profil Kodu	(kg/mt)	Jx cm ⁴	Jy cm ⁴
SASH PROFILE	Profile Code	Weight		
	70-7008-7009	1,451	36,51	8,85



Kanat Profili	Profil Kodu	(kg/mt)	Jx cm ⁴	Jy cm ⁴
SASH PROFILE	Profile Code	Weight		
	70-7016-7009	1,432	36,00	8,84

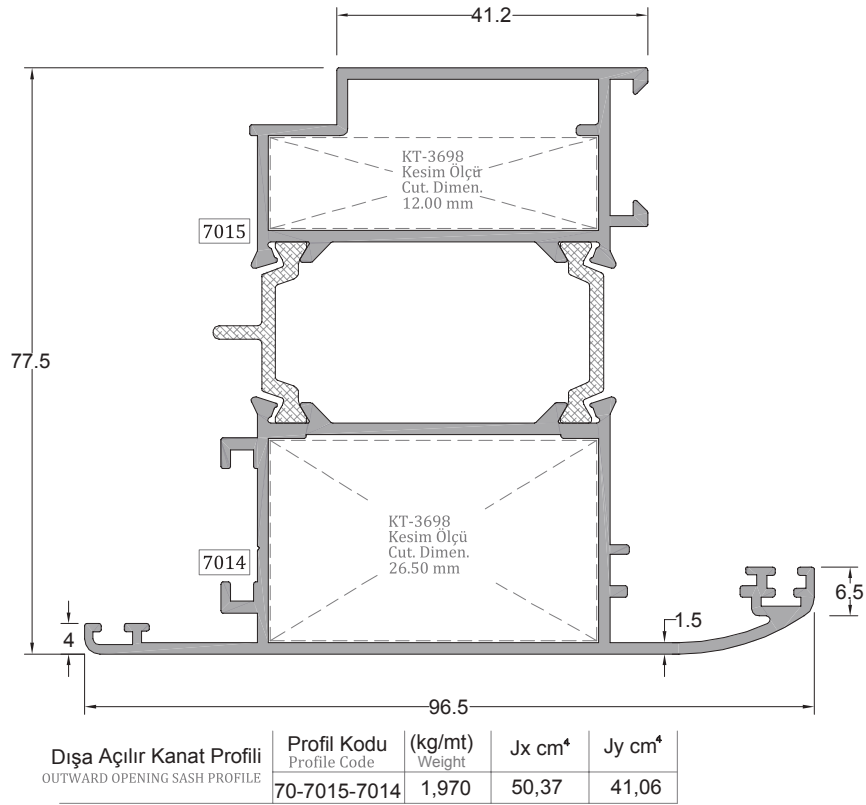
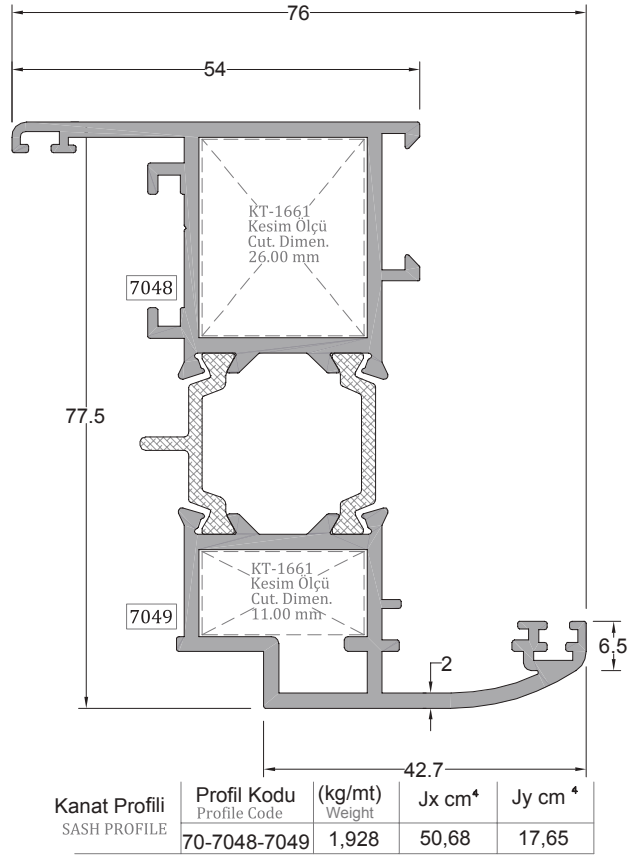


Kanat Profili	Profil Kodu	(kg/mt)	Jx cm ⁴	Jy cm ⁴
SASH PROFILE	Profile Code	Weight		
	70-7010-7011	1,650	42,25	15,91

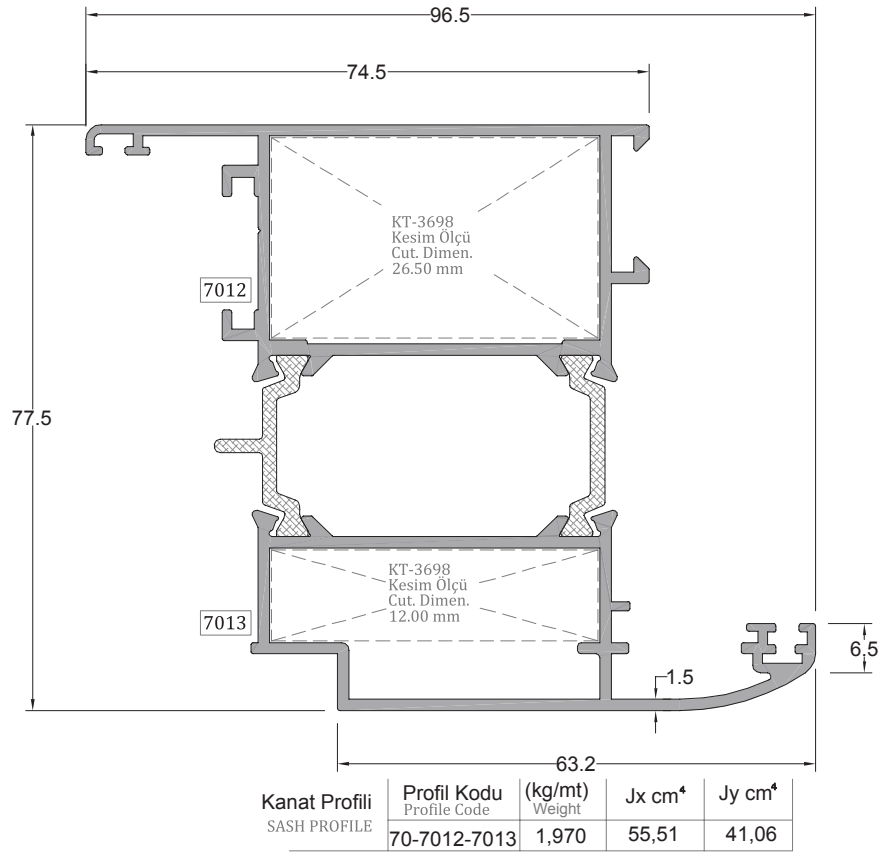


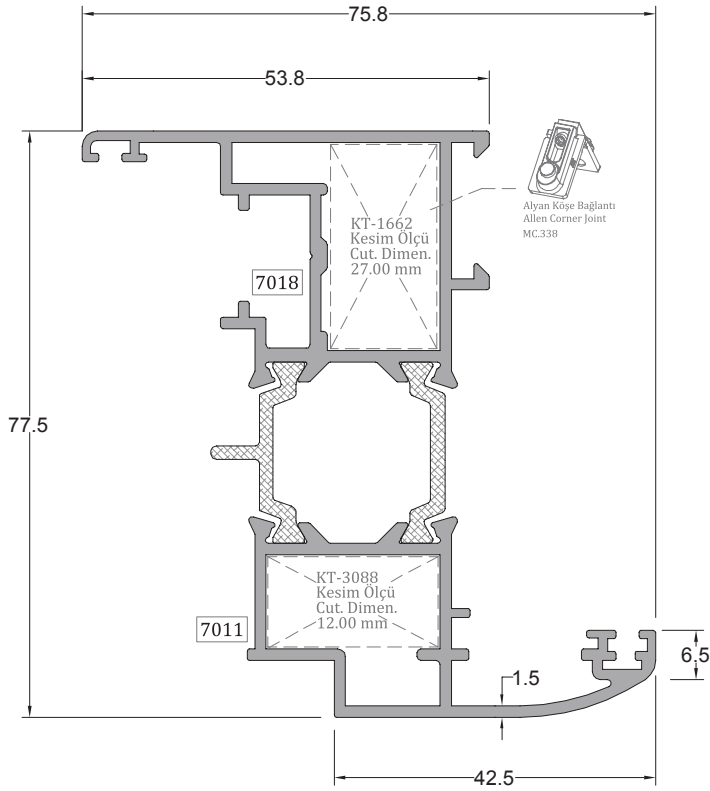
Kanat Profili	Profil Kodu	(kg/mt)	Jx cm ⁴	Jy cm ⁴
SASH PROFILE	Profile Code	Weight		
	70-7017-7011	1,622	41,55	15,89

** Her profil için minimum sipariş 300 kg'dır.
** Minimum order quantity is 300 kg per profile.

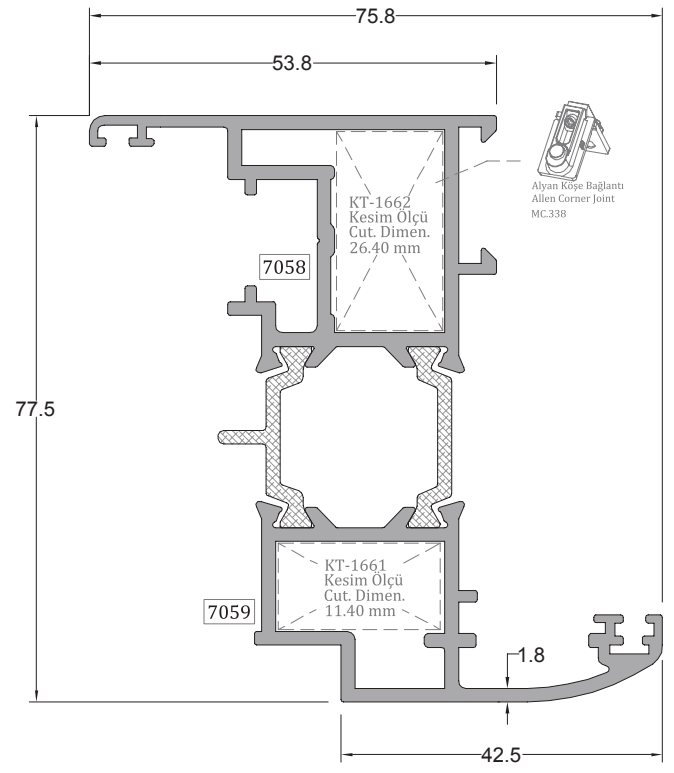


** Her profil için minimum sipariş 300 kg'dır.
** Minimum order quantity is 300 kg per profile.

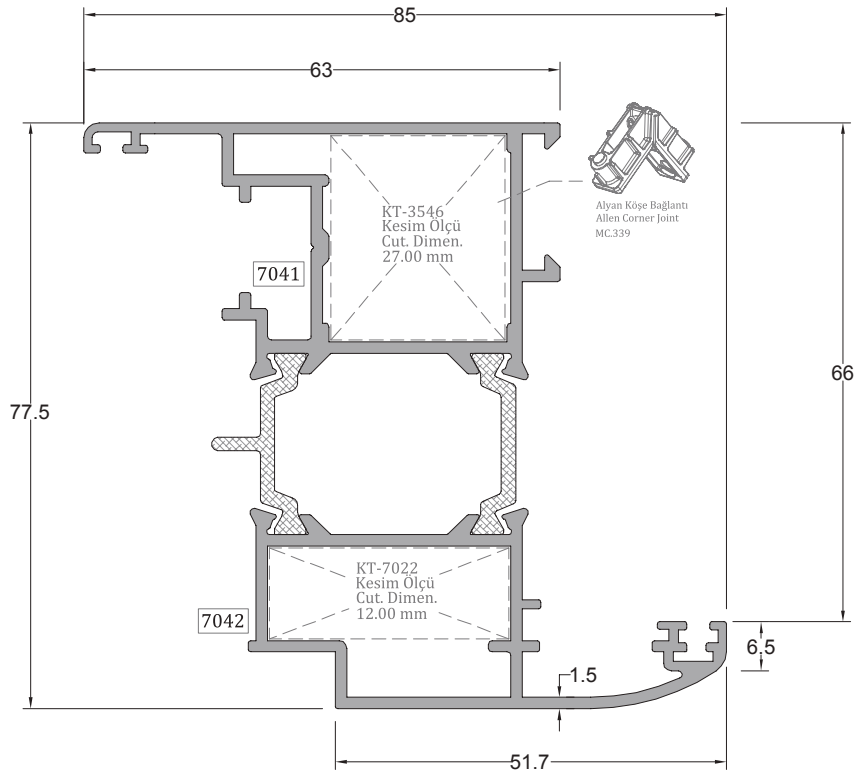




Pvc Kanallı Kanat Profili PVC GROOVE SASH PROFILE	Profil Kodu Profile Code	(kg/mt) Weight	Jx cm ⁴	Jy cm ⁴
	70-7018-7011	1,678	42,72	15,46

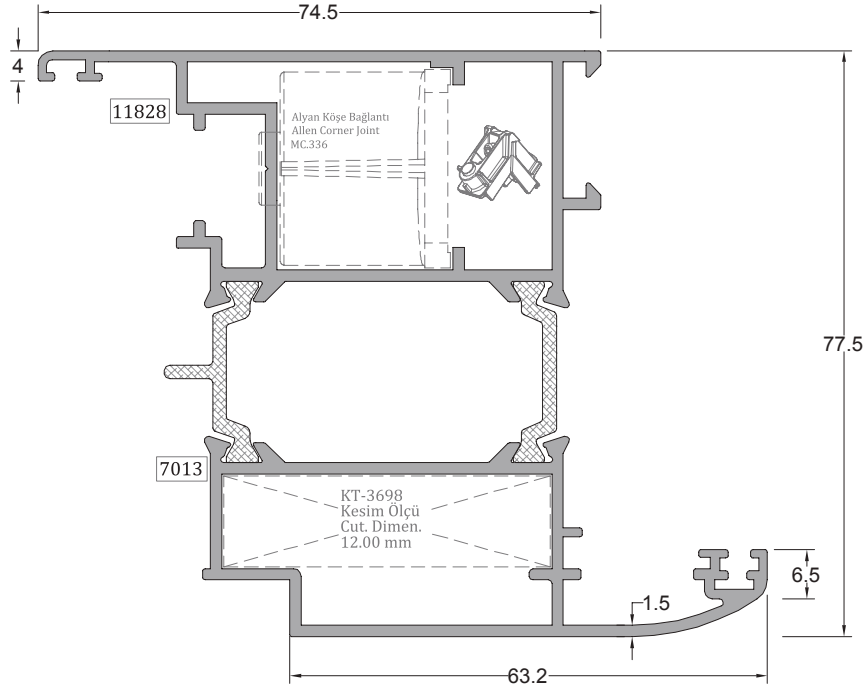


Pvc Kanallı Kanat Profili PVC GROOVE SASH PROFILE	Profil Kodu Profile Code	(kg/mt) Weight	Jx cm ⁴	Jy cm ⁴
	70-7058-7059	1,860	48,37	16,54

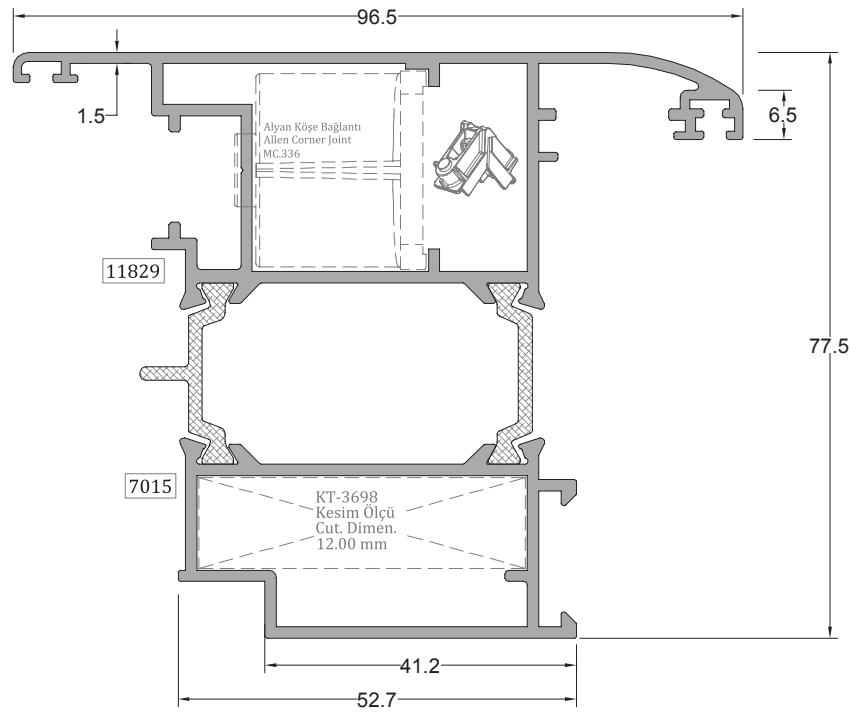


Pvc Kanallı Kanat Profili PVC GROOVE SASH PROFILE	Profil Kodu Profile Code	(kg/mt) Weight	Jx cm ⁴	Jy cm ⁴
	70-7041-7042	1,834	40,36	24,82

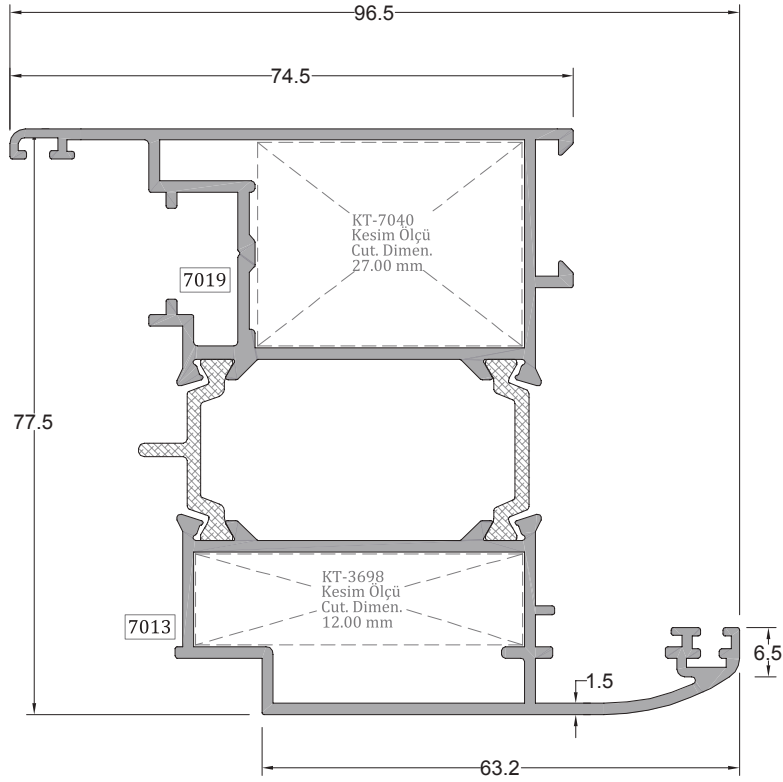
** Her profil için minimum sipariş 300 kg'dır.
** Minimum order quantity is 300 kg per profile.



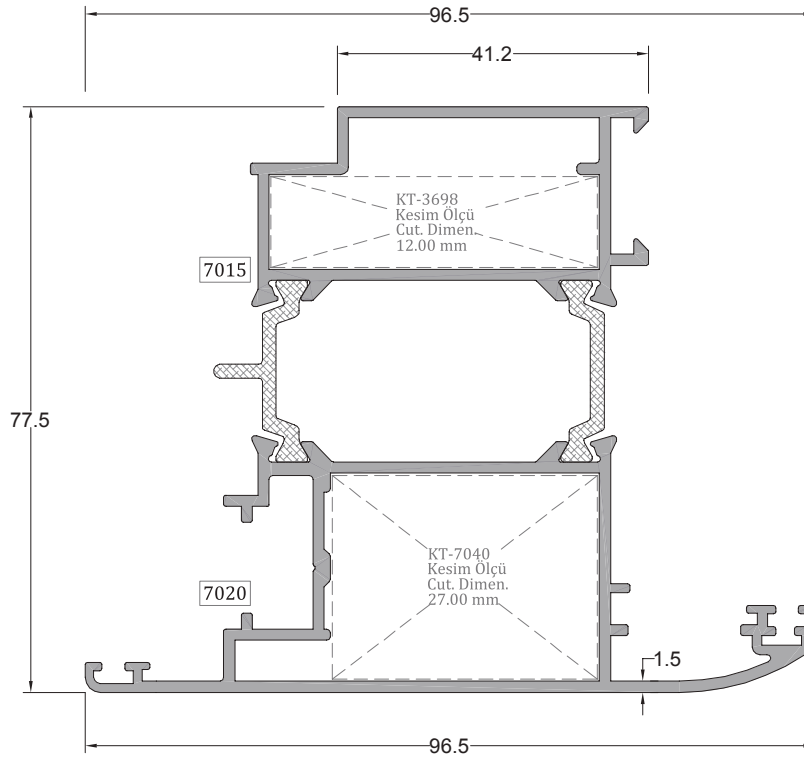
Pvc Kanallı Kanat Profili PVC GROOVE SASH PROFILE	Profil Kodu Profile Code	(kg/mt) Weight	Jx cm ⁴	Jy cm ⁴
	70-11828-7013	2,008	53,41	40,77



Pvc Kanallı Kanat Profili PVC GROOVE SASH PROFILE	Profil Kodu Profile Code	(kg/mt) Weight	Jx cm ⁴	Jy cm ⁴
	70-11829-7015	2,007	51,66	40,77

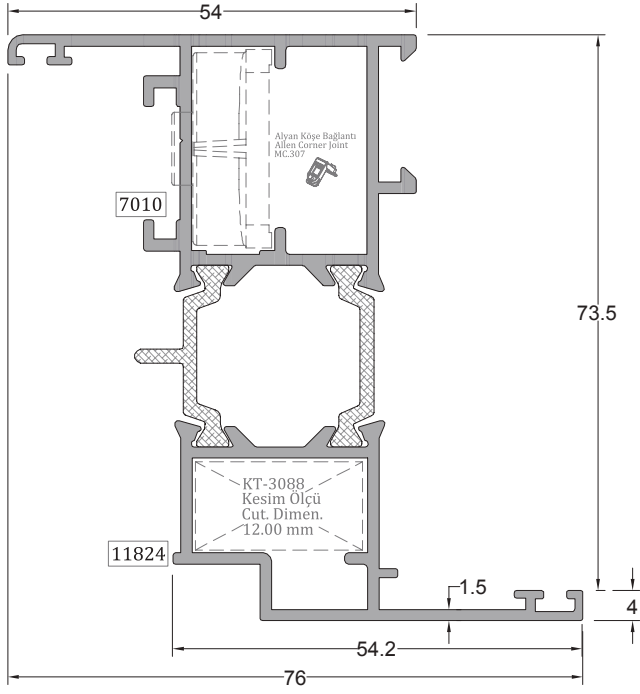


Pvc Kanallı Kanat Profili PVC GROOVE SASH PROFILE	Profil Kodu Profile Code	(kg/mt) Weight	Jx cm ⁴	Jy cm ⁴
	70-7019-7013	2,015	52,77	40,78

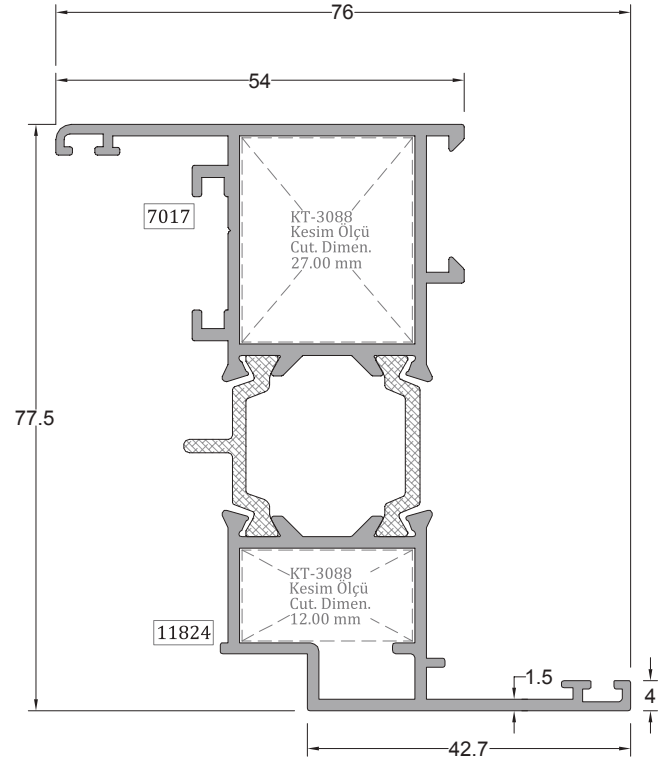


Pvc Kanallı Kanat Profili PVC GROOVE SASH PROFILE	Profil Kodu Profile Code	(kg/mt) Weight	Jx cm ⁴	Jy cm ⁴
	70-7015-7020	2,015	51,17	40,78

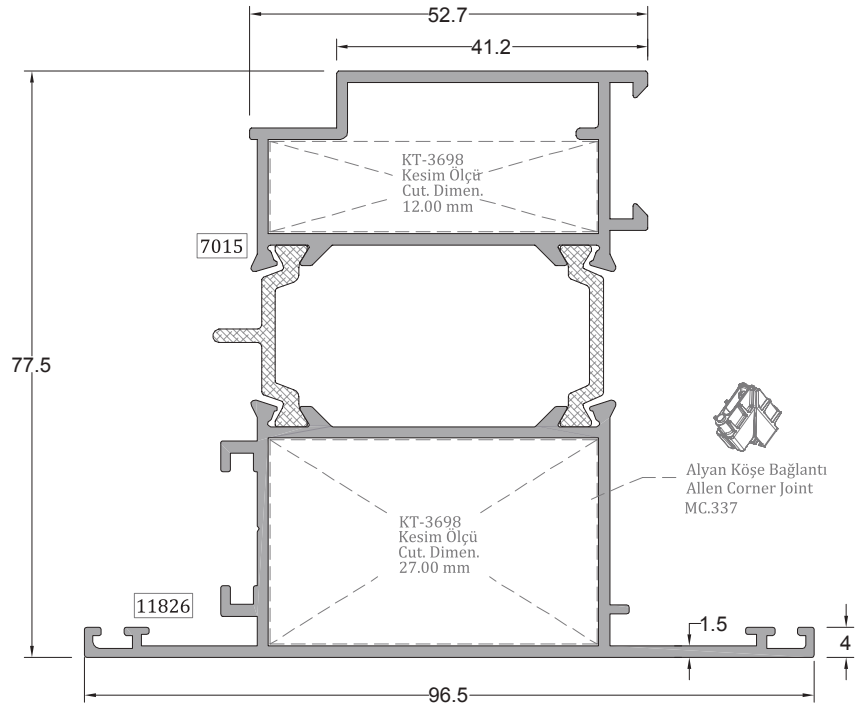
** Her profil için minimum sipariş 300 kg'dır.
** Minimum order quantity is 300 kg per profile.



Kanat Profili SASH PROFILE	Profil Kodu Profile Code	(kg/mt) Weight	Jx cm ⁴	Jy cm ⁴
	70-7010-11824	1,570	40,50	13,24



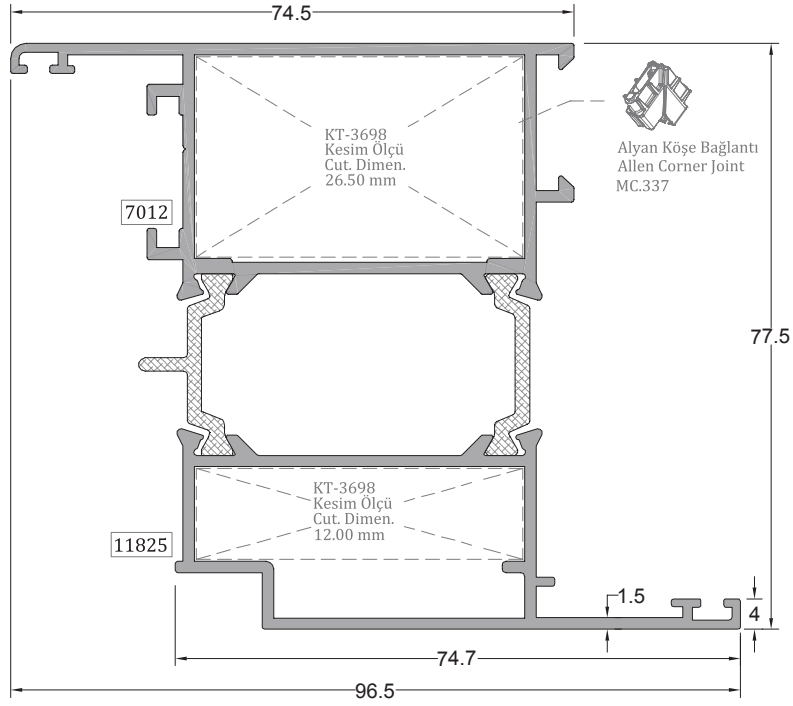
Kanat Profili SASH PROFILE	Profil Kodu Profile Code	(kg/mt) Weight	Jx cm ⁴	Jy cm ⁴
	70-7017-11824	1,537	41,55	15,89



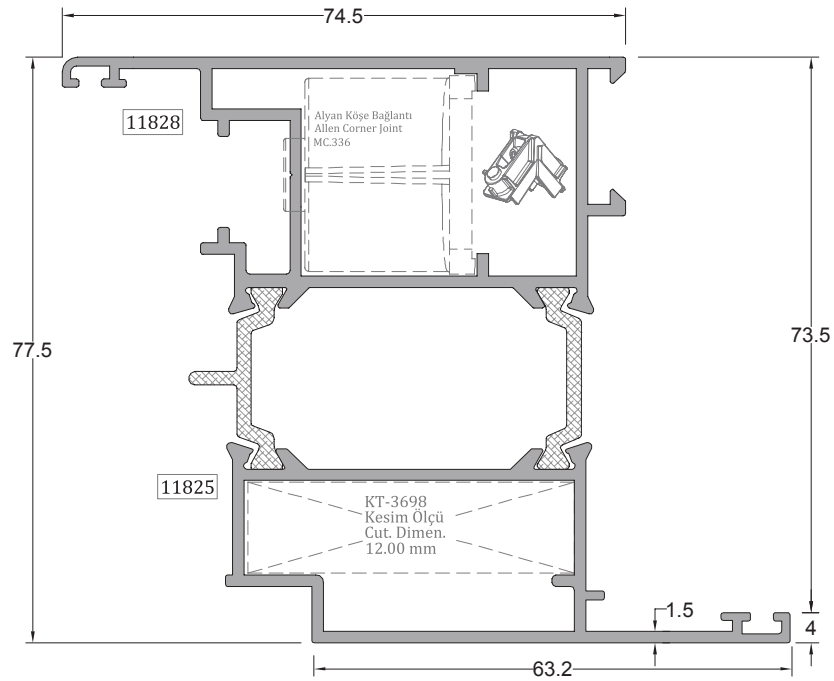
Kanat Profili SASH PROFILE	Profil Kodu Profile Code	(kg/mt) Weight	Jx cm ⁴	Jy cm ⁴
	70-7015-11826	1,860	49,05	36,17

★ Dıştan Görünüş Hemyüz Sistem
Uniform Look From Outside

** Her profil için minimum sipariş 300 kg'dır.
** Minimum order quantity is 300 kg per profile.

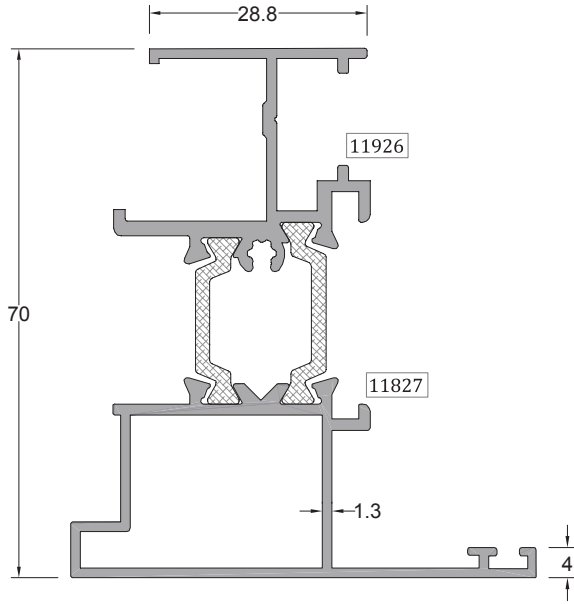


Kanat Profili SASH PROFILE	Profil Kodu Profile Code	(kg/mt) Weight	Jx cm ⁴	Jy cm ⁴
	70-7012-11825	1,880	53,41	40,77

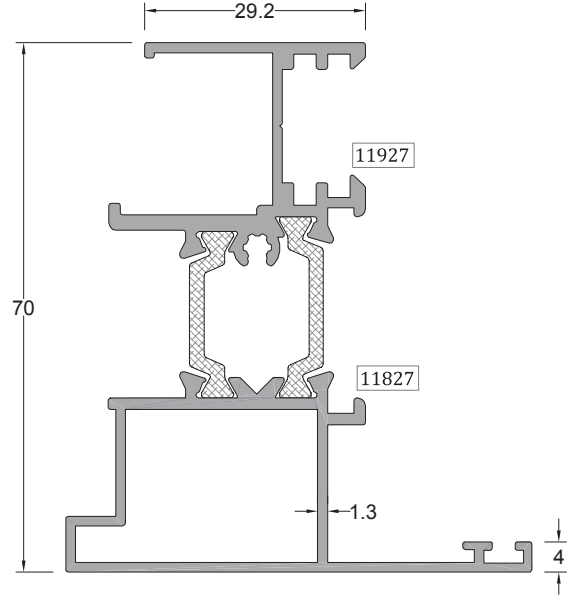


Kanat Profili SASH PROFILE	Profil Kodu Profile Code	(kg/mt) Weight	Jx cm ⁴	Jy cm ⁴
	70-11828-11825	1,930	51,62	36,06

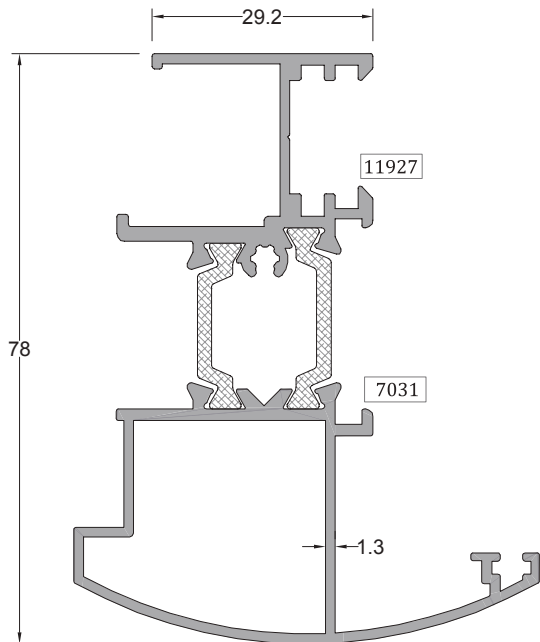
★ Dıştan Görünüş Hemyüz Sistem
Uniform Look From Outside



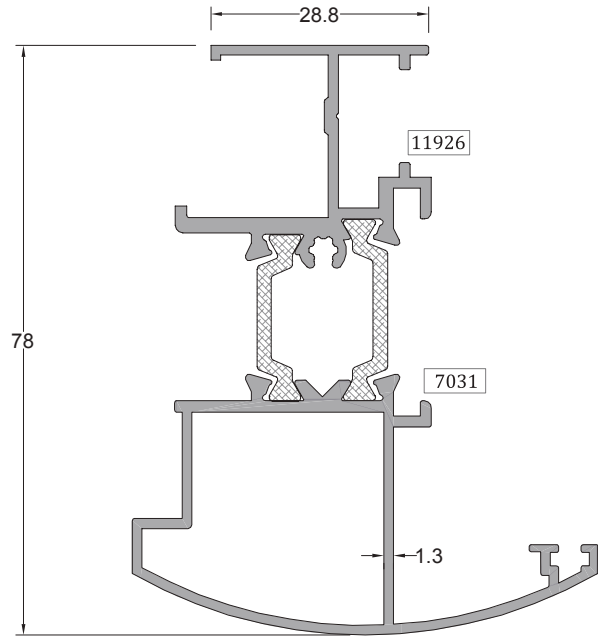
Adaptör Profili	Profil Kodu	(kg/mt)
ADAPTER PROFILE	Profile Code	Weight
	70-11926-11827	1,279



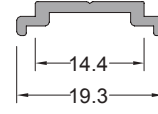
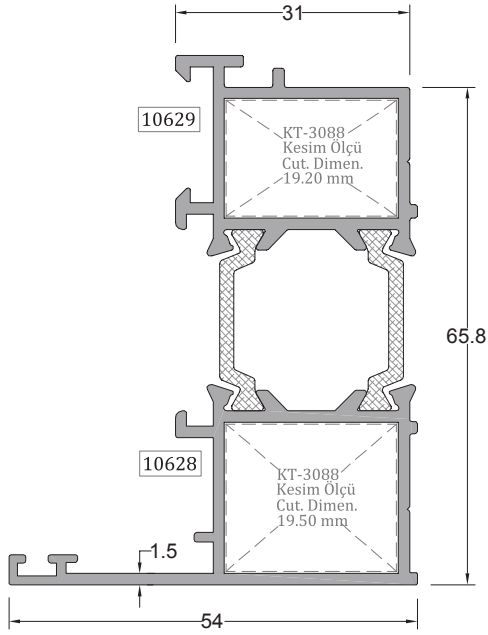
Adaptör Profili	Profil Kodu	(kg/mt)
ADAPTER PROFILE	Profile Code	Weight
	70-11927-11827	1,289



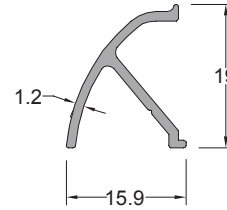
Adaptör Profili	Profil Kodu	(kg/mt)
ADAPTER PROFILE	Profile Code	Weight
	70-11927-7031	1,349



Adaptör Profili	Profil Kodu	(kg/mt)
ADAPTER PROFILE	Profile Code	Weight
	70-11926-7031	1,340

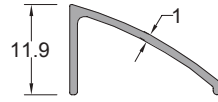
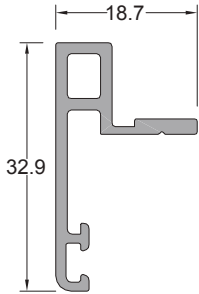


Tij Profili	Profil Kodu	(kg/mt)
STEM BAR PROFILE	Profile Code	Weight
	8241	0,099



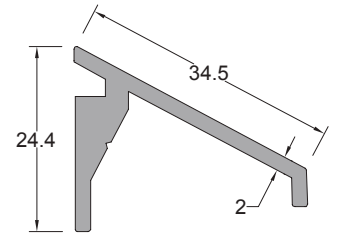
Damlalık Profili	Profil Kodu	(kg/mt)
DROPPER PROFILE	Profile Code	Weight
	7021	0,140

Dışa Açılır Adaptör Profili	Profil Kodu	(kg/mt)
OUTWARD OPENING ADAPTER PROFILE	Profile Code	Weight
	70-10629-10628	1,322

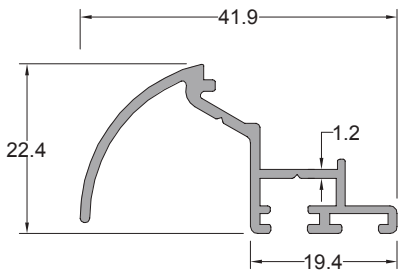


Damlalık Profili	Profil Kodu	(kg/mt)
DROPPER PROFILE	Profile Code	Weight
	4242	0,094

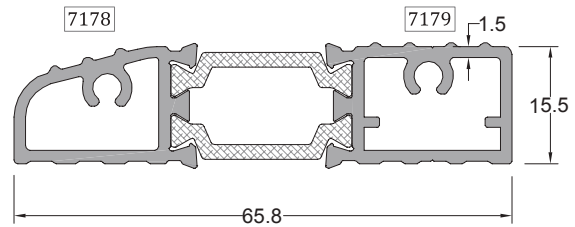
Kanat Altı Kapama Profili	Profil Kodu	(kg/mt)
SUP-SASH COVER PROFILE	Profile Code	Weight
	10923	0,295



Damlalık Profili	Profil Kodu	(kg/mt)
DROPPER PROFILE	Profile Code	Weight
	1011	0,402

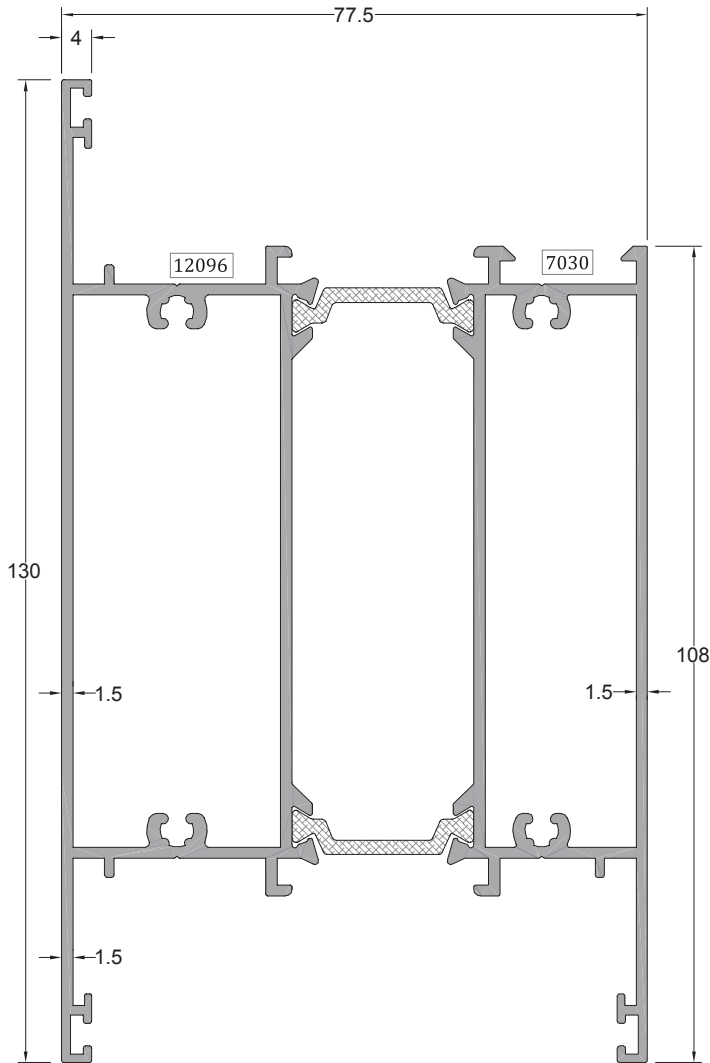


İçe Açılır Damlalık Profili	Profil Kodu	(kg/mt)
INWARD OPENING DROPPER PROFILE	Profile Code	Weight
	12375	0,326

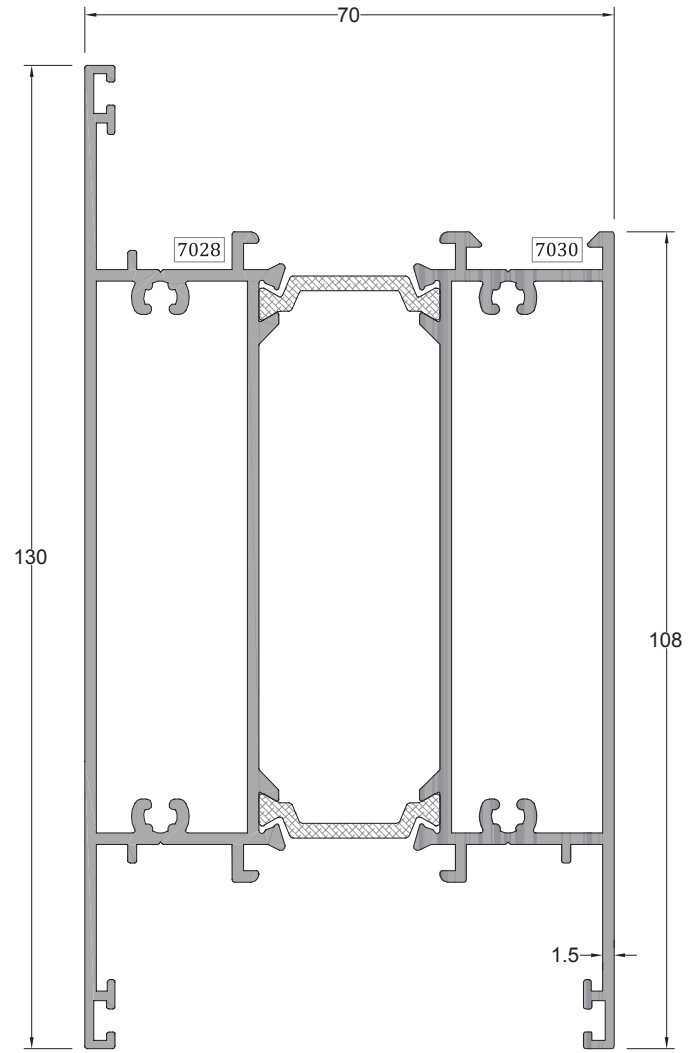


Kapı Altı Eşik Profili	Profil Kodu	(kg/mt)
DOOR THRESHOLD PROFILE	Profile Code	Weight
	70-7178-7179	1,019

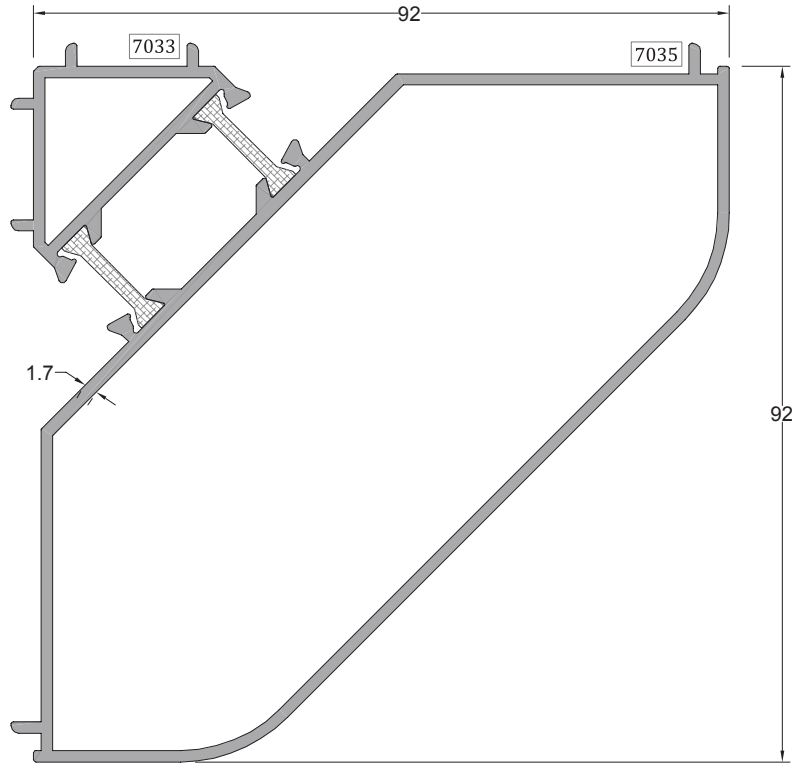
** Her profil için minimum sipariş 300 kg'dır.
** Minimum order quantity is 300 kg per profile.



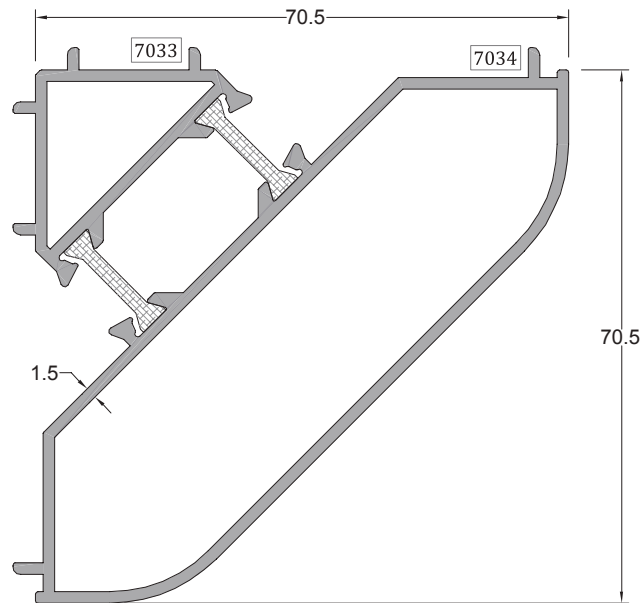
Etek Profili	Profil Kodu	(kg/mt)
BOTTOM PROFILE	Profile Code	Weight
	70-12096-7030	2,697



Etek Profili	Profil Kodu	(kg/mt)
BOTTOM PROFILE	Profile Code	Weight
	70-7030-7028	2,647

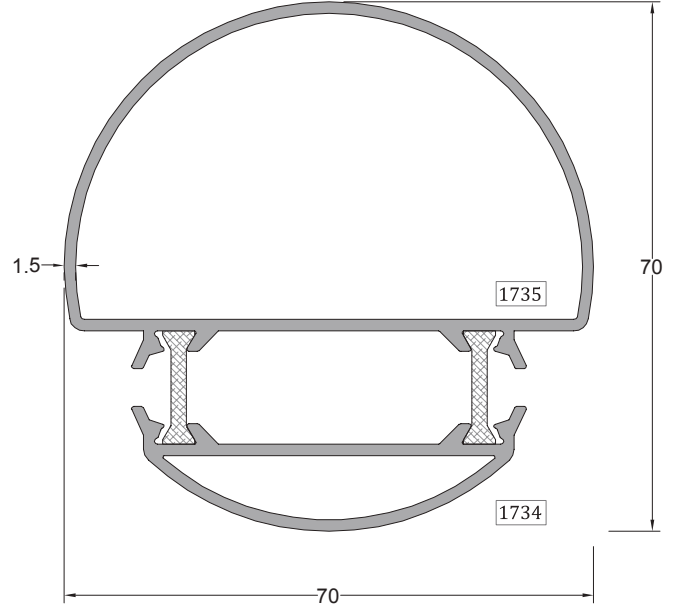
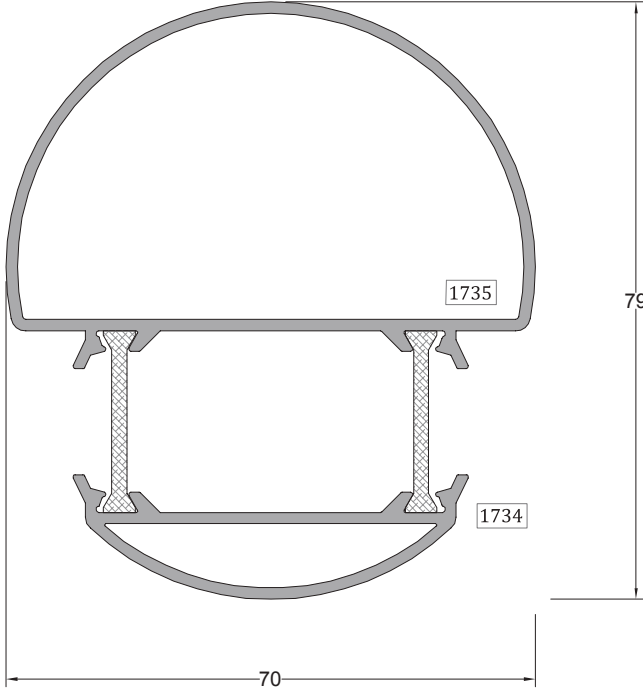


Köşe Dönüş Profili CORNER PROFILE	Profil Kodu Profile Code	(kg/mt) Weight	Jx cm ⁴	Jy cm ⁴
	70-7033-7035	1,894	62,35	62,35



Köşe Dönüş Profili CORNER PROFILE	Profil Kodu Profile Code	(kg/mt) Weight	Jx cm ⁴	Jy cm ⁴
	70-7033-7034	1,531	26,72	26,72

** Her profil için minimum sipariş 300 kg'dır.
** Minimum order quantity is 300 kg per profile.

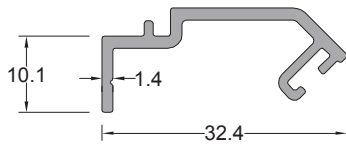


Köşe Dönüş Profili CORNER PROFILE	Profil Kodu Profile Code	(kg/mt) Weight	Jx cm ⁴	Jy cm ⁴
	70-1734-1735	1,481	32,51	26,21

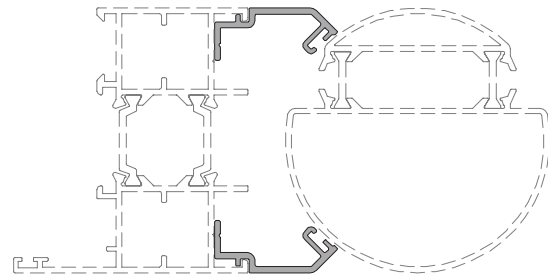
Köşe Dönüş Profili CORNER PROFILE	Profil Kodu Profile Code	(kg/mt) Weight	Jx cm ⁴	Jy cm ⁴
	55-1734-1735	1,465	22,53	21,83

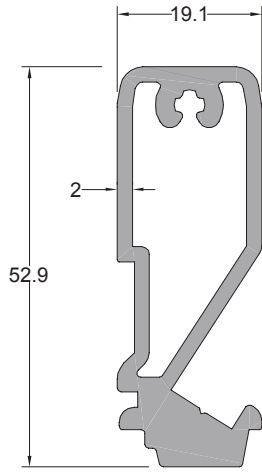
★ 70-7000-7002, 70-7004-7006 nolu profiller ile çalışmaktadır.
Works with profiles 70-7000-7002, 70-7004-7006.

★ 70-7000-7001, 70-7004-7005, 6880-6879 nolu profiller çalışmaktadır.
Works with profiles 70-7000-7001, 70-7004-7005, 6880-6879.



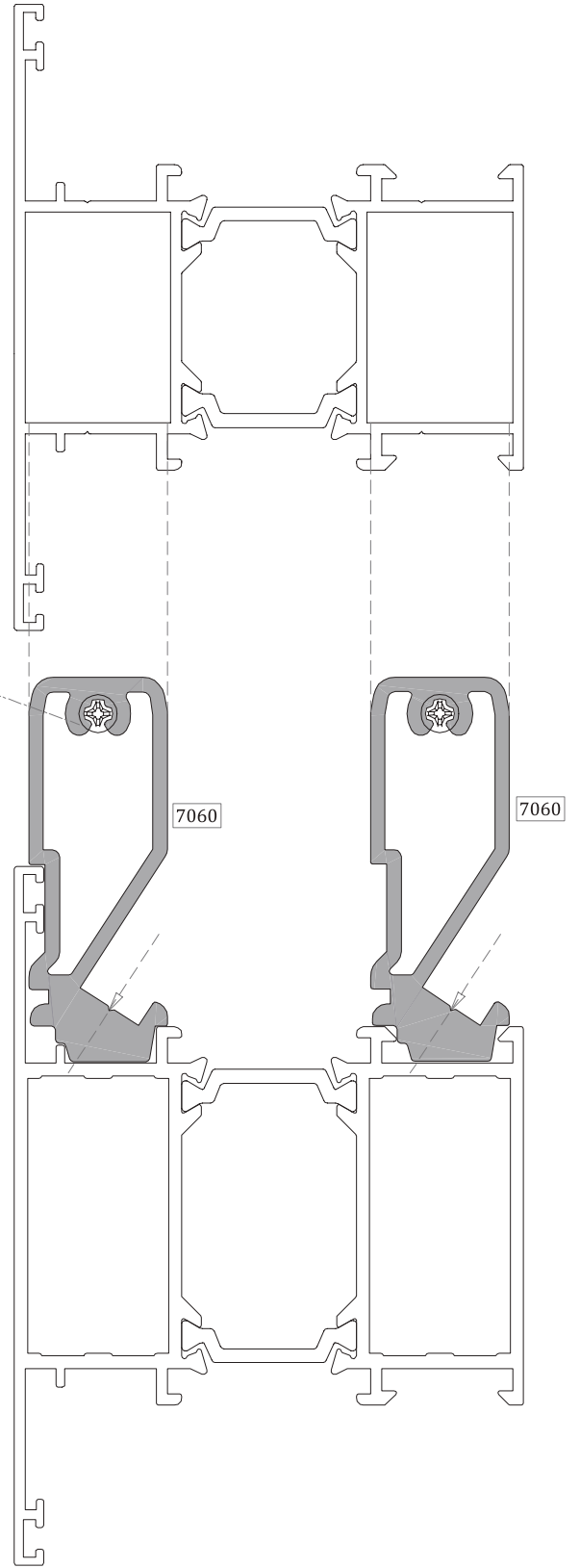
Adaptör Profili ADAPTER PROFILE	Profil Kodu Profile Code	(kg/mt) Weight
	7180	0,244





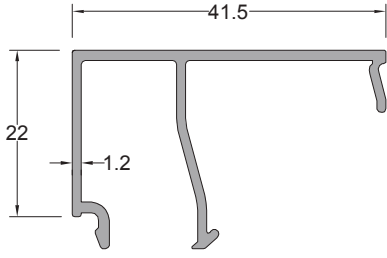
Orta Kayıt Bağlantı Profili MULLION CONNECTION PROFILE	Profil Kodu Profile Code	(kg/mt) Weight
	7060	1.007

M3.8x19 (YHB)

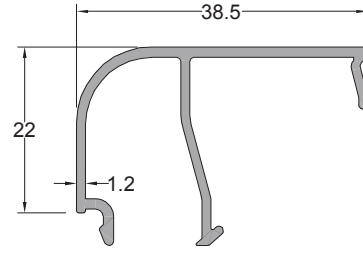


Dik Bağlantı Kodu	Kullanıldığı Profil	Kesim ölçüsü	Adet Kesim Kodu
7060	8764,8763,7175	23 mm	OKB - 7060 - 23
	7047,7045,7044	28,5 mm	OKB - 7060 - 28,5
	7057,7056	37,3 mm	OKB - 7060 - 37,3

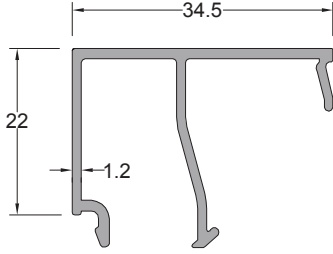
** Her profil için minimum sipariş 300 kg'dır.
** Minimum order quantity is 300 kg per profile.



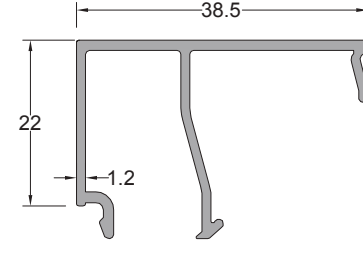
Çita Profili BEAD PROFILE	Profil Kodu Profile Code	(kg/mt) weight
	3537	0.367



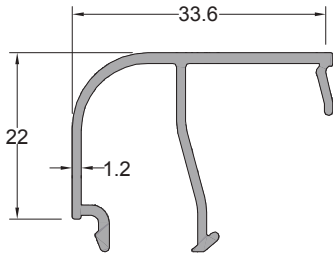
Çita Profili BEAD PROFILE	Profil Kodu Profile Code	(kg/mt) weight
	1750	0.342



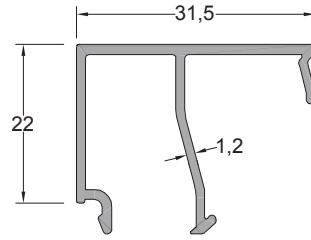
Çita Profili BEAD PROFILE	Profil Kodu Profile Code	(kg/mt) weight
	1747	0.340



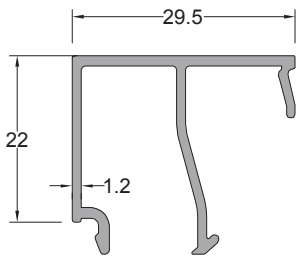
Çita Profili BEAD PROFILE	Profil Kodu Profile Code	(kg/mt) weight
	1749	0.356



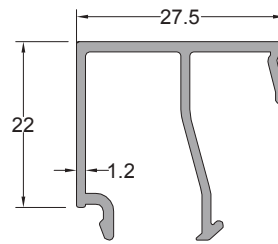
Çita Profili BEAD PROFILE	Profil Kodu Profile Code	(kg/mt) weight
	1748	0.327



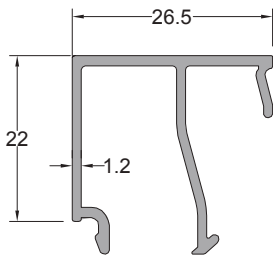
Cam Çıtası GLAZING BEAD	Profil Kodu Profile Code	(kg/mt) Weight
	3536	0,329



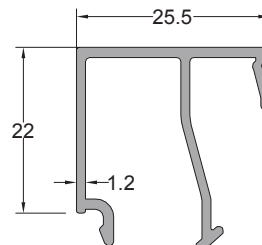
Çita Profili BEAD PROFILE	Profil Kodu Profile Code	(kg/mt) weight
	3636	0.321



Çita Profili BEAD PROFILE	Profil Kodu Profile Code	(kg/mt) weight
	1966	0.314

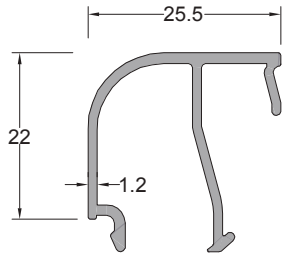


Çita Profili BEAD PROFILE	Profil Kodu Profile Code	(kg/mt) weight
	2236	0.310

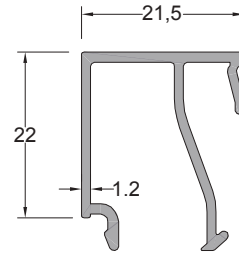


Çita Profili BEAD PROFILE	Profil Kodu Profile Code	(kg/mt) weight
	1949	0.306

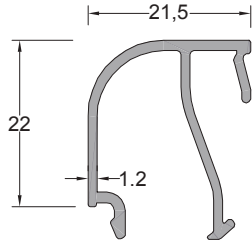
** Her profil için minimum sipariş 300 kg'dır.
** Minimum order quantity is 300 kg per profile.



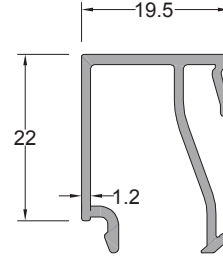
Çıta Profili BEAD PROFILE	Profil Kodu Profile Code	(kg/mt) weight
	5527	0.293



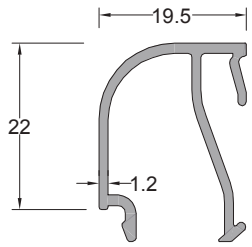
Çıta Profili BEAD PROFILE	Profil Kodu Profile Code	(kg/mt) weight
	1745	0.292



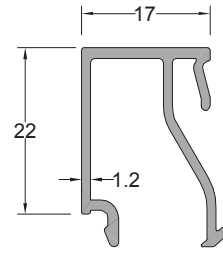
Çıta Profili BEAD PROFILE	Profil Kodu Profile Code	(kg/mt) weight
	1746	0.279



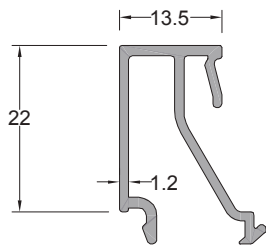
Çıta Profili BEAD PROFILE	Profil Kodu Profile Code	(kg/mt) weight
	1699	0.285



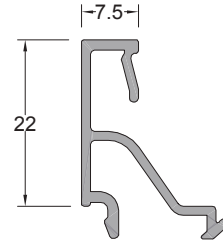
Çıta Profili BEAD PROFILE	Profil Kodu Profile Code	(kg/mt) weight
	5546	0.271



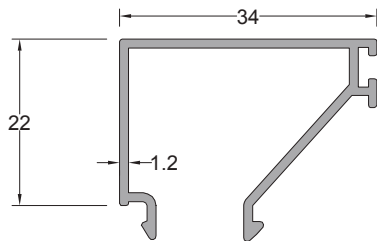
Çıta Profili BEAD PROFILE	Profil Kodu Profile Code	(kg/mt) weight
	3539	0.277



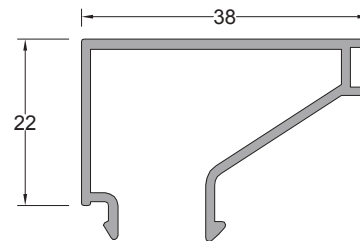
Çıta Profili BEAD PROFILE	Profil Kodu Profile Code	(kg/mt) weight
	1698	0.270



Çıta Profili BEAD PROFILE	Profil Kodu Profile Code	(kg/mt) weight
	1948	0.235



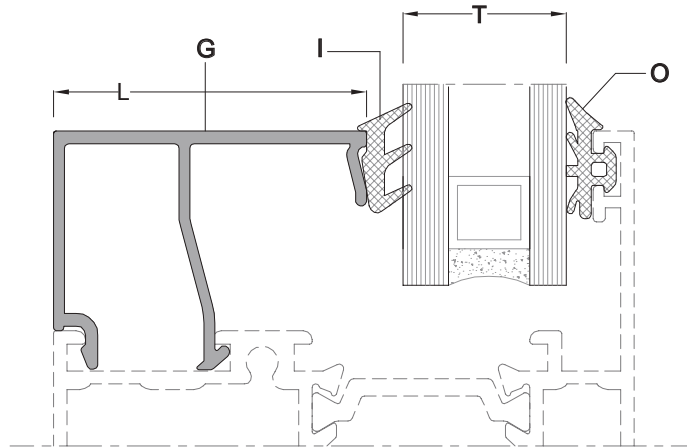
Çıta Profili BEAD PROFILE	Profil Kodu Profile Code	(kg/mt) weight
	676	0,331



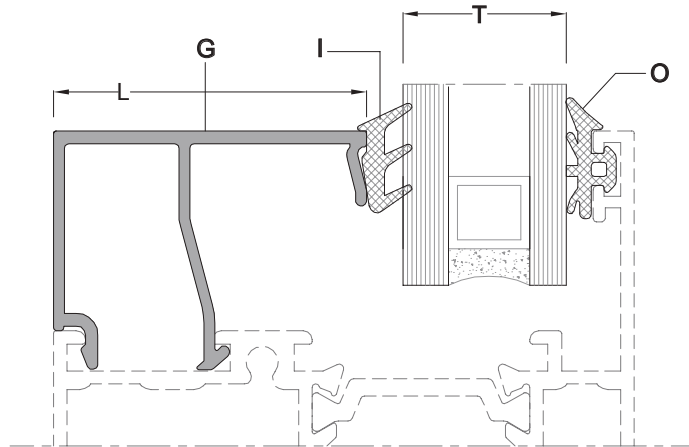
Çıta Profili BEAD PROFILE	Profil Kodu Profile Code	(kg/mt) weight
	7043	0,366

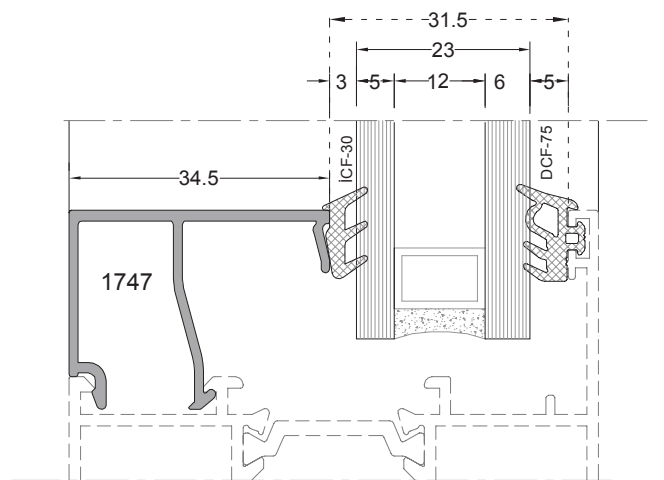
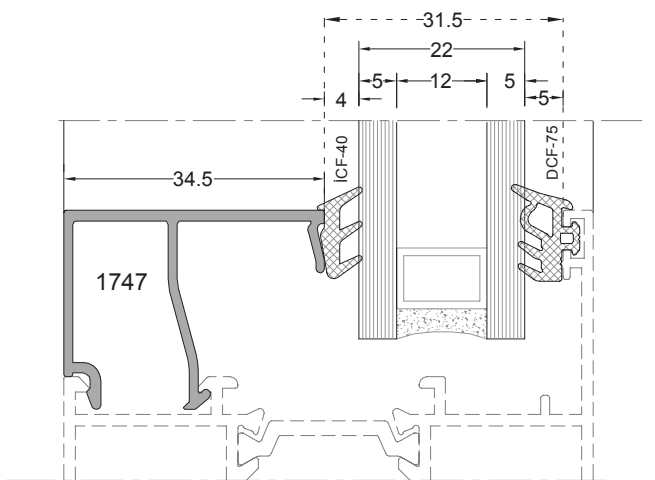
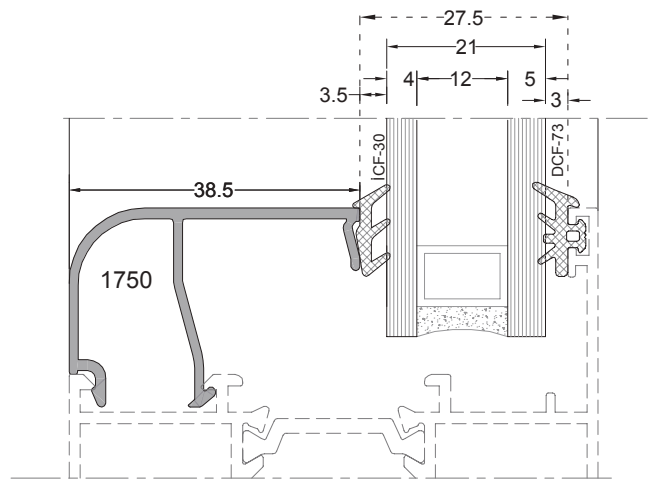
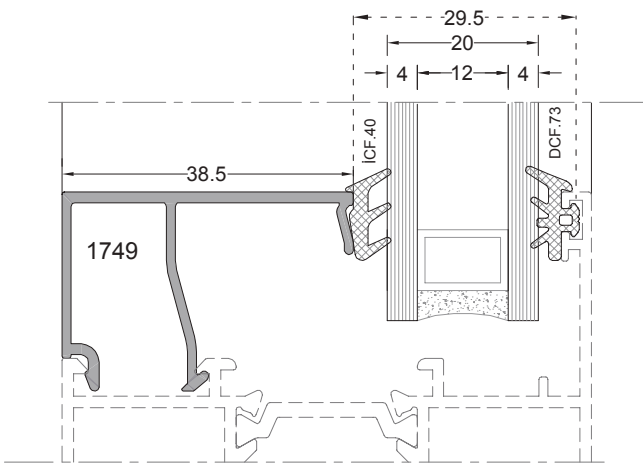
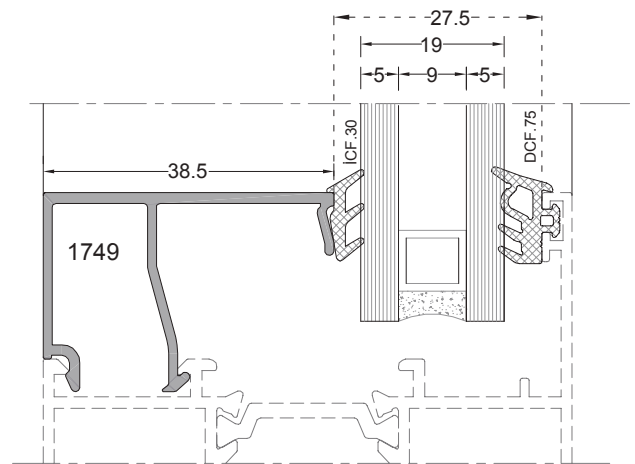
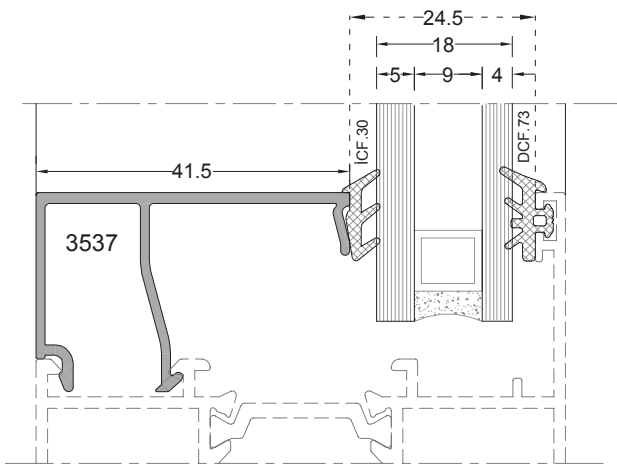
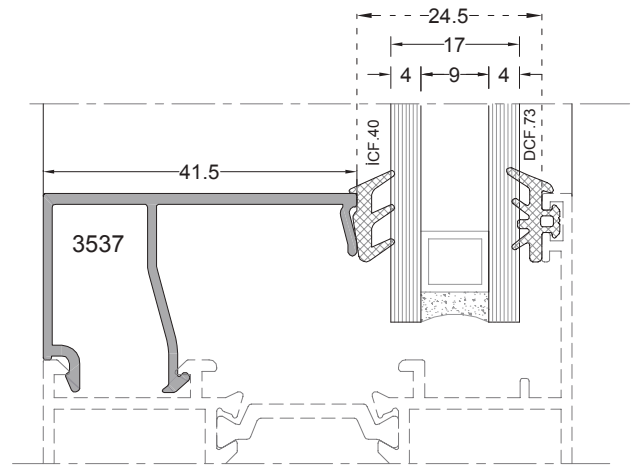
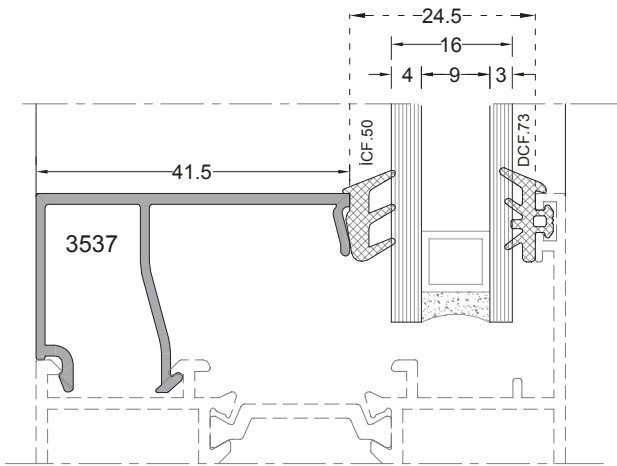
** Her profil için minimum sipariş 300 kg'dır.
** Minimum order quantity is 300 kg per profile.

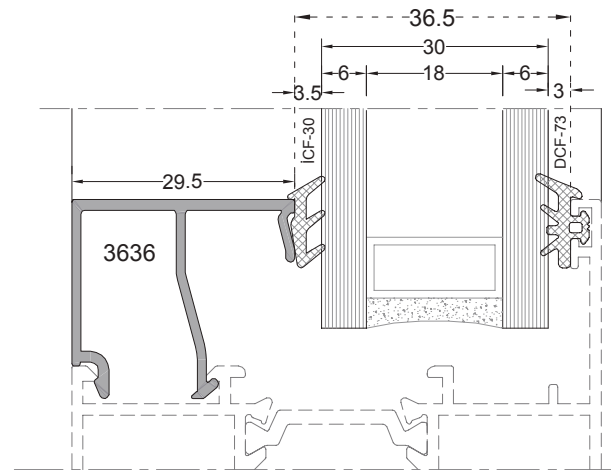
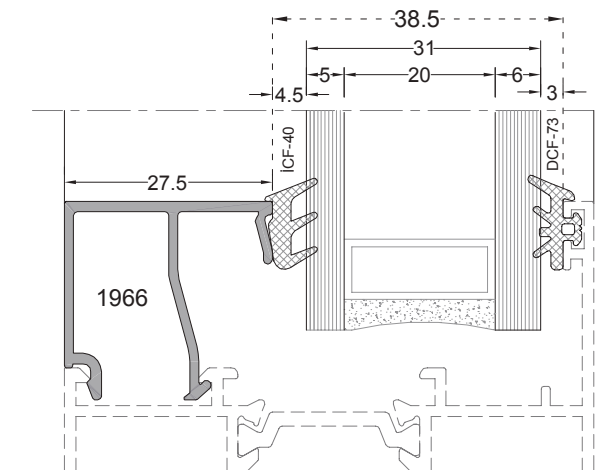
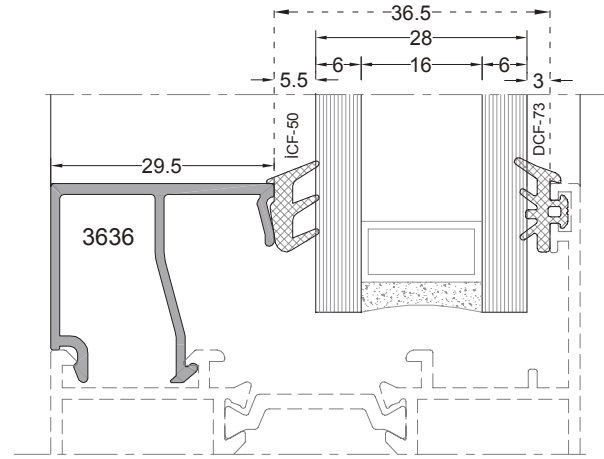
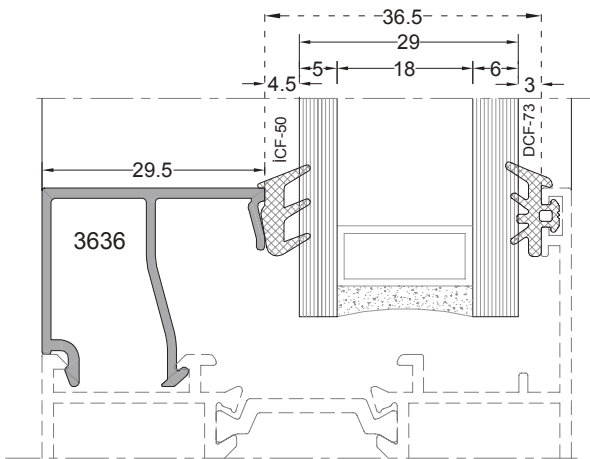
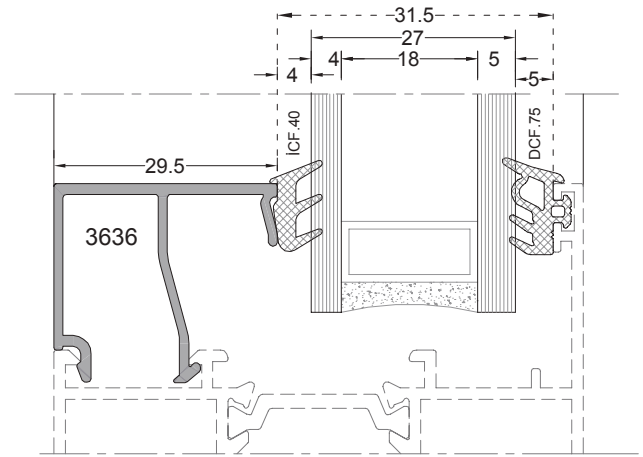
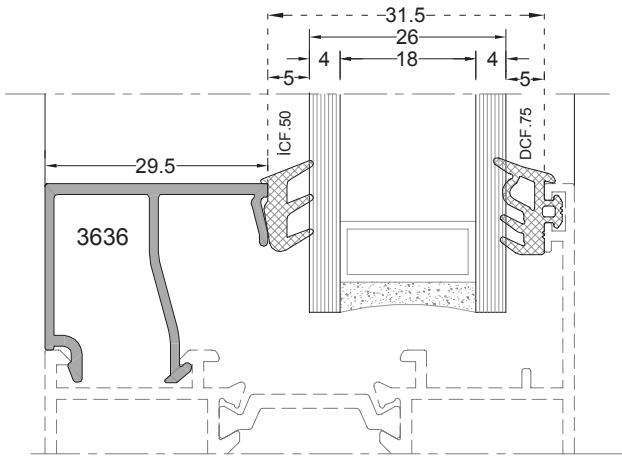
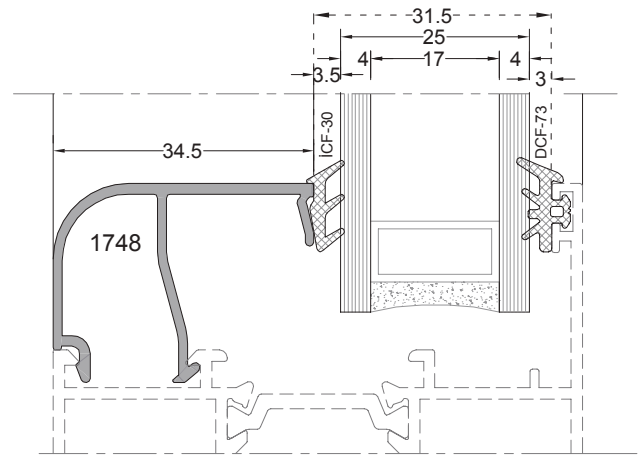
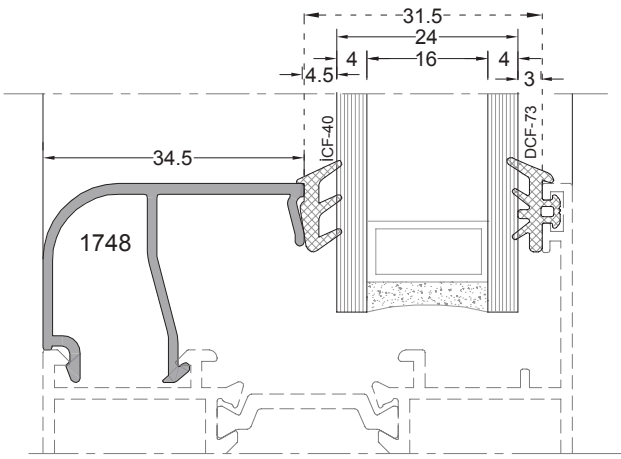
CAM ÇİTASI GLAZING BEAD	CAM ÇİTASI UZUNLUĞU GLAZING BEAD LENGTH	İÇ CAM FİTİLİ GLAZING GASKET(inside)	CAM KALINLIĞI GLASS THICKNESS	DIŞ CAM FİTİLİ GLAZING GASKET(outside)
(G)	(L)	(I)	(T)	(O)
3537	41,5 mm	İCF.50	16 mm	DCF.73
3537	41,5 mm	İCF.40	17 mm	DCF.73
3537	41,5 mm	İCF.30	18 mm	DCF.73
1749	38,5 mm	İCF.30	19 mm	DCF.75
1749	38,5 mm	İCF.40	20 mm	DCF.73
1750	38,5 mm	İCF.30	21 mm	DCF.73
1747	34,5 mm	İCF.40	22 mm	DCF.75
1747	34,5 mm	İCF.30	23 mm	DCF.75
1748	34,5 mm	İCF.40	24 mm	DCF.73
1748	34,5 mm	İCF.30	25 mm	DCF.73
1748	34,5 mm	İCF.50	26 mm	DCF.75
3636	29,5 mm	İCF.40	27 mm	DCF.75
3636	29,5 mm	İCF.50	28 mm	DCF.73
3636	29,5 mm	İCF.50	29 mm	DCF.73
3636	29,5 mm	İCF.30	30 mm	DCF.73
1966	27,5 mm	İCF.40	31 mm	DCF.73
2236	26,5 mm	İCF.40	32 mm	DCF.73
1949	25,5 mm	İCF.40	33 mm	DCF.73
1949	25,5 mm	İCF.30	34 mm	DCF.73
1745	21,5 mm	İCF.40	35 mm	DCF.75

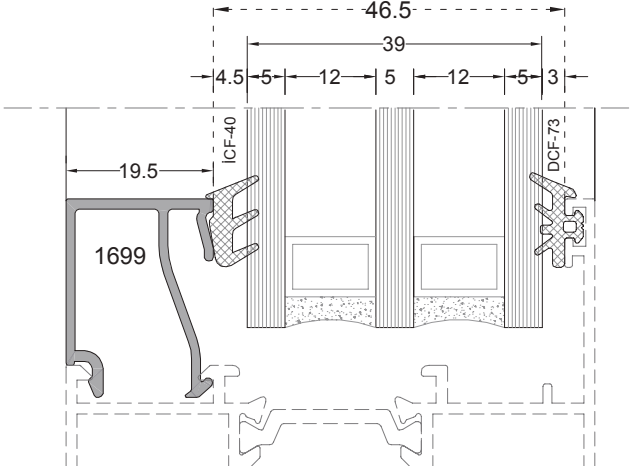
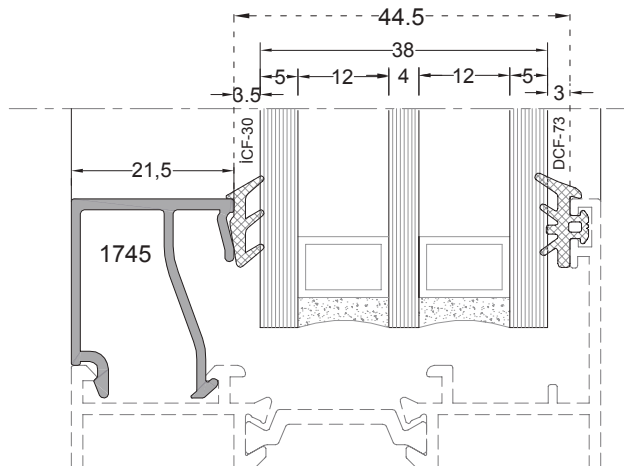
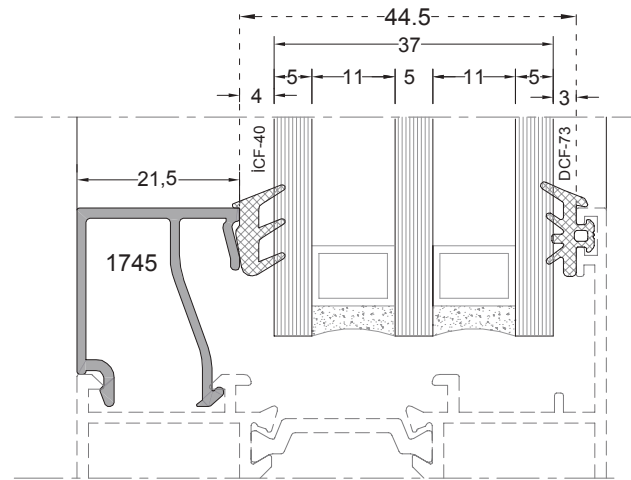
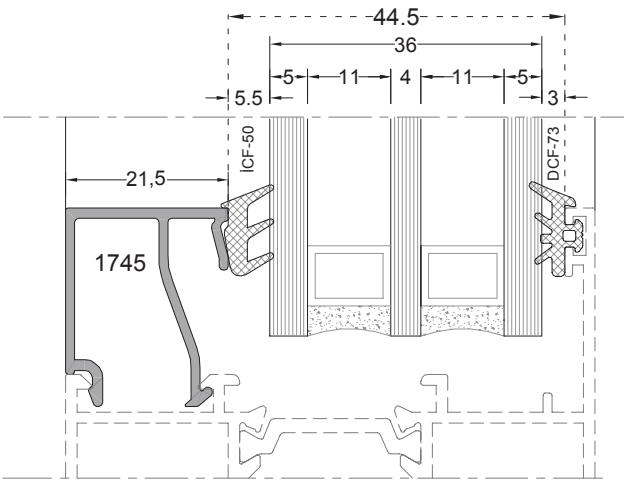
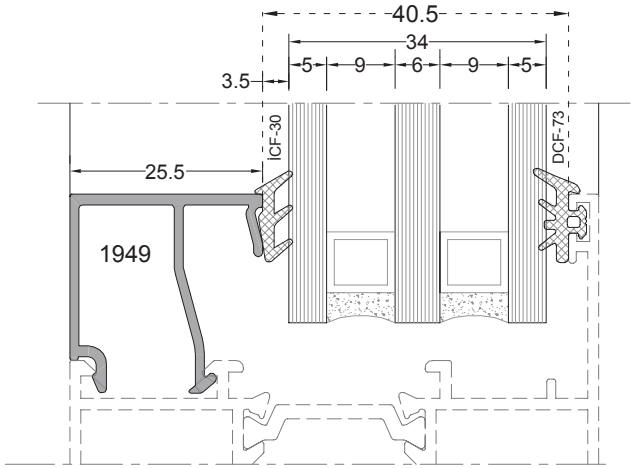
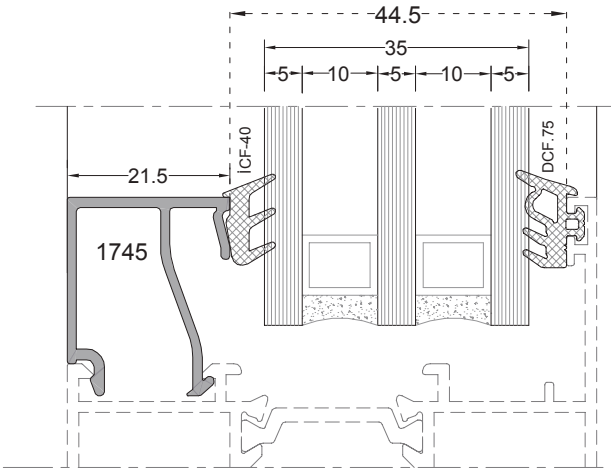
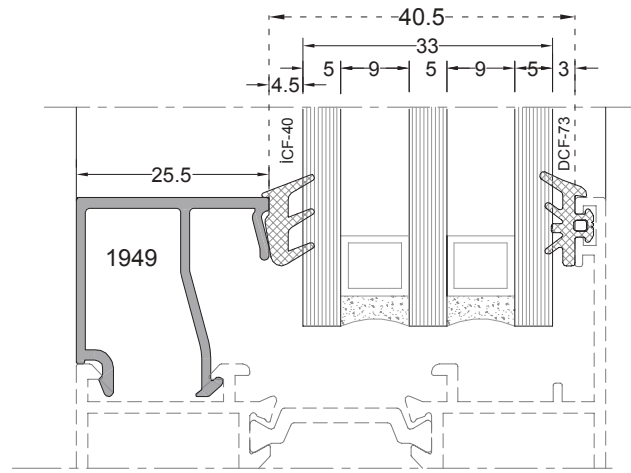
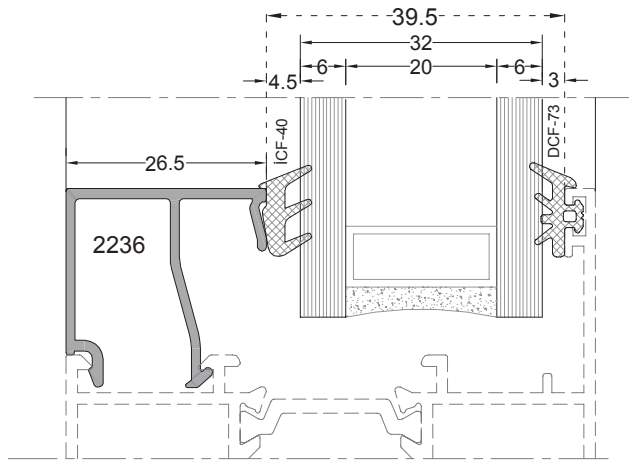


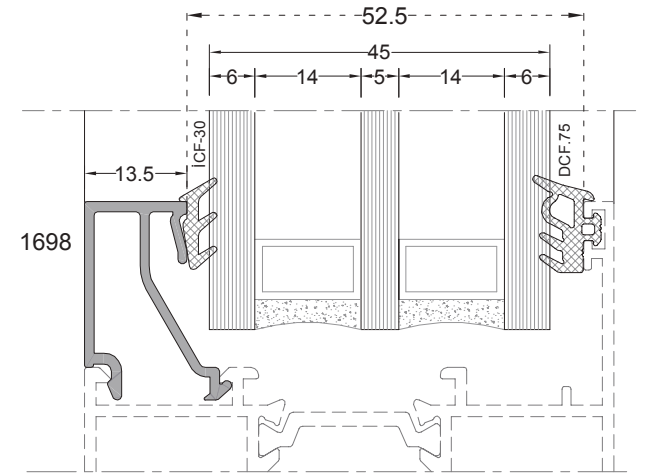
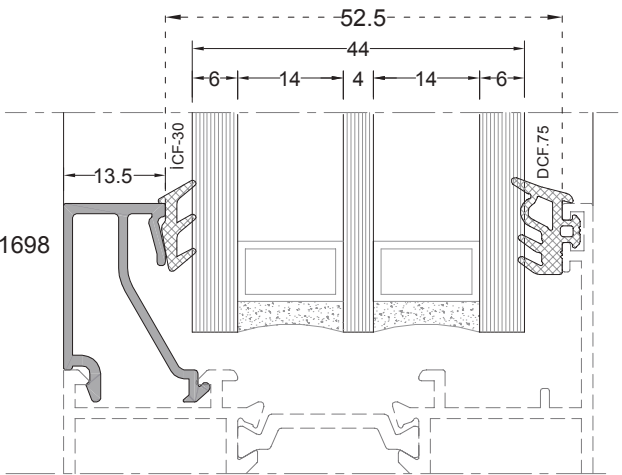
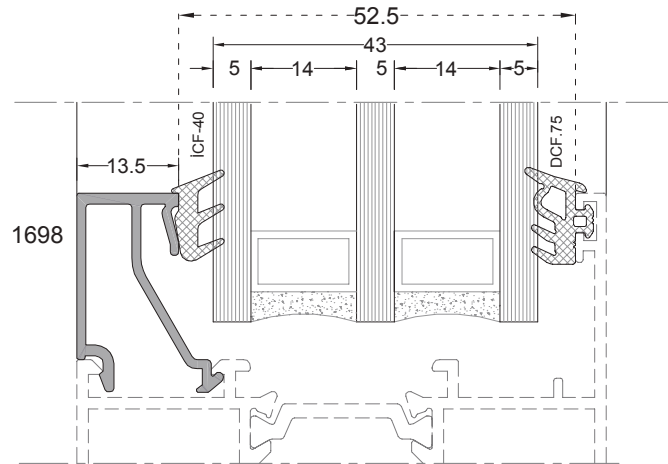
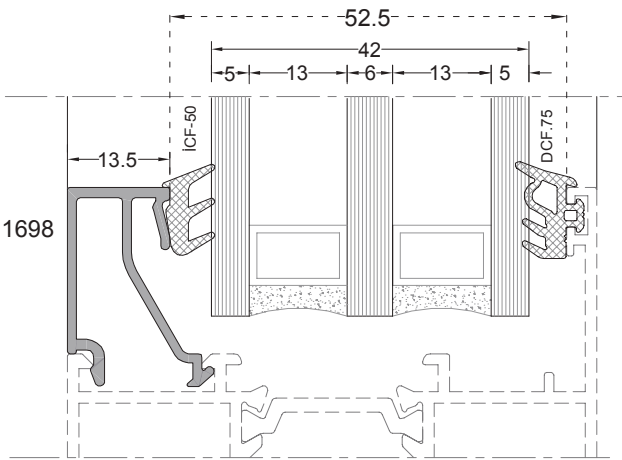
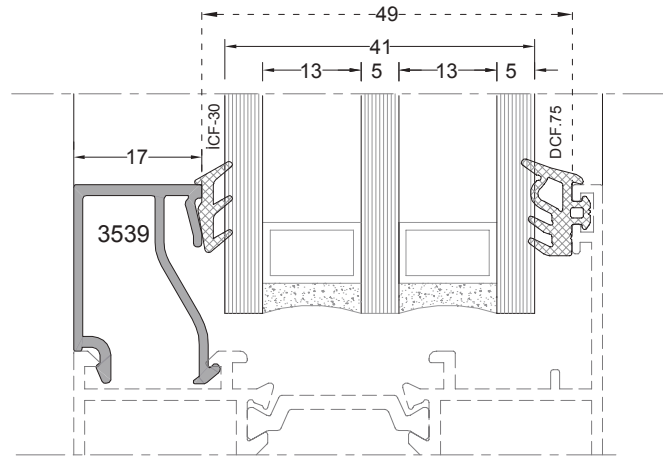
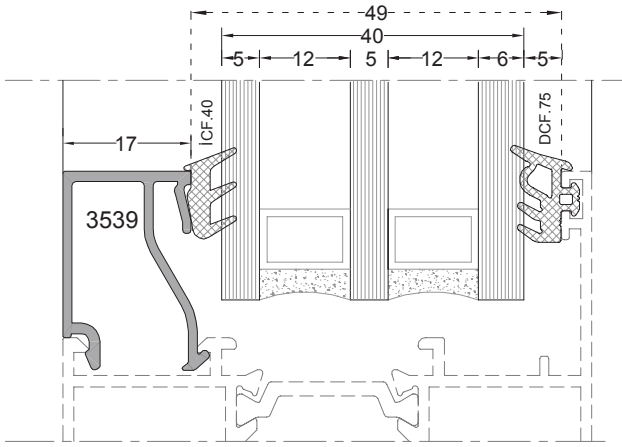
CAM ÇİTASI GLAZING BEAD (G)	CAM ÇİTASI UZUNLUĞU GLAZING BEAD LENGTH (L)	İÇ CAM FİTİLİ GLAZING GASKET(inside) (I)	CAM KALINLIĞI GLASS THICKNESS (T)	DIŞ CAM FİTİLİ GLAZING GASKET(outside) (O)
1745	21,5 mm	İCF.50	36 mm	DCF.73
1745	21,5 mm	İCF.40	37 mm	DCF.73
1745	21,5 mm	İCF.30	38 mm	DCF.73
1699	19,5 mm	İCF.40	39 mm	DCF.73
3539	17,5 mm	İCF.40	40 mm	DCF.75
3539	17,5 mm	İCF.30	41 mm	DCF.75
1698	13,5 mm	İCF.50	42 mm	DCF.75
1698	13,5 mm	İCF.40	43 mm	DCF.75
1698	13,5 mm	İCF.30	44 mm	DCF.75
1698	13,5 mm	İCF.30	45 mm	DCF.75

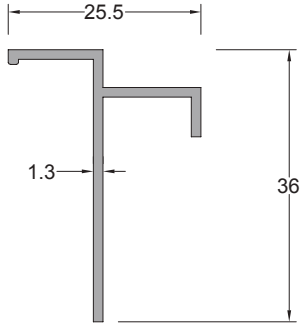




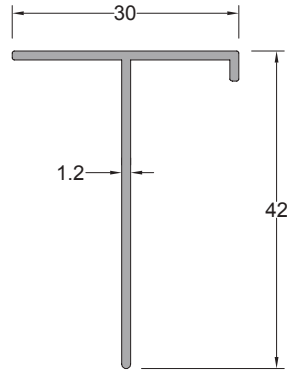




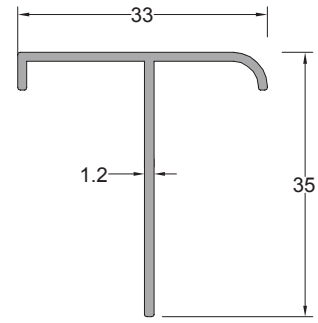




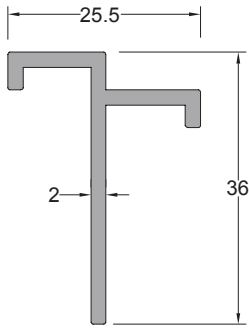
T Bağlantı Profili T CONNECTION PROFILE	Profil Kodu Profile Code	(kg/mt) Weight
	1121	0,232



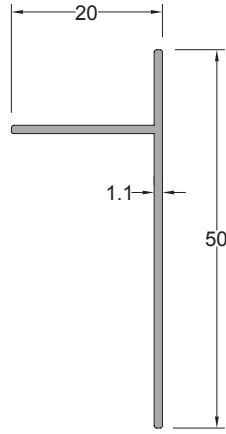
T Bağlantı Profili T CONNECTION PROFILE	Profil Kodu Profile Code	(kg/mt) Weight
	1035	0,239



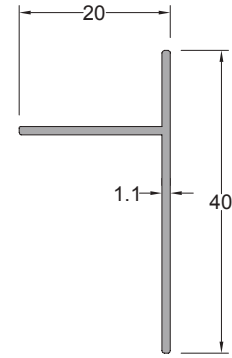
T Bağlantı Profili T CONNECTION PROFILE	Profil Kodu Profile Code	(kg/mt) Weight
	1139	0,239



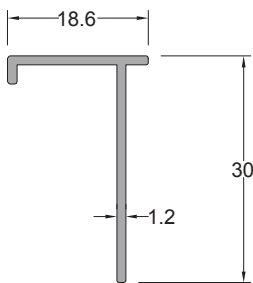
T Bağlantı Profili T CONNECTION PROFILE	Profil Kodu Profile Code	(kg/mt) Weight
	1123	0,355



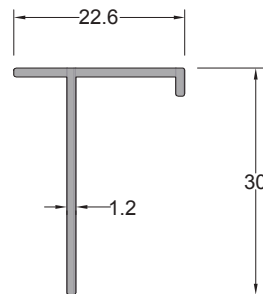
T Bağlantı Profili T CONNECTION PROFILE	Profil Kodu Profile Code	(kg/mt) Weight
	5788	0,205



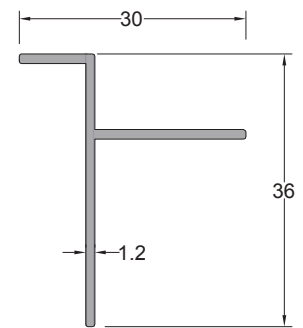
T Bağlantı Profili T CONNECTION PROFILE	Profil Kodu Profile Code	(kg/mt) Weight
	6414	0,175



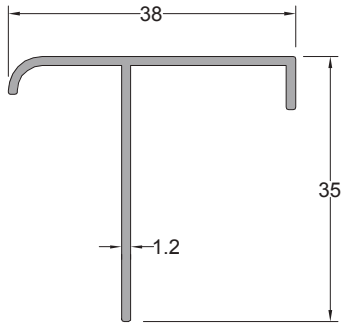
T Bağlantı Profili T CONNECTION PROFILE	Profil Kodu Profile Code	(kg/mt) Weight
	3917	0,162



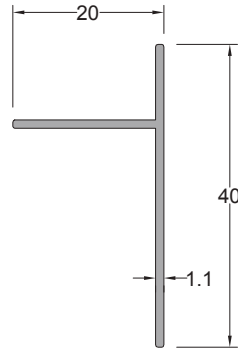
T Bağlantı Profili T CONNECTION PROFILE	Profil Kodu Profile Code	(kg/mt) Weight
	3832	0,175



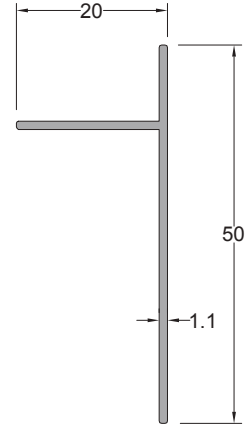
T Bağlantı Profili T CONNECTION PROFILE	Profil Kodu Profile Code	(kg/mt) Weight
	3818	0,210



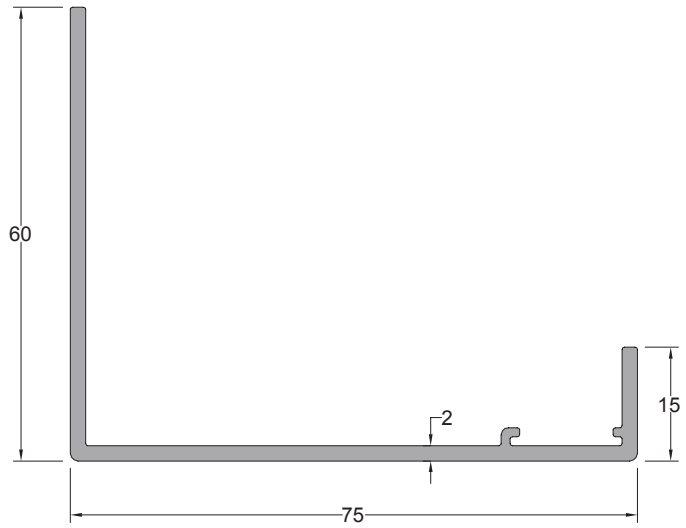
T Bağlantı Profili	Profil Kodu	(kg/mt)
T CONNECTION PROFILE	Profile Code	Weight
	7039	0,260



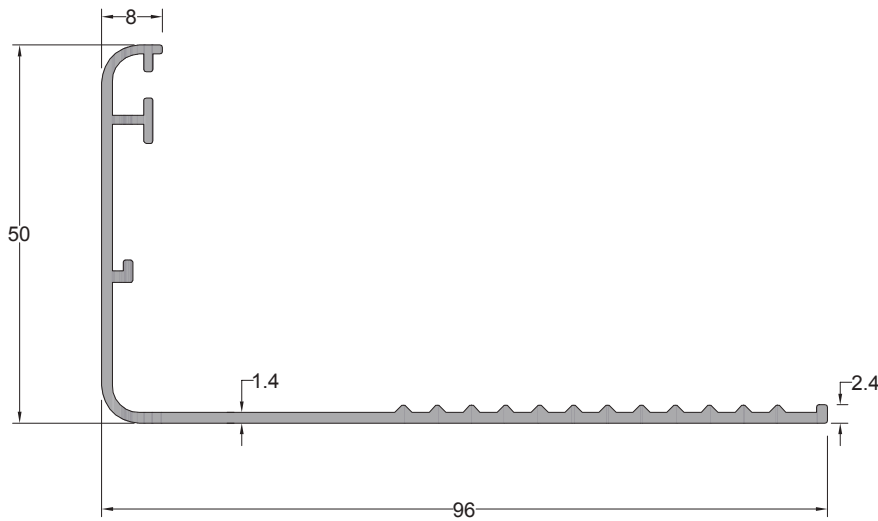
T Bağlantı Profili	Profil Kodu	(kg/mt)
T CONNECTION PROFILE	Profile Code	Weight
	6414	0,175



T Bağlantı Profili	Profil Kodu	(kg/mt)
T CONNECTION PROFILE	Profile Code	Weight
	5788	0,205

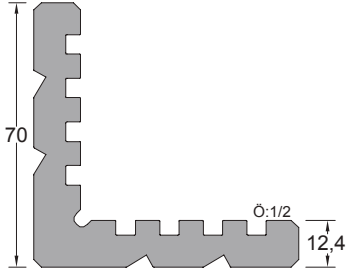


Pervaz Profili	Profil Kodu	(kg/mt)
SILL PROFILE	Profile Code	Weight
	10012	0,805



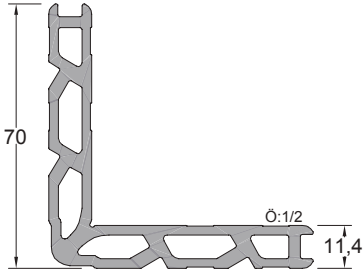
Pervaz Profili	Profil Kodu	(kg/mt)
SILL PROFILE	Profile Code	Weight
	553	0,656

** Her profil için minimum sipariş 300 kg'dır.
** Minimum order quantity is 300 kg per profile.



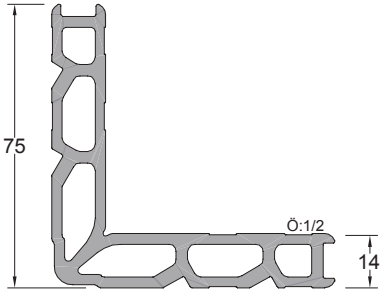
Köşe Takoz Profili CORNER WEDGE PROFILE	Profil Kodu Profile Code	(kg/mt) Weight
	413	3,667

Köşe Takozu Profil Kodu Corner Wedge Profile Code	Kullanıldığı Profil Compatible Profile	Kesim Boyu (mm) Cutting Length (mm)
413	7009	12,00 mm
	7016	26,50 mm



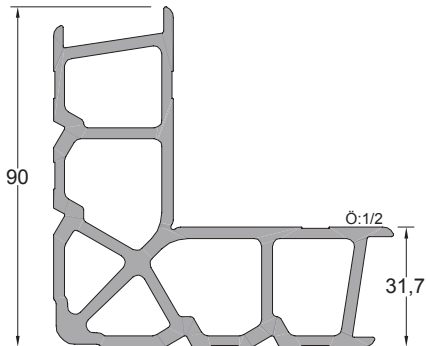
Köşe Takoz Profili CORNER WEDGE PROFILE	Profil Kodu Profile Code	(kg/mt) Weight
	5022	2,245

Köşe Takozu Profil Kodu Corner Wedge Profile Code	Kullanıldığı Profil Compatible Profile	Kesim Boyu (mm) Cutting Length (mm)
5022	7008	26,50 mm



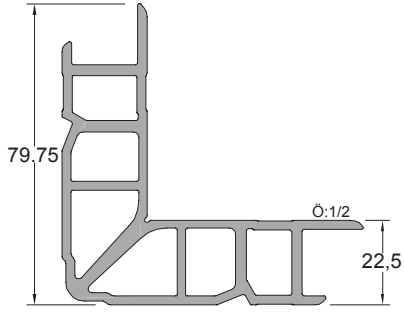
Köşe Takoz Profili CORNER WEDGE PROFILE	Profil Kodu Profile Code	(kg/mt) Weight
	1662	2,576

Köşe Takozu Profil Kodu Corner Wedge Profile Code	Kullanıldığı Profil Compatible Profile	Kesim Boyu (mm) Cutting Length (mm)
1662	7018	27,00 mm
	7058	26,40 mm



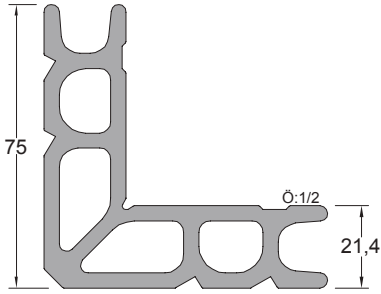
Köşe Takoz Profili CORNER WEDGE PROFILE	Profil Kodu Profile Code	(kg/mt) Weight
	7022	3,952

Köşe Takozu Profil Kodu Corner Wedge Profile Code	Kullanıldığı Profil Compatible Profile	Kesim Boyu (mm) Cutting Length (mm)
7022	7042	12,00 mm



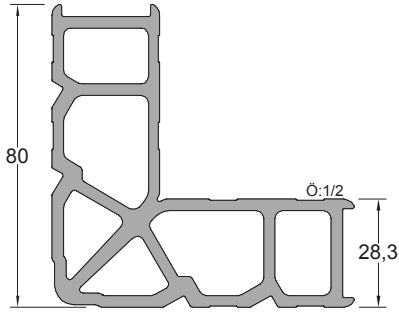
Köşe Takoz Profili CORNER WEDGE PROFILE	Profil Kodu Profile Code	(kg/mt) Weight
	3088	2,608

Köşe Takozu Profil Kodu Corner Wedge Profile Code	Kullanıldığı Profil Compatible Profile	Kesim Boyu (mm) Cutting Length (mm)
3088	7004,7005,7038	12,00 mm
	7054	26,50 mm
	7006	30,00 mm
	7007	41,00 mm
	7055,7046	29,00 mm
	7017	27,00 mm
	7011,11824	12,00 mm
	7047	18,50 mm



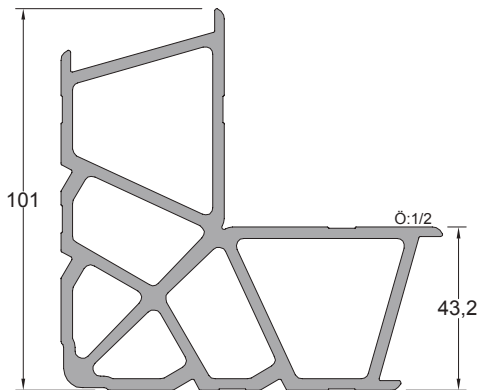
Köşe Takoz Profili CORNER WEDGE PROFILE	Profil Kodu Profile Code	(kg/mt) Weight
	1661	3,629

Köşe Takozu Profil Kodu Corner Wedge Profile Code	Kullanıldığı Profil Compatible Profile	Kesim Boyu (mm) Cutting Length (mm)
1661	7048	26,00 mm
	7049	11,00 mm
	7059	11,40 mm



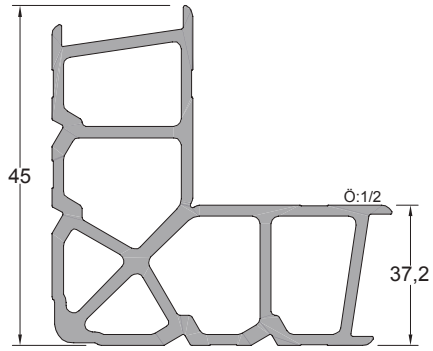
Köşe Takoz Profili CORNER WEDGE PROFILE	Profil Kodu Profile Code	(kg/mt) Weight
	1663	3,526

Köşe Takozu Profil Kodu Corner Wedge Profile Code	Kullanıldığı Profil Compatible Profile	Kesim Boyu (mm) Cutting Length (mm)
1663	7044	19,50 mm
	7045	19,50 mm



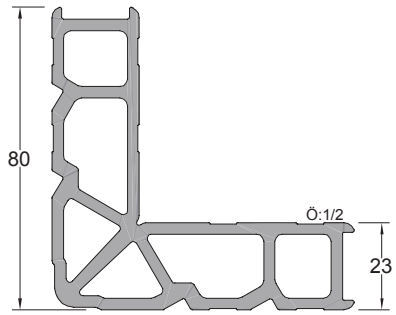
Köşe Takoz Profili CORNER WEDGE PROFILE	Profil Kodu Profile Code	(kg/mt) Weight
	3698	4,241

Köşe Takozu Profil Kodu Corner Wedge Profile Code	Kullanıldığı Profil Compatible Profile	Kesim Boyu (mm) Cutting Length (mm)
3698	7013,7015,11825	12,00 mm
	7012,7014	26,50 mm
	11826	27,00 mm



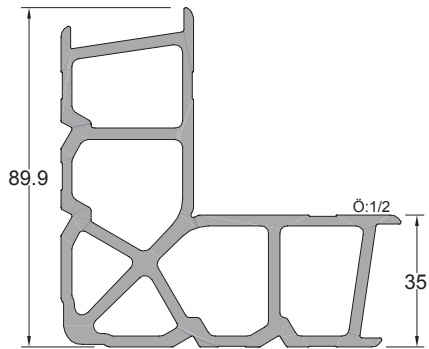
Köşe Takoz Profili CORNER WEDGE PROFILE	Profil Kodu Profile Code	(kg/mt) Weight
	1664	3,991

Köşe Takozu Profil Kodu Corner Wedge Profile Code	Kullanıldığı Profil Compatible Profile	Kesim Boyu (mm) Cutting Length (mm)
1664	7056,7057	18,90 mm



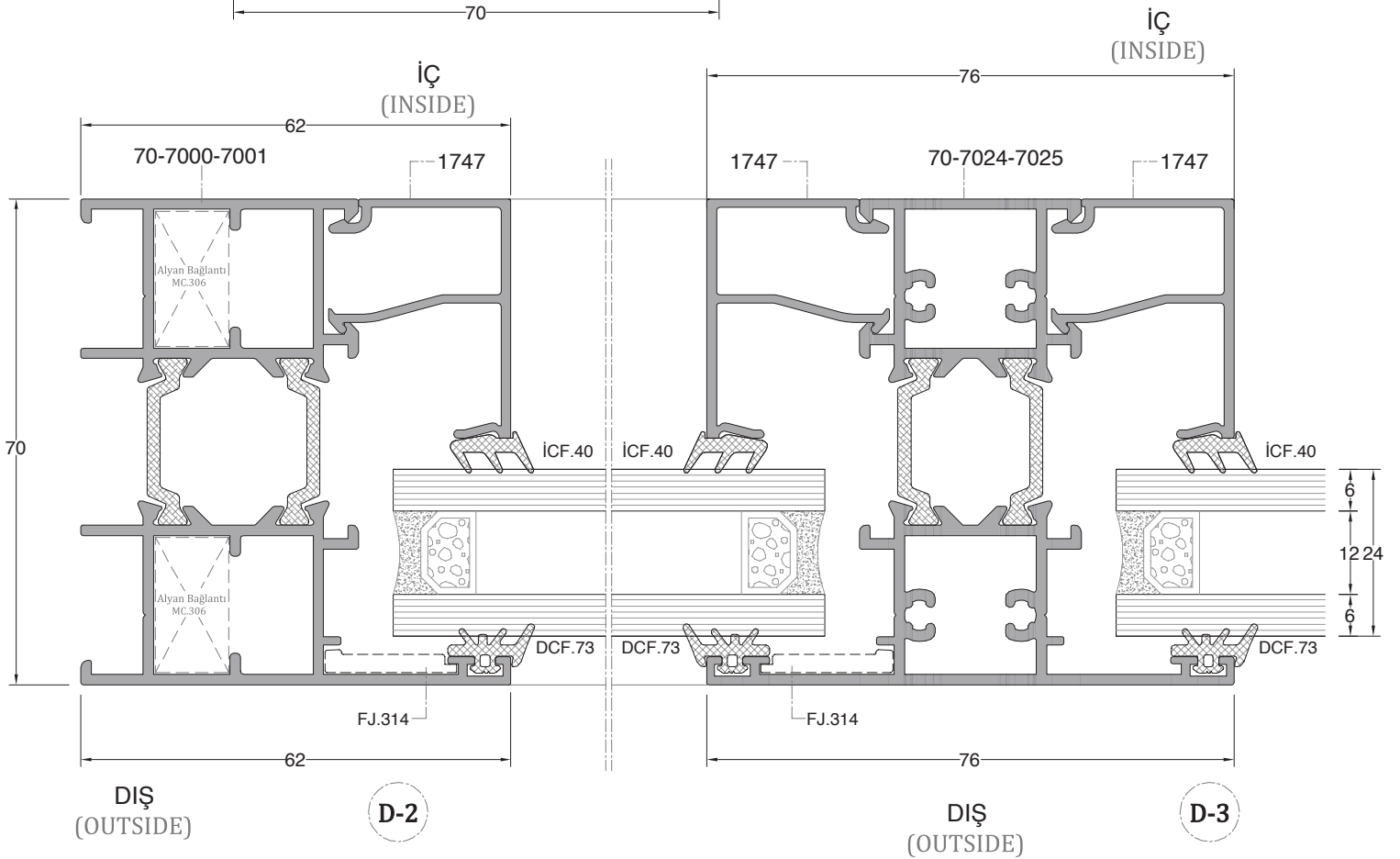
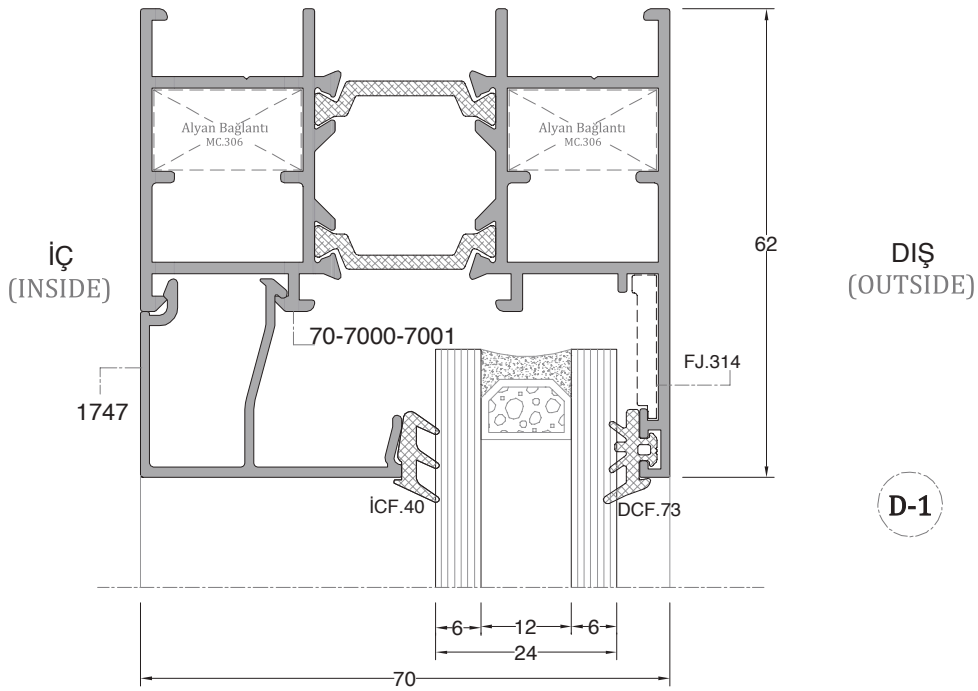
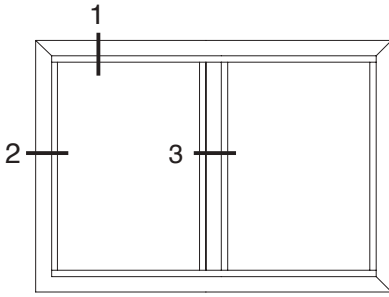
Köşe Takoz Profili CORNER WEDGE PROFILE	Profil Kodu Profile Code	(kg/mt) Weight
	3546	3,357

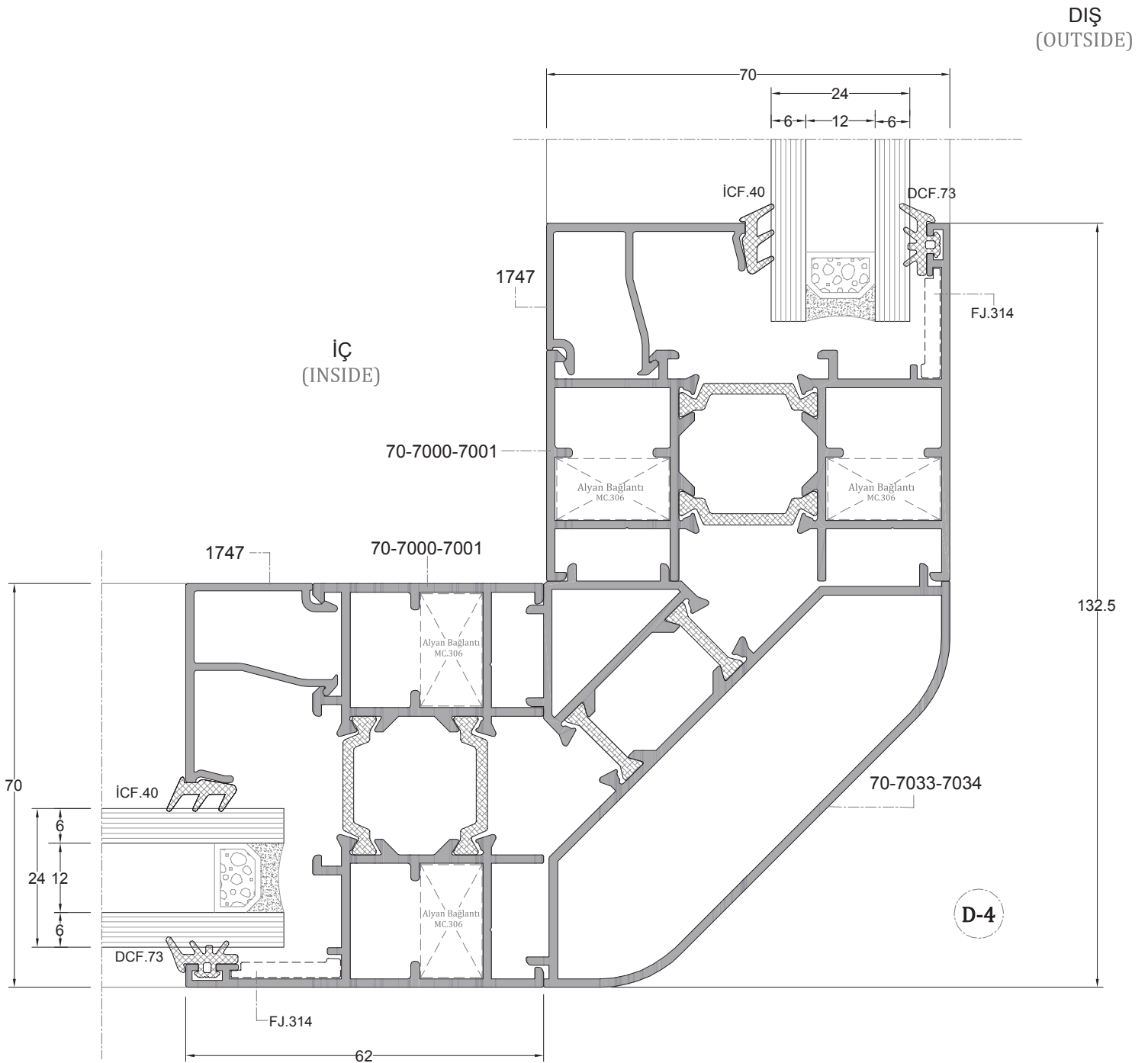
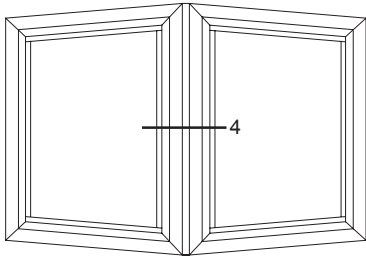
Köşe Takozu Profil Kodu Corner Wedge Profile Code	Kullanıldığı Profil Compatible Profile	Kesim Boyu (mm) Cutting Length (mm)
3546	7041	27,00 mm
	8763	18,90 mm
	8764	18,90 mm

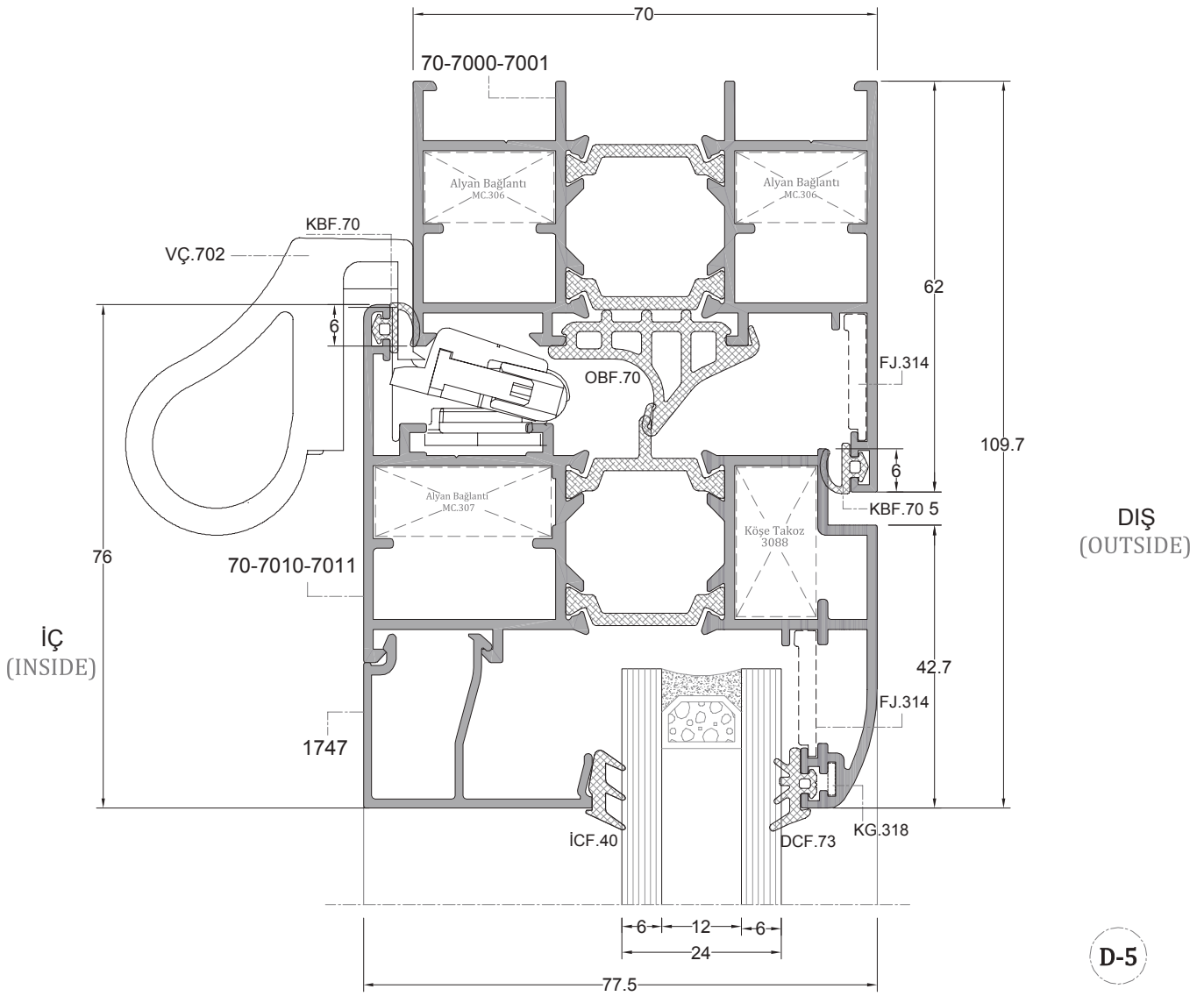
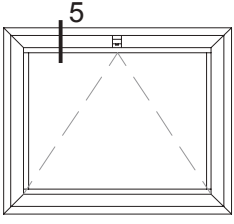


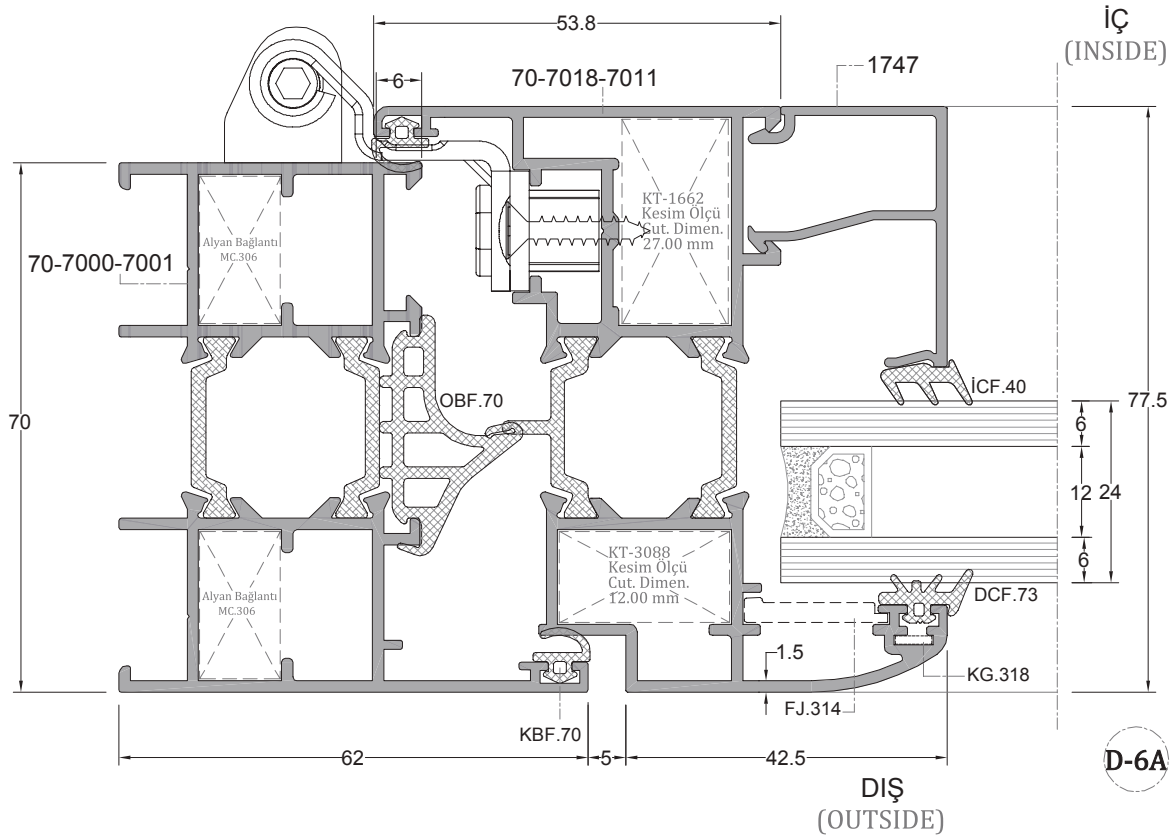
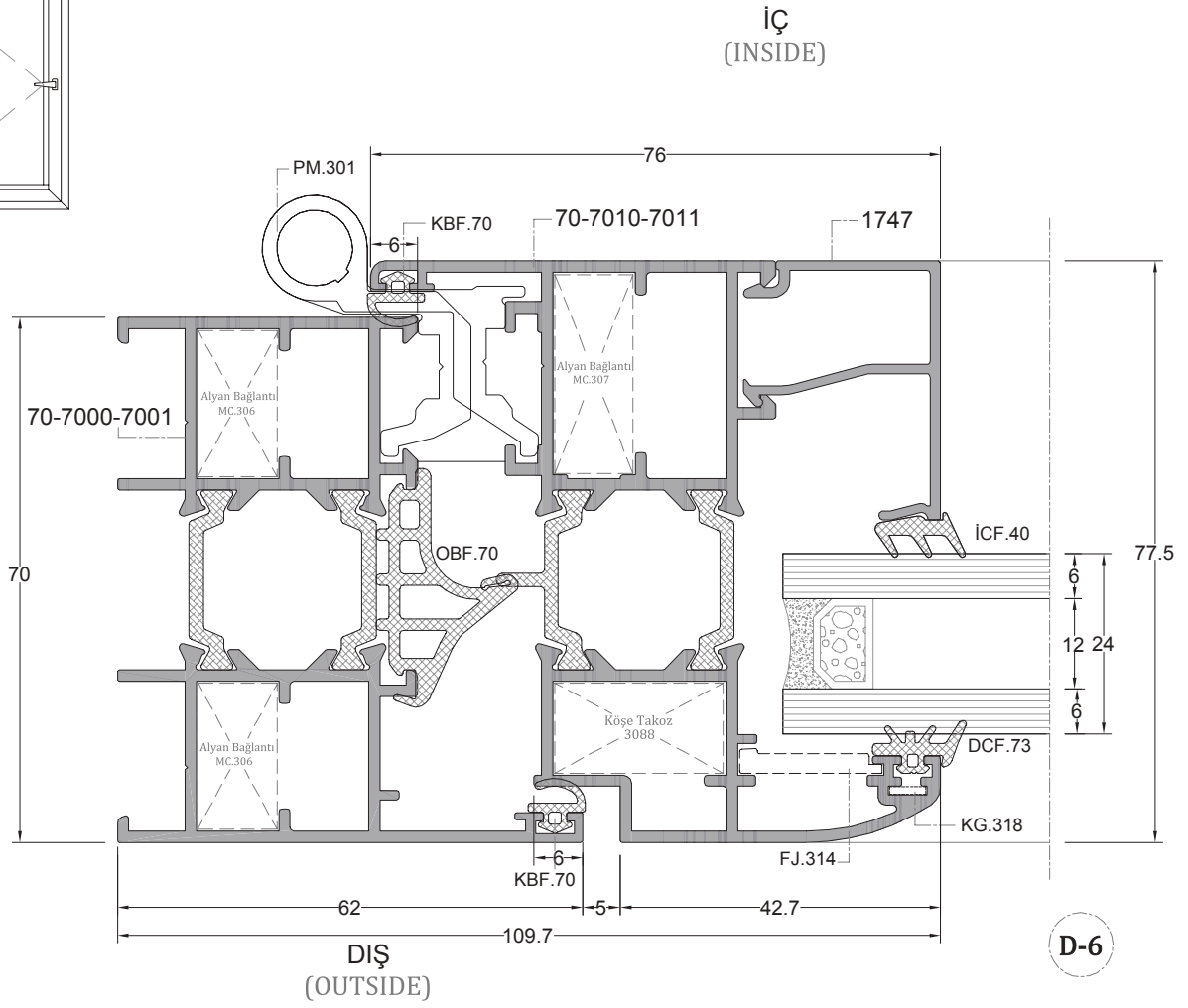
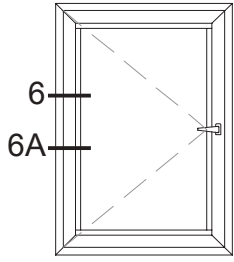
Köşe Takoz Profili CORNER WEDGE PROFILE	Profil Kodu Profile Code	(kg/mt) Weight
	7040	3,398

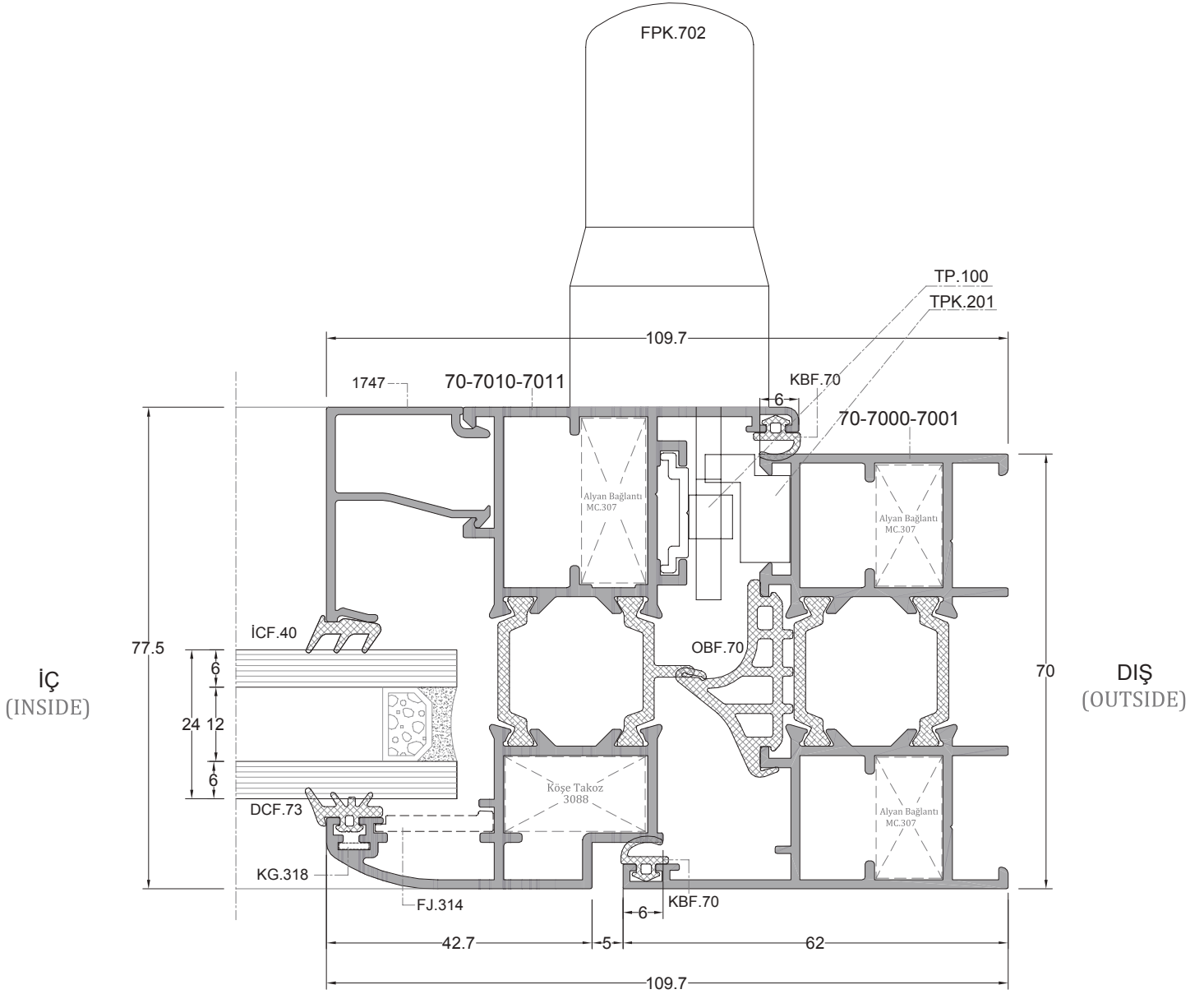
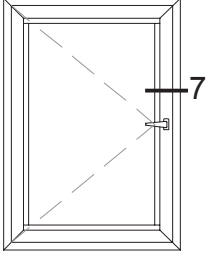
Köşe Takozu Profil Kodu Corner Wedge Profile Code	Kullanıldığı Profil Compatible Profile	Kesim Boyu (mm) Cutting Length (mm)
7040	7019,7020	27,00 mm



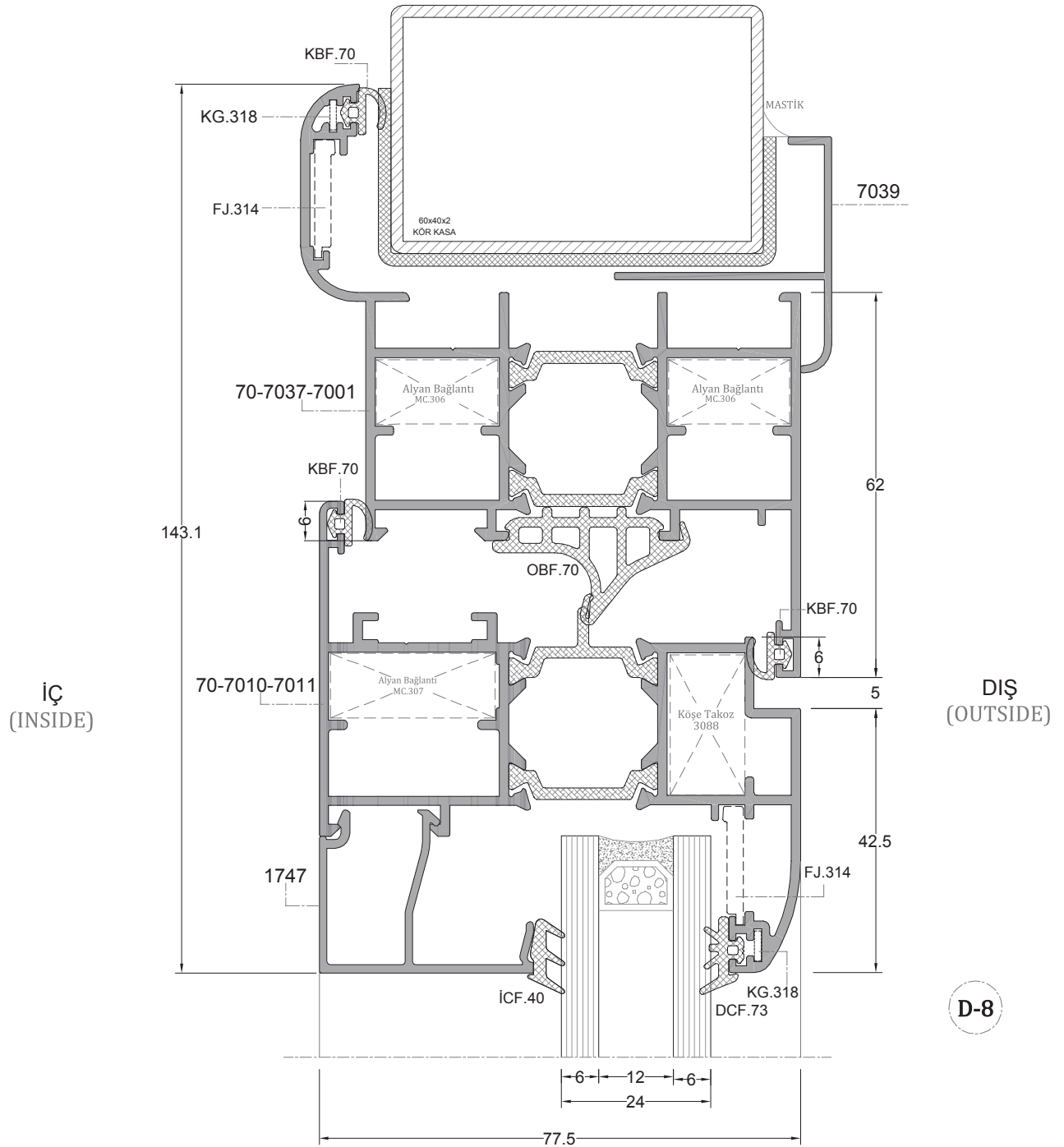
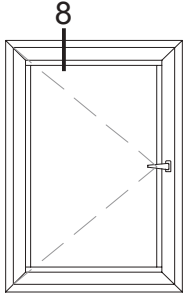


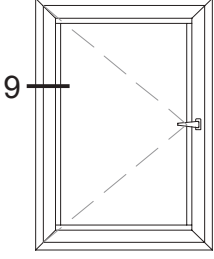




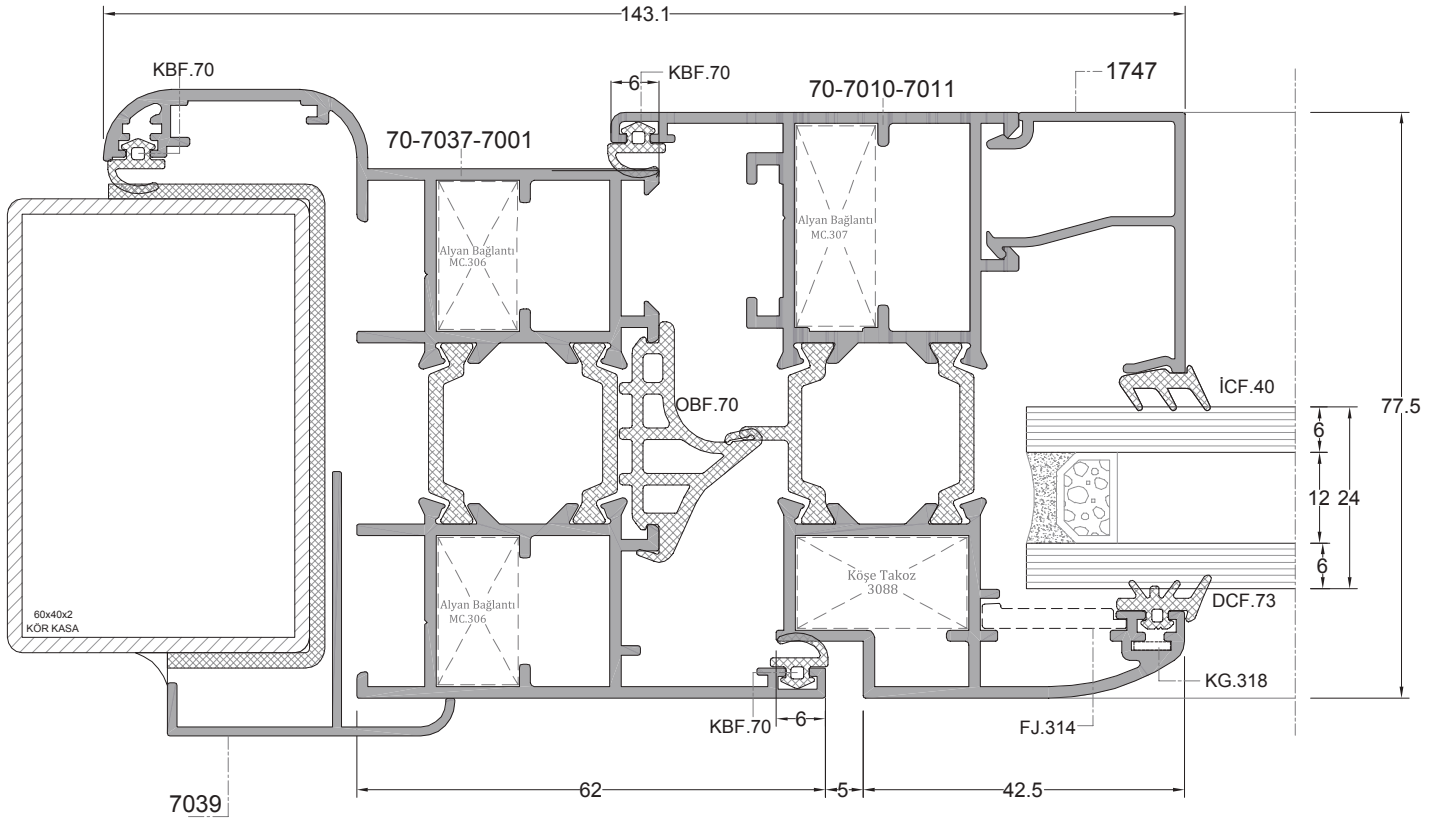


D-7



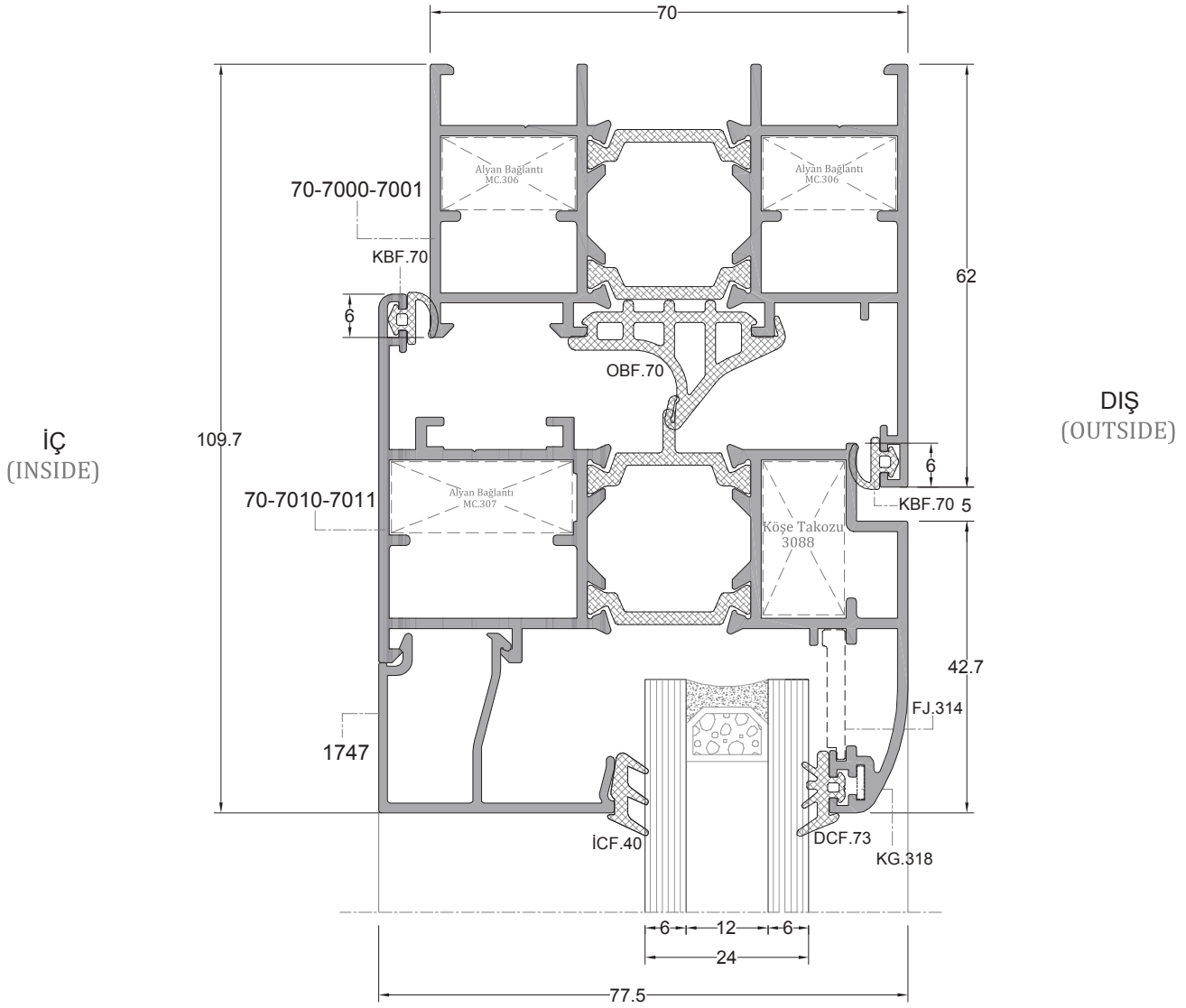
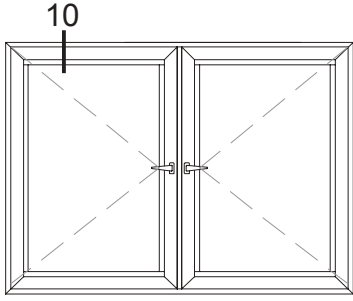


İÇ
(INSIDE)

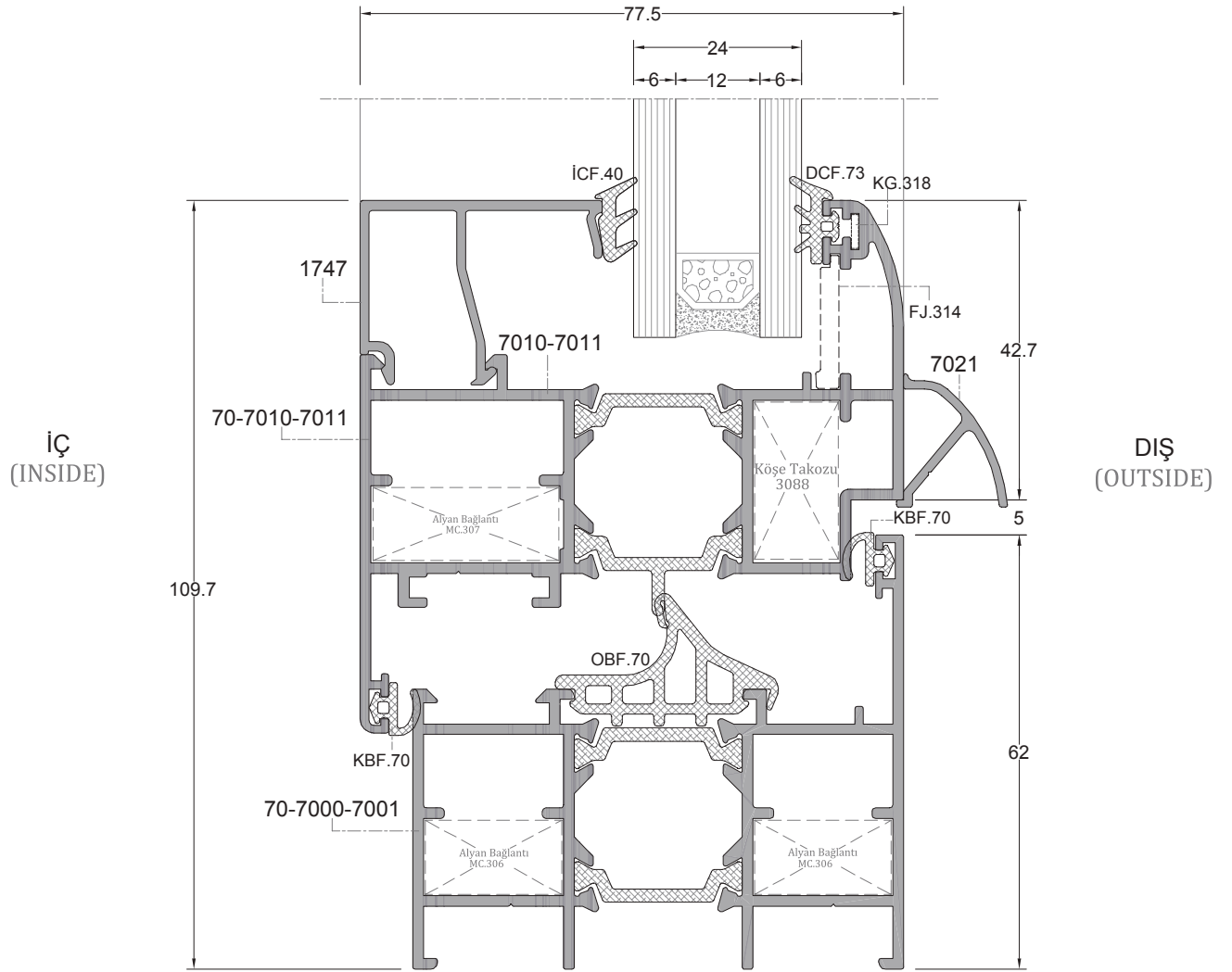
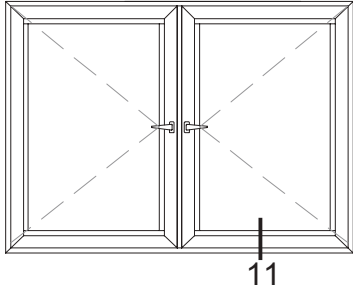


DIŞ
(OUTSIDE)

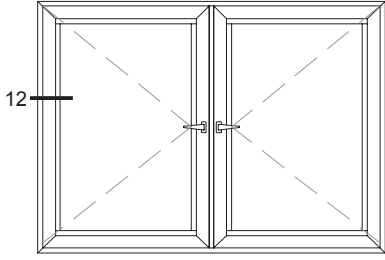
D-9



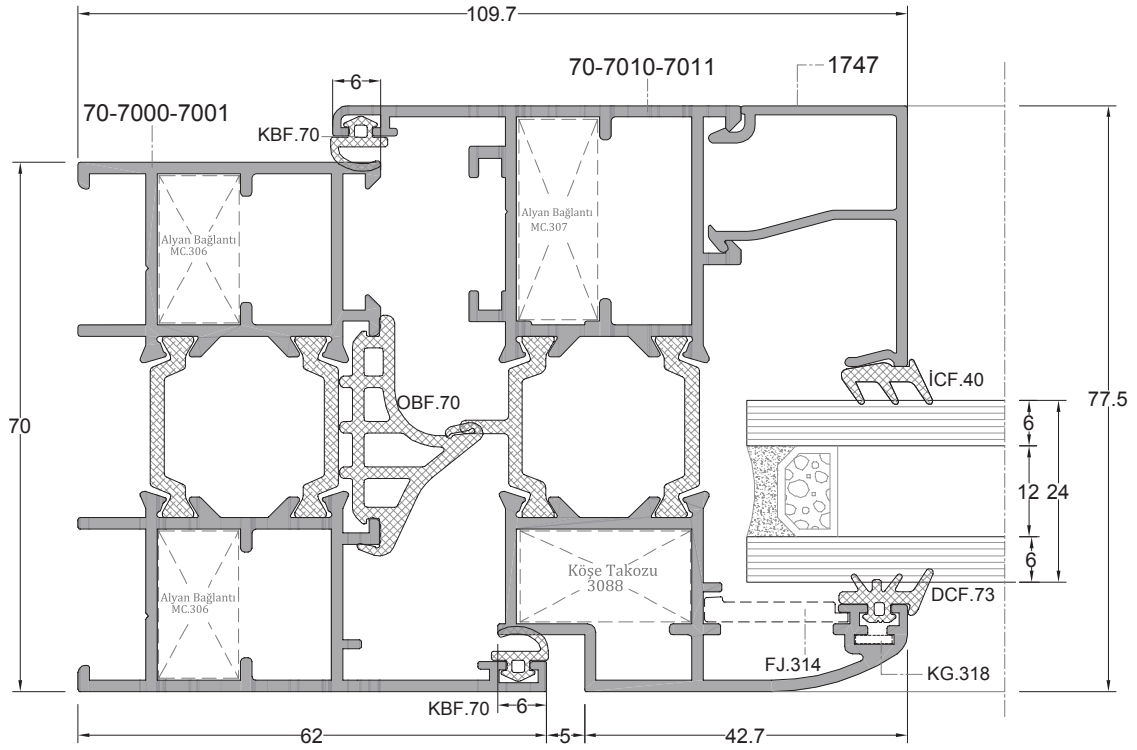
D-10



D-11

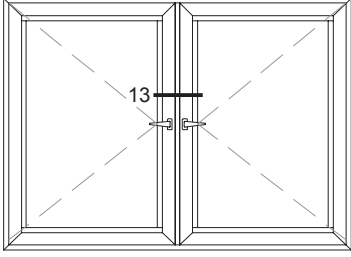


İÇ
(INSIDE)

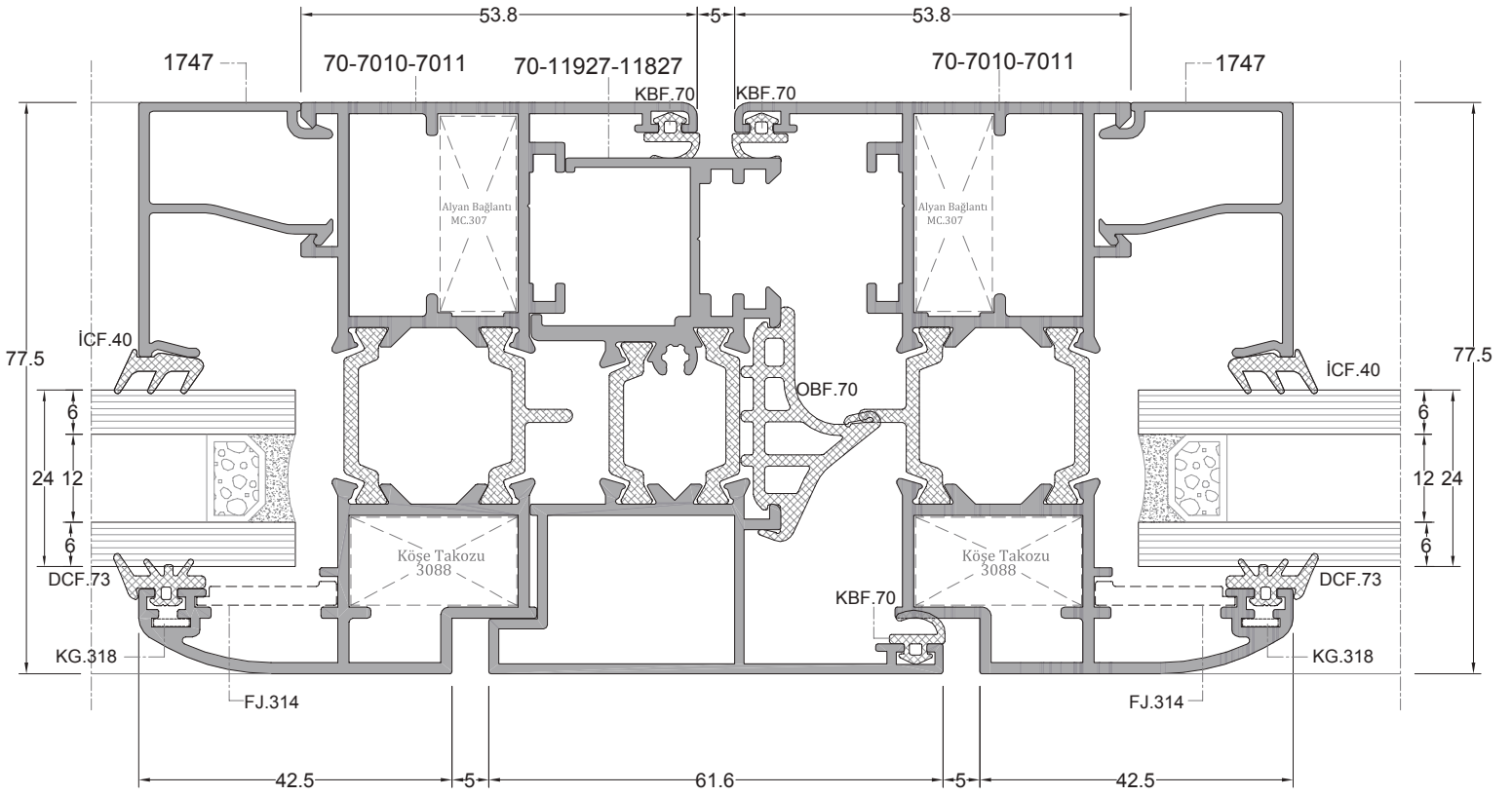


DIŞ
(OUTSIDE)

D-12

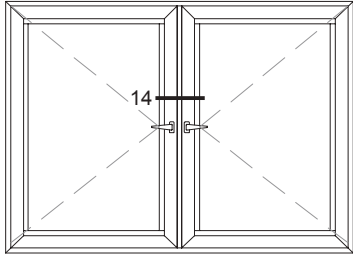


İÇ
(INSIDE)

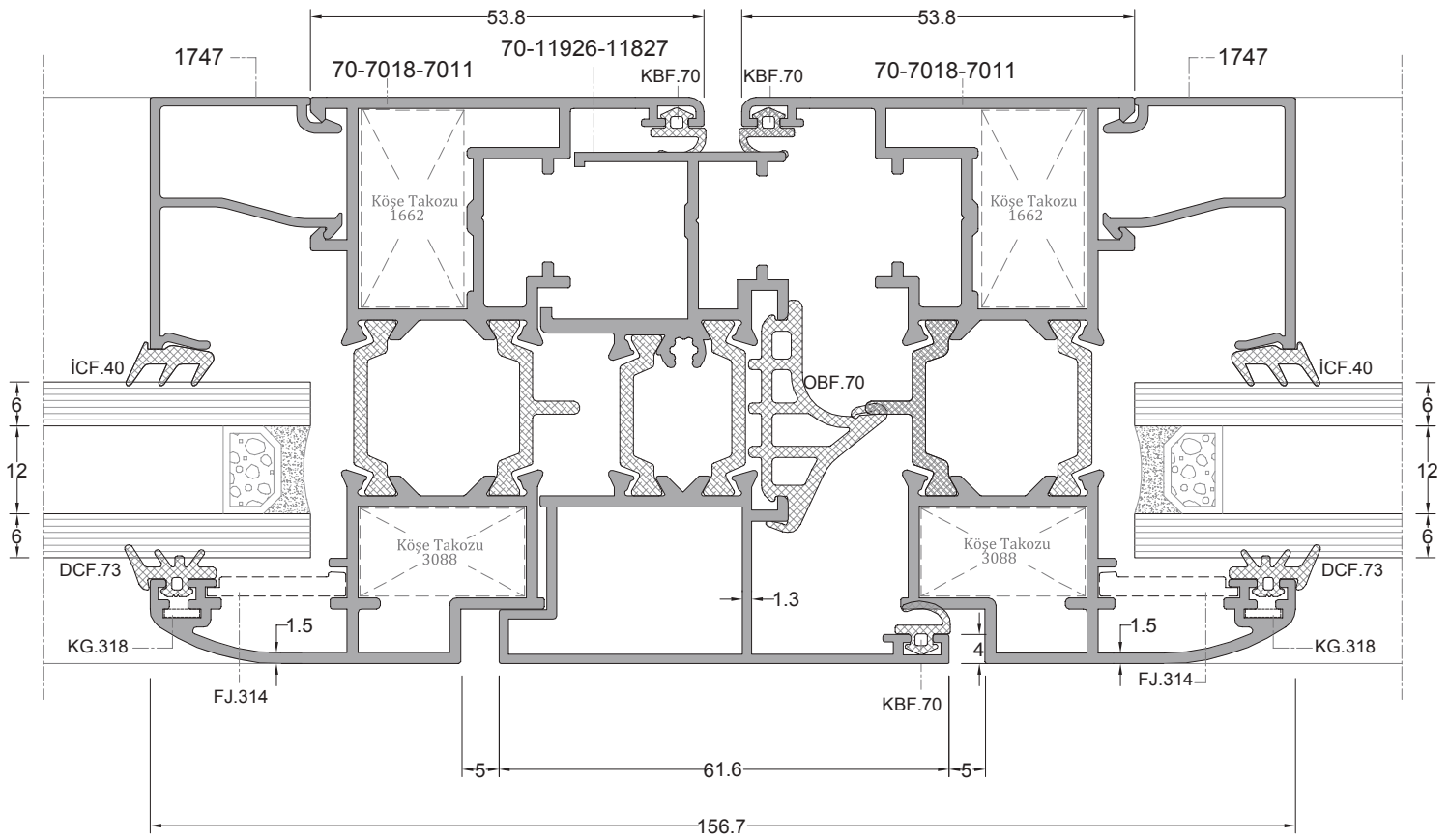


DIŞ
(OUTSIDE)

D-13

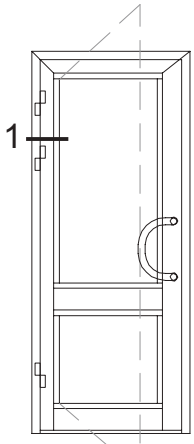


İÇ
(INSIDE)



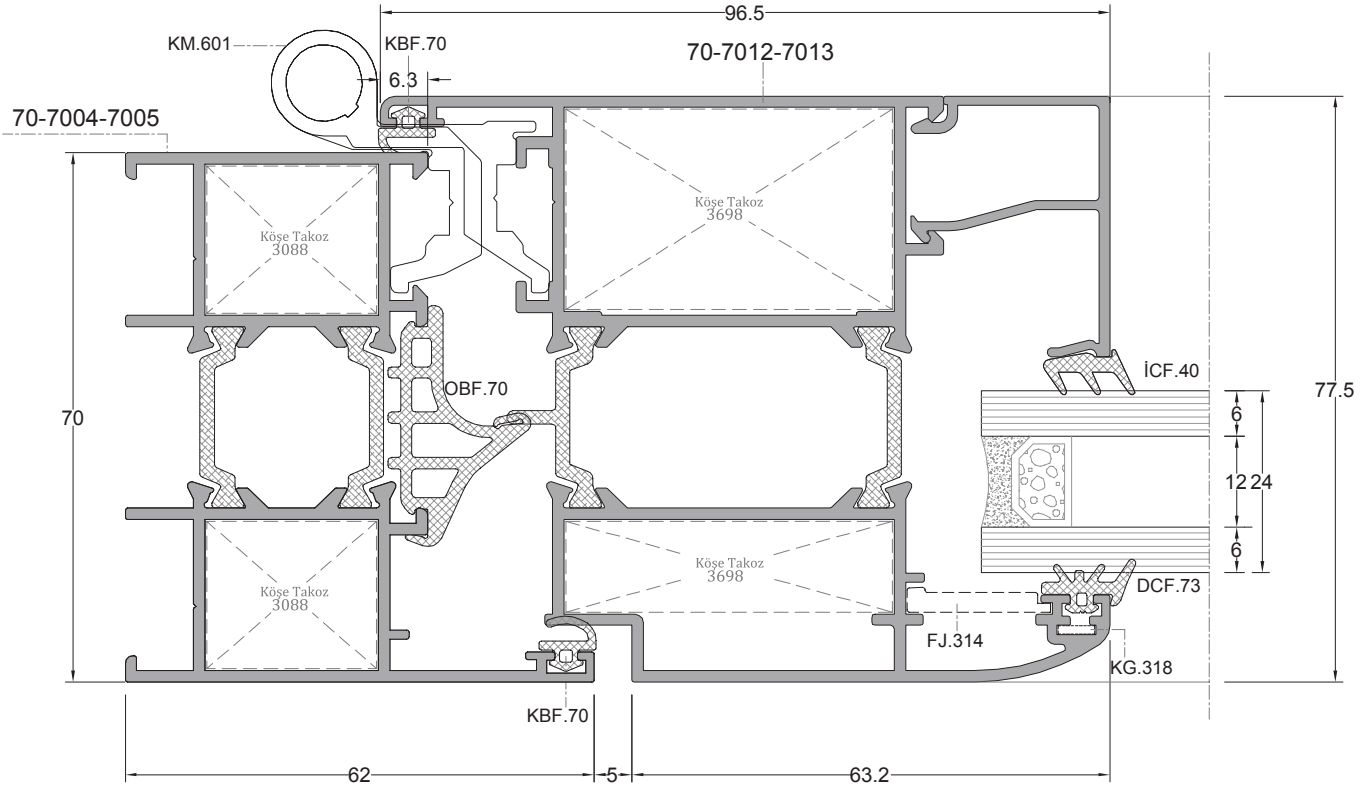
DIŞ
(OUTSIDE)

D-14



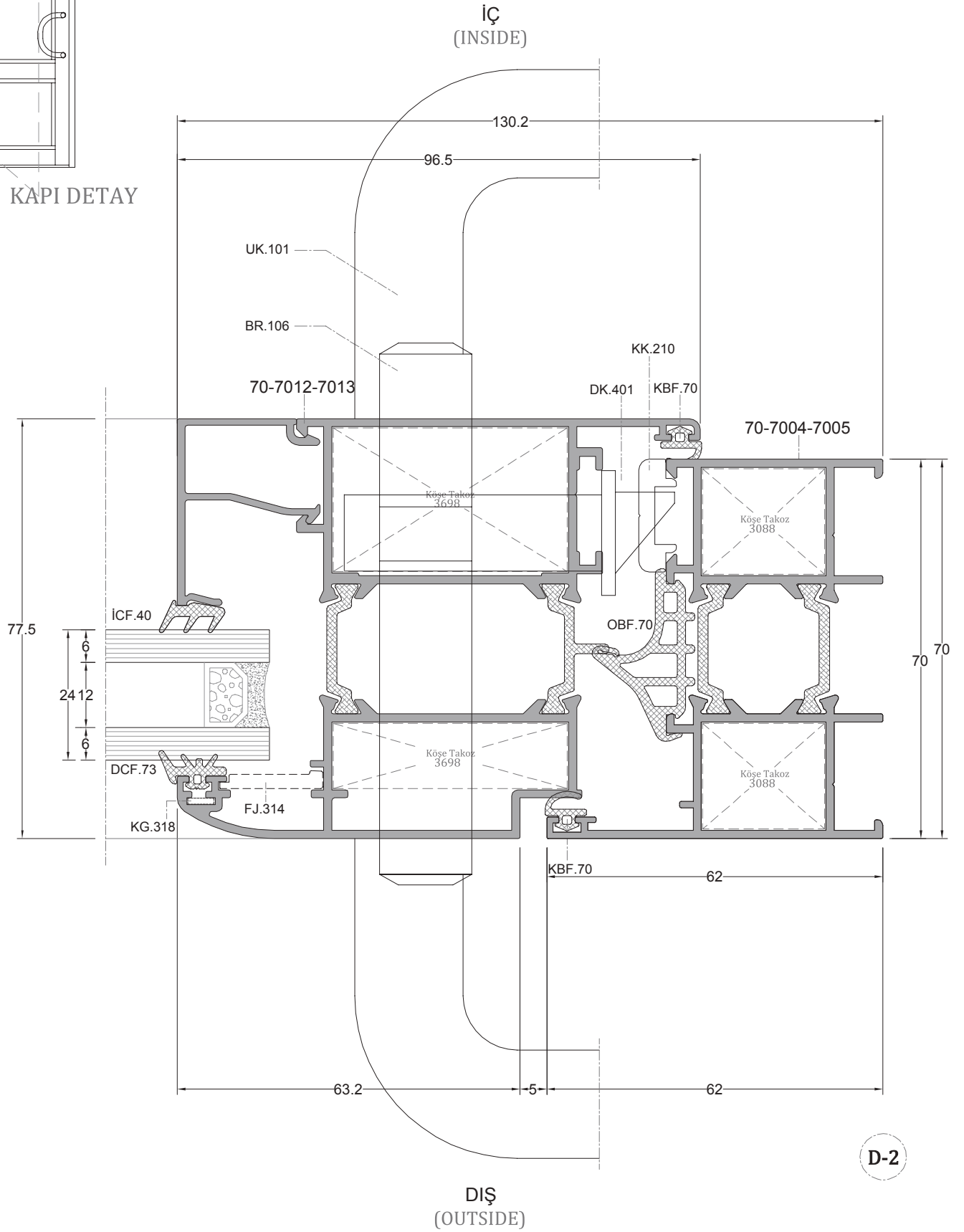
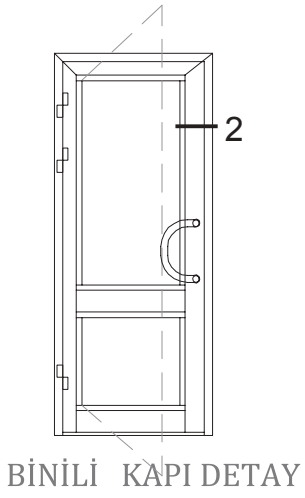
BİNİLİ KAPI DETAY

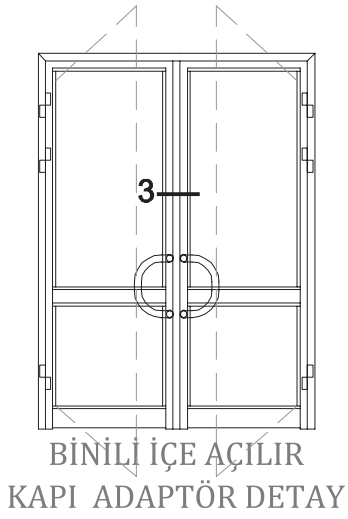
İÇ
(INSIDE)



D-1

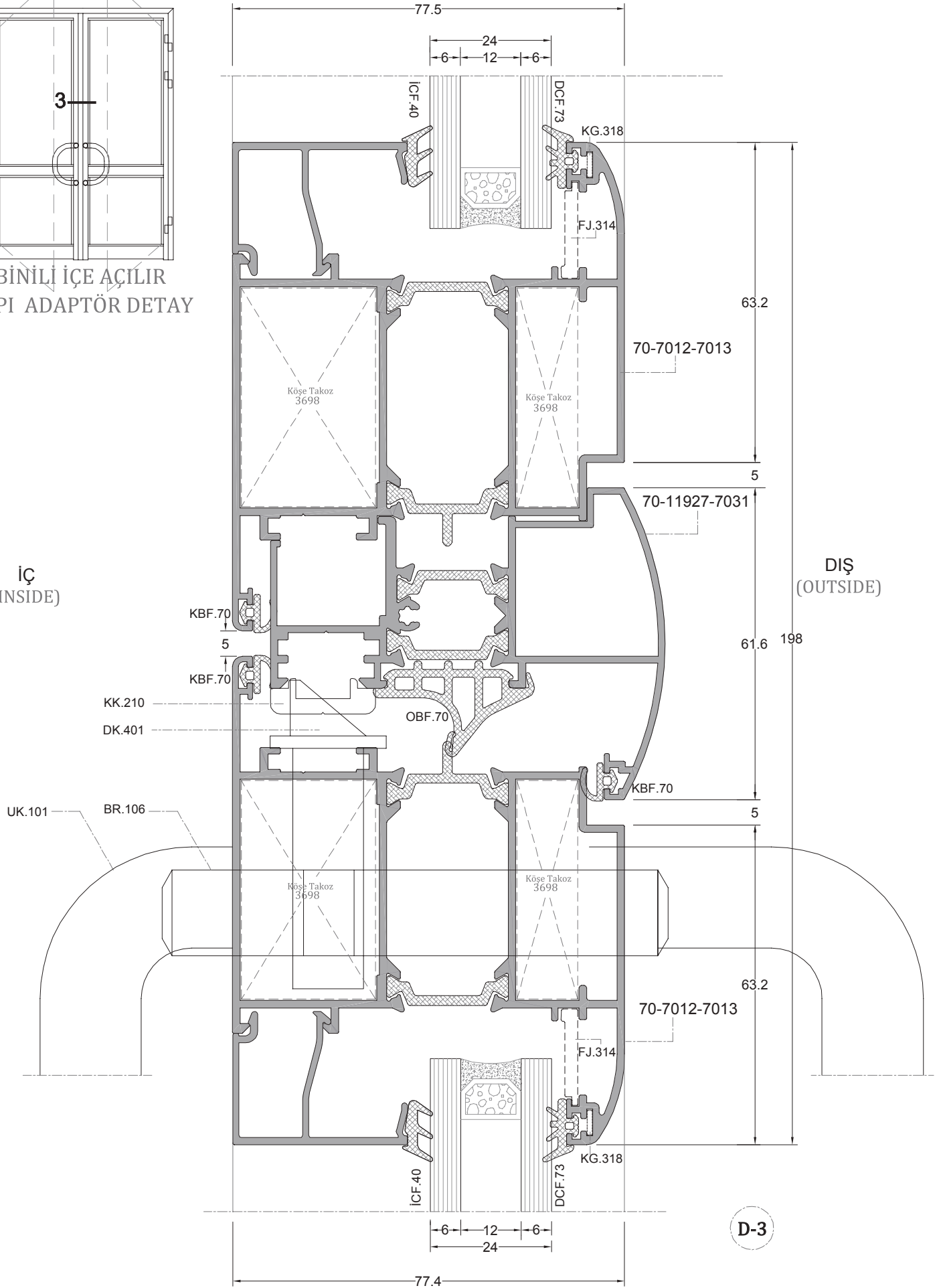
DIŞ
(OUTSIDE)

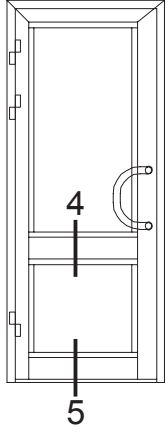




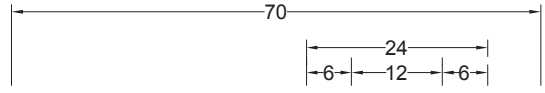
İÇ
(INSIDE)

DIŞ
(OUTSIDE)

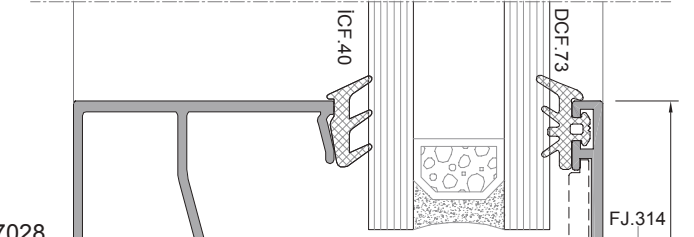




iÇ
(INSIDE)

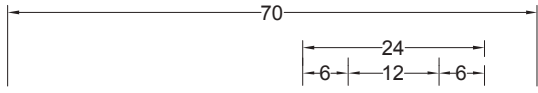


70-7029-7028

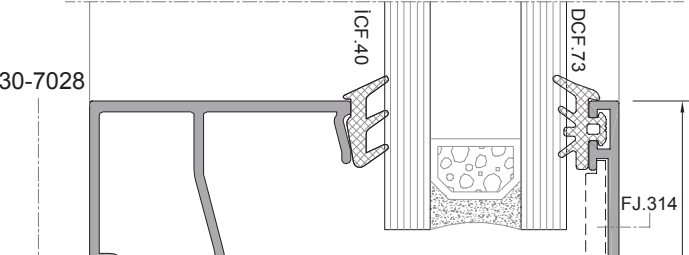


130

iÇ
(INSIDE)

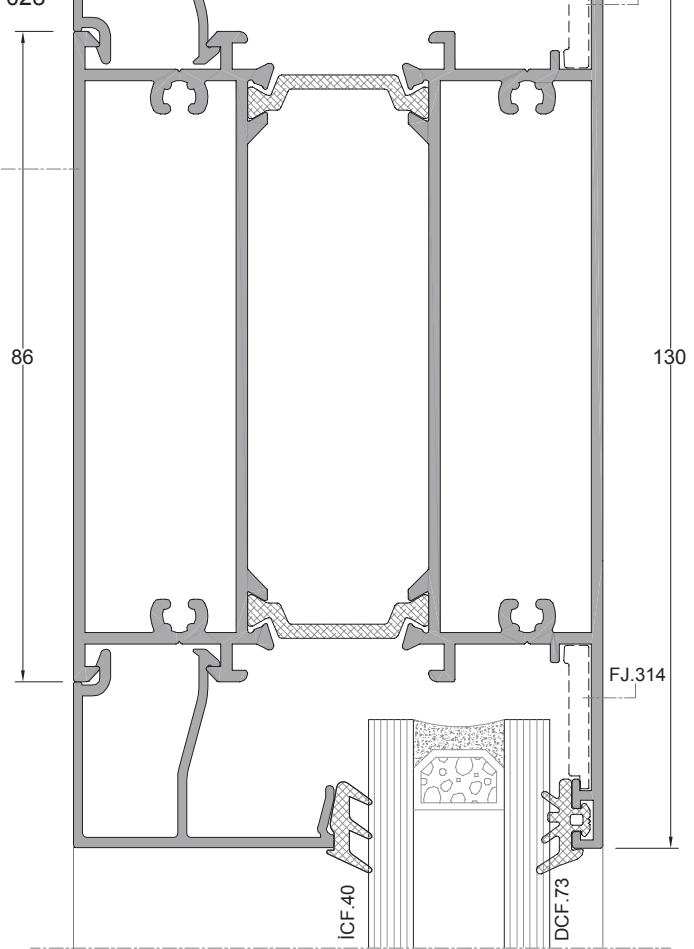


70-7030-7028



108

130

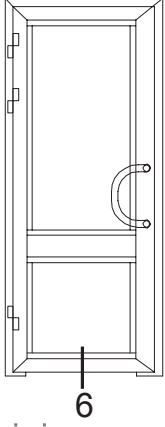


DIŞ
(OUTSIDE)

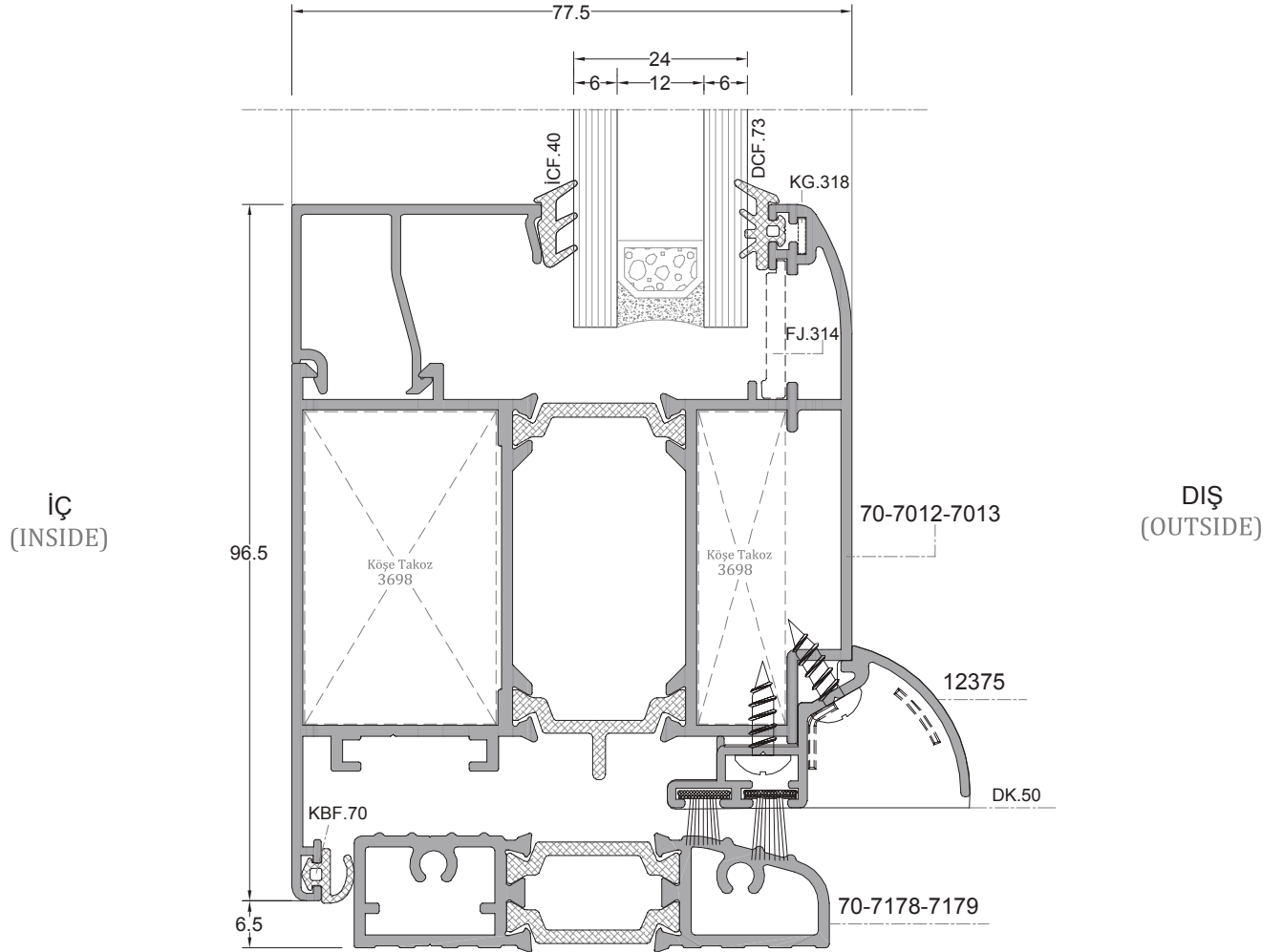
DIŞ
(OUTSIDE)

D-4

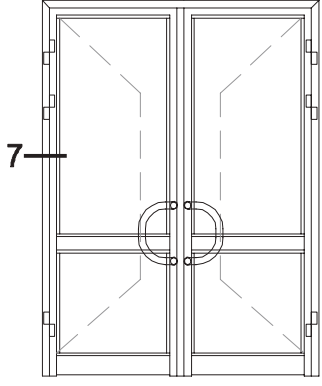
D-5



6
BİNİLİ ALTERNATİF KAPI ETEK
DETAYI

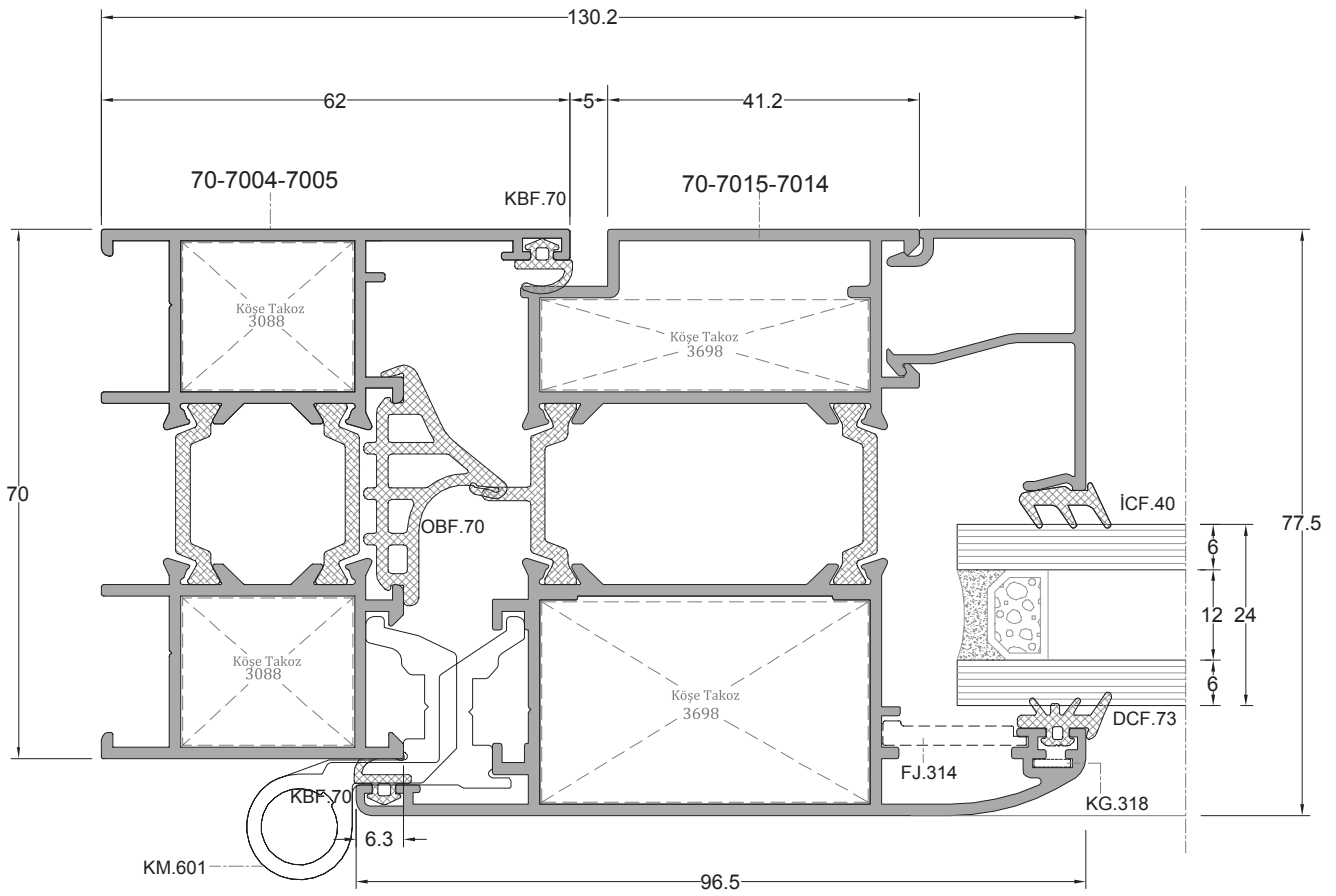


D-6



BİNİLİ DIŞA AÇILIR KAPI DETAY

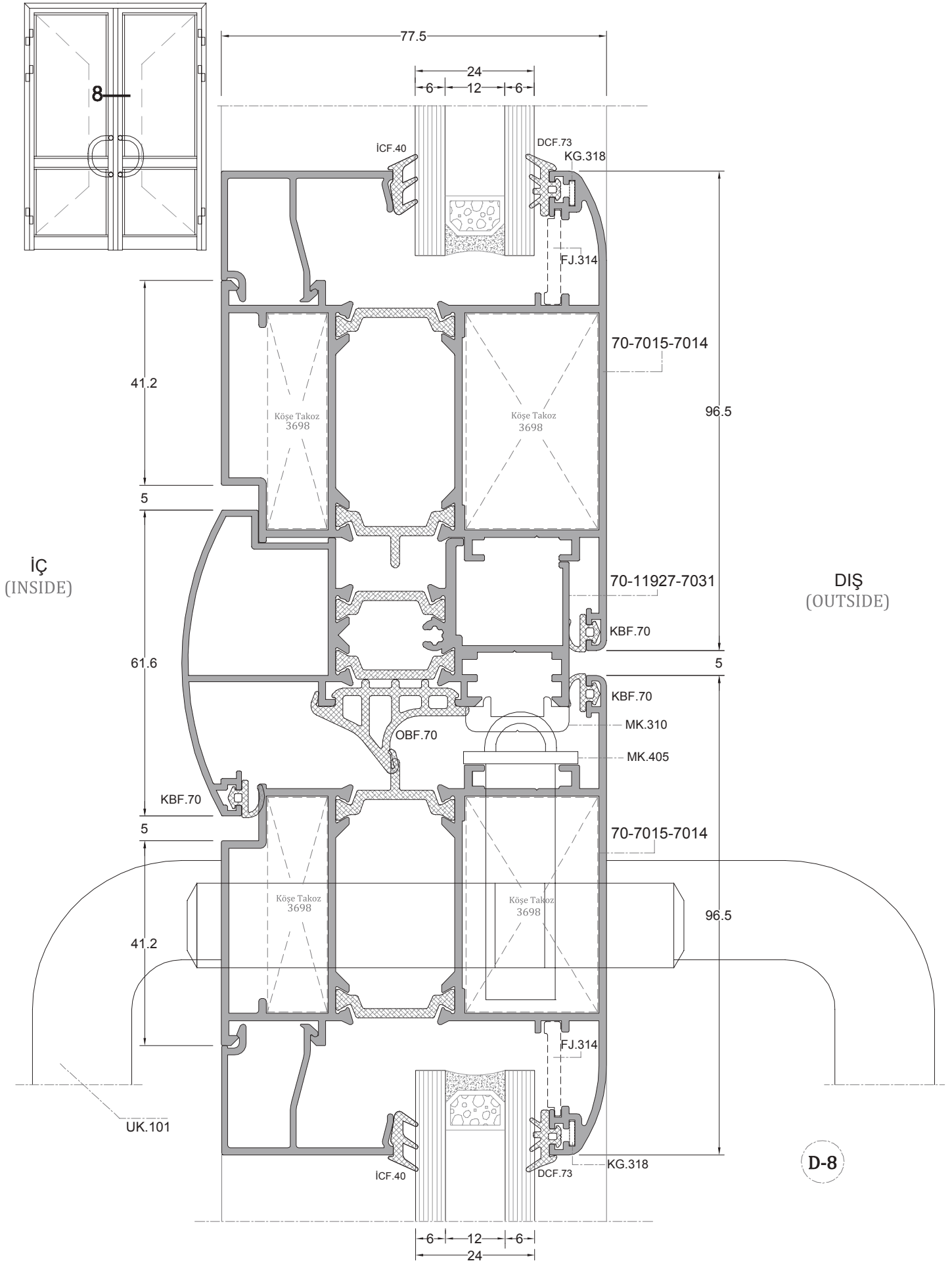
İÇ
(INSIDE)

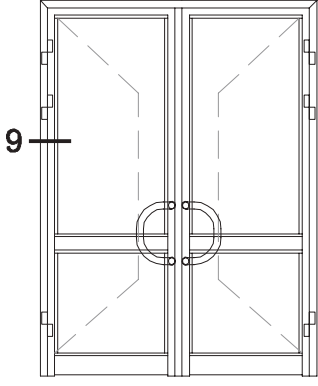


DIŞ
(OUTSIDE)

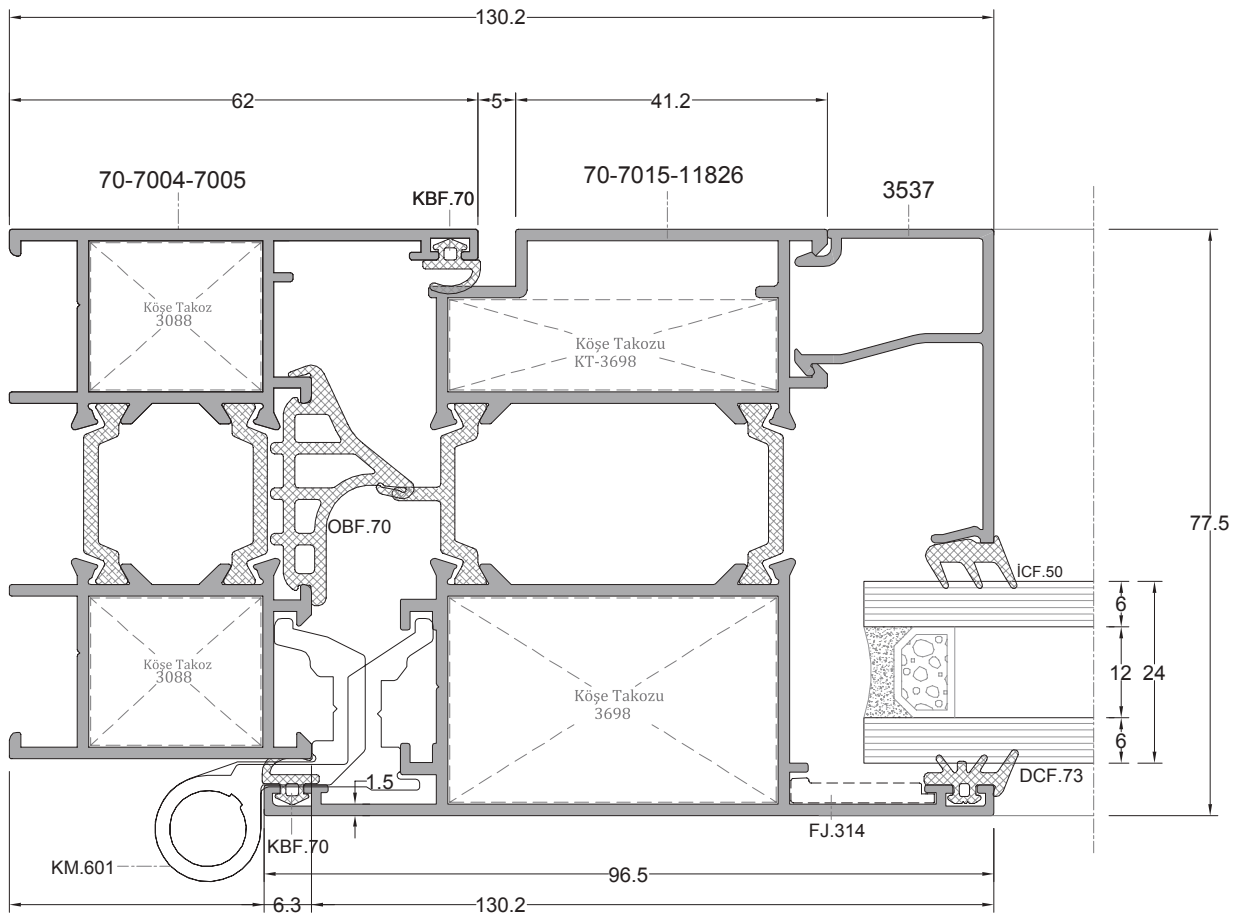
D-7

BİNİLİ DIŞA AÇILIR KAPI DETAY



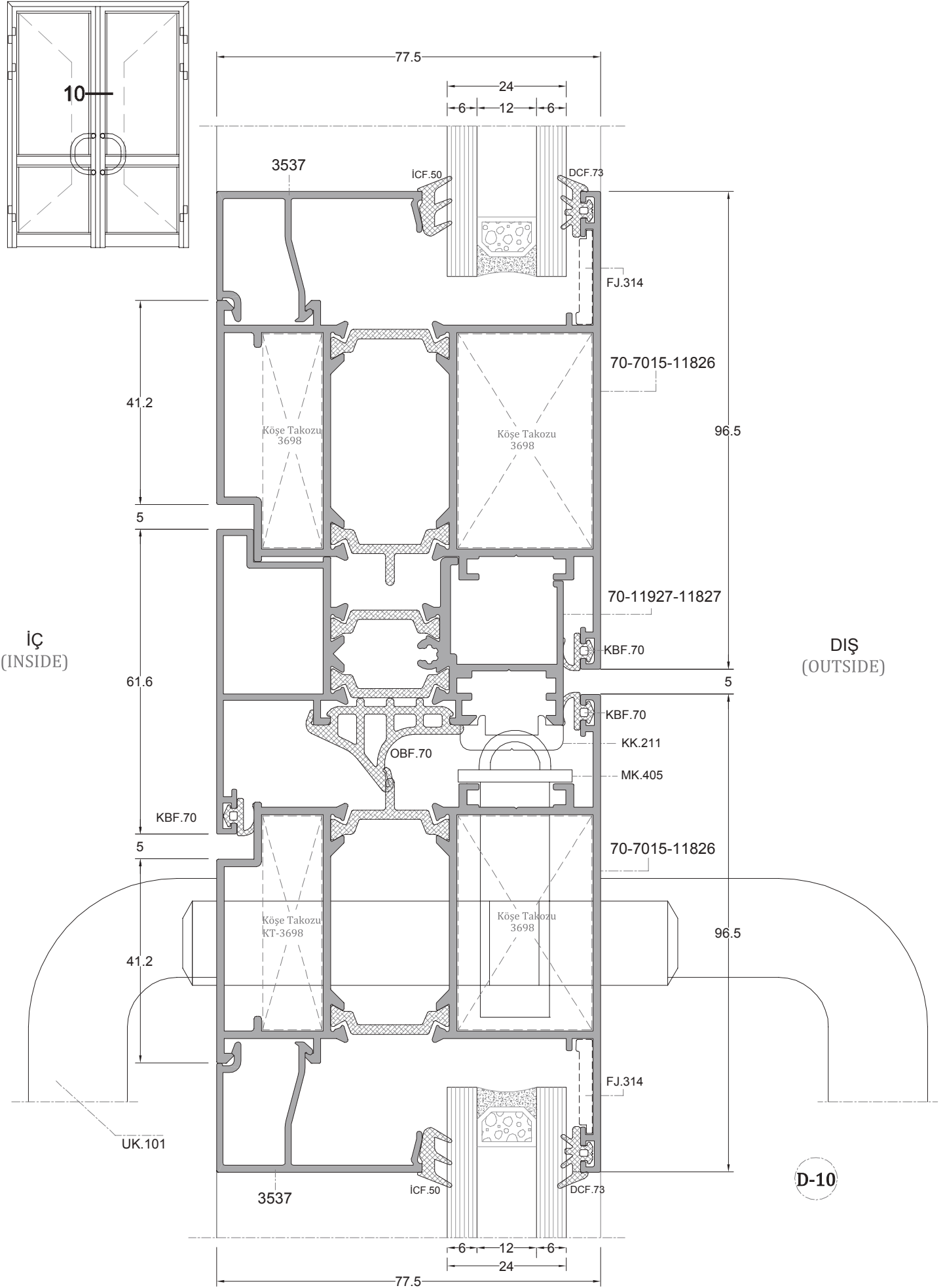


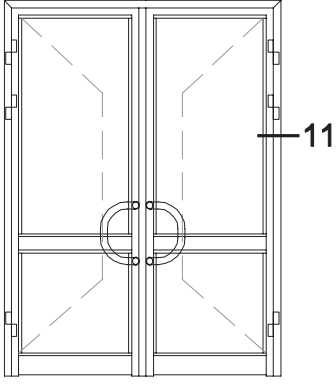
İÇ
(INSIDE)



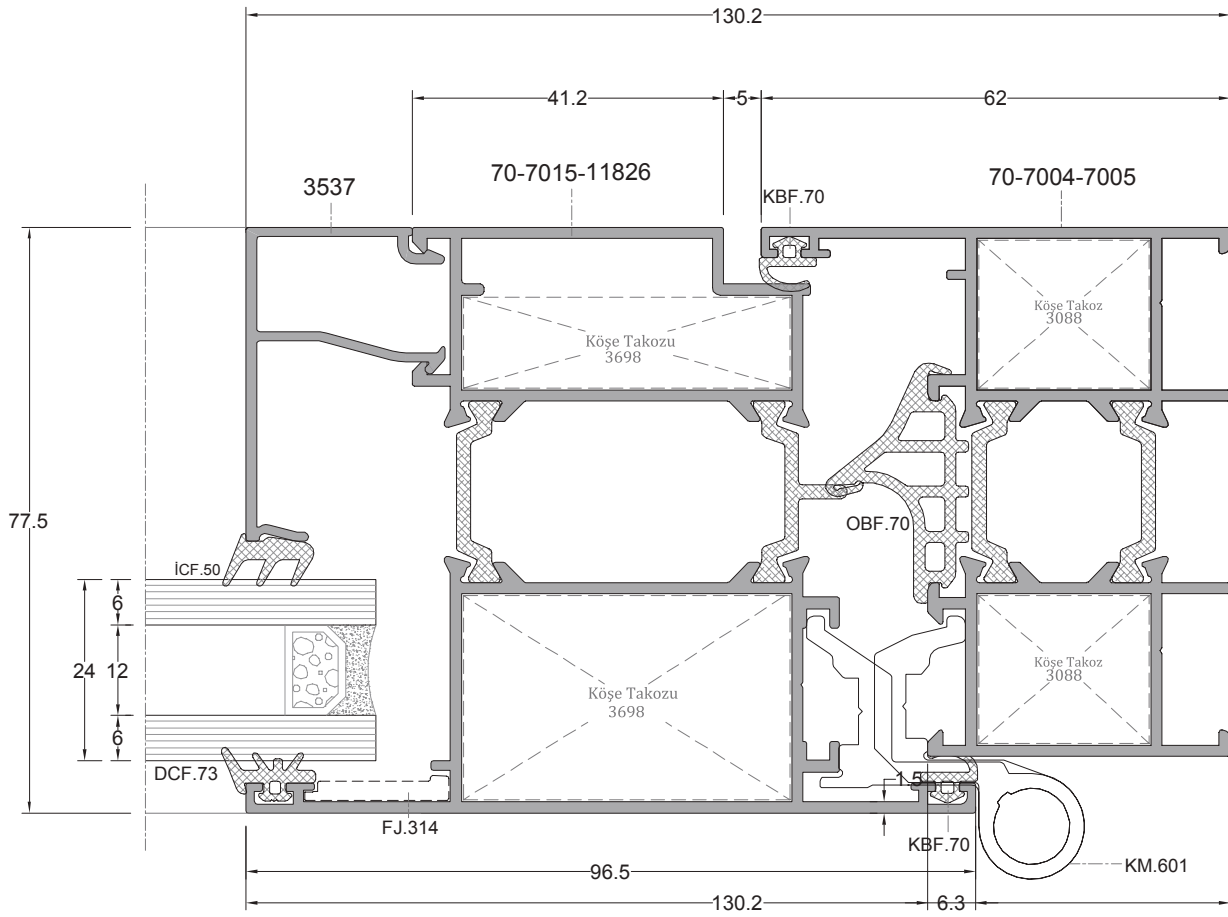
D-9

DIŞ
(OUTSIDE)



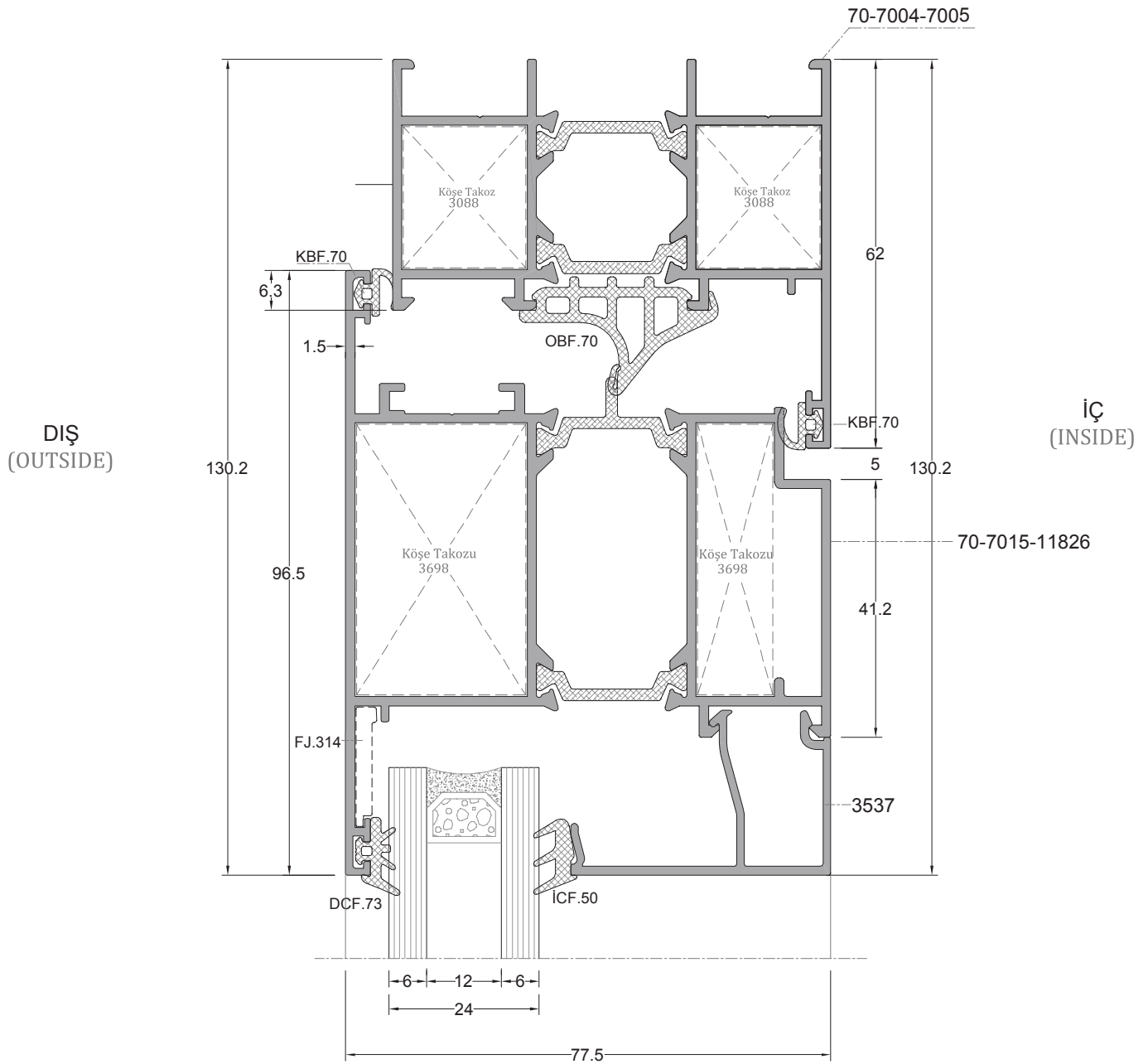
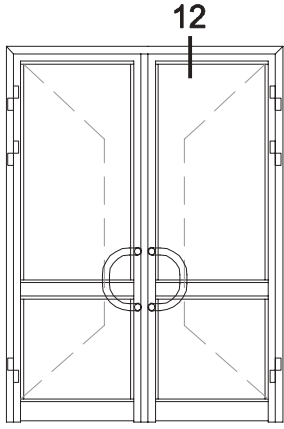


İÇ
(INSIDE)



DIŞ
(OUTSIDE)

D-11



D-12