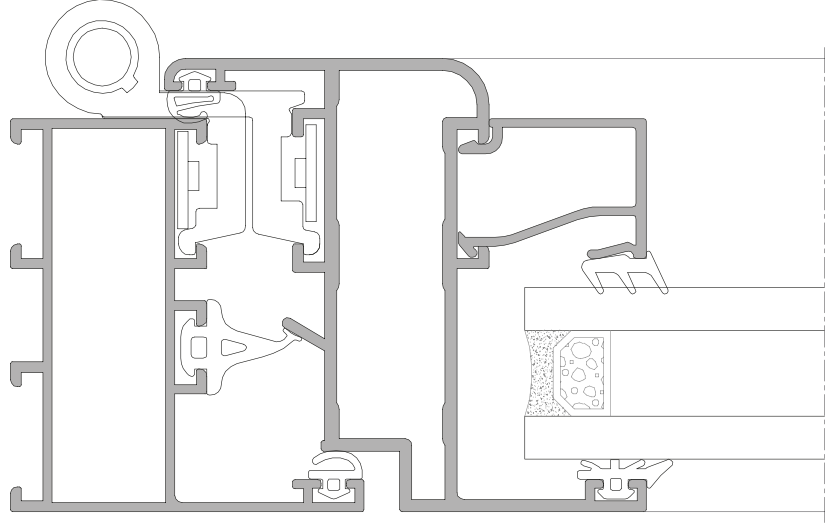


Kapı - Pencere Sistemleri
Door - Window System



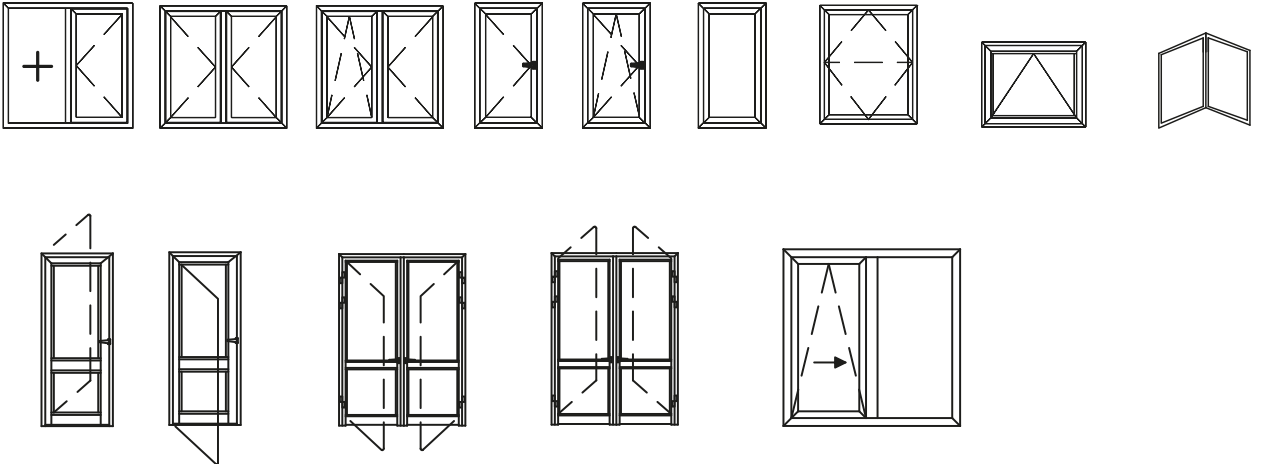
WD55

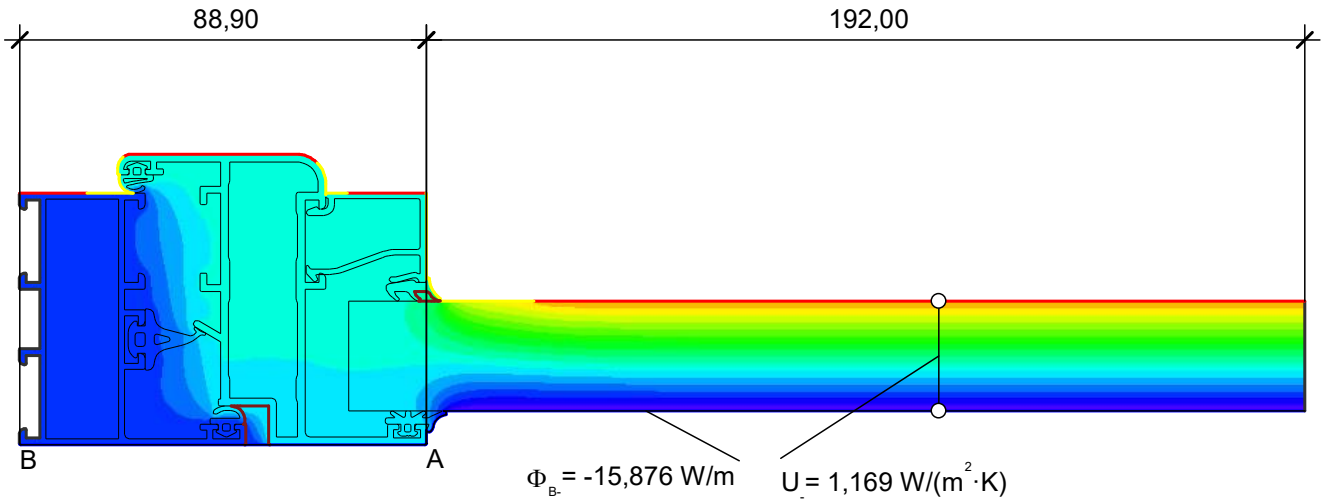


TEKNİK ÖZELLİKLER / TECHNICAL PROPERTIES

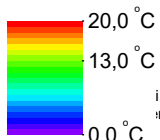
KASA DERİNLİĞİ / FRAME DEPTH	55 mm ve 60 mm (Oval Kasa)
KANAT DERİNLİĞİ / SASH DEPTH	63,5 mm
ET KALINLIĞI / WALL THICKNESS	1,5 mm ; 1,8 mm ; 2 mm
MAKS.CAM KALINLIĞI / MAX. GLASS THICKNESS	4 mm ; 36 mm
ISI YALITIM DEĞERİ / THERMAL INSULATION VALUE (UF)	EN 10077-2 : 6,20-6,70 w/m ² K

UYGULAMA SEÇENEKLERİ / APPLICATION OPTIONS





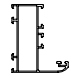
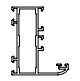
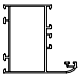
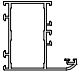
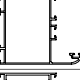
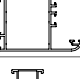
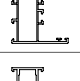
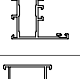
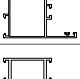
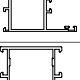
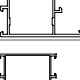
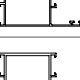
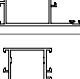
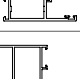
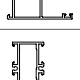
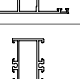
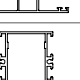
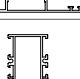
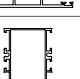
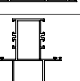
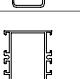

$$U_{fA,B} = \frac{\frac{\Phi}{\Delta T} - U_p \cdot b_p}{b_f} = \frac{\frac{15,876}{20,000} - 1,169 \cdot 0,192}{0,089} = 6,41 \text{ W/(m}^2 \cdot \text{K)}$$


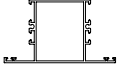
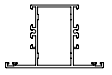
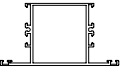




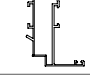
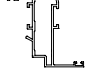
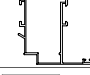
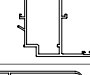
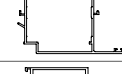

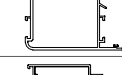
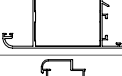

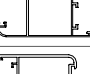
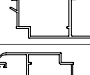
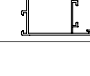

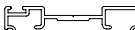


— ventilated air cavity
 Undefined Material
 Unventilated air cavity



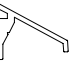


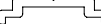





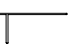

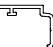
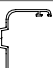
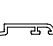

	λ [W/(m·K)]	ϵ
Alloys	160,000	0,900
polypropylene diene monomer)	0,250	0,900
	0,035	0,900
	anisotropic	
	0,010	
	anisotropic	



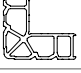






Boundary Condition	q [W/m ²]	θ [°C]	R [(m ² ·K)/W]	ϵ
Epsilon 0.9				0,900
Exterior, frame	0,000		0,040	
Interior, frame, normal	20,000		0,130	
Interior, frame, reduced	20,000		0,200	
Symmetry/Model section	0,000			

PROFİL KESİTİ PROFILE SECTION	PROFİL KODU PROFILE CODE	PROFİL ADI PROFILE NAME	Jx cm ⁴	Jy cm ⁴	AĞIRLIK (kg/m) WEIGHT
	1685	KASA PROFİLİ FRAME PROFILE	15.98 cm ⁴	5.15 cm ⁴	0.902 kg/mt
	1780	KASA PROFİLİ FRAME PROFILE	19.64 cm ⁴	6.23 cm ⁴	1.135 kg/mt
	1686	KASA PROFİLİ FRAME PROFILE	20.52 cm ⁴	11.23 cm ⁴	1.005 kg/mt
	1781	KASA PROFİLİ FRAME PROFILE	25.23 cm ⁴	13.58 cm ⁴	1.269 kg/mt
	1687	KASA PROFİLİ FRAME PROFILE	24.35 cm ⁴	15.40 cm ⁴	1.064 kg/mt
	1782	KASA PROFİLİ FRAME PROFILE	29.80 cm ⁴	18.96 cm ⁴	1.347 kg/mt
	1905	KASA PROFİLİ FRAME PROFILE	12.50 cm ⁴	4.22 cm ⁴	0.831 kg/mt
	1906	KASA PROFİLİ FRAME PROFILE	15.83 cm ⁴	4.86 cm ⁴	1.033 kg/mt
	1907	KASA PROFİLİ FRAME PROFILE	16.39 cm ⁴	9.67 cm ⁴	0.934 kg/mt
	1908	KASA PROFİLİ FRAME PROFILE	21.75 cm ⁴	12.28 cm ⁴	1.282 kg/mt
	11959	KASA PROFİLİ FRAME PROFILE	16.36 cm ⁴	12.65 cm ⁴	1.064 kg/mt
	1909	KASA PROFİLİ FRAME PROFILE	13.03 cm ⁴	19.98 cm ⁴	0.993 kg/mt
	1910	KASA PROFİLİ FRAME PROFILE	26.75 cm ⁴	17.36 cm ⁴	1.374 kg/mt
	3540	KASA PROFİLİ FRAME PROFILE	20.41 cm ⁴	11.65 cm ⁴	1.196 kg/mt
	5580	Z KASA PROFİLİ FRAME PROFILE	23.41 cm ⁴	8.57 cm ⁴	1.110 kg/mt
	1790	ORTA KAYIT PROFİLİ MULLION PROFILE	16.70 cm ⁴	9.90 cm ⁴	1.225 kg/mt
	1693	ORTA KAYIT PROFİLİ MULLION PROFILE	13.72 cm ⁴	8.80 cm ⁴	1.001 kg/mt
	11960	ORTA KAYIT PROFİLİ MULLION PROFILE	19.80 cm ⁴	18.86 cm ⁴	1.262 kg/mt
	5156	ORTA KAYIT PROFİLİ MULLION PROFILE	18.95 cm ⁴	14.95 cm ⁴	1.314 kg/mt
	1694	ORTA KAYIT PROFİLİ MULLION PROFILE	16.53 cm ⁴	17.78 cm ⁴	1.103 kg/mt
	2096	ORTA KAYIT PROFİLİ MULLION PROFILE	91.80 cm ⁴	30.85 cm ⁴	2.321 kg/mt
	1783	ORTA KAYIT PROFİLİ MULLION PROFILE	22.39 cm ⁴	21.77 cm ⁴	1.489 kg/mt

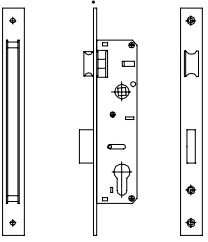
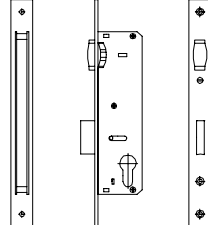
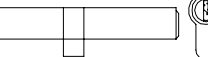

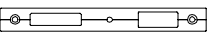
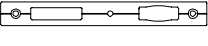
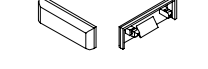



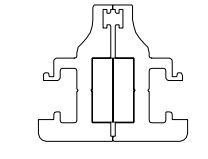
PROFİL KESİTİ PROFILE SECTION	PROFİL KODU PROFILE CODE	PROFİL ADI PROFILE NAME	Jx cm ⁴	Jy cm ⁴	AĞIRLIK (kg/m) WEIGHT
	1788	ORTA KAYIT PROFİLİ MULLION PROFILE	94.13 cm ⁴	35.07 cm ⁴	1.966 kg/mt
	1901	ORTA KAYIT PROFİLİ MULLION PROFILE	33.67 cm ⁴	23.95 cm ⁴	1.499 kg/mt
	3541	ORTA KAYIT PROFİLİ MULLION PROFILE	20.91 cm ⁴	20.85 cm ⁴	1.394 kg/mt
	5520	ORTA KAYIT PROFİLİ MULLION PROFILE	43.70 cm ⁴	27.55 cm ⁴	1.684 kg/mt
	4687	ORTA KAYIT PROFİLİ MULLION PROFILE	80.83 cm ⁴	29.30 cm ⁴	1.648 kg/mt
	5519	ETEK PROFİLİ END PROFILE	96.80 cm ⁴	30.35 cm ⁴	1.614 kg/mt
	1789	ETEK PROFİLİ END PROFILE	269.25 cm ⁴	26.92 cm ⁴	2.588 kg/mt
	1902	ETEK PROFİLİ END PROFILE	120.67 cm ⁴	40.40 cm ⁴	2.114 kg/mt
	1691	KANAT PROFİLİ SASH PROFILE	21.45 cm ⁴	4.43 cm ⁴	0.933 kg/mt
	1784	KANAT PROFİLİ SASH PROFILE	25.48 cm ⁴	5.25 cm ⁴	1.180 kg/mt
	1692	KANAT PROFİLİ SASH PROFILE	28.00 cm ⁴	9.68 cm ⁴	1.039 kg/mt
	1785	KANAT PROFİLİ SASH PROFILE	36.60 cm ⁴	13.16 cm ⁴	1.467 kg/mt
	1660	KANAT PROFİLİ SASH PROFILE	57.98 cm ⁴	26.80 cm ⁴	1.516 kg/mt
	1786	KANAT PROFİLİ SASH PROFILE	61.35 cm ⁴	40.05 cm ⁴	1.820 kg/mt
	1787	KANAT PROFİLİ SASH PROFILE	65.32 cm ⁴	31.83 cm ⁴	1.772 kg/mt
	3943	KANAT PROFİLİ SASH PROFILE	54.57 cm ⁴	33.87 cm ⁴	1.559 kg/mt
	3545	KANAT PROFİLİ SASH PROFILE	20.64 cm ⁴	15.61 cm ⁴	1.052 kg/mt
	5158	KANAT PROFİLİ SASH PROFILE	25.00 cm ⁴	23.93 cm ⁴	1.206 kg/mt
	1900	KANAT PROFİLİ SASH PROFILE	45.78 cm ⁴	21.39 cm ⁴	1.497 kg/mt
	5157	KANAT PROFİLİ SASH PROFILE	36.33 cm ⁴	14.46 cm ⁴	1.206 kg/mt
	1795	ADAPTÖR PROFİLİ ADAPTER PROFILE	-	-	0.638 kg/mt
	1794	ADAPTÖR PROFİLİ ADAPTER PROFILE	-	-	0.461 kg/mt

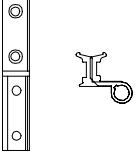
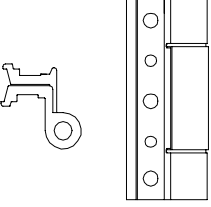
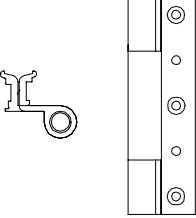
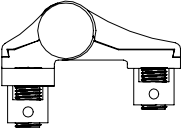
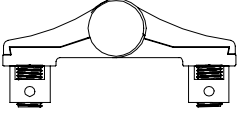
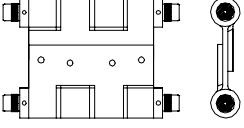
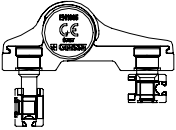
PROFİL KESİTİ PROFILE SECTION	PROFİL KODU PROFILE CODE	PROFİL ADI PROFILE NAME	Jx cm ⁴	Jy cm ⁴	AĞIRLIK (kg/m) WEIGHT
	1913	ADAPTÖR PROFİLİ ADAPTER PROFILE	-	-	0.621 kg/mt
	1779	ADAPTÖR PROFİLİ ADAPTER PROFILE	-	-	0.439 kg/mt
	11925	ADAPTÖR PROFİLİ ADAPTER PROFILE	-	-	1.053 kg/mt
	6569	ADAPTÖR PROFİLİ ADAPTER PROFILE	-	-	0.419 kg/mt
	9664	ADAPTÖR PROFİLİ ADAPTER PROFILE	-	-	0.399 kg/mt
	1792	ADAPTÖR PROFİLİ ADAPTER PROFILE	-	-	0.829 kg/mt
	1793	ADAPTÖR PROFİLİ ADAPTER PROFILE	-	-	0.950 kg/mt
	3537	CAM ÇİTASI (41,5 mm) GLAZING BEAD	-	-	0.367 kg/mt
	1749	CAM ÇİTASI (38,5mm) GLAZING BEAD	-	-	0.356 kg/mt
	1747	CAM ÇİTASI (34,5 mm) GLAZING BEAD	-	-	0.340 kg/mt
	1750	CAM ÇİTASI (38,5mm) GLAZING BEAD	-	-	0.342 kg/mt
	3536	CAM ÇİTASI (31,5 mm) GLAZING BEAD	-	-	0.329 kg/mt
	1748	CAM ÇİTASI (34,5 mm) GLAZING BEAD	-	-	0.327 kg/mt
	1966	CAM ÇİTASI (27,5 mm) GLAZING BEAD	-	-	0.314 kg/mt
	3636	CAM ÇİTASI (29,5mm) GLAZING BEAD	-	-	0.321 kg/mt
	2236	CAM ÇİTASI (26,5 mm) GLAZING BEAD	-	-	0.310 kg/mt
	5527	CAM ÇİTASI (25,5 mm) GLAZING BEAD	-	-	0.293 kg/mt
	1949	CAM ÇİTASI (25,5 mm) GLAZING BEAD	-	-	0.306 kg/mt
	1745	CAM ÇİTASI (21,5 mm) GLAZING BEAD	-	-	0.292 kg/mt
	1746	CAM ÇİTASI (21,5 mm) GLAZING BEAD	-	-	0.279 kg/mt
	5546	CAM ÇİTASI (19,5 mm) GLAZING BEAD	-	-	0.271 kg/mt
	3539	CAM ÇİTASI (17 mm) GLAZING BEAD	-	-	0.277 kg/mt

PROFİL KESİTİ PROFILE SECTION	PROFİL KODU PROFILE CODE	PROFİL ADI PROFILE NAME	Jx cm ⁴	Jy cm ⁴	AĞIRLIK (kg/m) WEIGHT
	1699	CAM ÇİTASI (19,5 mm) GLAZING BEAD	-	-	0.285 kg/mt
	1698	CAM ÇİTASI (13,5 mm) GLAZING BEAD	-	-	0.270 kg/mt
	1948	CAM ÇİTASI (7,5 mm) GLAZING BEAD	-	-	0.235 kg/mt
	1011	DAMLALIK PROFİLİ SILL PROFILE	-	-	0.402 kg/mt
	4242	DAMLALIK PROFİLİ SILL PROFILE	-	-	0.094 kg/mt
	7021	DAMLALIK PROFİLİ SILL PROFILE	-	-	0.140 kg/mt
	8241	TİJ PROFİLİ STEM BAR PROFILE	-	-	0.099 kg/mt
	10923	KANAT ALTI KAPAMA PROFİLİ SUB-SASH COVER PROFILE	-	-	0.295 kg/mt
	1775	DÜŞEY BAĞLANTI PROFİLİ VERTICAL CONNECTION PROFILE	-	-	1.525 kg/mt
	1121	T BAĞLANTI PROFİLİ T CONNECTION PROFILE	-	-	0.233 kg/mt
	1035	T BAĞLANTI PROFİLİ T CONNECTION PROFILE	-	-	0.240 kg/mt
	1139	T BAĞLANTI PROFİLİ T CONNECTION PROFILE	-	-	0.236 kg/mt
	1123	T BAĞLANTI PROFİLİ T CONNECTION PROFILE	-	-	0.355 kg/mt
	5788	T BAĞLANTI PROFİLİ T CONNECTION PROFILE	-	-	0.205 kg/mt
	6414	T BAĞLANTI PROFİLİ T CONNECTION PROFILE	-	-	0.175 kg/mt
	1912	PERVAZ PROFİLİ SILL PROFILE	-	-	0.211 kg/mt
	1681	PERVAZ PROFİLİ SILL PROFILE	-	-	0.340 kg/mt
	4251	PERVAZ PROFİLİ SILL PROFILE	-	-	0.182 kg/mt
	1911	KÖŞE KAPAK PROFİLİ CORNER COVER PROFILE	-	-	0.425 kg/mt

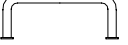
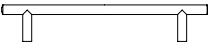
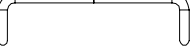
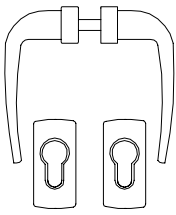
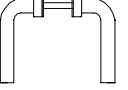

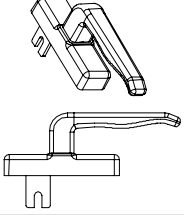
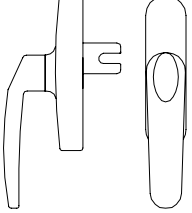
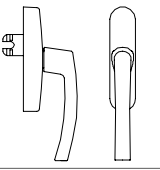
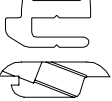
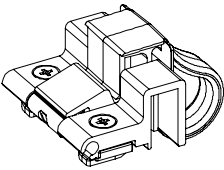
PROFİL KESİTİ PROFILE SECTION	PROFİL KODU PROFILE CODE	PROFİL ADI PROFILE NAME	Jx cm ⁴	Jy cm ⁴	AĞIRLIK (kg/m) WEIGHT
	1661	KÖŞE TAKOZ PROFİLİ CORNER WEDGE PROFILE	-	-	3.688 kg/mt
	1662	KÖŞE TAKOZ PROFİLİ CORNER WEDGE PROFILE	-	-	2.576 kg/mt
	1663	KÖŞE TAKOZ PROFİLİ CORNER WEDGE PROFILE	-	-	3.526 kg/mt
	1695	KÖŞE TAKOZ PROFİLİ CORNER WEDGE PROFILE	-	-	2.540 kg/mt
	1696	KÖŞE TAKOZ PROFİLİ CORNER WEDGE PROFILE	-	-	3.340 kg/mt
	1664	KÖŞE TAKOZ PROFİLİ CORNER WEDGE PROFILE	-	-	3.991 kg/mt
	1697	KÖŞE TAKOZ PROFİLİ CORNER WEDGE PROFILE	-	-	4.212 kg/mt
	1903	KÖŞE TAKOZ PROFİLİ CORNER WEDGE PROFILE	-	-	6.162 kg/mt
	1398	KÖŞE TAKOZ PROFİLİ CORNER WEDGE PROFILE	-	-	5.085 kg/mt

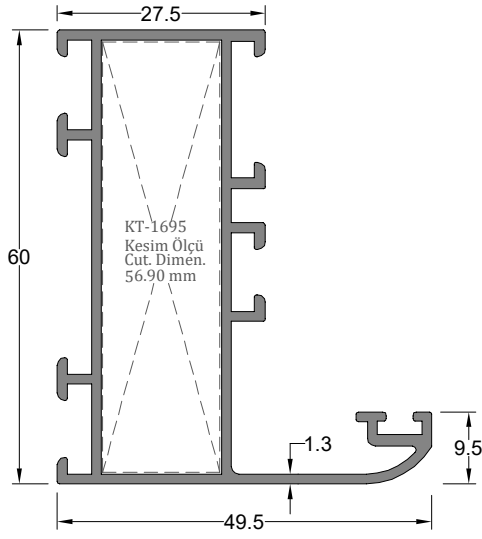
AKSESUAR ACCESSORY	STOK KODU REFERENCE CODE	AKSESUAR ADI DESCRIPTION	AKSESUAR KODU PRODUCT CODE	PAKET PACK
	03 010436	KASA FİTİLİ FRAME GASKET	WD55-KBF.36	350 mt / paket 10 kg/mt
	03 010446	KASA FİTİLİ FRAME GASKET	WD55-KBF.46	300 mt / paket 10 kg/mt
	03 010456	KANAT FİTİLİ SASH GASKET	WD55-KBF.56	330 mt / paket 10 kg/mt
	03 010503	DIŞ CAM FİTİLİ OUTER GLAZING GASKET	WD55-DCF.30	210 mt / paket 10 kg/mt
	03 070102	DIŞ CAM FİTİLİ OUTER GLAZING GASKET	WD55-DCF.45	130 mt / paket 10 kg/mt
	03 011230	İÇ CAM FİTİLİ INNER GLAZING GASKET	WD55-ICF.30	280 mt / paket 10 kg/mt
	03 011231	İÇ CAM FİTİLİ INNER GLAZING GASKET	WD55-ICF.40	220 mt / paket 10 kg/mt
	03 010732	İÇ CAM FİTİLİ INNER GLAZING GASKET	WD55-ICF.50	185 mt / paket 10 kg/mt
	03 011236	İÇ CAM FİTİLİ INNER GLAZING GASKET	WD55-ICF.23	210 mt / paket 10 kg/mt
	03 011237	İÇ CAM FİTİLİ INNER GLAZING GASKET	WD55-ICF.45	255 mt / paket 10 kg/mt
	03 011006	ORTA BİNİ FİTİLİ MIDDLE GASKET	WD55-OBF.06	114 mt / paket 10 kg/mt
	03 050710	FİRÇA FİTİL(6.8 mm x 7 mm) WEATHER STRIP	WD55-FÇ.710	1 pk ./300 mt
	01 130318	KÖŞE GÖNYE CORNER BRACKET	WD55-KG.318	1 pk /1000 ad
	01 110240	SİSTEM WD55 ADAPTÖR KAPAĞI SYSTEM WD55 ADAPTER COVER	WD55-ADK.240	1 pk /100 ad
	01 120201	AYARLI İSPANYOLET KARŞILIĞI(SETSKURLU) ESPAGNOLETTE(PINNED)	WD55-TPK.201	1 pk /100 ad
	01 120200	AYARLI İSPANYOLET KARŞILIĞI(VİDALI) ESPAGNOLETTE(SCREWED)	WD55-TPK.200	1 pk /100 ad
	01 120100	İSPANYOLET PİMİ ESPAGNOLETTE PIN	WD55-TP.100	1 pk /100 ad
	06 140203	CAM TAKOZU (3X20X80 mm) GLAZING WEDGE 3mm	WD55-CT.203	1 pk /1000 ad
	06 140210	CAM TAKOZU(5X28X80 mm) GLAZING WEDGE 5mm	WD55-CT.210	1 pk /1000 ad
	06 140208	CAM TAKOZU(5X20X80 mm) GLAZING WEDGE 5mm	WD55-CT.208	1 pk /1000 ad

AKSESUAR ACCESSORY	STOK KODU REFERENCE CODE	AKSESUAR ADI DESCRIPTION	AKSESUAR KODU PRODUCT CODE	PAKET PACK
	05 010401	153/ 35 MM DİLLİ KİLİT BOLT LOCK	WD55-DK.401	1 pk ./30 ad
	05 010405	155/ 35MM MAKARALI KİLİT ROLLED LOCK	WD55-MK.405	1 pk ./30 ad
	05 011131	81 MM BAREL 81MM CYLINDER	WD55-BR.131	1 pk ./24 ad
	01 060210	OVAL SERİ KİLİT KARŞILIĞI (GALVANİZ) OVAL SERIES LOCK STRIKER (GALVANIZE)	WD55-KK.210	1 pk ./1 ad
	01 060301	SİSTEM KİLİT KARŞILIĞI DİLLİ (ELOKSALLI) SYSTEM BOLT LOCK STRIKER (ANODIZED)	WD55-DK.301	1 pk ./50 ad
	01 060302	SİSTEM KİLİT KARŞILIĞI DİLLİ (BEYAZ) SYSTEM BOLT LOCK STRIKER (WHITE)	WD55-DK.302	1 pk ./50 ad
	01 060303	SİSTEM KİLİT KARŞILIĞI DİLLİ (RENKLİ) SYSTEM BOLT LOCK STRIKER (COLORED)	WD55-DK.303	1 pk ./50 ad
	01 060310	SİSTEM KİLİT KARŞILIĞI MAKARALI (ELOKSALLI) SYSTEM ROLLED LOCK STRIKER	WD55-MK.310	1 pk ./50 ad
	01 060311	SİSTEM KİLİT KARŞILIĞI MAKARALI (BEYAZ) SYSTEM ROLLED LOCK STRIKER	WD55-MK.311	1 pk ./50 ad
	01 060312	SİSTEM KİLİT KARŞILIĞI MAKARALI (RENKLİ) SYSTEM ROLLED LOCK STRIKER	WD55-MK.312	1 pk ./50 ad
	04 010115	SABİT PERDELİ YAĞMUR TAHLİYE KAPAK WATER DRAIN COVER (FIXED)	WD55-TK.115	1 pk ./1000 ad
	04 010112	HAREKETLİ PERDELİ YAĞMUR TAHLİYE KAPAK WATER DRAIN COVER (MOVEABLE)	WD55-TK.112	1 pk ./1000 ad
	01 130314	KÖŞE ÇAVUŞU CORNER CONNECTION	WD55-FJ.314	1 pk ./250 ad
	01 150200	ALÜMİNYUM KAPI ALTI FIRÇA ALUMINIUM DOORBASE BRUSH	WD55-KF.200	1 pk ./100 ad
	01 011001	WD55 PİVOT MENTEŞE (ELOKSAL) PIVOT HINGE	WD55-PM.1001	1 pk ./1 ad
	01 011002	WD55 PİVOT MENTEŞE (BEYAZ) PIVOT HINGE	WD55-PM.1002	1 pk ./1 ad
	01 011003	WD55 PİVOT MENTEŞE (RENKLİ) PIVOT HINGE	WD55-PM.1003	1 pk ./1 ad

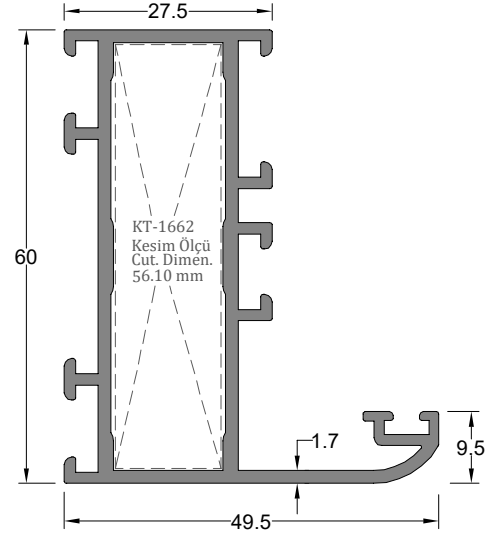
AKSESUAR ACCESSORY	STOK KODU REFERENCE CODE	AKSESUAR ADI DESCRIPTION	AKSESUAR KODU PRODUCT CODE	PAKET PACK
	01 010901	SİSTEM PENCERE MENTEŞE (ELOKSALLI) SYSTEM WINDOW HINGE (ANODIZED)	WD55-PM.901	1 pk ./10 ad
	01 010902	SİSTEM PENCERE MENTEŞE (BEYAZ) SYSTEM WINDOW HINGE (WHITE)	WD55-PM.902	1 pk ./10 ad
	01 010903	SİSTEM PENCERE MENTEŞE (RENKLİ) SYSTEM WINDOW HINGE (COLORED)	WD55-PM.903	1 pk ./10 ad
	01 011101	SİSTEM PENCERE VE KAPI MENTEŞE (ELOKSALLI) SYSTEM WINDOW AND DOOR HINGE (ANODIZED)	WD55-PKM.101	1 pk ./10 ad
	01 011102	SİSTEM PENCERE VE KAPI MENTEŞE (BEYAZ) SYSTEM WINDOW AND DOOR HINGE (WHITE)	WD55-PKM.102	1 pk ./10 ad
	01 011103	SİSTEM PENCERE VE KAPI MENTEŞE (RENKLİ) SYSTEM WINDOW AND DOOR HINGE (COLORED)	WD55-PKM.103	1 pk ./10 ad
	01 011111	SİSTEM KAPI MENTEŞE (ELOKSALLI) SYSTEM DOOR HINGE (ANODIZED)	WD55-KM.111	1 pk ./10 ad
	01 011112	SİSTEM KAPI MENTEŞE (BEYAZ) SYSTEM DOOR HINGE (WHITE)	WD55-KM.112	1 pk ./10 ad
	01 011113	SİSTEM KAPI MENTEŞE (RENKLİ) SYSTEM DOOR HINGE (COLORED)	WD55-KM.113	1 pk ./10 ad
	01 011050	İÇE ve DIŞA AÇILIR BİNİLİ KAPI MENTEŞE (ELOKSAL) INWARD AND OUTWARD OPENING HINGE (ANODIZED)	WD55-KM.050	1 pk ./1 ad
	01 011051	İÇE ve DIŞA AÇILIR BİNİLİ KAPI MENTEŞE (BEYAZ) INWARD AND OUTWARD OPENING HINGE (WHITE)	WD55-KM.051	1 pk ./1 ad
	01 011052	İÇE ve DIŞA AÇILIR BİNİLİ KAPI MENTEŞE (RENKLİ) INWARD AND OUTWARD OPENING HINGE (COLORED)	WD55-KM.052	1 pk ./1 ad
	01 011065	DIŞA AÇILIR ADAPTÖRLÜ BİNİLİ KAPI MENTEŞE (ELOKSAL) OUTWARD OPENING OVERLAPPING HINGE (ANODIZED)	WD55-KM.065	1 pk ./1 ad
	01 011066	DIŞA AÇILIR ADAPTÖRLÜ BİNİLİ KAPI MENTEŞE (BEYAZ) OUTWARD OPENING OVERLAPPING HINGE (WHITE)	WD55-KM.066	1 pk ./1 ad
	01 011067	DIŞA AÇILIR ADAPTÖRLÜ BİNİLİ KAPI MENTEŞE (RENKLİ) OUTWARD OPENING OVERLAPPING HINGE (COLORED)	WD55-KM.067	1 pk ./1 ad
	01 012206	ÇARPMA KAPI MENTEŞE (ELOKSAL) OUTWARD OPENING OVERLAPPING HINGE (ANODIZED)	WD55-ÇM.206	1 pk ./1 ad
	01 012202	ÇARPMA KAPI MENTEŞE (BEYAZ) OUTWARD OPENING OVERLAPPING HINGE (ANODIZED)	WD55-ÇM.202	1 pk ./1 ad
	01 011820	İÇE ve DIŞA AÇILIR BİNİLİ KAPI MENTEŞE (ELOKSAL) INWARD AND OUTWARD OPENING HINGE (ANODIZED)	WD55-KM.820	1 pk ./1 ad
	01 011821	İÇE ve DIŞA AÇILIR BİNİLİ KAPI MENTEŞE (BEYAZ) INWARD AND OUTWARD OPENING HINGE (WHITE)	WD55-KM.821	1 pk ./1 ad
	01 011822	İÇE ve DIŞA AÇILIR BİNİLİ KAPI MENTEŞE (RENKLİ) INWARD AND OUTWARD OPENING HINGE (COLORED)	WD55-KM.822	1 pk ./1 ad

AKSESUAR ACCESSORY	STOK KODU REFERENCE CODE	AKSESUAR ADI DESCRIPTION	AKSESUAR KODU PRODUCT CODE	PAKET PACK
	01 011835	DIŐA AÇILIR ADAPTÖRLÜ BİNİLİ KAPI MENTEŐE (ELOKSAL) OUTWARD OPENING OVERLAPPING HINGE (ANODIZED)	WD55-KM.835	1 pk ./1 ad
	01 011836	DIŐA AÇILIR ADAPTÖRLÜ BİNİLİ KAPI MENTEŐE (BEYAZ) OUTWARD OPENING OVERLAPPING HINGE (WHITE)	WD55-KM.0836	1 pk ./1 ad
	01 011837	DIŐA AÇILIR ADAPTÖRLÜ BİNİLİ KAPI MENTEŐE (RENKLİ) OUTWARD OPENING OVERLAPPING HINGE (COLORED)	WD55-KM.837	1 pk ./1 ad
	01 070201	SİSTEM UZUN ZAMAK SÜRGÜ (NATUREL) SYSTEM ZAMAK LATCH (NATURAL)	WD55-FS.201	1 pk ./10 ad
	01 070202	SİSTEM UZUN ZAMAK SÜRGÜ (BEYAZ) SYSTEM ZAMAK LATCH (WHITE)	WD55-FS.202	1 pk ./10 ad
	01 070203	SİSTEM UZUN ZAMAK SÜRGÜ (RENKLİ) SYSTEM ZAMAK LATCH (COLORED)	WD55-FS.203	1 pk ./10 ad
	01 080301	SİSTEM 13 CM VASİSTAS MAKAS (ELOKSALLI) SYSTEM 13 CM TRANSOM TRUSS (ANODIZED)	WD55-VM.301	1 pk ./50 ad
	01 080302	SİSTEM 13 CM VASİSTAS MAKAS (BEYAZ) SYSTEM 13 CM TRANSOM TRUSS (WHITE)	WD55-VM.302	1 pk ./50 ad
	01 080303	SİSTEM 13 CM VASİSTAS MAKAS (RENKLİ) SYSTEM 13 CM TRANSOM TRUSS (COLORED)	WD55-VM.303	1 pk ./50 ad
	01 080401	SİSTEM 22 CM VASİSTAS MAKAS (ELOKSALLI) SYSTEM 22 CM TRANSOM TRUSS (ANODIZED)	WD55-VM.401	1 pk ./50 ad
	01 080402	SİSTEM 22 CM VASİSTAS MAKAS (BEYAZ) SYSTEM 22 CM TRANSOM TRUSS (WHITE)	WD55-VM.402	1 pk ./50 ad
	01 080403	SİSTEM 22 CM VASİSTAS MAKAS (RENKLİ) SYSTEM 22 CM TRANSOM TRUSS (COLORED)	WD55-VM.403	1 pk ./50 ad
	01 081000	AYARLI KADEMELİ MAKAS 5 KADEME ADJUSTABLE TRUSS	WD55-KM.1000	1 pk ./10 ad
	01 081001	AYARLI KADEMELİ MAKAS 3 KADEME ADJUSTABLE TRUSS	WD55-KM.1001	1 pk ./10 ad

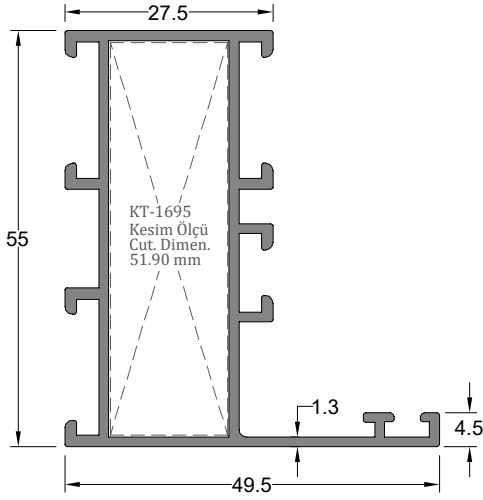
AKSESUAR ACCESSORY	STOK KODU REFERENCE CODE	AKSESUAR ADI DESCRIPTION	AKSESUAR KODU PRODUCT CODE	PAKET PACK
	01 051101	U KOL (ELOKSALLI) U-SHAPED HANDLE (ANODIZED)	WD55-UK.101	1 pk ./10 ad
	01 031309	H KOL (ELOKSALLI) H-SHAPED HANDLE (ANODIZED)	WD55-HK.309	1 pk ./10 ad
	01 030401	KIVRIK KOL (ELOKSALLI) CONVOLUTED HANDLE (ANODIZED)	WD55-VK.401	1 pk ./10 ad
	01 040902	FORZA KAPI KOLU (BEYAZ) FORZA DOOR HANDLE(WHITE)	WD55-FK.902	1 pk ./10 ad
	01 040903	FORZA KAPI KOLU (RENKLI) FORZA DOOR HANDLE(COLOURED)	WD55-FK.903	1 pk ./10 ad
	01 040904	FORZA KAPI KOLU (NATUREL) FORZA DOOR HANDLE(NATURAL)	WD55-FK.904	1 pk ./10 ad
	01 040104	YAYLI SOSİS KOL SPRING DOOR HANDLE	WD55-YK.104	1 pk ./50 ad
	01 040109	YAYLI SOSİS KOL BAREL ROZETİ SPRING DOOR HANDLE CYLINDER BADGE	WD55-BR.109	1 pk ./2 ad
	01 020810	FORZA EKSENEL KOL YENİ (NATUREL) FORZA NEW AXIEL HANDLE(NATURAL)	WD55-EK.810	1 pk ./50 ad
	01 020811	FORZA EKSENEL KOL YENİ (BEYAZ) FORZA NEW AXIEL HANDLE(WHITE)	WD55-EK.811	1 pk ./50 ad
	01 020812	FORZA EKSENEL KOL YENİ (RENKLI) FORZA NEW AXIEL HANDLE(COLOURED)	WD55-EK.812	1 pk ./50 ad
	01 020702	FORZA EKSENEL PENCERE KOL (BEYAZ) FORZA AXIAL WINDOW HANDLE(WHITE)	WD55-FPK.702	1 pk ./20 ad
	01 020703	FORZA EKSENEL PENCERE KOL (RENKLI) FORZA AXIAL WINDOW HANDLE(COLORED)	WD55-FPK.703	1 pk ./20 ad
	01 020803	FORZA EKSENEL PENCERE KOL (NATUREL) FORZA WINDOW AXIAL HANDLE (NATURAL)	WD55-FPK.803	1 pk ./20 ad
	01 020601	EKSENEL KOL ROTO(ELOKSALLI) ROTO AXIAL HANDLE(ANODIZED)	WD55-RK.601	1 pk ./10 ad
	01 020604	EKSENEL KOL ROTO(ELOKSALLI KİLİTLİ) ROTO AXIAL HANDLE(ANODIZED LOCKED)	WD55-RK604	1 pk ./10 ad
	01 120210	SİSTEM KANAT KALDIRMA TAKOZU SYSTEM SASH ADJUSTING BRACKET	WD55-KST.210	1 pk ./50 ad
	01 081702	SİSTEM AYARLI VASİSTAS ÇARPMA (NATUREL) SYSTEM TRANSOM CATCH (NATURAL)	WD55-VÇ.702	1 pk ./100 ad
	01 081703	SİSTEM AYARLI VASİSTAS ÇARPMA (BEYAZ) SYSTEM TRANSOM CATCH (WHITE)	WD55-VÇ.703	1 pk ./100 ad
	01 081704	SİSTEM AYARLI VASİSTAS ÇARPMA (RENKLI) SYSTEM TRANSOM CATCH (CLORED)	WD55-VÇ.704	1 pk ./100 ad



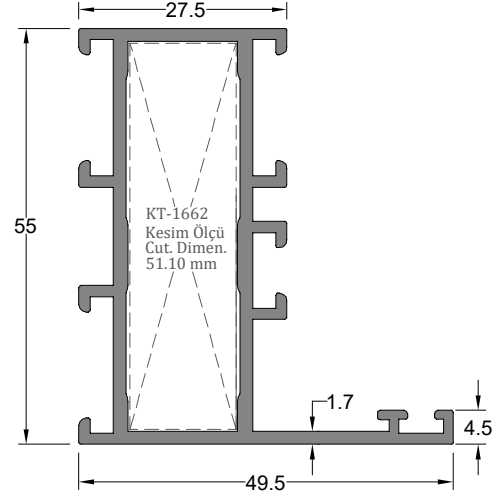
Kasa Profili	Profil Kodu	(kg/mt)	Jx cm ⁴	Jy cm ⁴
FRAME PROFILE	Profile Code	weight		
	1685	0,902	15,98	5,15



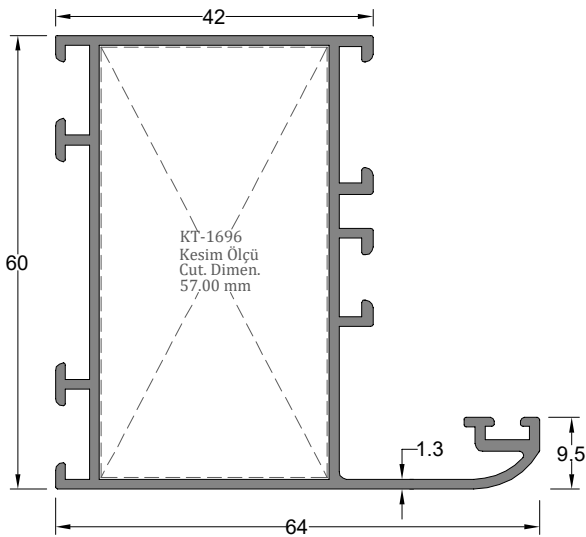
Kasa Profili	Profil Kodu	(kg/mt)	Jx cm ⁴	Jy cm ⁴
FRAME PROFILE	Profile Code	weight		
	1780	1,135	19,64	6,03



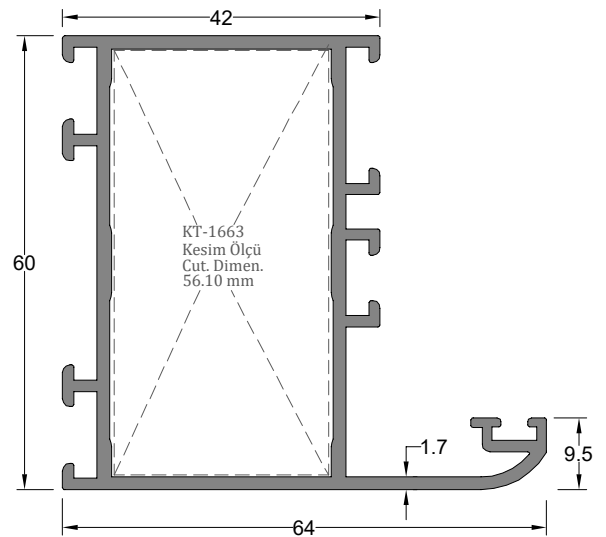
Kasa Profili	Profil Kodu	(kg/mt)	Jx cm ⁴	Jy cm ⁴
FRAME PROFILE	Profile Code	weight		
	1905	0.831	12.50	4.22



Kasa Profili	Profil Kodu	(kg/mt)	Jx cm ⁴	Jy cm ⁴
FRAME PROFILE	Profile Code	weight		
	1906	1.033	15.13	4.86

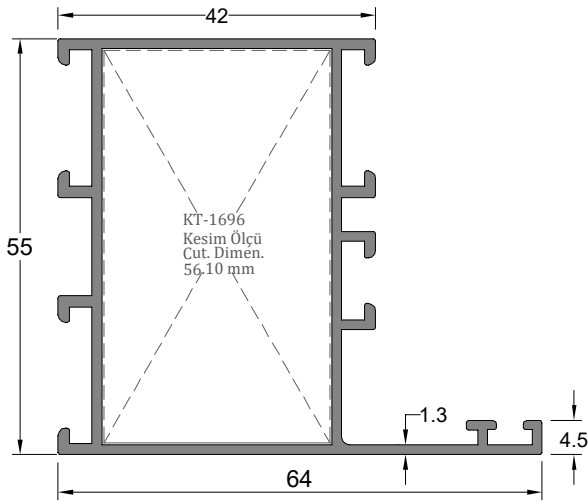


Kasa Profili	Profil Kodu	(kg/mt)	Jx cm ⁴	Jy cm ⁴
FRAME PROFILE	Profile Code	weight		
	1686	1,005	20,52	11,23

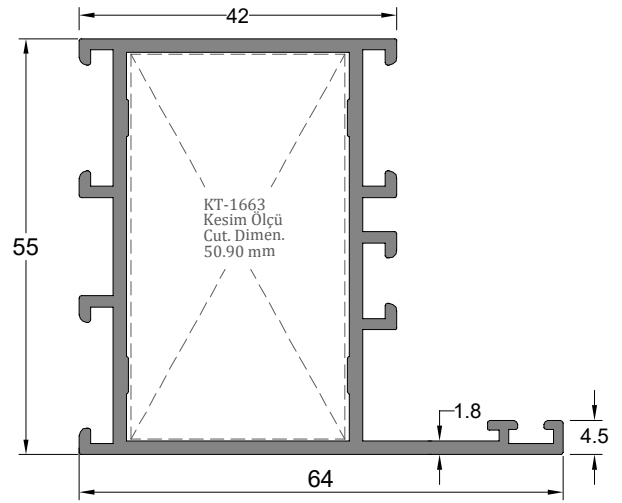


Kasa Profili	Profil Kodu	(kg/mt)	Jx cm ⁴	Jy cm ⁴
FRAME PROFILE	Profile Code	weight		
	1781	1,269	25,23	13,58

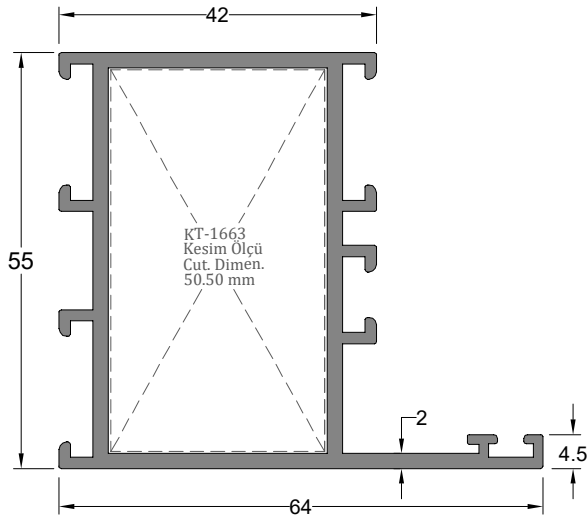
** Her profil için minimum sipariş 300 kg'dır.
** Minimum order quantity is 300 kg per profile.



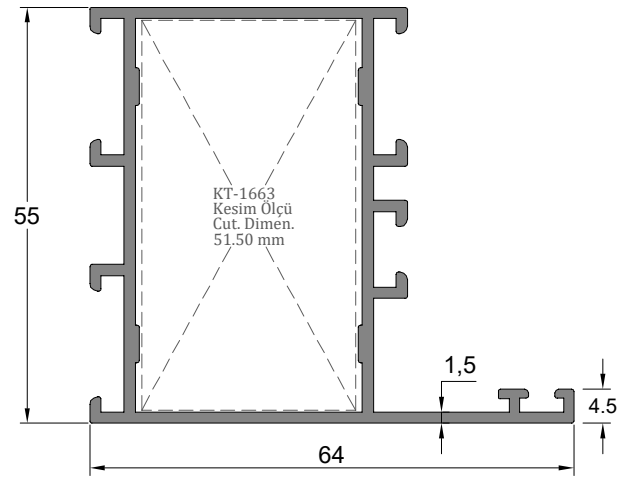
Kasa Profili	Profil Kodu	(kg/mt)	Jx cm ⁴	Jy cm ⁴
FRAME PROFILE	Profile Code	weight		
	1907	0.934	16.39	9.57



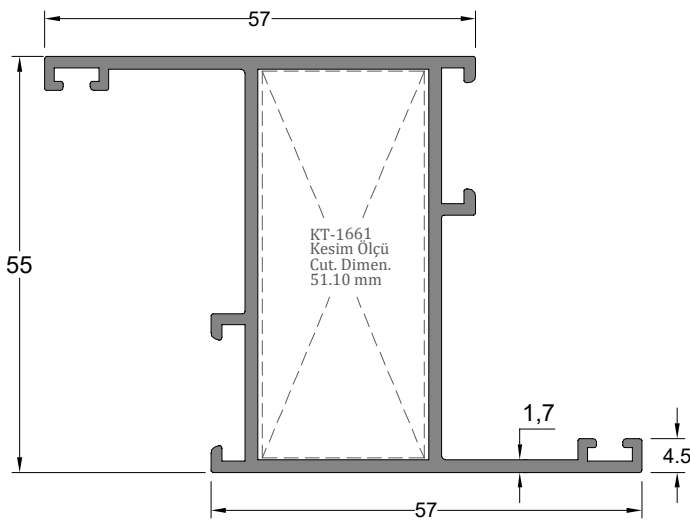
Kasa Profili	Profil Kodu	(kg/mt)	Jx cm ⁴	Jy cm ⁴
FRAME PROFILE	Profile Code	weight		
	3540	1.196	20.41	11.65



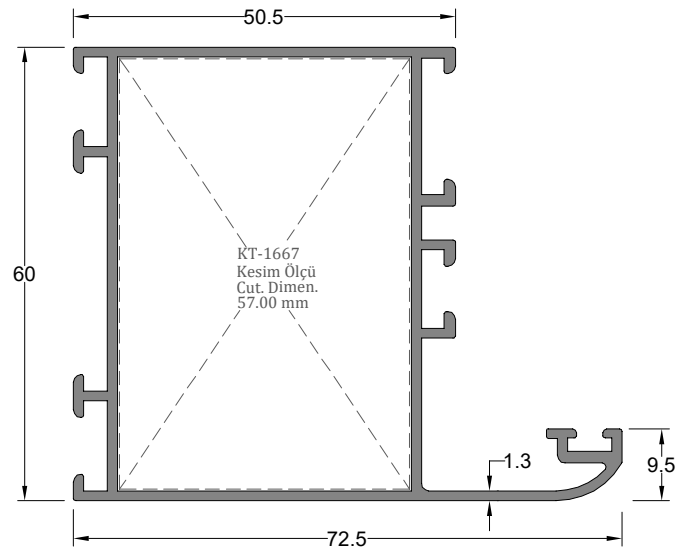
Kasa Profili	Profil Kodu	(kg/mt)	Jx cm ⁴	Jy cm ⁴
FRAME PROFILE	Profile Code	weight		
	1908	1.282	21.75	12.28



Kasa Profili	Profil Kodu	(kg/mt)	Jx cm ⁴	Jy cm ⁴
FRAME PROFILE	Profile Code	weight		
	11959	1,064	16,36	12,65

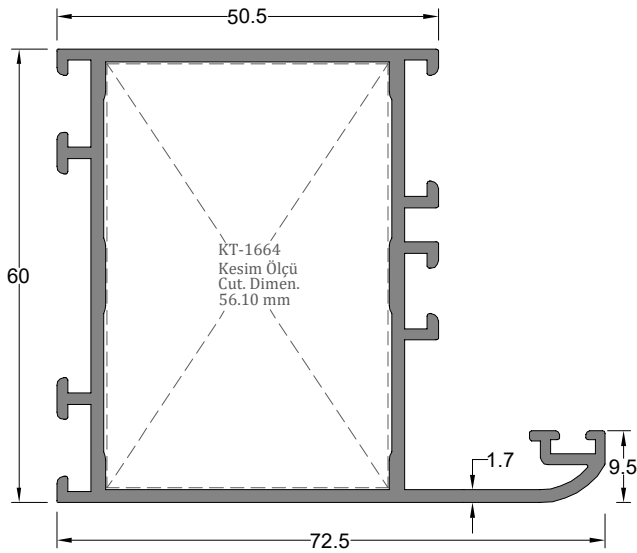


Kasa Profili	Profil Kodu	(kg/mt)	Jx cm ⁴	Jy cm ⁴
FRAME PROFILE	Profile Code	weight		
	5580	1.110	23.41	8.57

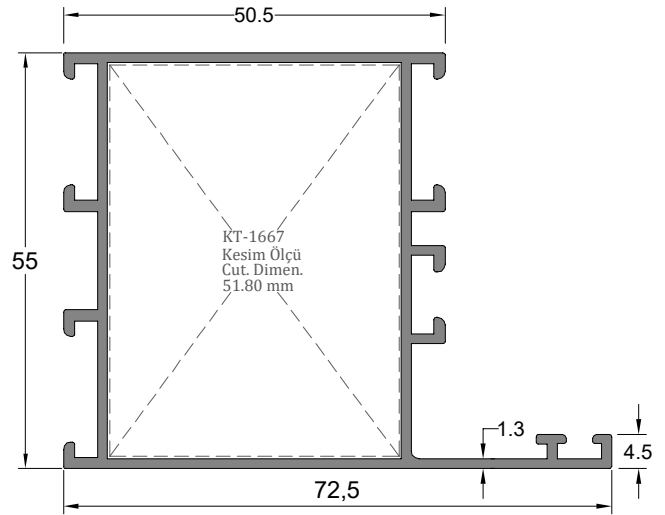


Kasa Profili	Profil Kodu	(kg/mt)	Jx cm ⁴	Jy cm ⁴
FRAME PROFILE	Profile Code	weight		
	1687	1,064	24,35	15,40

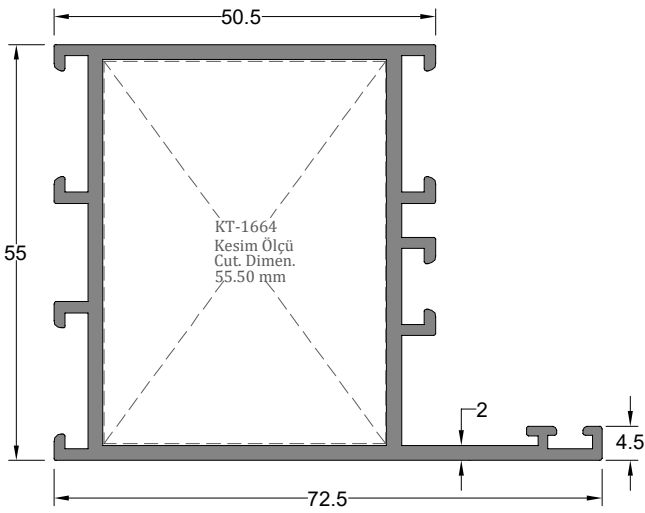
** Her profil için minimum sipariş 300 kg'dır.
** Minimum order quantity is 300 kg per profile.



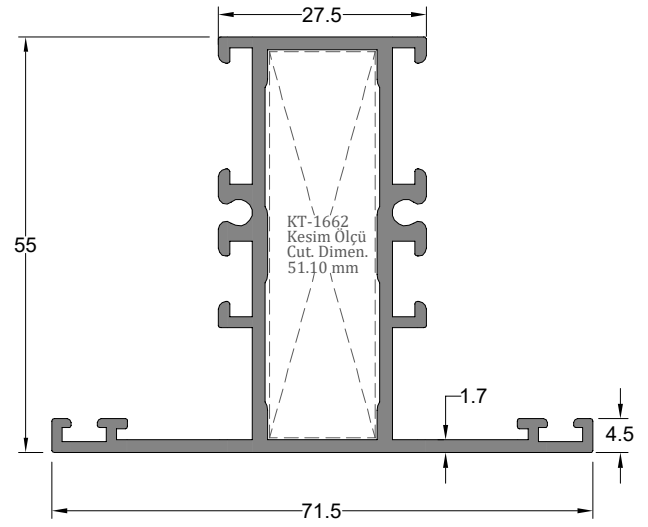
Kasa Profili	Profil Kodu	(kg/mt)	Jx cm ⁴	Jy cm ⁴
FRAME PROFILE	Profile Code	weight		
	1782	1,347	29,80	18,96



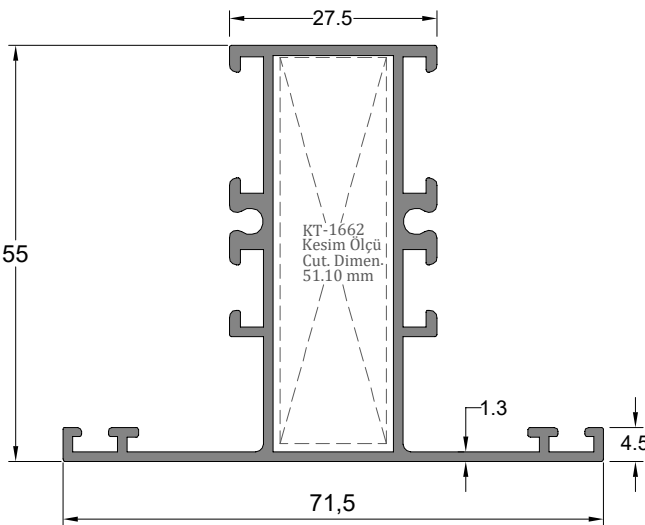
Kasa Profili	Profil Kodu	(kg/mt)	Jx cm ⁴	Jy cm ⁴
FRAME PROFILE	Profile Code	weight		
	1909	0.993	13.03	19.98



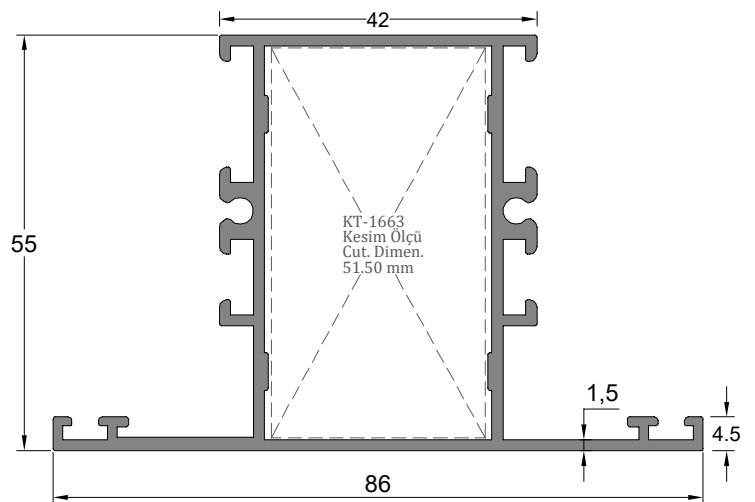
Kasa Profili	Profil Kodu	(kg/mt)	Jx cm ⁴	Jy cm ⁴
FRAME PROFILE	Profile Code	weight		
	1910	1.374	26.26	17.36



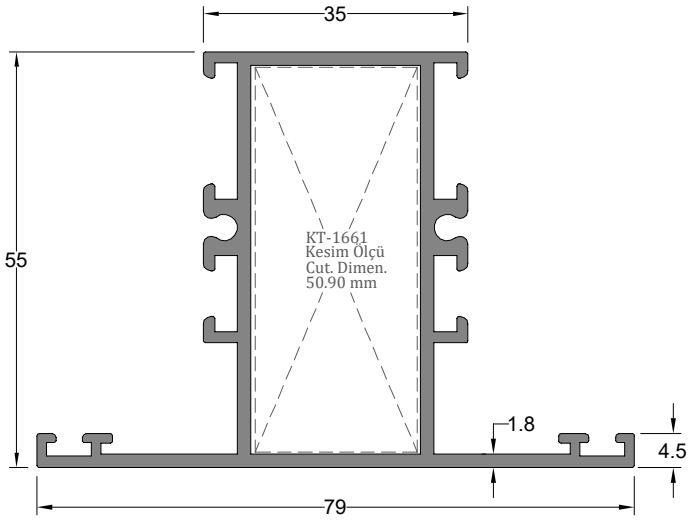
Orta Kayıt Profili	Profil Kodu	(kg/mt)	Jx cm ⁴	Jy cm ⁴
MULLION PROFILE	Profile Code	weight		
	1790	1.225	16.70	9.90



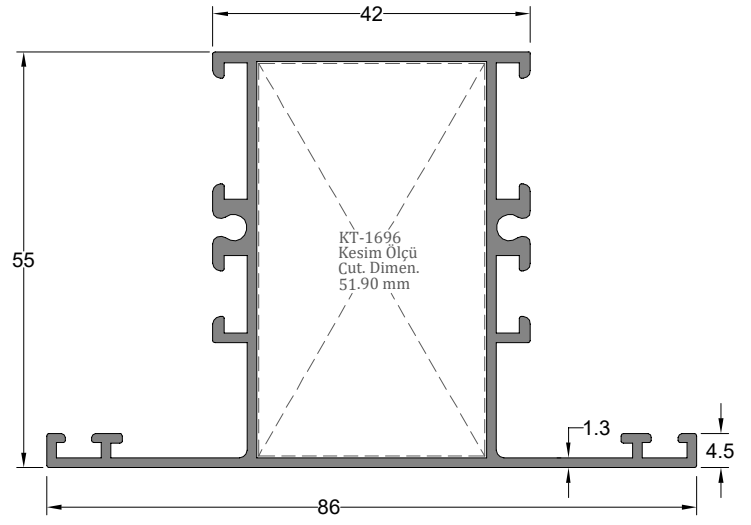
Orta Kayıt Profili	Profil Kodu	(kg/mt)	Jx cm ⁴	Jy cm ⁴
MULLION PROFILE	Profile Code	weight		
	1693	1.001	13.72	8.80



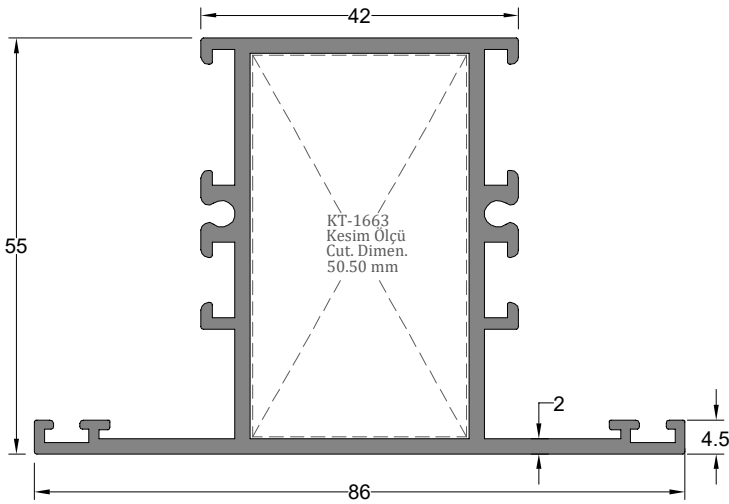
Orta Kayıt Profili	Profil Kodu	(kg/mt)	Jx cm ⁴	Jy cm ⁴
MULLION PROFILE	Profile Code	weight		
	11960	1,262	19,80	18,86



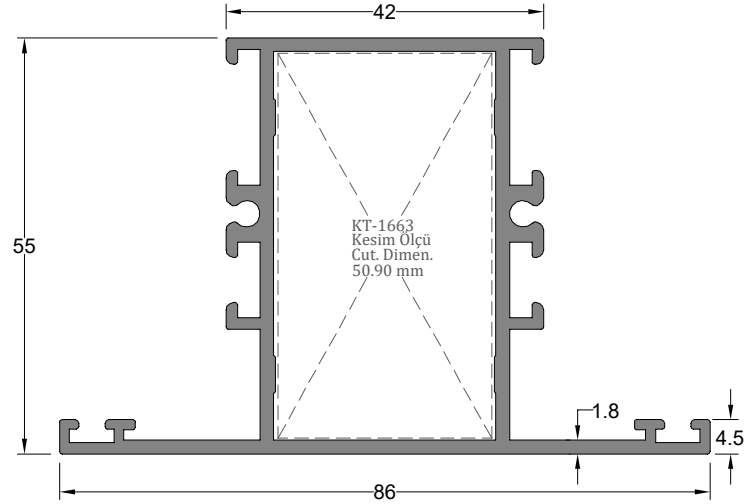
Orta Kayıt Profili MULLION PROFILE	Profil Kodu Profile Code	(kg/mt) weight	Jx cm ⁴	Jy cm ⁴
	5156	1.314	18.95	14.95



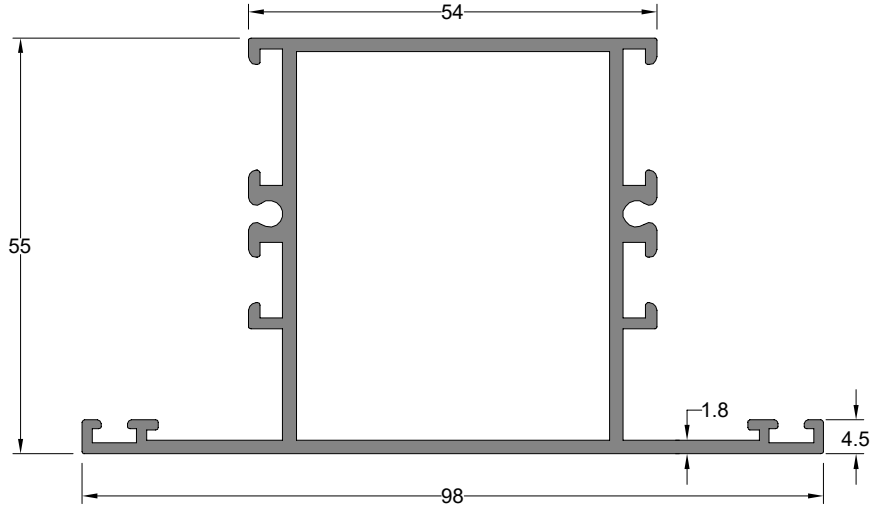
Orta Kayıt Profili MULLION PROFILE	Profil Kodu Profile Code	(kg/mt) weight	Jx cm ⁴	Jy cm ⁴
	1694	1.103	16.53	17.78



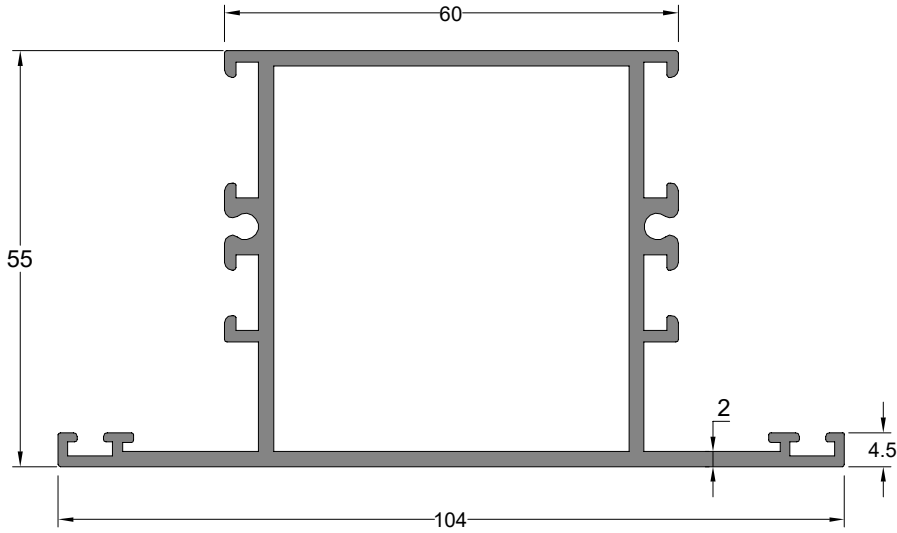
Orta Kayıt Profili MULLION PROFILE	Profil Kodu Profile Code	(kg/mt) weight	Jx cm ⁴	Jy cm ⁴
	1783	1.489	22.39	21.77



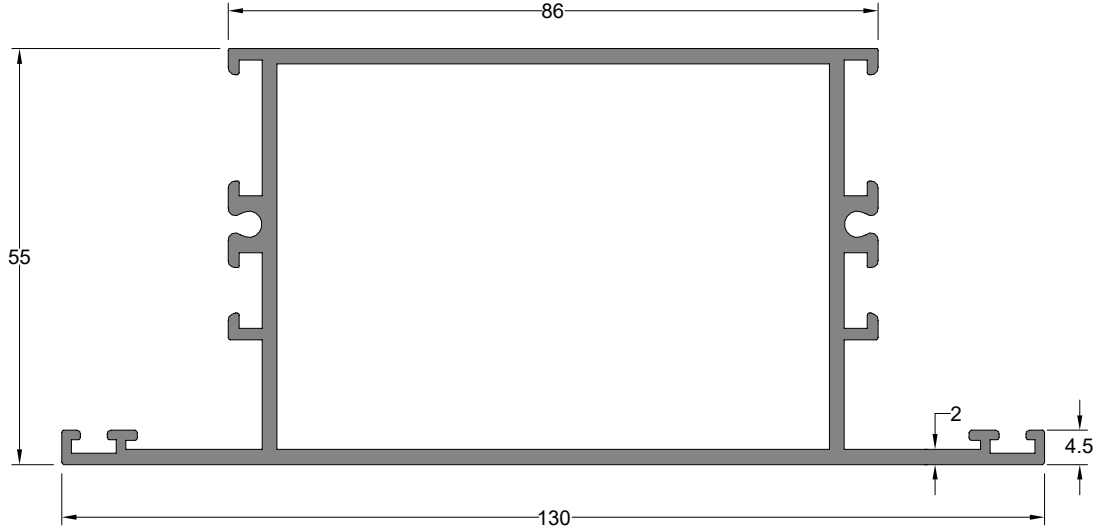
Orta Kayıt Profili MULLION PROFILE	Profil Kodu Profile Code	(kg/mt) weight	Jx cm ⁴	Jy cm ⁴
	3541	1.394	20.91	20.85



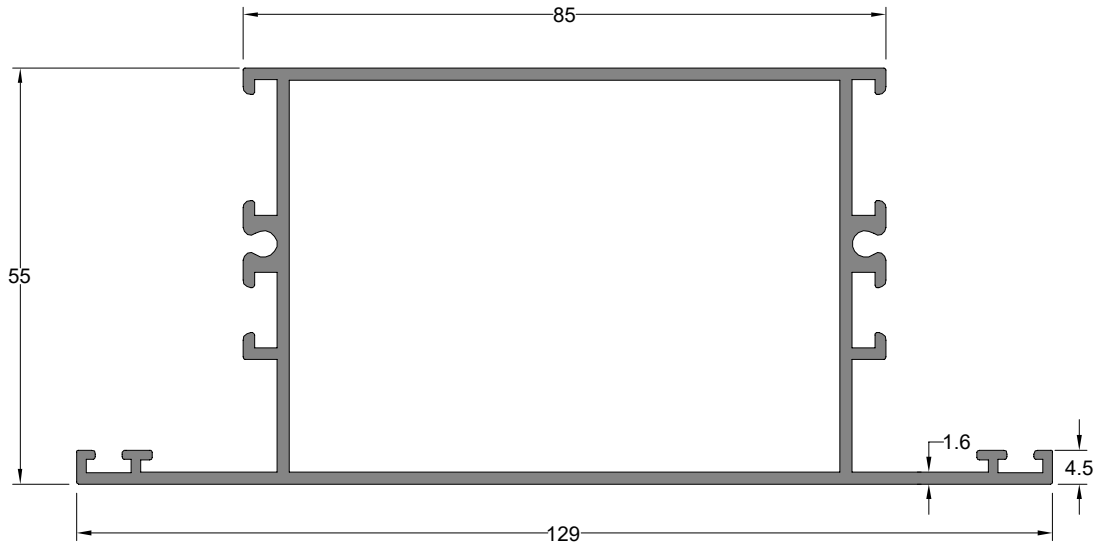
Orta Kayıt Profili MULLION PROFILE	Profil Kodu Profile Code	(kg/mt) weight	Jx cm ⁴	Jy cm ⁴
	1901	1.499	33.67	23.95



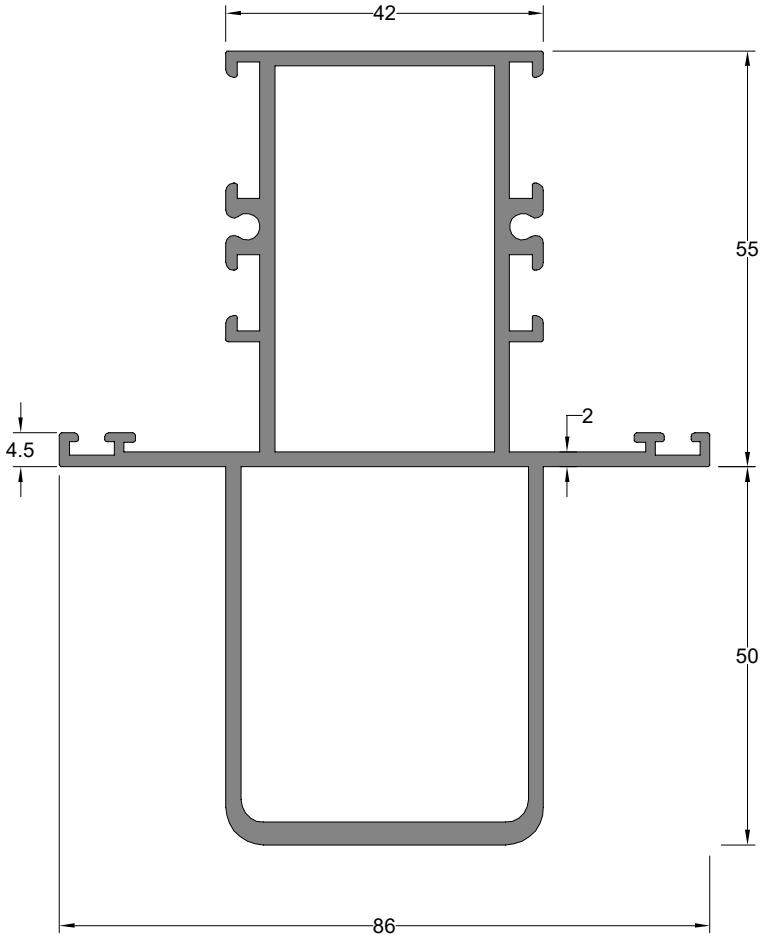
Orta Kayıt Profili MULLION PROFILE	Profil Kodu Profile Code	(kg/mt) weight	Jx cm ⁴	Jy cm ⁴
	5520	1.684	43.70	27.55



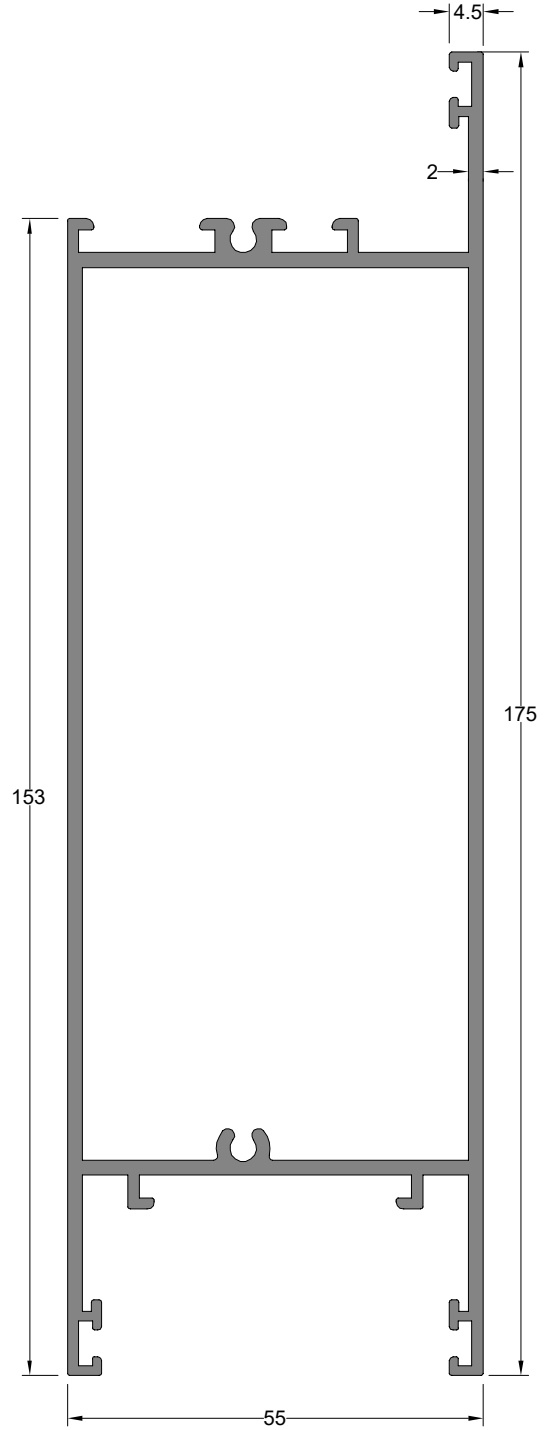
Orta Kayıt Profili MULLION PROFILE	Profil Kodu Profile Code	(kg/mt) weight	Jx cm ⁴	Jy cm ⁴
	1788	1.966	94.13	35.07



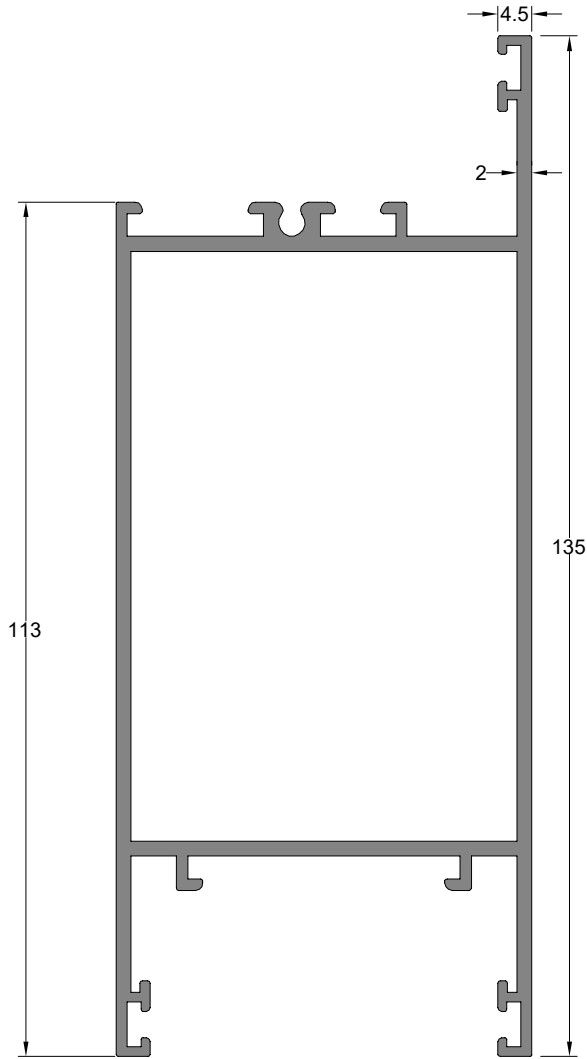
Orta Kayıt Profili MULLION PROFILE	Profil Kodu Profile Code	(kg/mt) weight	Jx cm ⁴	Jy cm ⁴
	4687	1.648	80.83	29.30



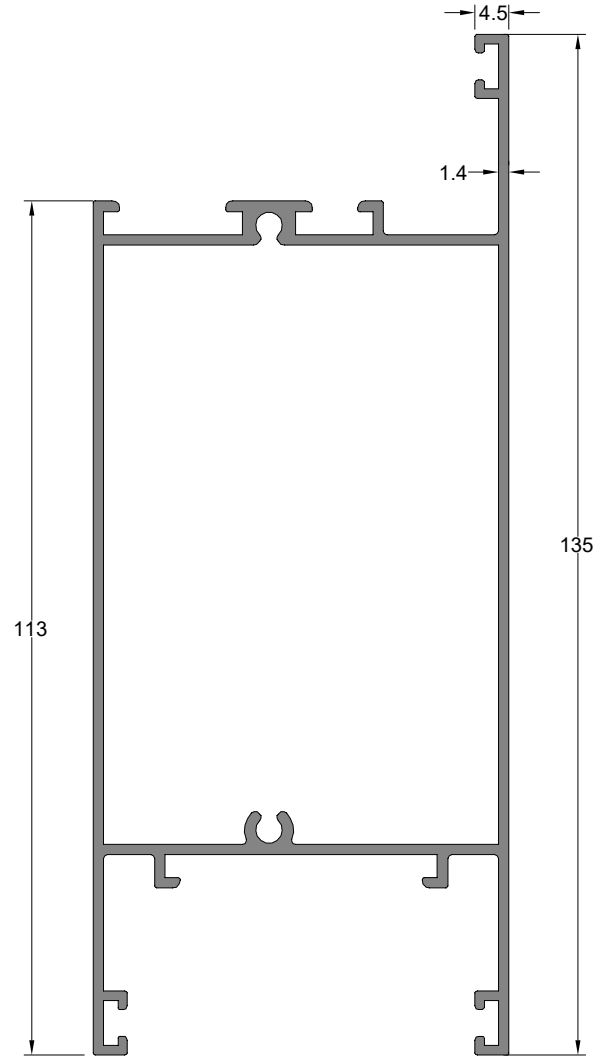
Takviyeli Orta Kayıt Profili REINFORCED MULLION PROFILE	Profil Kodu Profile Code	(kg/mt) weight	Jx cm ⁴	Jy cm ⁴
	2096	2.321	91.80	30.85



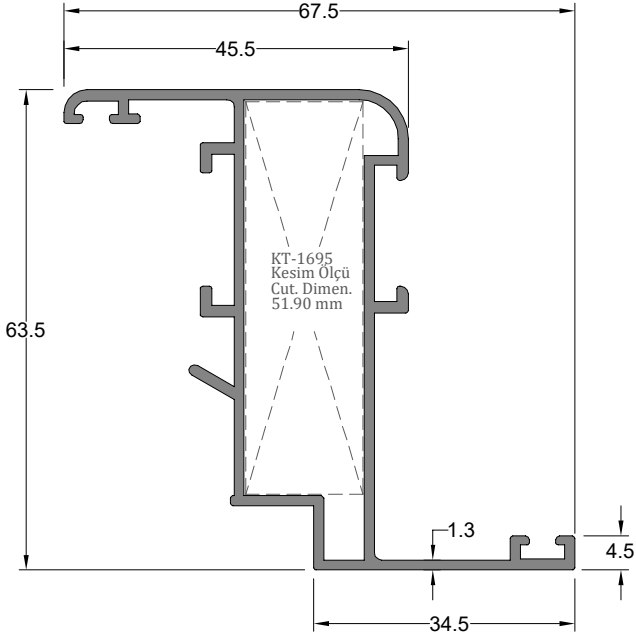
Etek Profili END PROFILE	Profil Kodu Profile Code	(kg/mt) weight	Jx cm ⁴	Jy cm ⁴
	1789	2.558	269.25	26.92



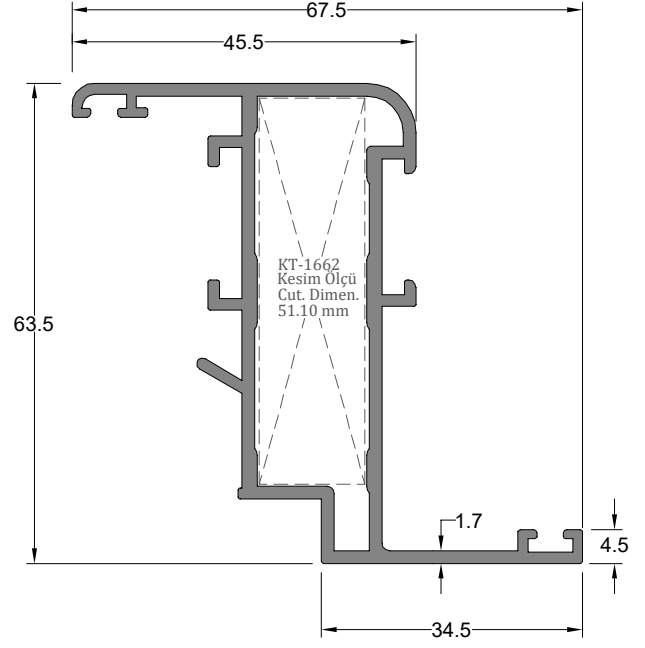
Etek Profili END PROFILE	Profil Kodu Profile Code	(kg/mt) weight	Jx cm ⁴	Jy cm ⁴
	1902	2.114	120.67	40.40



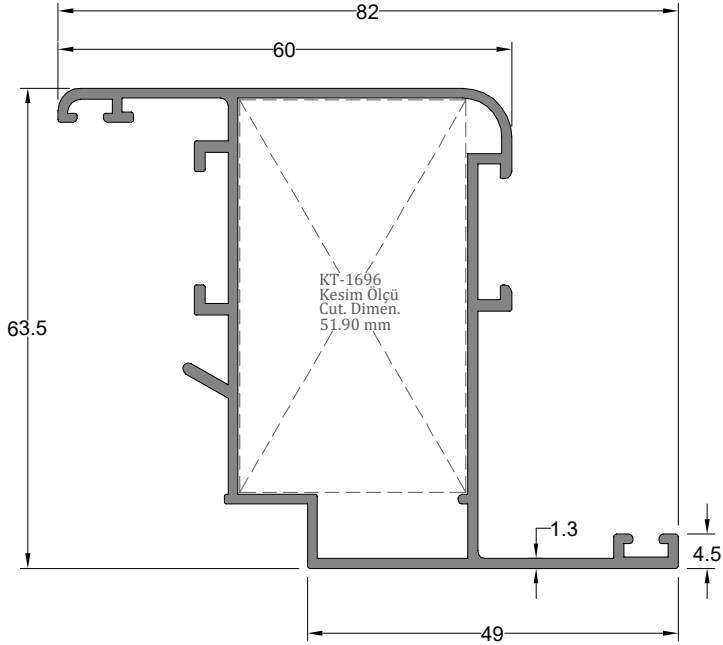
Etek Profili END PROFILE	Profil Kodu Profile Code	(kg/mt) weight	Jx cm ⁴	Jy cm ⁴
	5519	1.614	96.80	30.35



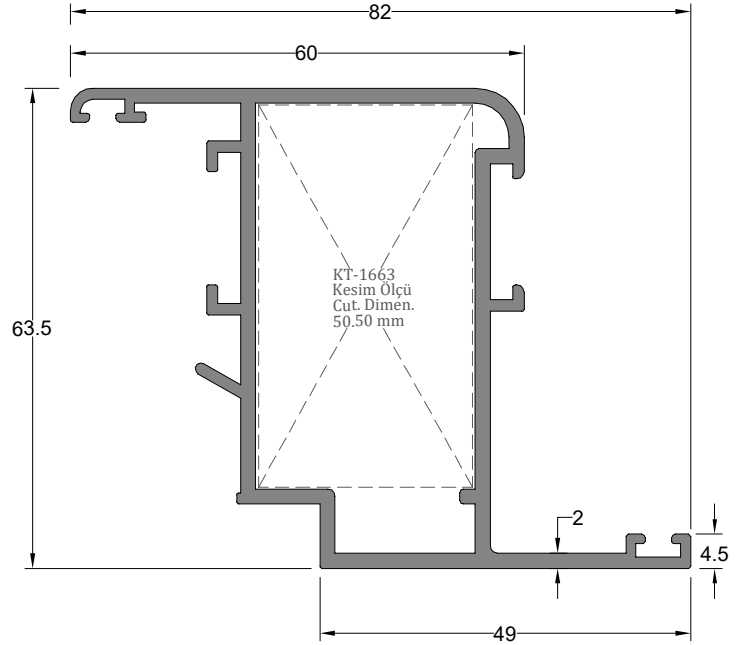
Kanat Profili	Profil Kodu	(kg/mt)	Jx cm ⁴	Jy cm ⁴
SASH PROFILE	Profile Code	weight		
	1691	0.933	21.45	4.43



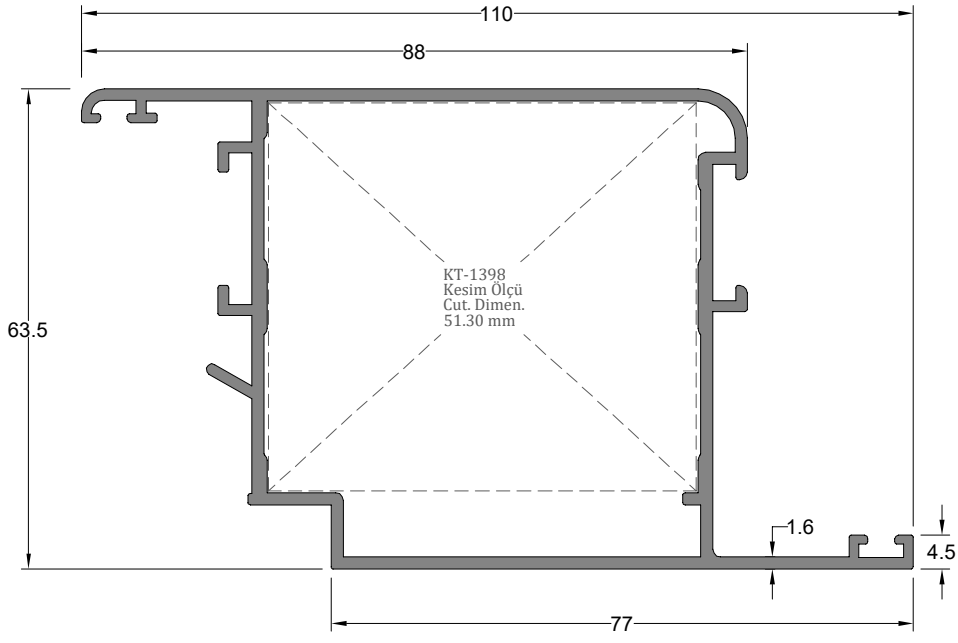
Kanat Profili	Profil Kodu	(kg/mt)	Jx cm ⁴	Jy cm ⁴
SASH PROFILE	Profile Code	weight		
	1784	1.180	25.48	5.25



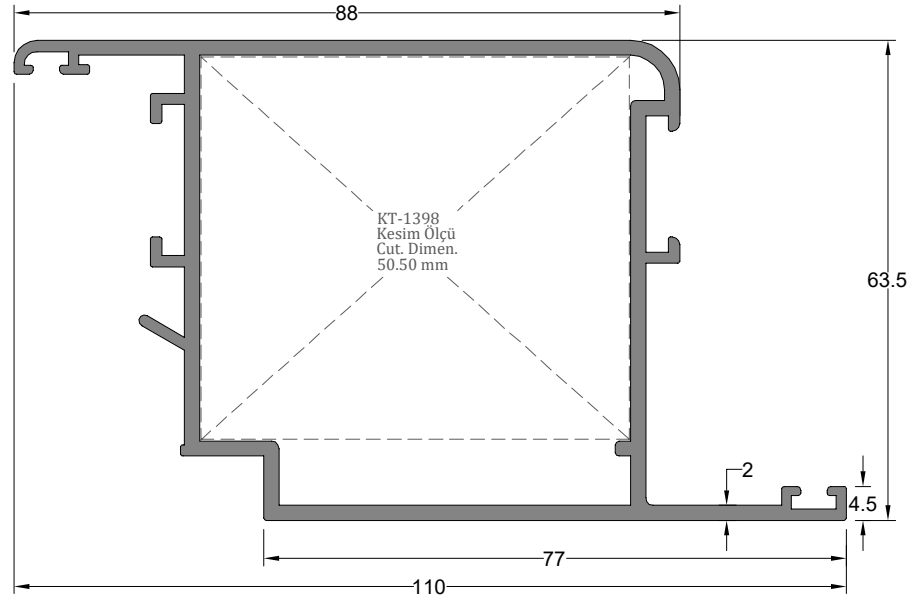
Kanat Profili	Profil Kodu	(kg/mt)	Jx cm ⁴	Jy cm ⁴
SASH PROFILE	Profile Code	weight		
	1692	1.039	28.00	9.68



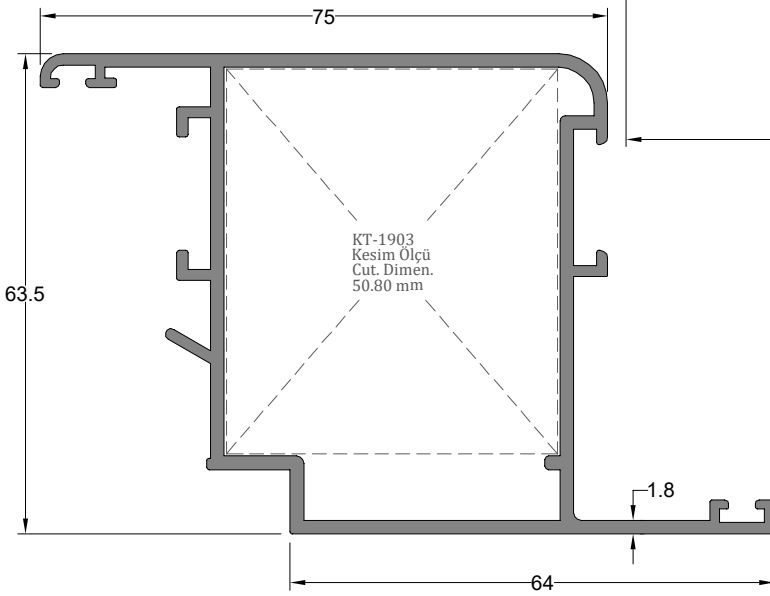
Kanat Profili	Profil Kodu	(kg/mt)	Jx cm ⁴	Jy cm ⁴
SASH PROFILE	Profile Code	weight		
	1785	1.467	36.60	13.16



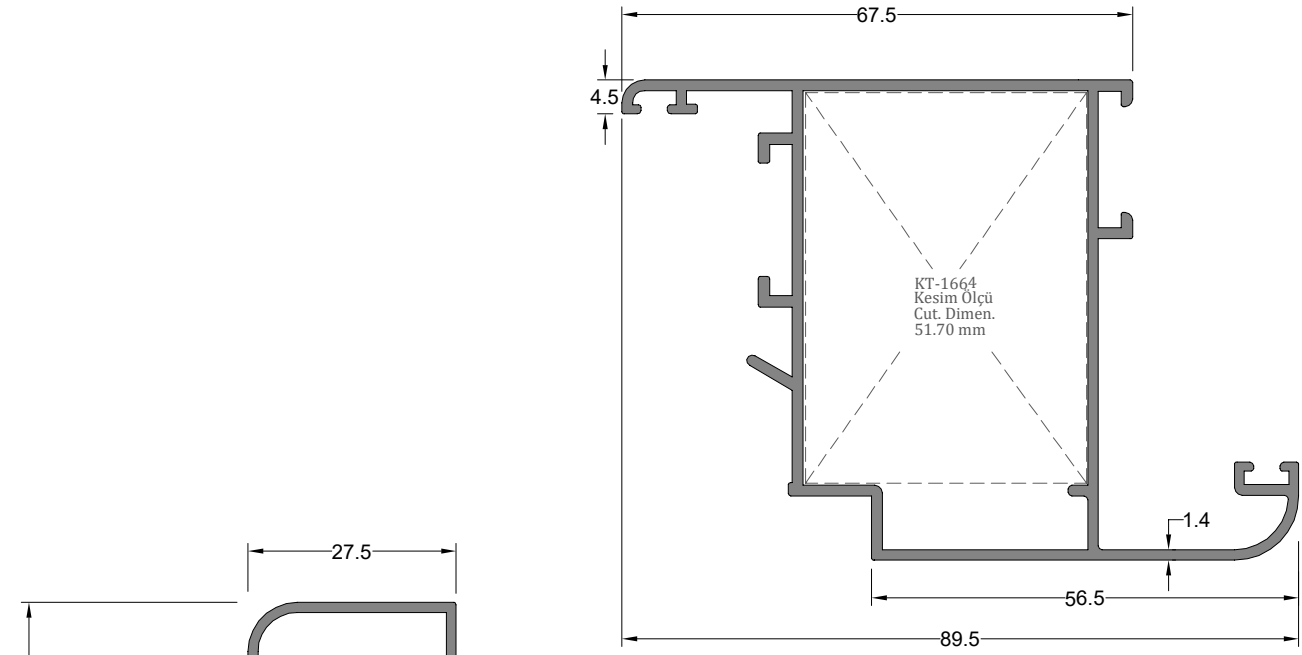
Kanat Profili	Profil Kodu	(kg/mt)	Jx cm ⁴	Jy cm ⁴
SASH PROFILE	Profile Code	weight		
	1660	1.516	57.98	26.80



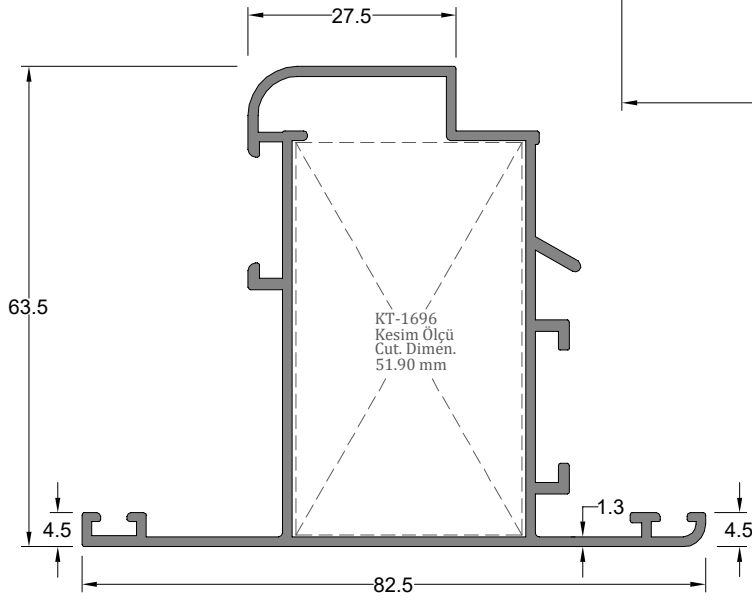
Kanat Profili	Profil Kodu	(kg/mt)	Jx cm ⁴	Jy cm ⁴
SASH PROFILE	Profile Code	weight		
	1787	1.772	65.32	31.83



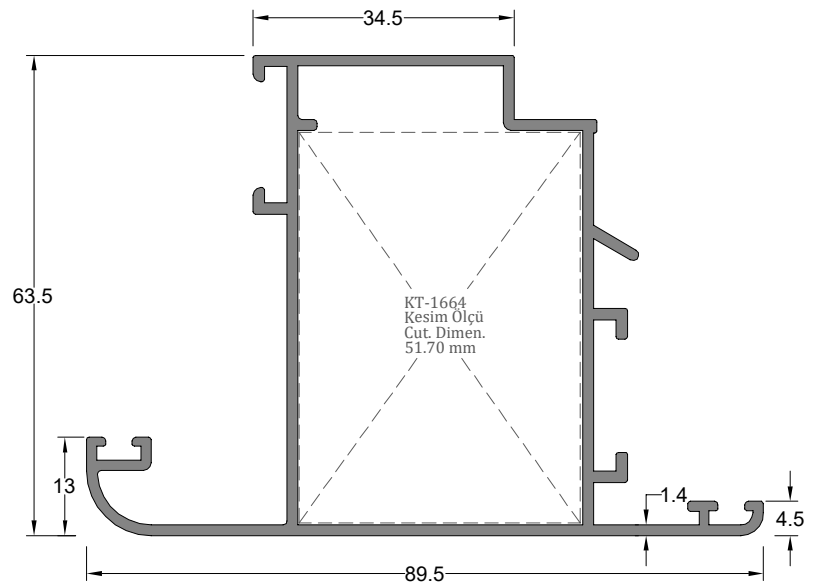
Kanat Profili	Profil Kodu	(kg/mt)	Jx cm ⁴	Jy cm ⁴
SASH PROFILE	Profile Code	weight		
	1900	1.497	45.78	21.39



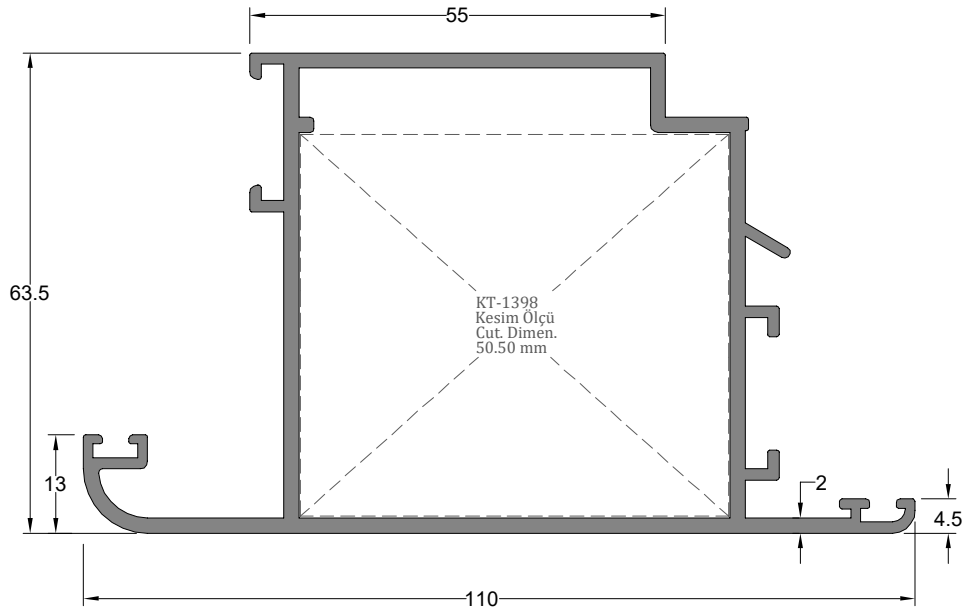
Kanat Profili SASH PROFILE	Profil Kodu Profile Code	(kg/mt) weight	Jx cm ⁴	Jy cm ⁴
	5157	1.206	36.33	14.46



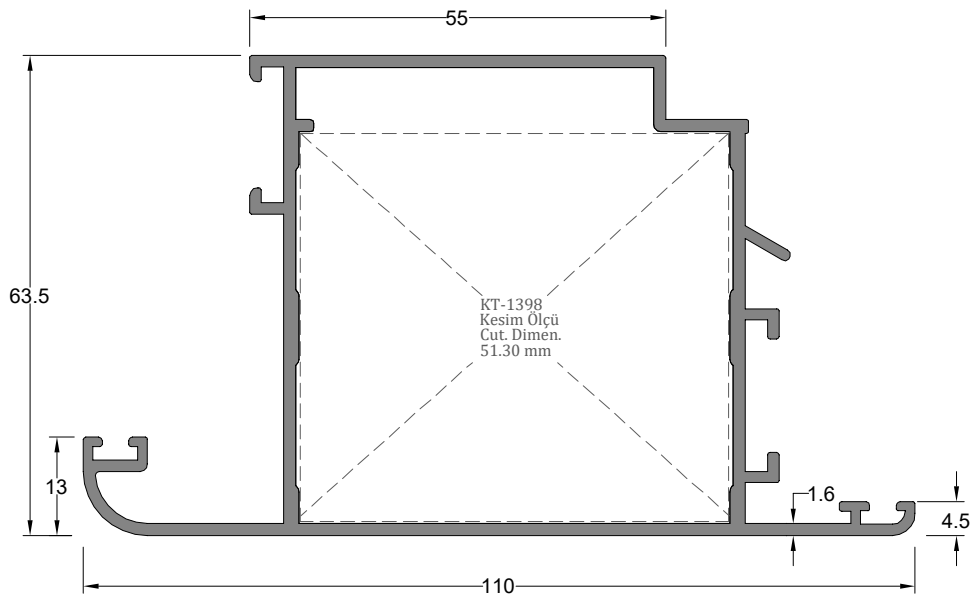
Kanat Profili SASH PROFILE	Profil Kodu Profile Code	(kg/mt) weight	Jx cm ⁴	Jy cm ⁴
	3545	1.052	20.64	15.61



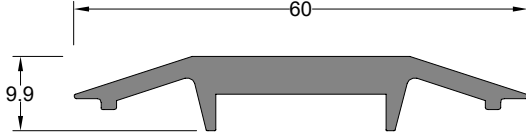
Kanat Profili SASH PROFILE	Profil Kodu Profile Code	(kg/mt) weight	Jx cm ⁴	Jy cm ⁴
	5158	1.206	25.00	23.93



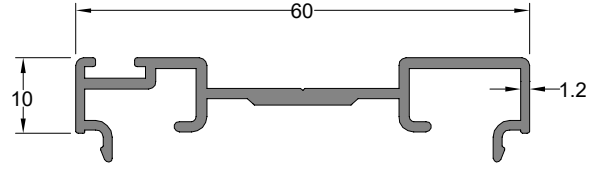
Kanat Profili SASH PROFILE	Profil Kodu Profile Code	(kg/mt) weight	Jx cm ⁴	Jy cm ⁴
	1786	1.820	61.35	40.05



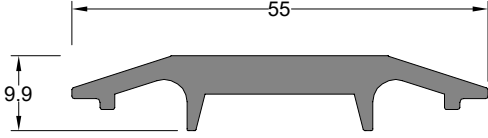
Kanat Profili SASH PROFILE	Profil Kodu Profile Code	(kg/mt) weight	Jx cm ⁴	Jy cm ⁴
	3943	1.559	54.57	33.87



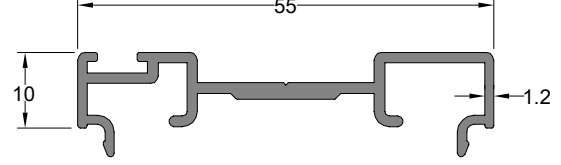
Adaptör Profili ADAPTER PROFILE	Profil Kodu Profile Code	(kg/mt) weight
	1795	0.638



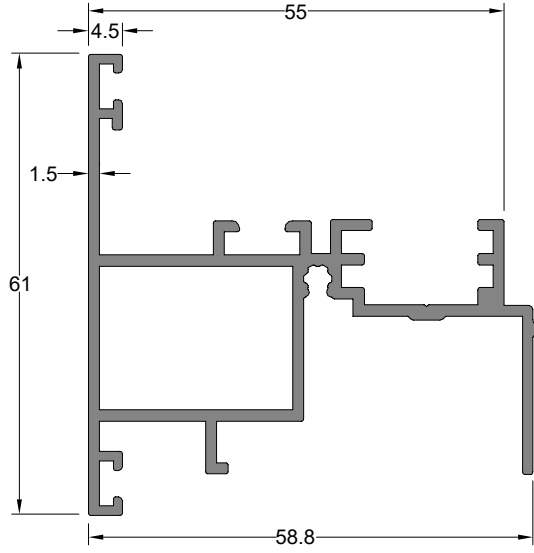
Adaptör Profili ADAPTER PROFILE	Profil Kodu Profile Code	(kg/mt) weight
	1794	0.461



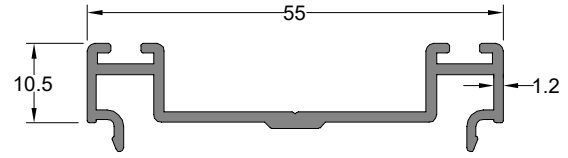
Adaptör Profili ADAPTER PROFILE	Profil Kodu Profile Code	(kg/mt) weight
	1913	0.621



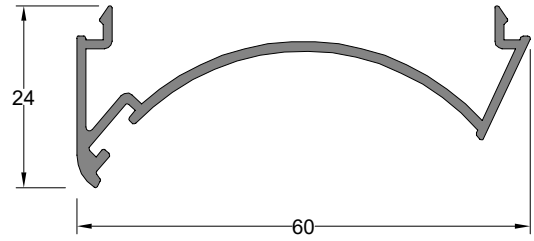
Adaptör Profili ADAPTER PROFILE	Profil Kodu Profile Code	(kg/mt) weight
	1779	0.439



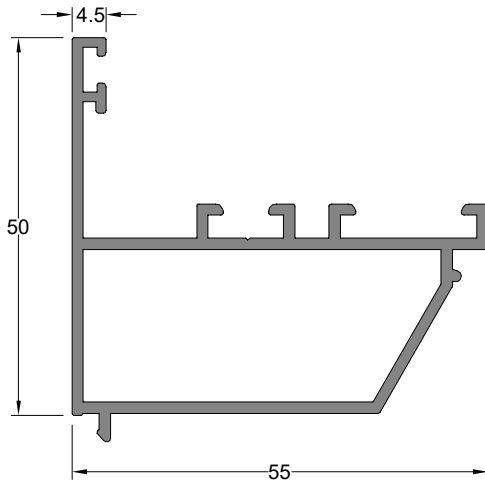
Adaptör Profili ADAPTER PROFILE	Profil Kodu Profile Code	(kg/mt) weight
	11925	1.053



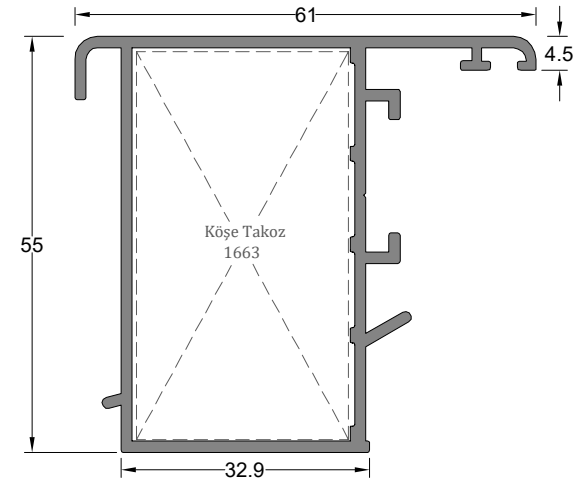
Adaptör Profili ADAPTER PROFILE	Profil Kodu Profile Code	(kg/mt) weight
	6569	0.419



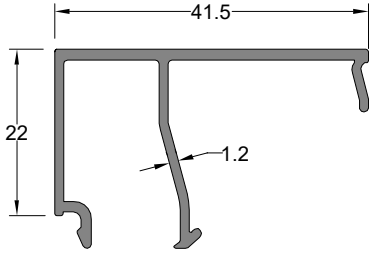
Adaptör Profili ADAPTER PROFILE	Profil Kodu Profile Code	(kg/mt) weight
	9664	0.399



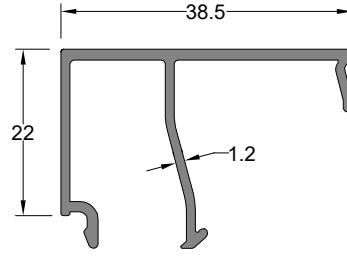
Dışa Açılır Adaptör Profili OUTWARD OPENING ADAPTER PROFILE	Profil Kodu Profile Code	(kg/mt) weight
	1792	0.829



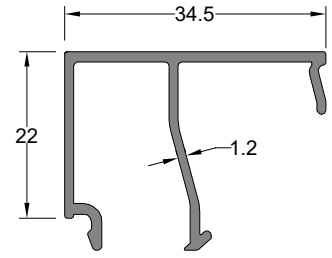
Pivot Adaptör Profili PIVOT ADAPTER PROFILE	Profil Kodu Profile Code	(kg/mt) weight
	1793	0.964



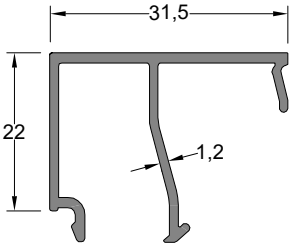
Cam Çıtası GLAZING BEAD	Profil Kodu Profile Code	(kg/mt) Weight
	3537	0,367



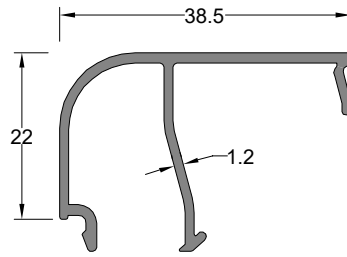
Cam Çıtası GLAZING BEAD	Profil Kodu Profile Code	(kg/mt) Weight
	1749	0,356



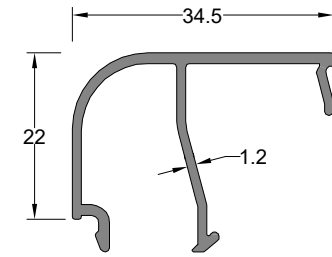
Cam Çıtası GLAZING BEAD	Profil Kodu Profile Code	(kg/mt) Weight
	1747	0,340



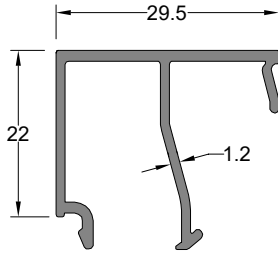
Cam Çıtası GLAZING BEAD	Profil Kodu Profile Code	(kg/mt) Weight
	3536	0,329



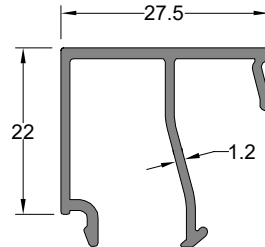
Cam Çıtası GLAZING BEAD	Profil Kodu Profile Code	(kg/mt) Weight
	1750	0,342



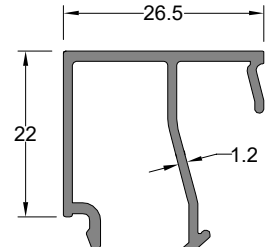
Cam Çıtası GLAZING BEAD	Profil Kodu Profile Code	(kg/mt) Weight
	1748	0,327



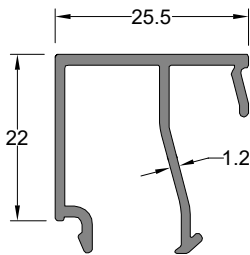
Cam Çıtası GLAZING BEAD	Profil Kodu Profile Code	(kg/mt) Weight
	3636	0,321



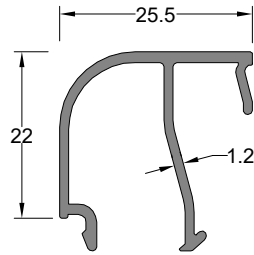
Cam Çıtası GLAZING BEAD	Profil Kodu Profile Code	(kg/mt) Weight
	1966	0,314



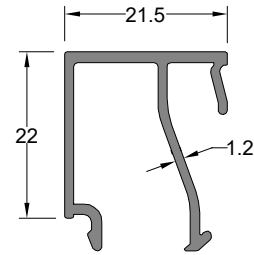
Cam Çıtası GLAZING BEAD	Profil Kodu Profile Code	(kg/mt) Weight
	2236	0,310



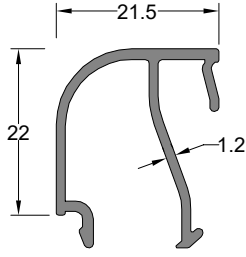
Cam Çıtası GLAZING BEAD	Profil Kodu Profile Code	(kg/mt) Weight
	1949	0,306



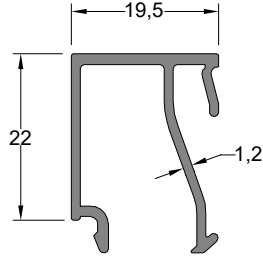
Cam Çıtası GLAZING BEAD	Profil Kodu Profile Code	(kg/mt) Weight
	5527	0,293



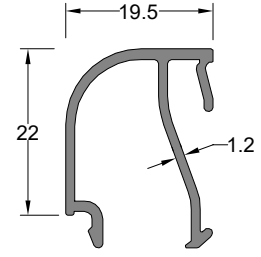
Cam Çıtası GLAZING BEAD	Profil Kodu Profile Code	(kg/mt) Weight
	1745	0,292



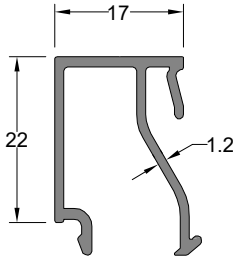
Cam Çıtası GLAZING BEAD	Profil Kodu Profile Code	(kg/mt) Weight
	1746	0,279



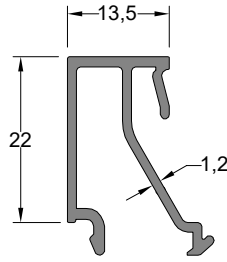
Cam Çıtası GLAZING BEAD	Profil Kodu Profile Code	(kg/mt) Weight
	1699	0,285



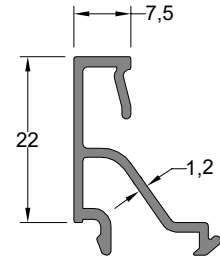
Cam Çıtası GLAZING BEAD	Profil Kodu Profile Code	(kg/mt) Weight
	5546	0,271



Cam Çıtası GLAZING BEAD	Profil Kodu Profile Code	(kg/mt) Weight
	3539	0,277

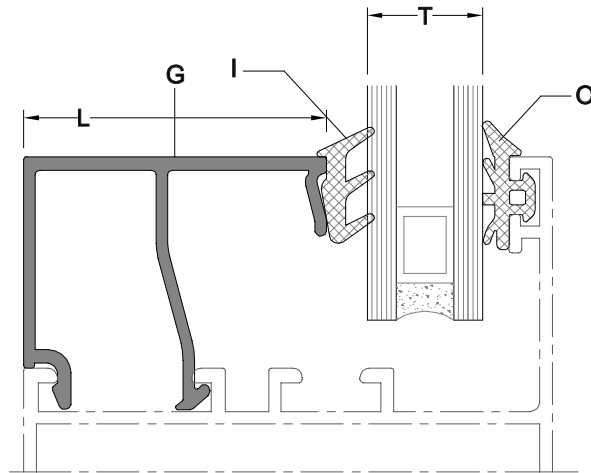


Cam Çıtası GLAZING BEAD	Profil Kodu Profile Code	(kg/mt) Weight
	1698	0,270

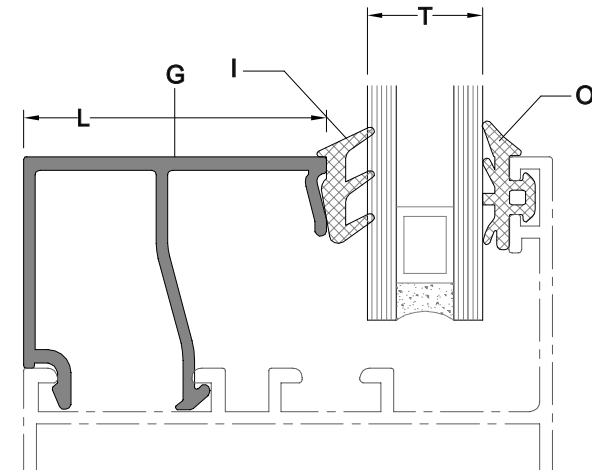


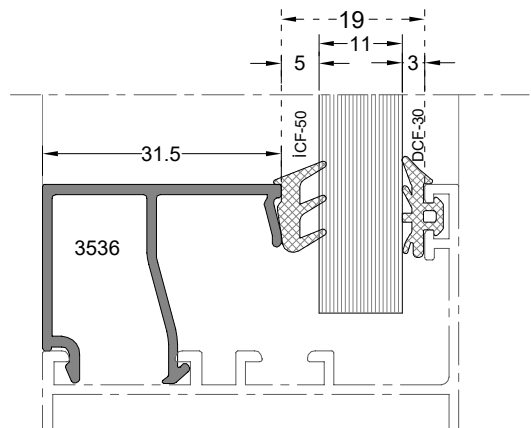
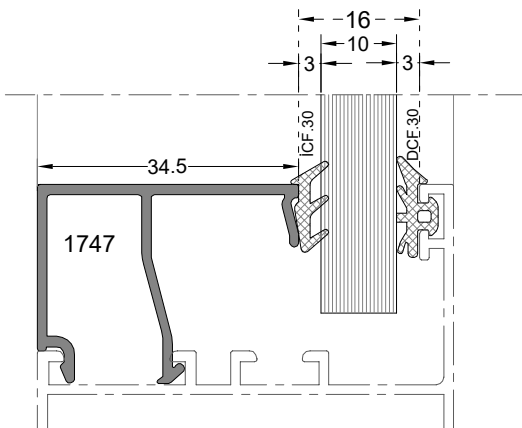
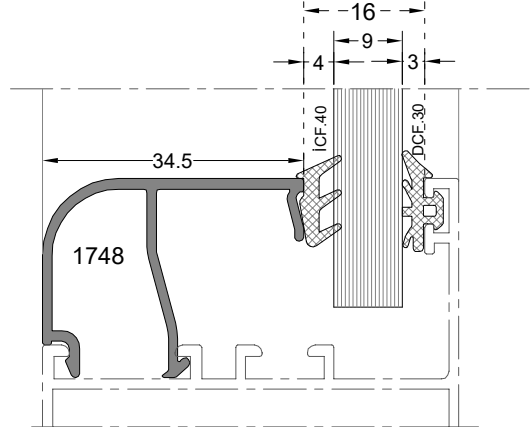
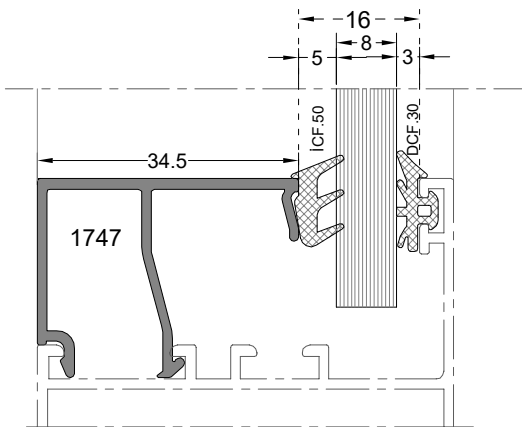
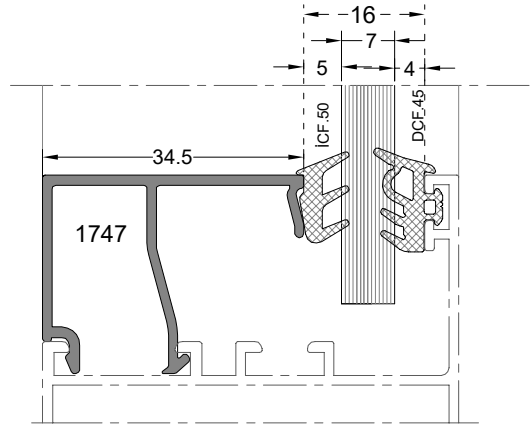
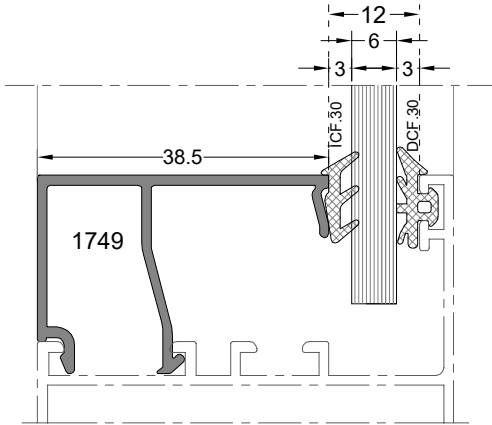
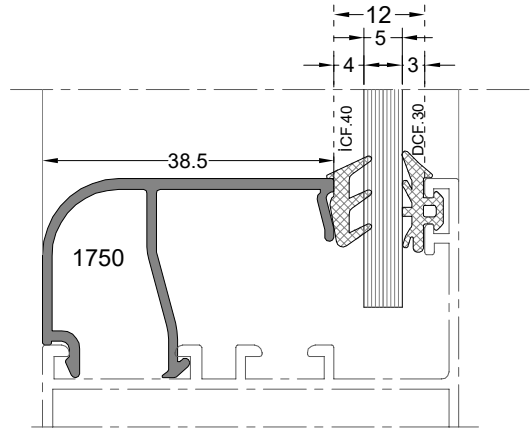
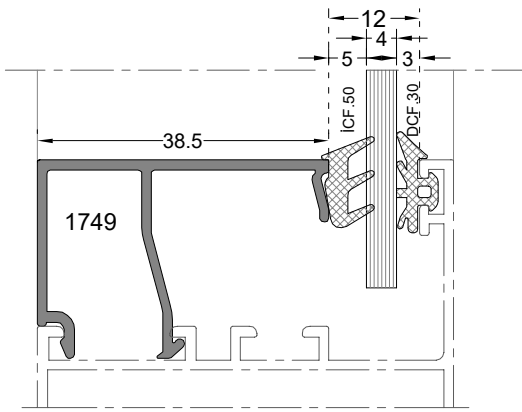
Cam Çıtası GLAZING BEAD	Profil Kodu Profile Code	(kg/mt) Weight
	1948	0,235

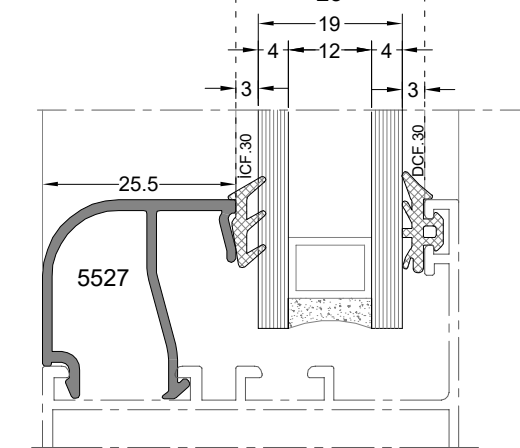
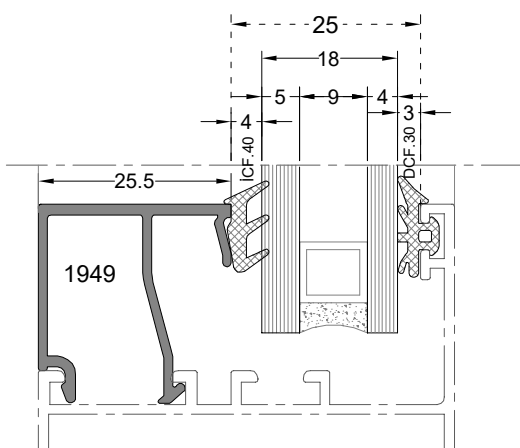
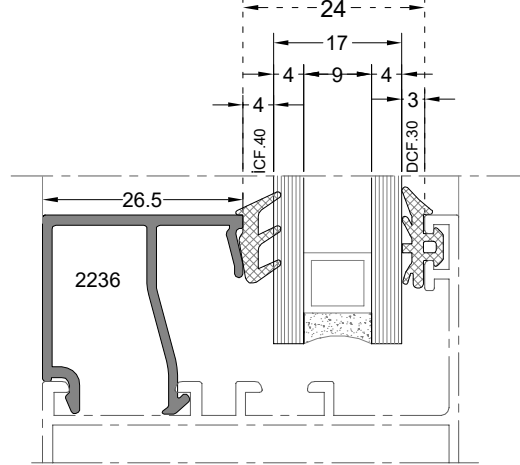
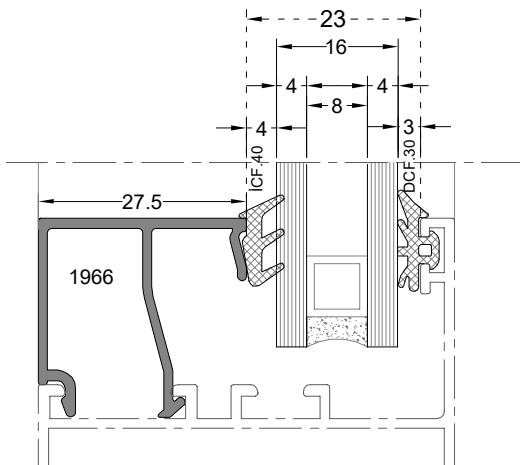
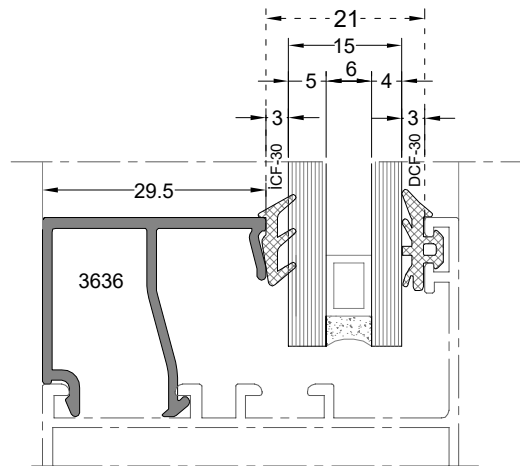
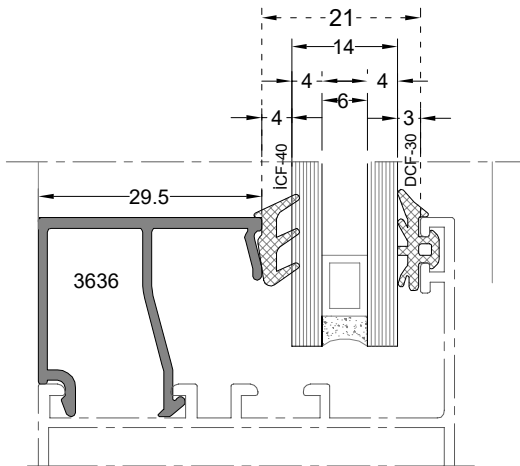
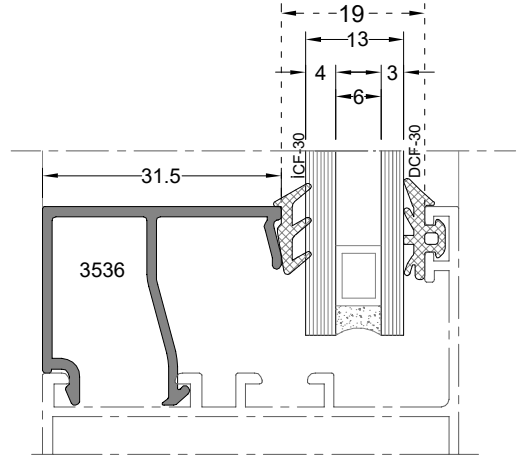
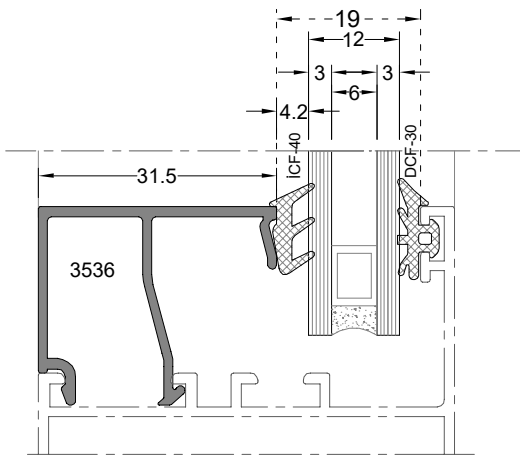
CAM ÇITASI GLAZING BEAD	CAM ÇITASI UZUNLUĞU GLAZING BEAD LENGTH	İÇ CAM FİTİLİ GLAZING GASKET(inside)	CAM KALINLIĞI GLASS THICKNESS	DIŞ CAM FİTİLİ GLAZING GASKET(outside)
(G)	(L)	(I)	(T)	(O)
1749	38,5 mm	İCF.50	4 mm	DCF.30
1750	38,5 mm	İCF.40	5 mm	DCF.30
1749	38,5 mm	İCF.30	6 mm	DCF.30
1747	34,5 mm	İCF.50	7 mm	DCF.45
1747	34,5 mm	İCF.50	8 mm	DCF.30
1748	34,5 mm	İCF.40	9 mm	DCF.30
1747	34,5 mm	İCF.30	10 mm	DCF.30
1747	34,5 mm	İCF.50	11 mm	DCF.30
3536	31,5 mm	İCF.40	12 mm	DCF.30
3536	31,5 mm	İCF.30	13 mm	DCF.30
3636	29,5 mm	İCF.40	14 mm	DCF.30
3636	29,5 mm	İCF.30	15 mm	DCF.30
1966	27,5 mm	İCF.40	16 mm	DCF.30
2236	26,5 mm	İCF.40	17 mm	DCF.30
1949	25,5 mm	İCF.40	18 mm	DCF.30
5527	25,5 mm	İCF.30	19 mm	DCF.30
1745	21,5 mm	İCF.50	20 mm	DCF.45
1745	21,5 mm	İCF.50	21 mm	DCF.30
1745	21,5 mm	İCF.40	22 mm	DCF.30
1746	21,5 mm	İCF.30	23 mm	DCF.30
5546	19,5 mm	İCF.40	24 mm	DCF.30

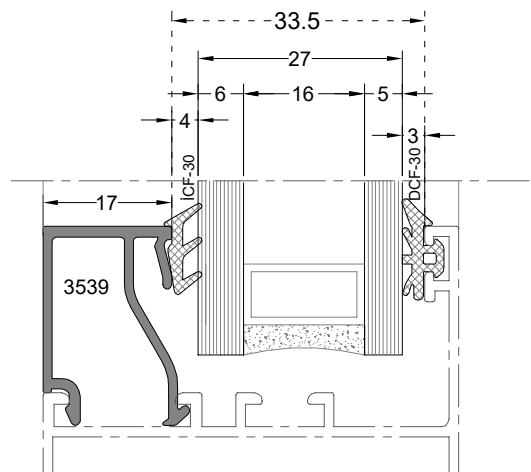
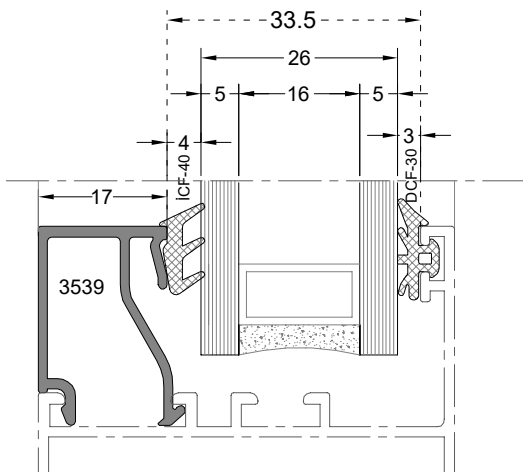
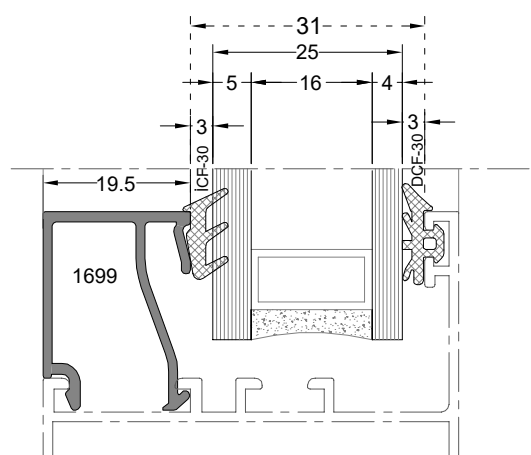
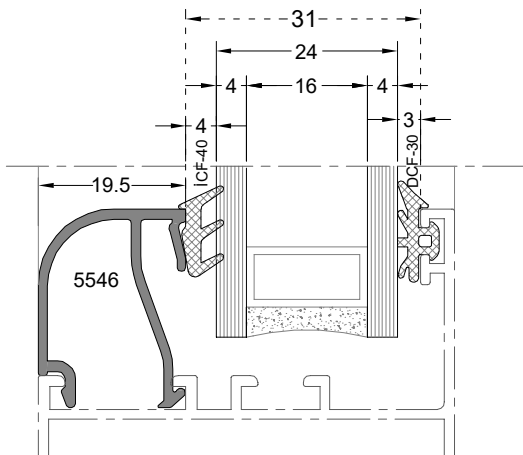
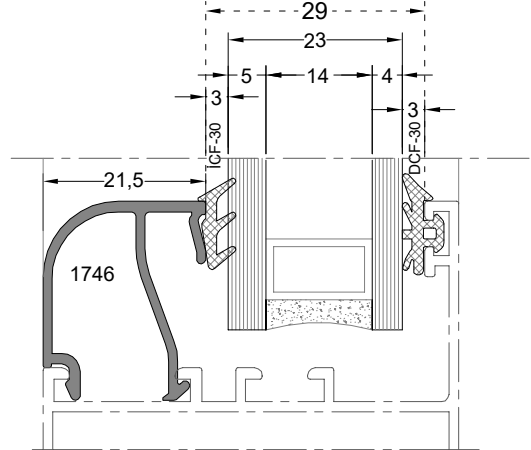
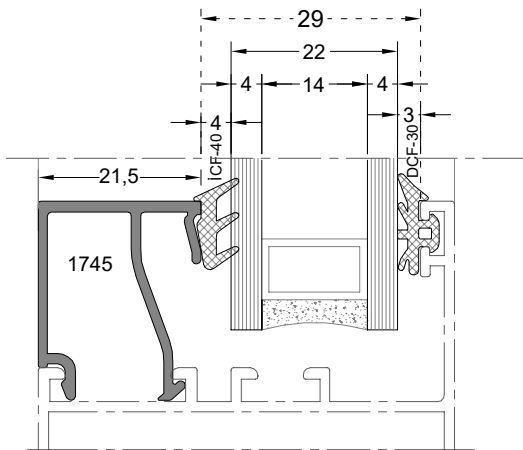
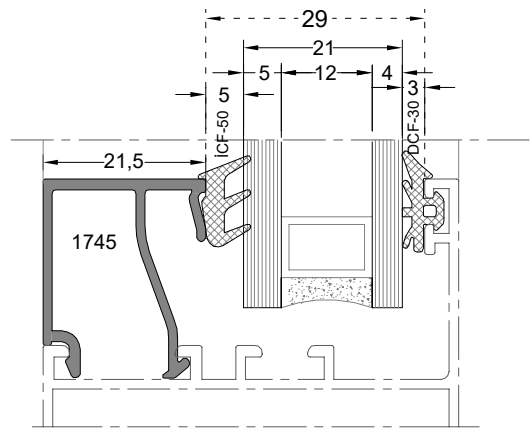
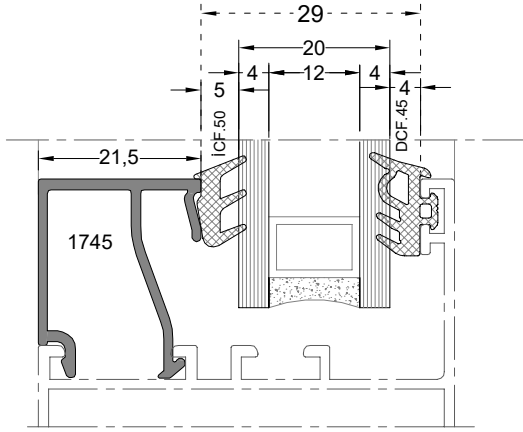


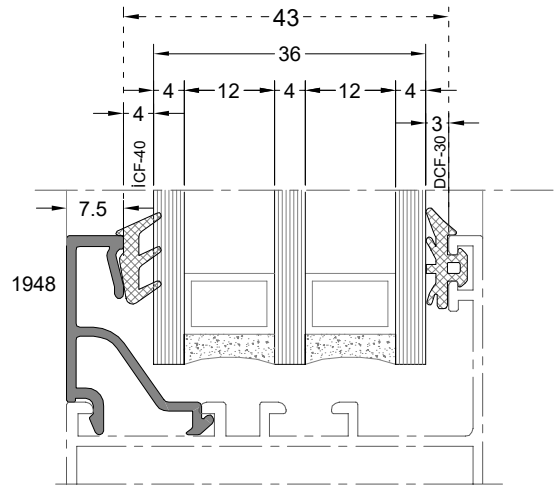
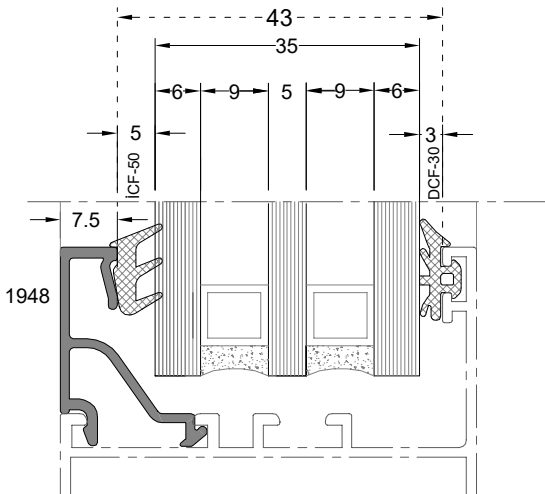
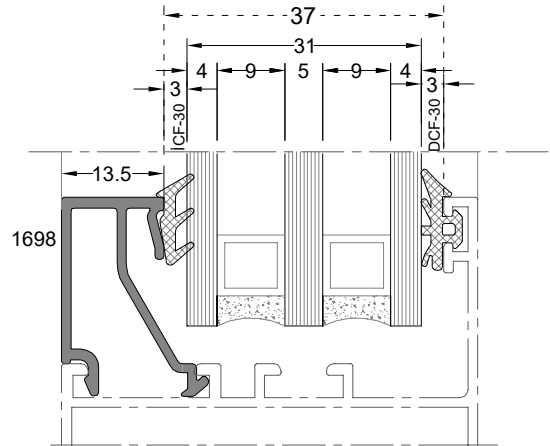
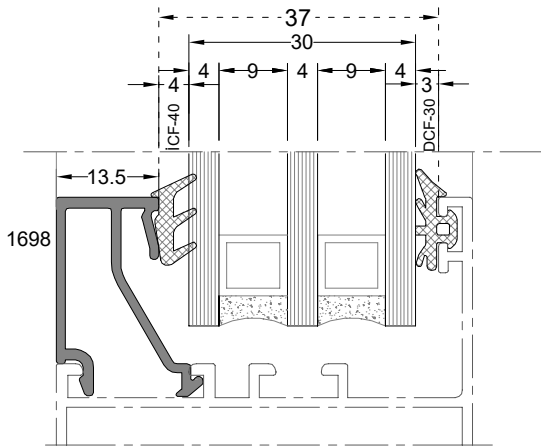
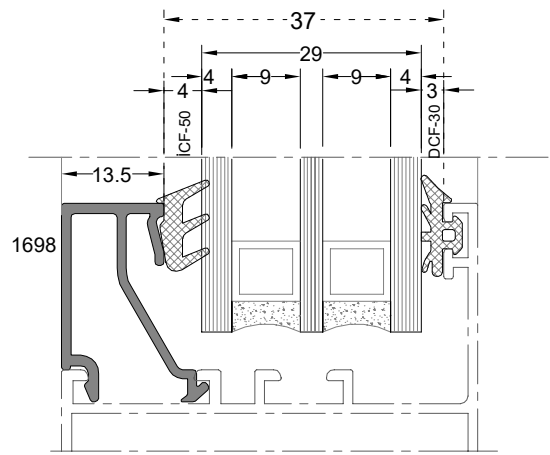
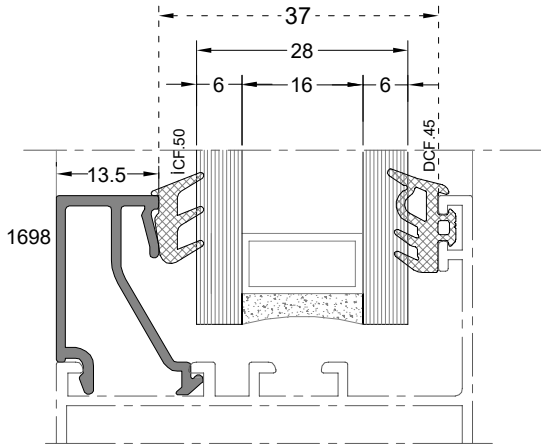
CAM ÇİTASI GLAZING BEAD (G)	CAM ÇİTASI UZUNLUĞU GLAZING BEAD LENGTH (L)	İÇ CAM FİTİLİ GLAZING GASKET(inside) (I)	CAM KALINLIĞI GLASS THICKNESS (T)	DIŞ CAM FİTİLİ GLAZING GASKET(outside) (O)
1699	19,5 mm	İCF.30	25 mm	DCF.30
3539	17 mm	İCF.40	26 mm	DCF.30
3539	17 mm	İCF.30	27 mm	DCF.30
1698	13,5 mm	İCF.50	28 mm	DCF.45
1698	13,5 mm	İCF.50	29 mm	DCF.30
1698	13,5 mm	İCF.40	30 mm	DCF.30
1698	13,5 mm	İCF.30	31 mm	DCF.30
1948	13,5 mm	İCF.50	35 mm	DCF.30
1948	13,5 mm	İCF.40	36 mm	DCF.30

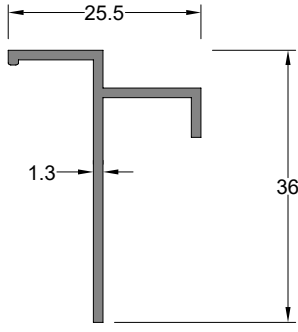




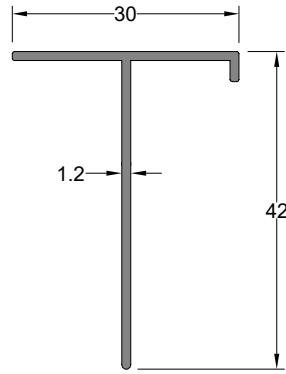




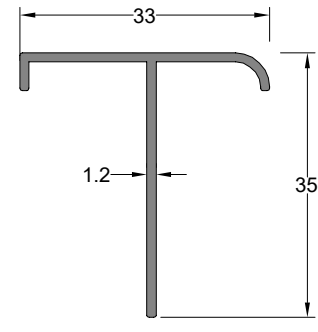




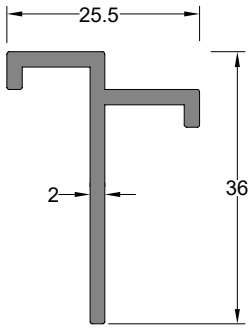
T Bağlantı Profili T CONNECTION PROFILE	Profil Kodu Profile Code	(kg/mt) Weight
	1121	0,233



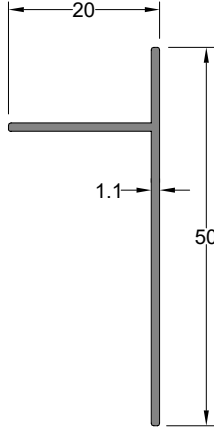
T Bağlantı Profili T CONNECTION PROFILE	Profil Kodu Profile Code	(kg/mt) Weight
	1035	0,240



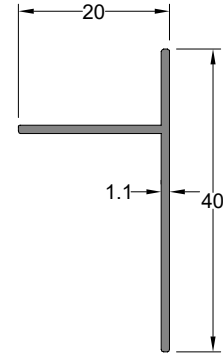
T Bağlantı Profili T CONNECTION PROFILE	Profil Kodu Profile Code	(kg/mt) Weight
	1139	0,239



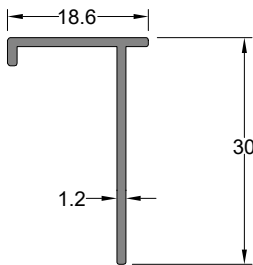
T Bağlantı Profili T CONNECTION PROFILE	Profil Kodu Profile Code	(kg/mt) Weight
	1123	0,355



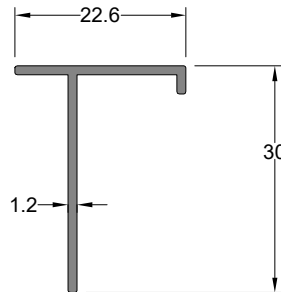
T Bağlantı Profili T CONNECTION PROFILE	Profil Kodu Profile Code	(kg/mt) Weight
	5788	0,205



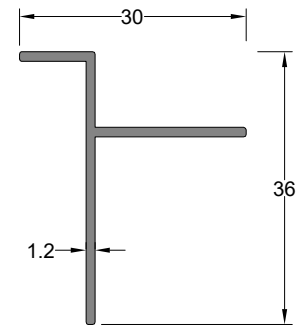
T Bağlantı Profili T CONNECTION PROFILE	Profil Kodu Profile Code	(kg/mt) Weight
	6414	0,175



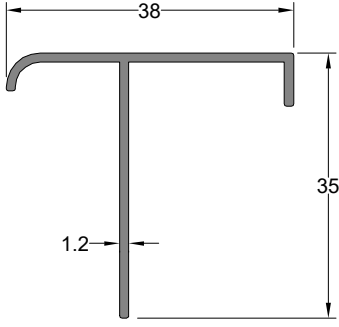
T Bağlantı Profili T CONNECTION PROFILE	Profil Kodu Profile Code	(kg/mt) Weight
	3917	0,162



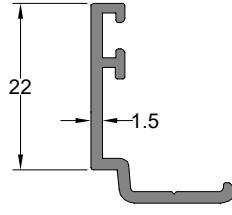
T Bağlantı Profili T CONNECTION PROFILE	Profil Kodu Profile Code	(kg/mt) Weight
	3832	0,175



T Bağlantı Profili T CONNECTION PROFILE	Profil Kodu Profile Code	(kg/mt) Weight
	3818	0,210

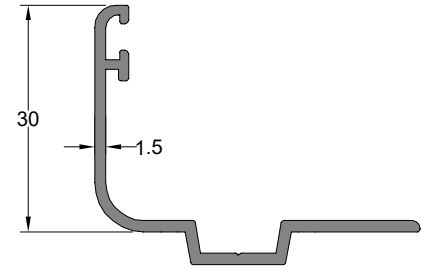


T Bağlantı Profili T CONNECTION PROFILE	Profil Kodu Profile Code	(kg/mt) Weight
	7039	0,260



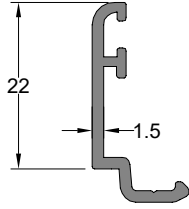
Pervaz Profili SILL PROFILE	Profil Kodu Profile Code	(kg/mt) weight
	1912	0.211

1905,1906,1907,1908,1909,1910 profiller ile çalışır



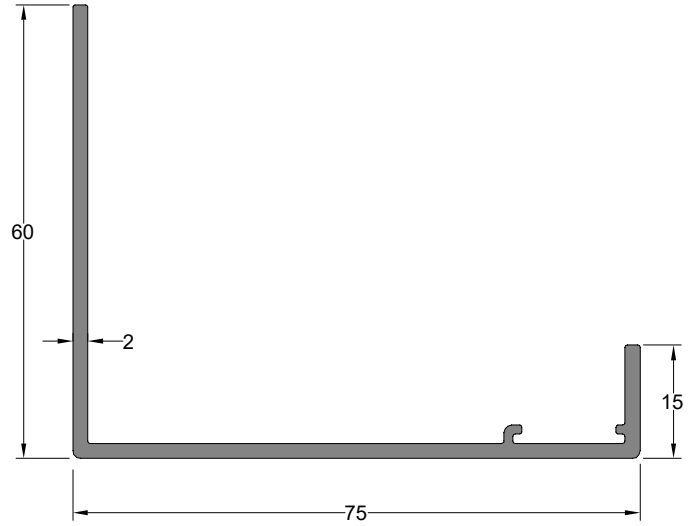
Pervaz Profili SILL PROFILE	Profil Kodu Profile Code	(kg/mt) weight
	1681	0.340

1905,1906,1907,1908,1909,1910 profiller ile çalışır

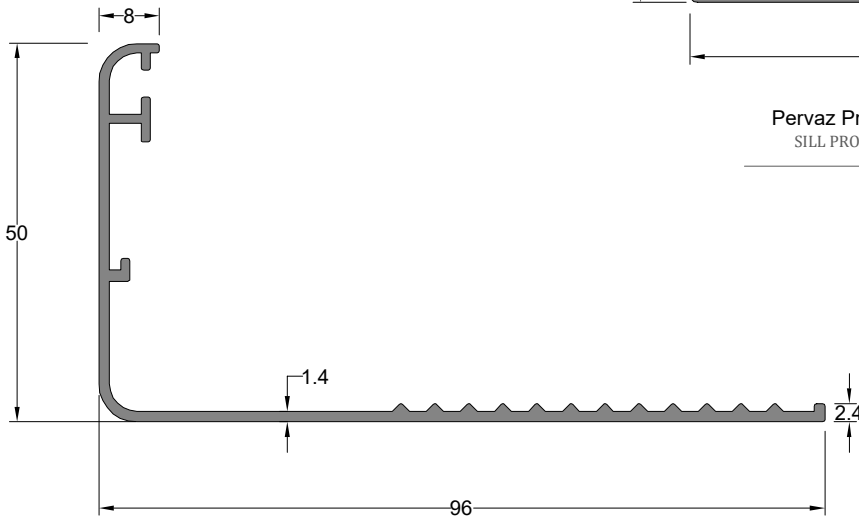


Pervaz Profili SILL PROFILE	Profil Kodu Profile Code	(kg/mt) weight
	4251	0.182

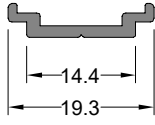
1685-1686-1687-1780-1781-1782 profiller ile çalışır



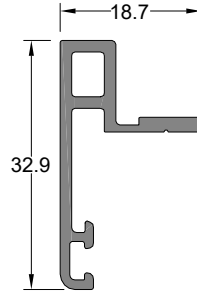
Pervaz Profili SILL PROFILE	Profil Kodu Profile Code	(kg/mt) Weight
	10012	0,805



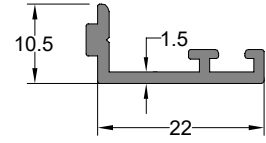
Pervaz Profili SILL PROFILE	Profil Kodu Profile Code	(kg/mt) Weight
	553	0,656



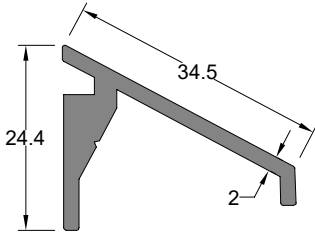
Tij Profili STEM BAR PROFILE	Profil Kodu Profile Code	(kg/mt) Weight
	8241	0,099



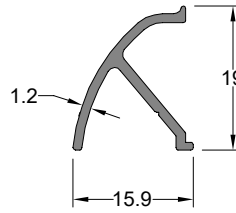
Kanat Altı Kapama Profili SUB-SASH COVER PROFILE	Profil Kodu Profile Code	(kg/mt) Weight
	10923	0,295



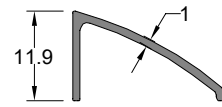
Kasa Bağlantı Profili FRAME CONNECTION PROFILE	Profil Kodu Profile Code	(kg/mt) Weight
	1772	0,176



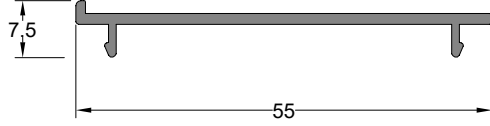
Damlalık Profili SILL PROFILE	Profil Kodu Profile Code	(kg/mt) Weight
	1011	0,402



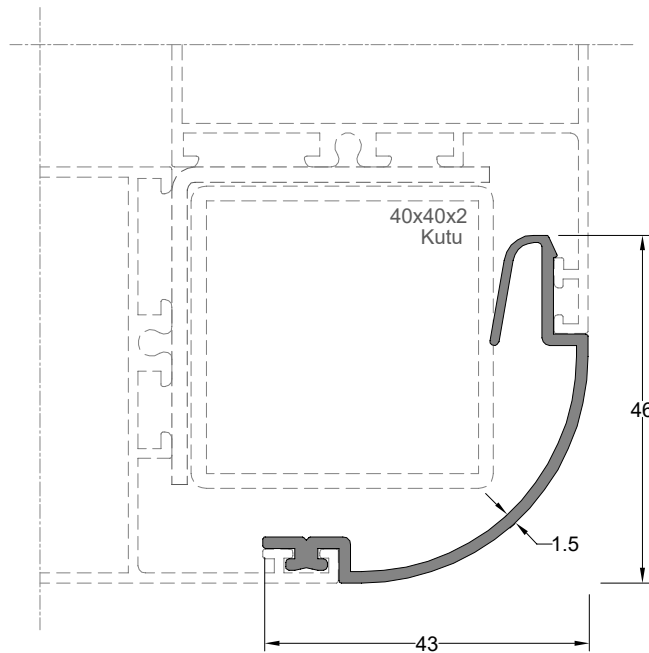
Damlalık Profili SILL PROFILE	Profil Kodu Profile Code	(kg/mt) Weight
	7021	0,140



Damlalık Profili SILL PROFILE	Profil Kodu Profile Code	(kg/mt) Weight
	4242	0,094

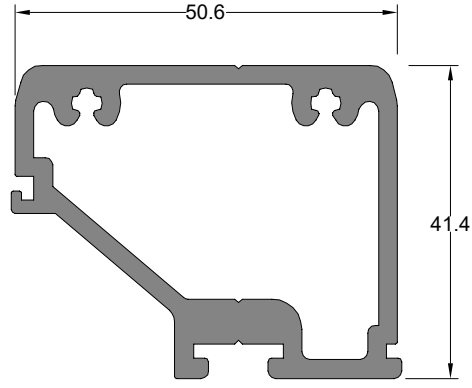


Kasa Kapak Profili FRAME COVER PROFILE	Profil Kodu Profile Code	(kg/mt) Weight
	9692	0,240

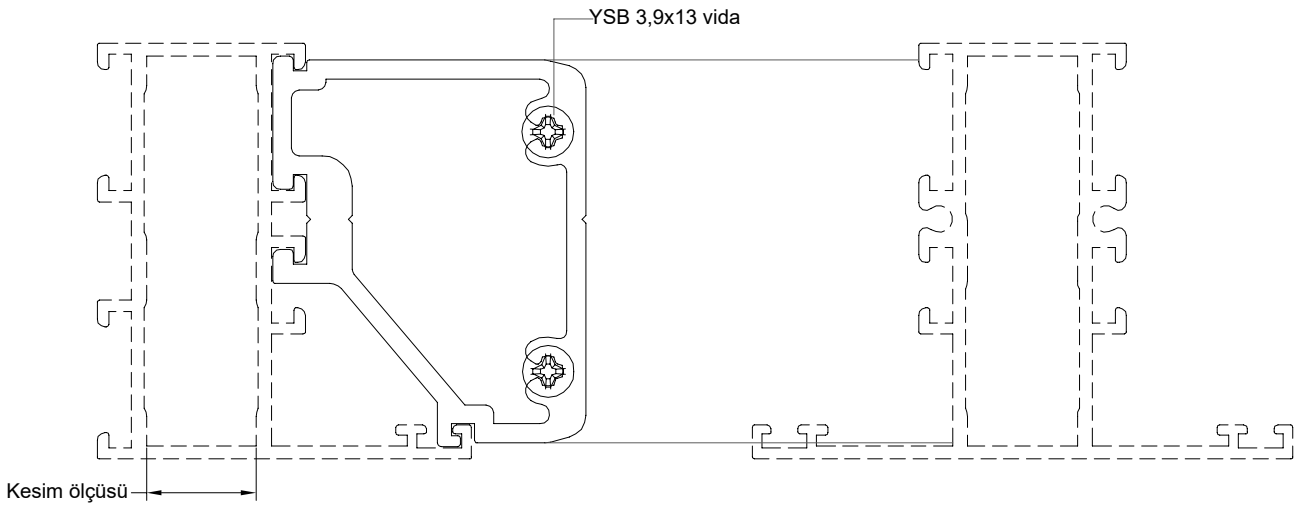


Adaptör Profili ADAPTER PROFILE	Profil Kodu Profile Code	(kg/mt) Weight
	1911	0,425

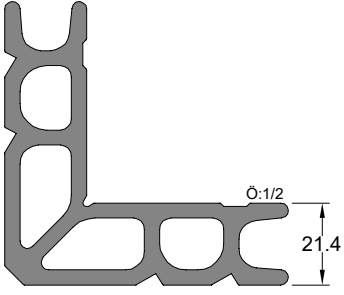
** Her profil için minimum sipariş 300 kg'dır.
** Minimum order quantity is 300 kg per profile.



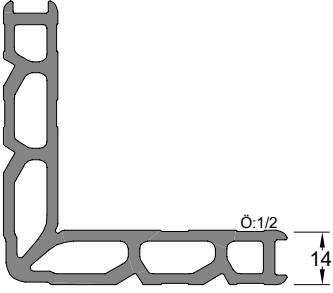
Orta Kayıt Bağlantı Profili	Profil Kodu	(kg/mt)
MULLION CONNECTION PROFILE	Profile Code	weight
	1775	1.525



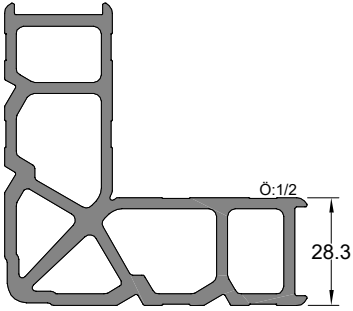
ORTA KAYIT BAĞLANTI PROFİLİ MULLION CONNECTION PROFILE	KULLANILAN PROFİL COMPATIBLE PROFILES	PROFİL KODU PROFILE CODE	Kesim Ölçüsü CUTTING DIMENSION
1775		1790	14 mm
		1693	15,5 mm
		5156	22 mm
		1694	30 mm
		1783	28,5 mm
		3541	28,5 mm
		1901	41 mm
		5520	46,5 mm
		1788	72,5 mm
		4687	72,3 mm
		2096	72,3 mm



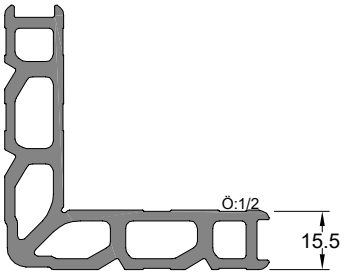
Köşe Takoğu Profil Kodu Corner Wedge Profile Code	Kullanıldığı Profil Compatible Profile	Kesim Boyu (mm) Cutting Length (mm)
1661	5580	51,10 mm
	5156	50,90 mm



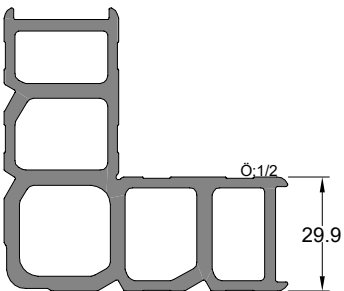
Köşe Takoğu Profil Kodu Corner Wedge Profile Code	Kullanıldığı Profil Compatible Profile	Kesim Boyu (mm) Cutting Length (mm)
1662	1780	56,10 mm
	1906	51,10 mm
	1784	51,10 mm
	1790	51,10 mm



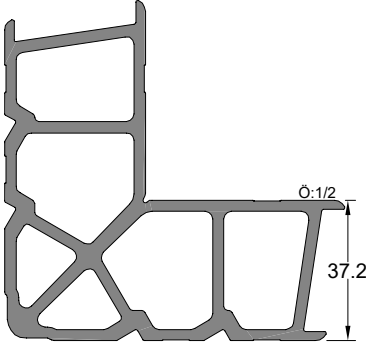
Köşe Takoğu Profil Kodu Corner Wedge Profile Code	Kullanıldığı Profil Compatible Profile	Kesim Boyu (mm) Cutting Length (mm)
1663	1785,2096, 1783	50,50 mm
	1908	50,50 mm
	3540, 3541	50,90 mm
	1781	56,10 mm



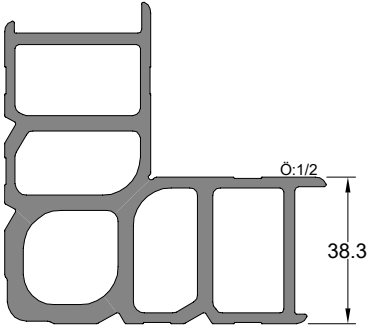
Köşe Takoğu Profil Kodu Corner Wedge Profile Code	Kullanıldığı Profil Compatible Profile	Kesim Boyu (mm) Cutting Length (mm)
1695	1691	51,90 mm
	1905	51,90 mm
	1685	56,90 mm



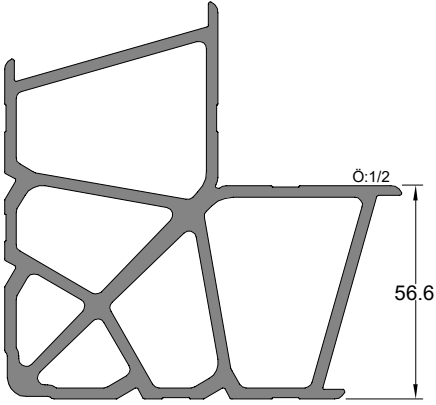
Köşe Takoğu Profil Kodu Corner Wedge Profile Code	Kullanıldığı Profil Compatible Profile	Kesim Boyu (mm) Cutting Length (mm)
1696	3545	51,90 mm
	1692	51,90 mm
	1694	51,90 mm
	1907	51,90 mm
	1686	57,00 mm



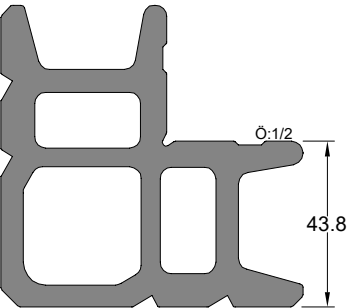
Köşe Takoza Profil Kodu Corner Wedge Profile Code	Kullanıldığı Profil Compatible Profile	Kesim Boyu (mm) Cutting Length (mm)
1664	1910	50,50 mm
	5157	51,70 mm
	5158	51,70 mm
	1782	56,10 mm



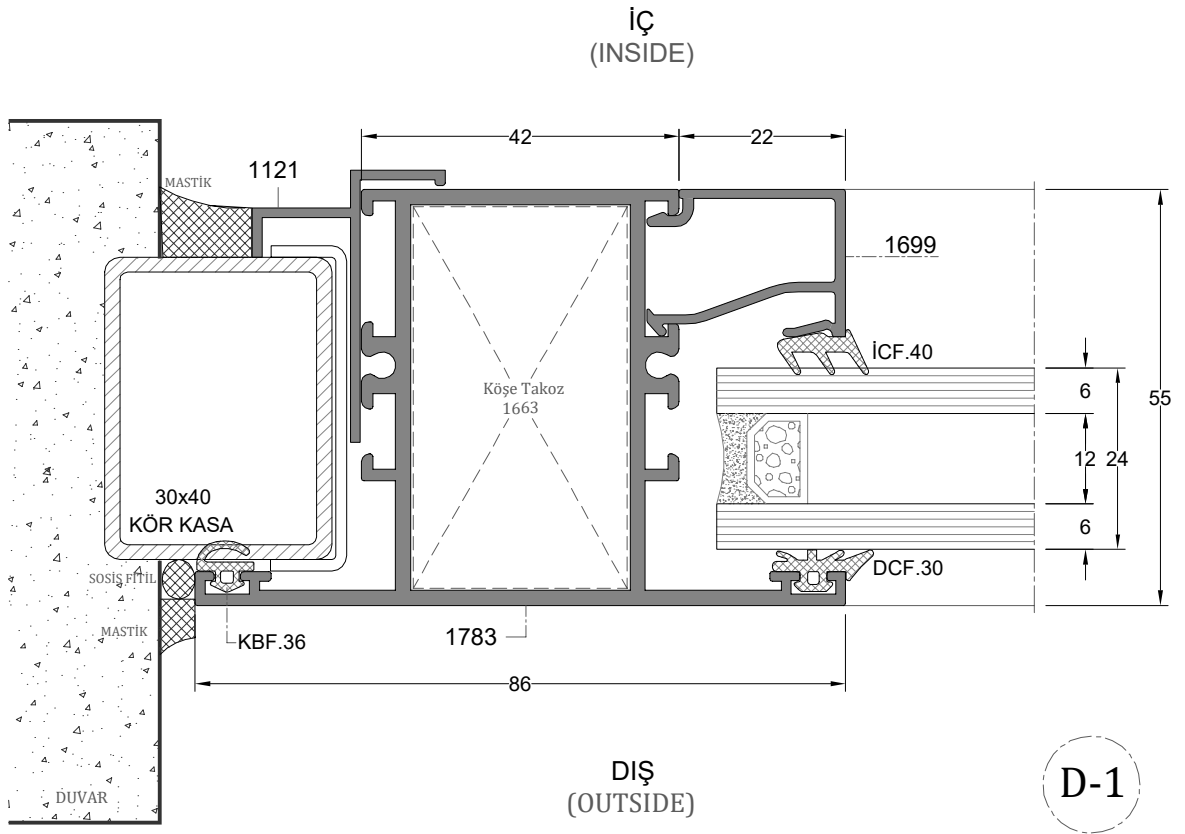
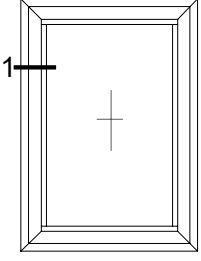
Köşe Takoza Profil Kodu Corner Wedge Profile Code	Kullanıldığı Profil Compatible Profile	Kesim Boyu (mm) Cutting Length (mm)
1667	1909	51,80 mm

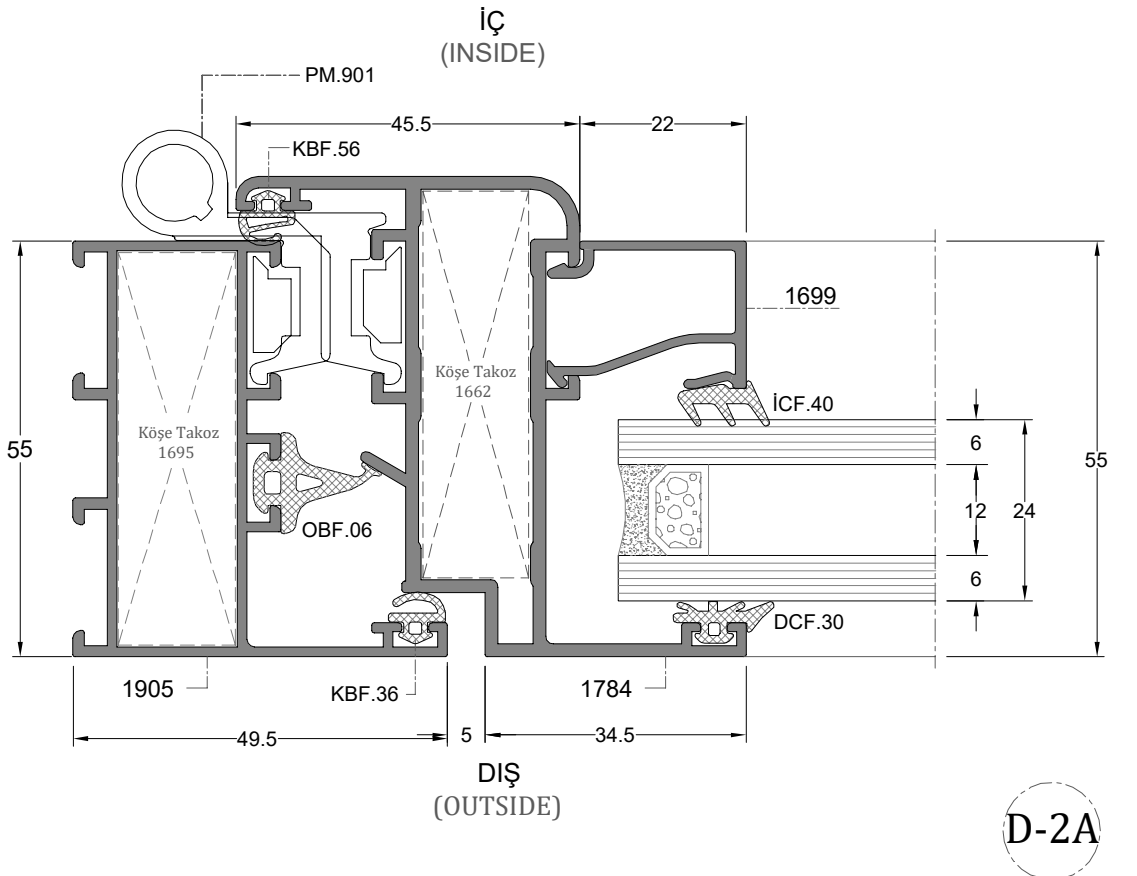
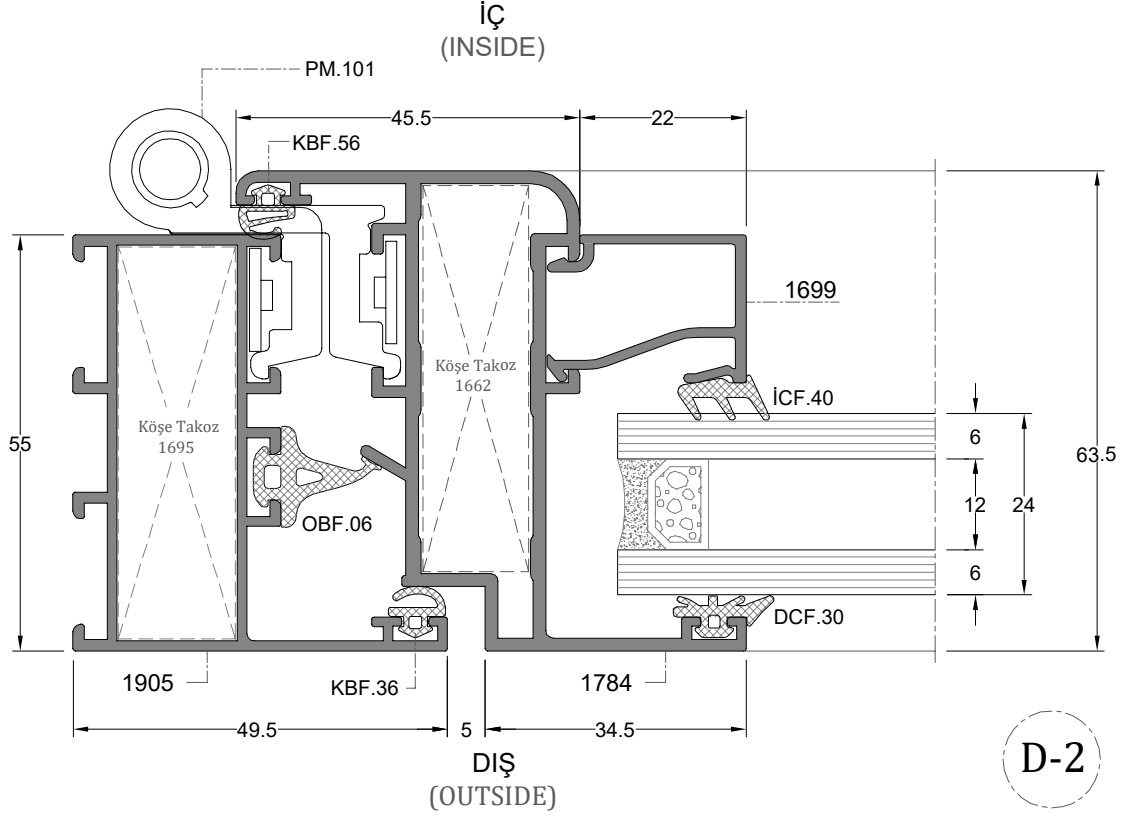
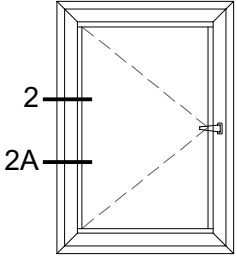


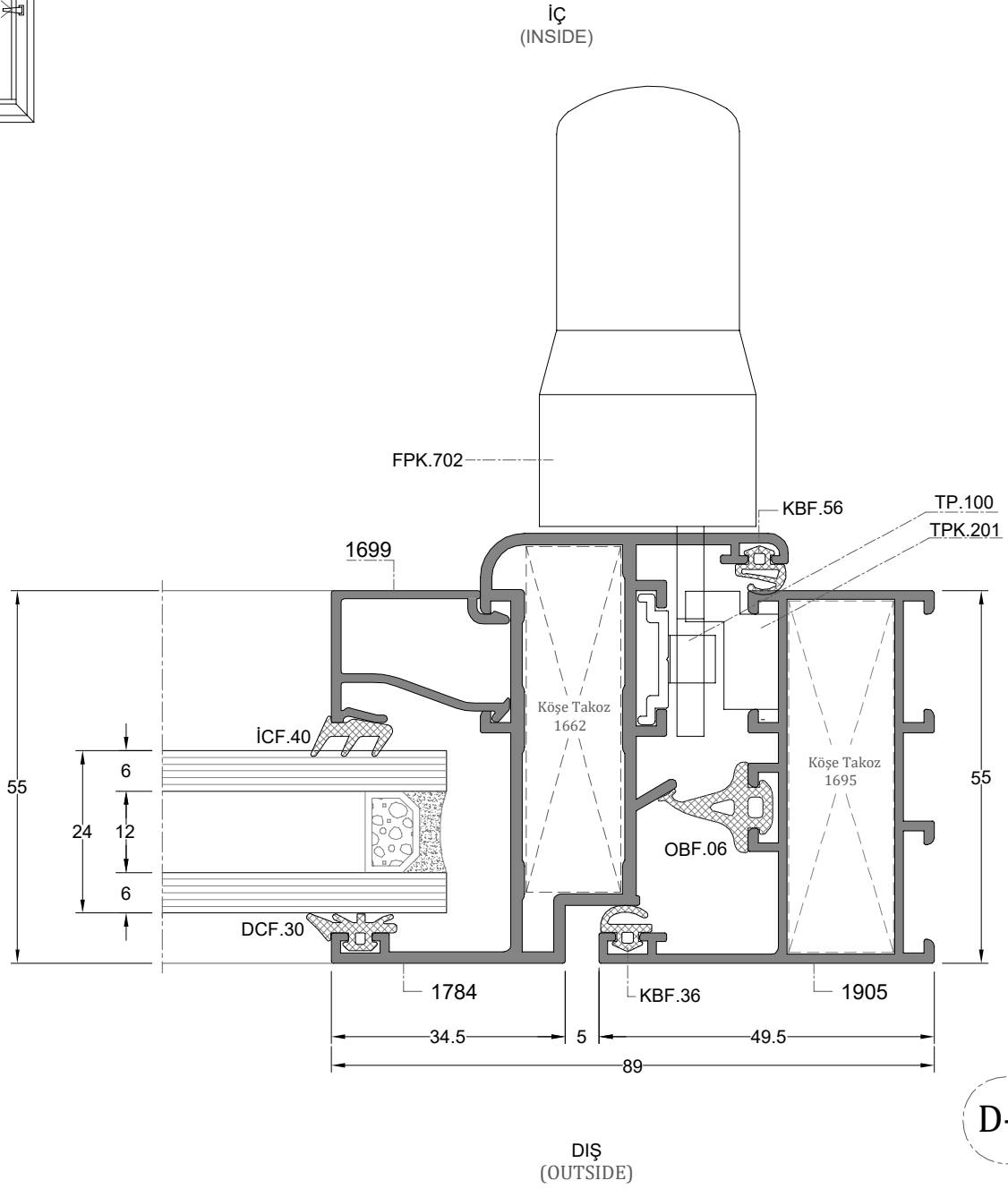
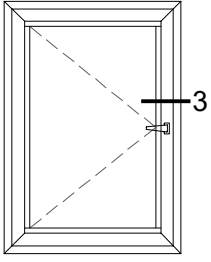
Köşe Takoza Profil Kodu Corner Wedge Profile Code	Kullanıldığı Profil Compatible Profile	Kesim Boyu (mm) Cutting Length (mm)
1398	1786	50,50 mm
	1787	50,50 mm
	1660	51,30 mm
	3943	51,30 mm

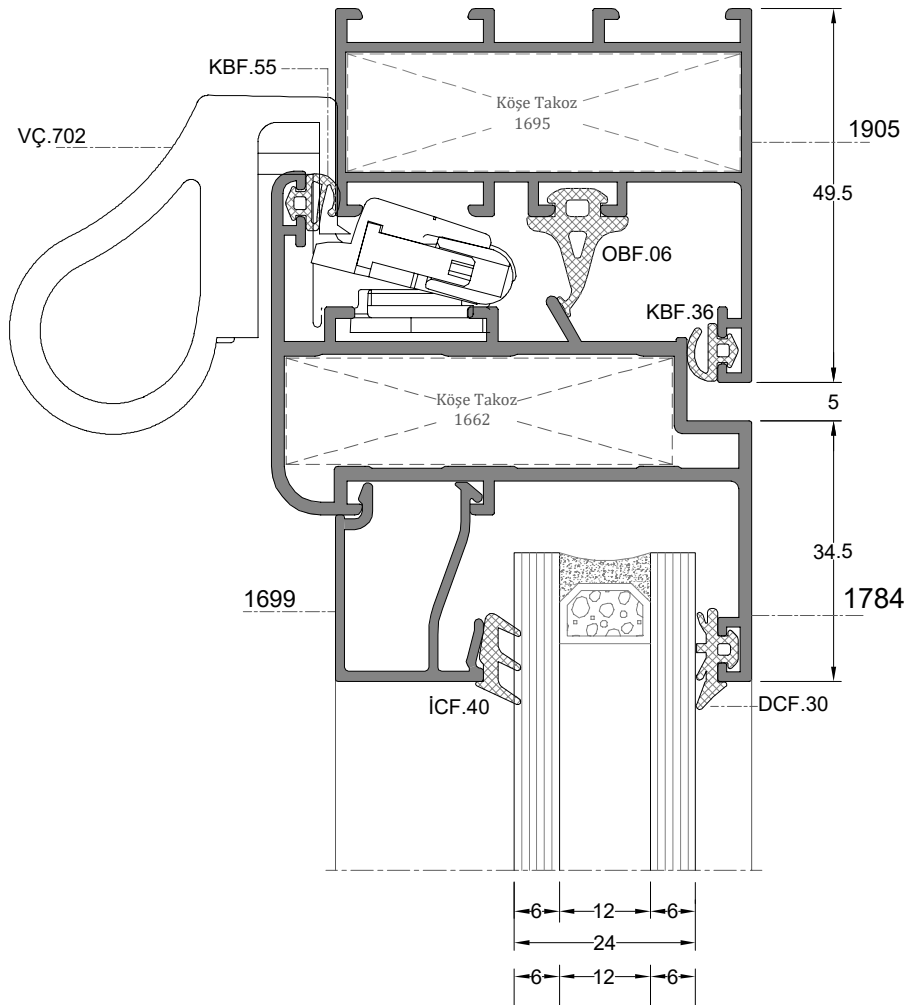
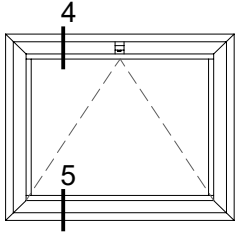


Köşe Takoza Profil Kodu Corner Wedge Profile Code	Kullanıldığı Profil Compatible Profile	Kesim Boyu (mm) Cutting Length (mm)
1903	1900	50,80 mm



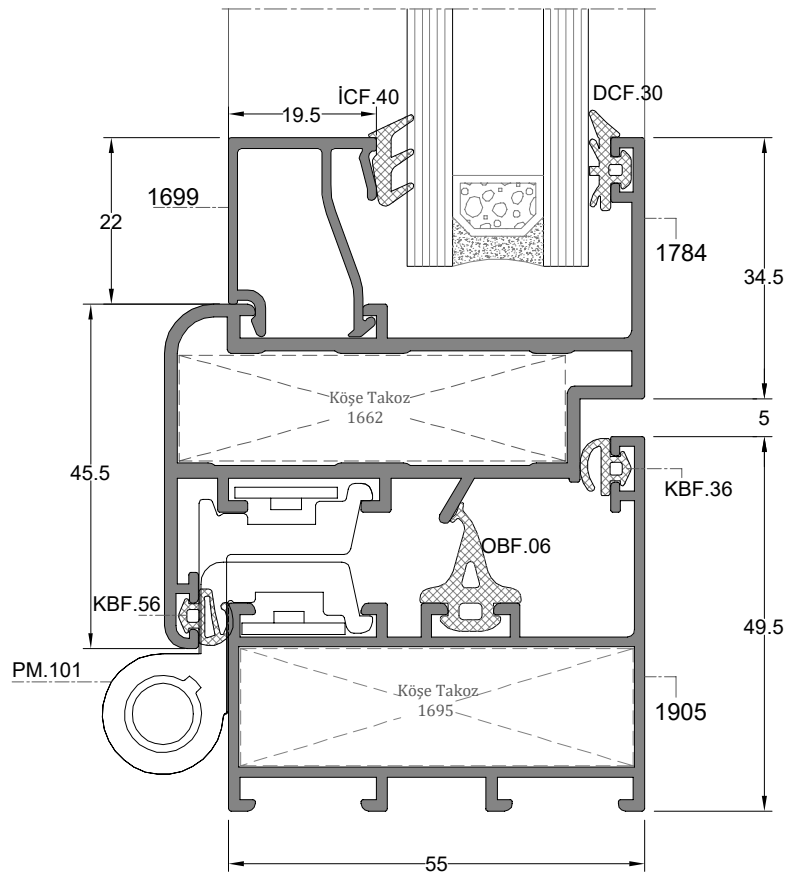




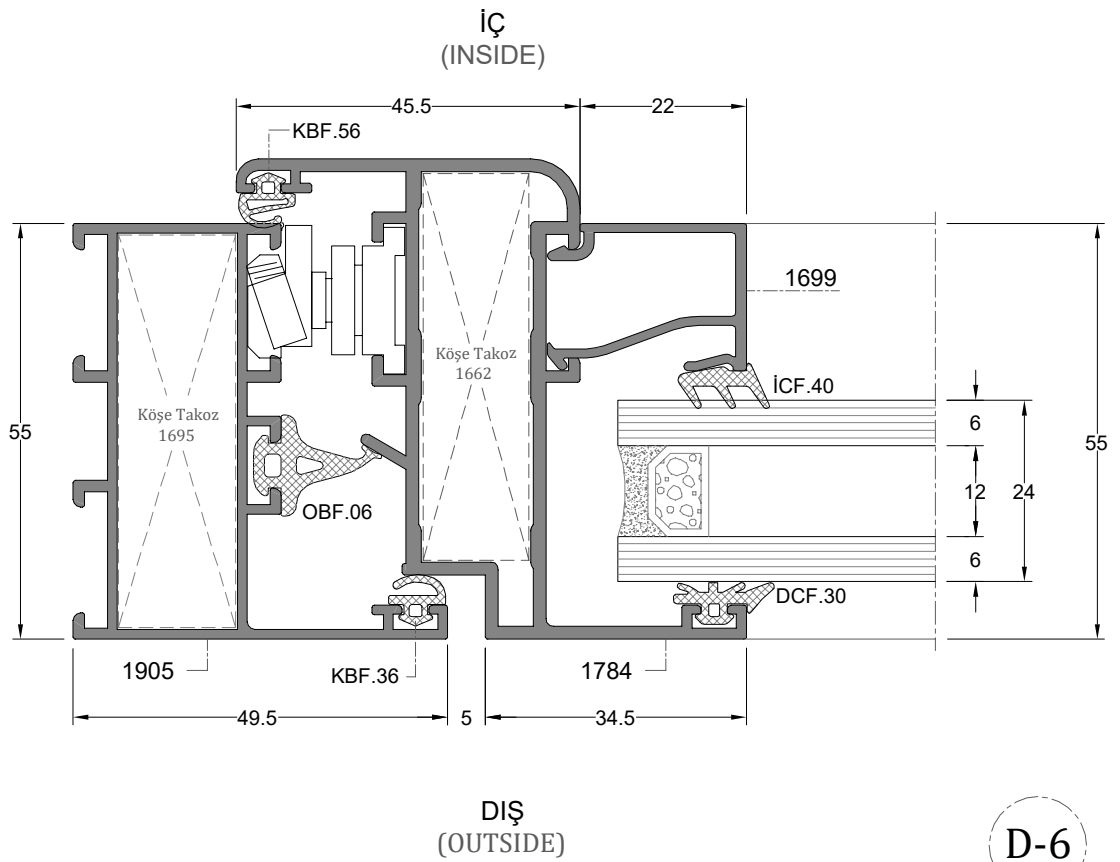
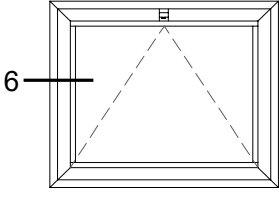


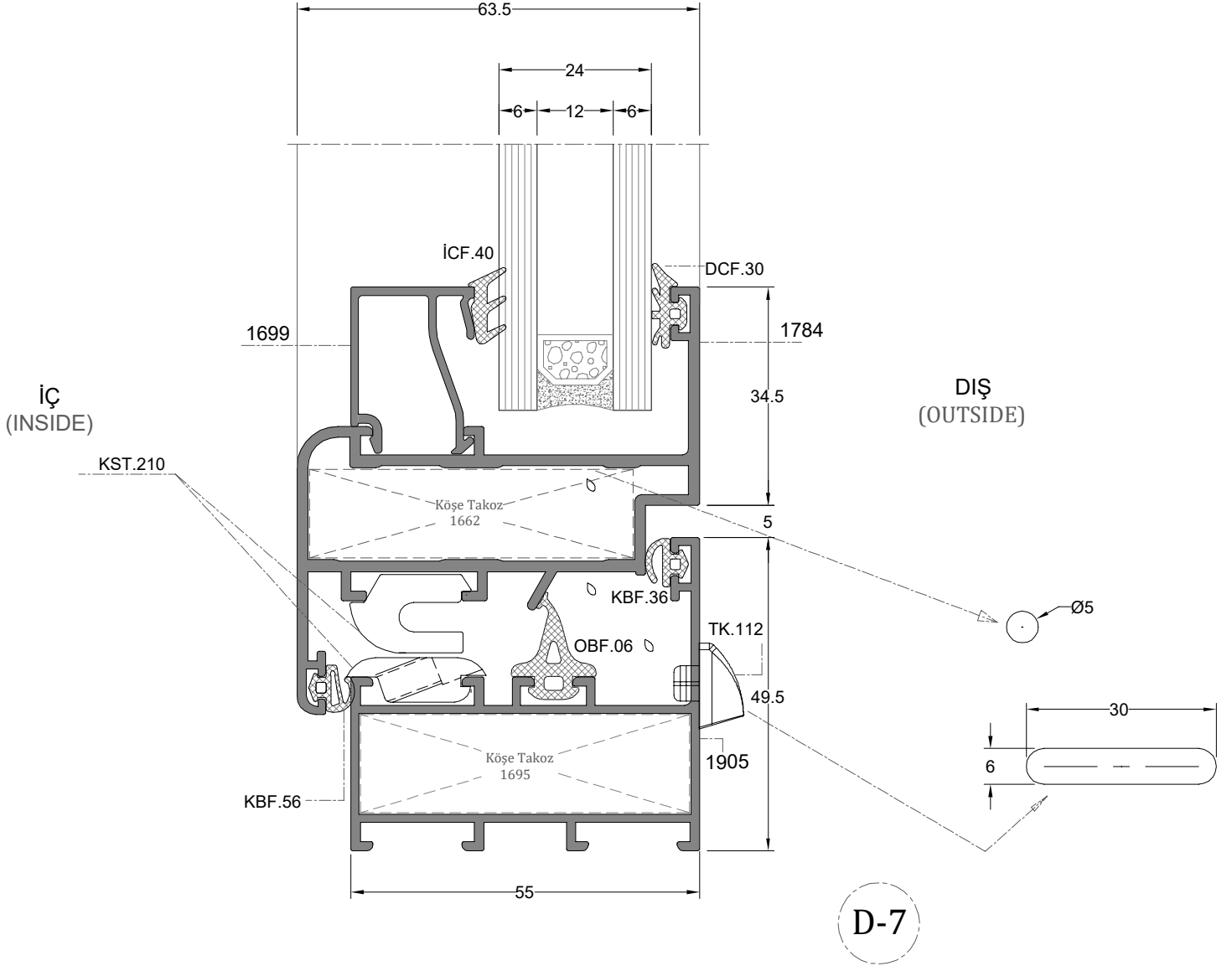
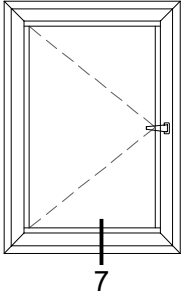
İÇ
(INSIDE)

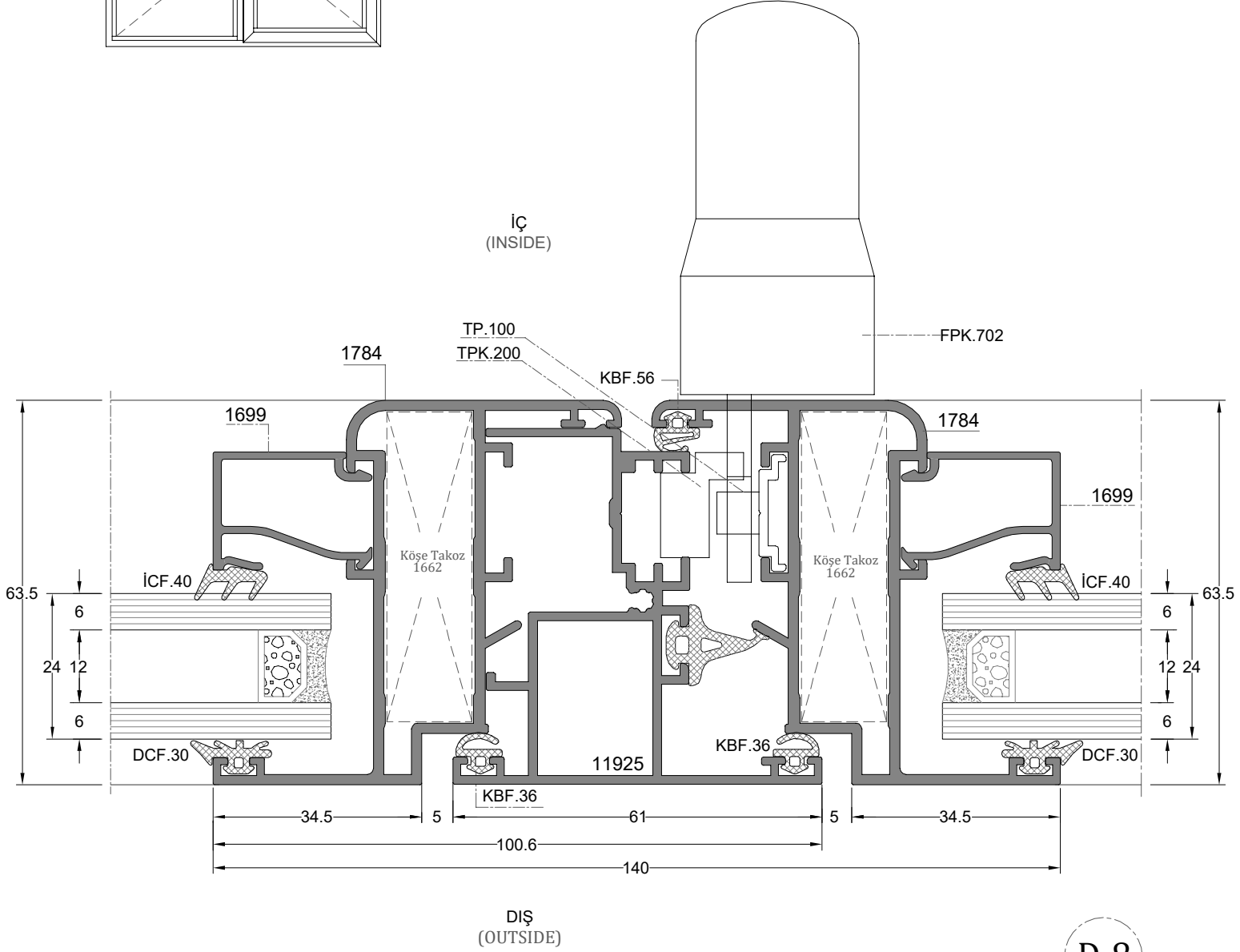
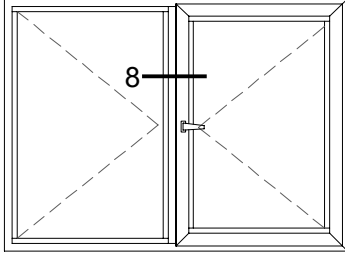
DIŞ
(OUTSIDE)

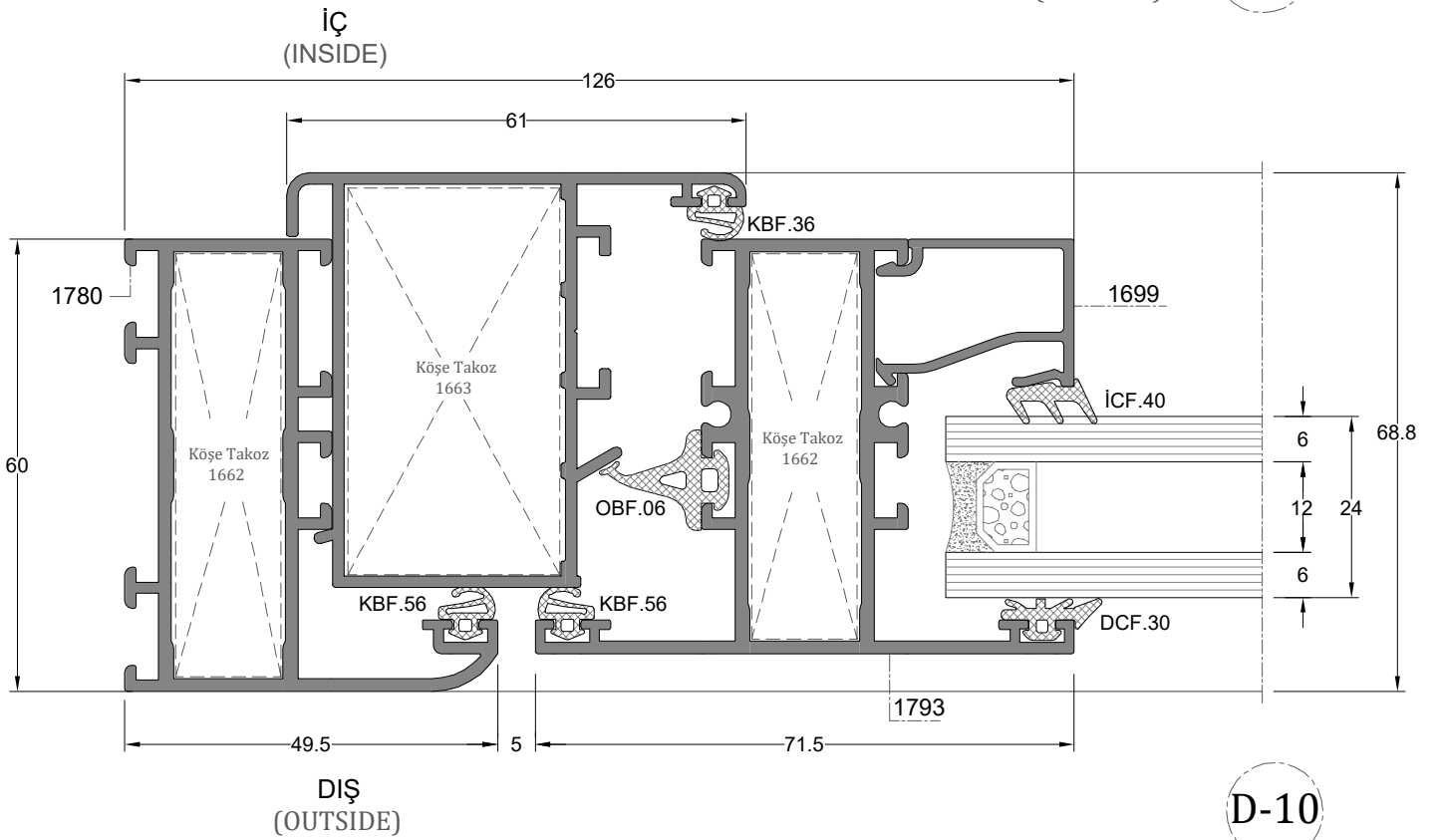
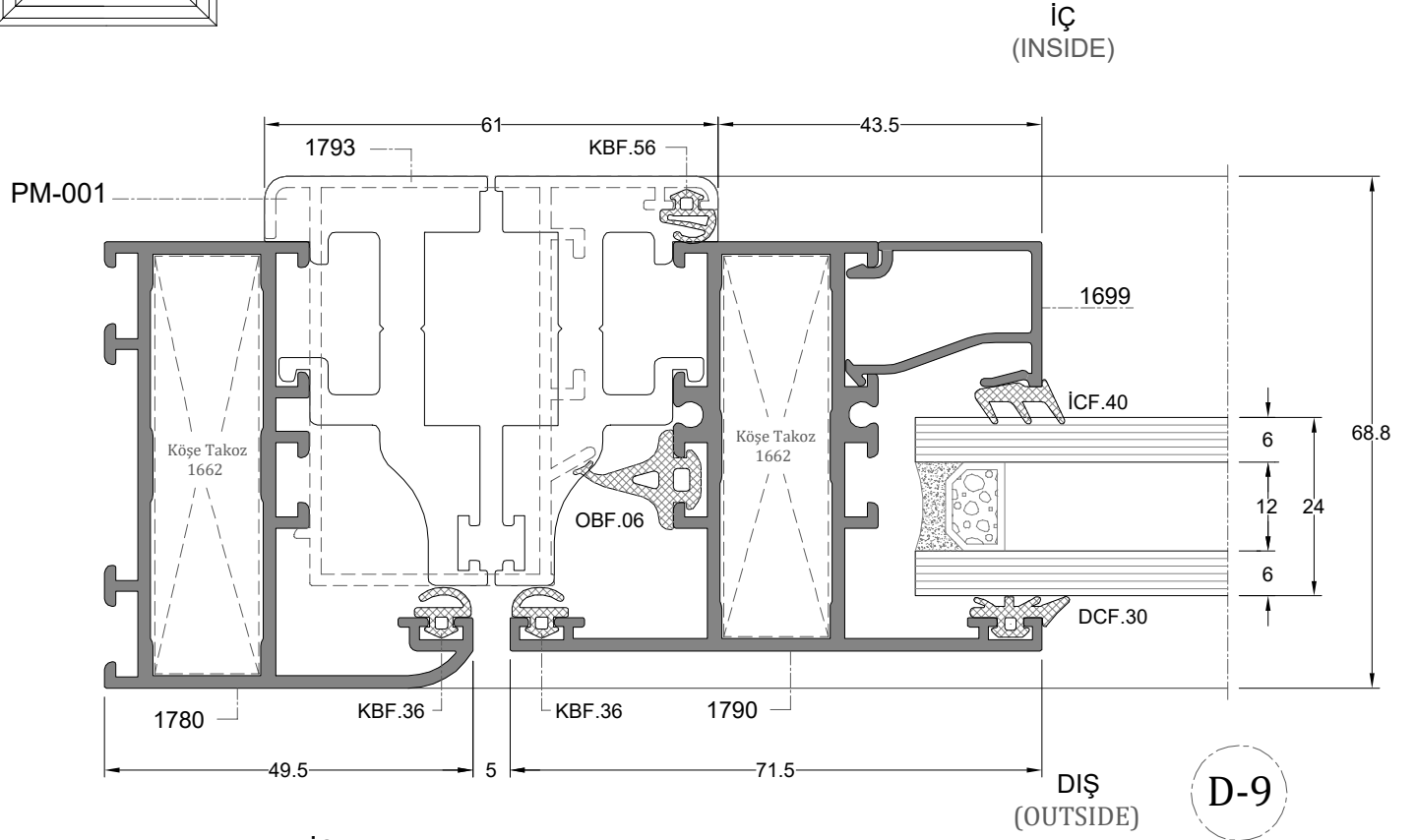
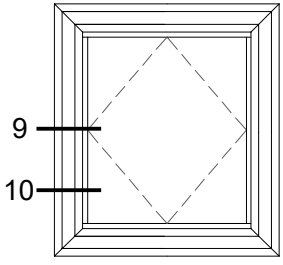


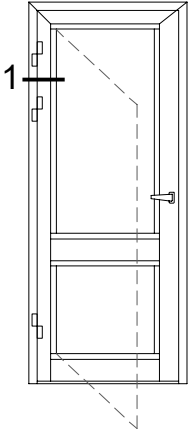
D-5





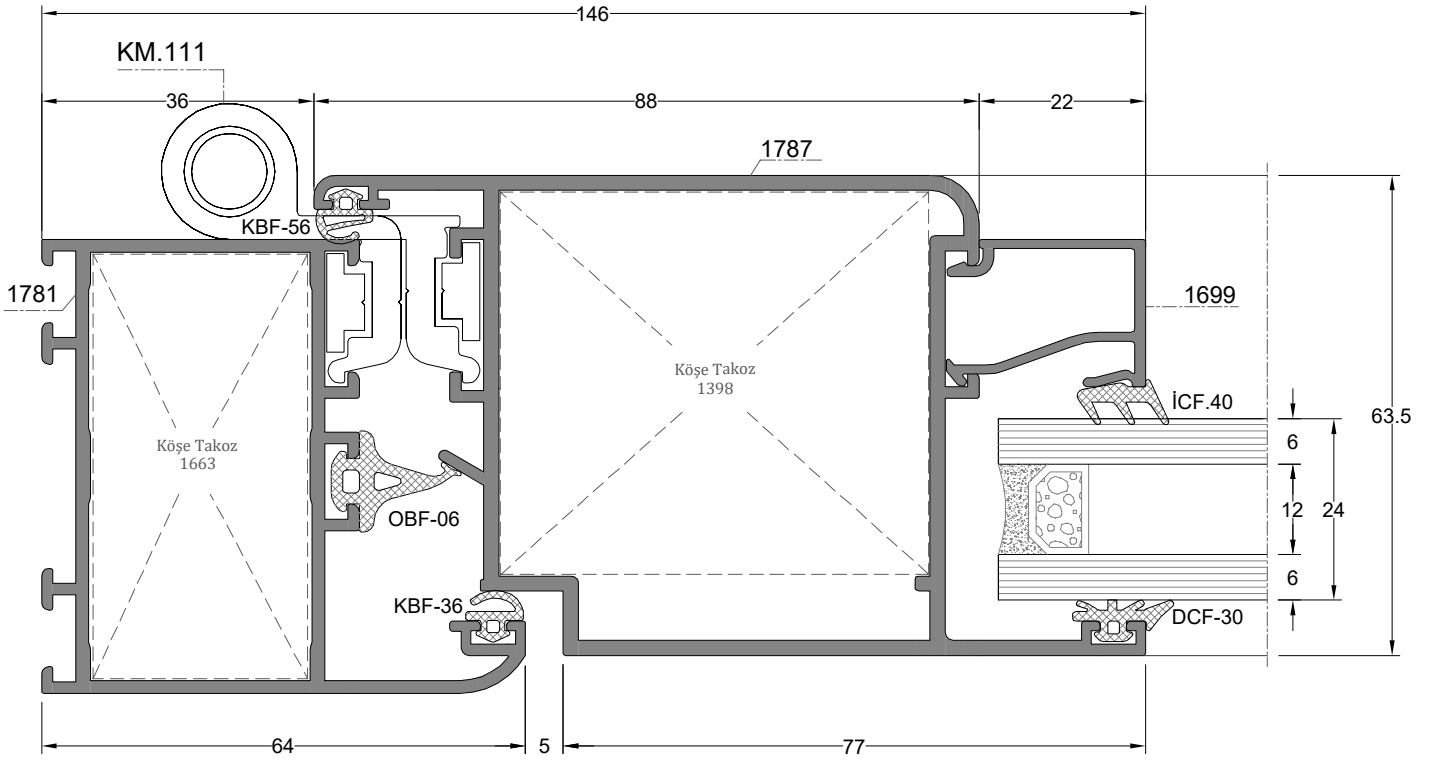






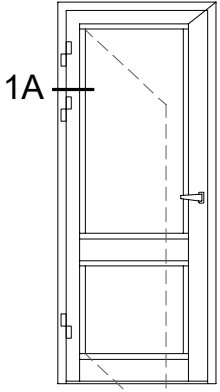
İÇE AÇILIR BİNLİ KAPI DETAY

İÇ
(INSIDE)



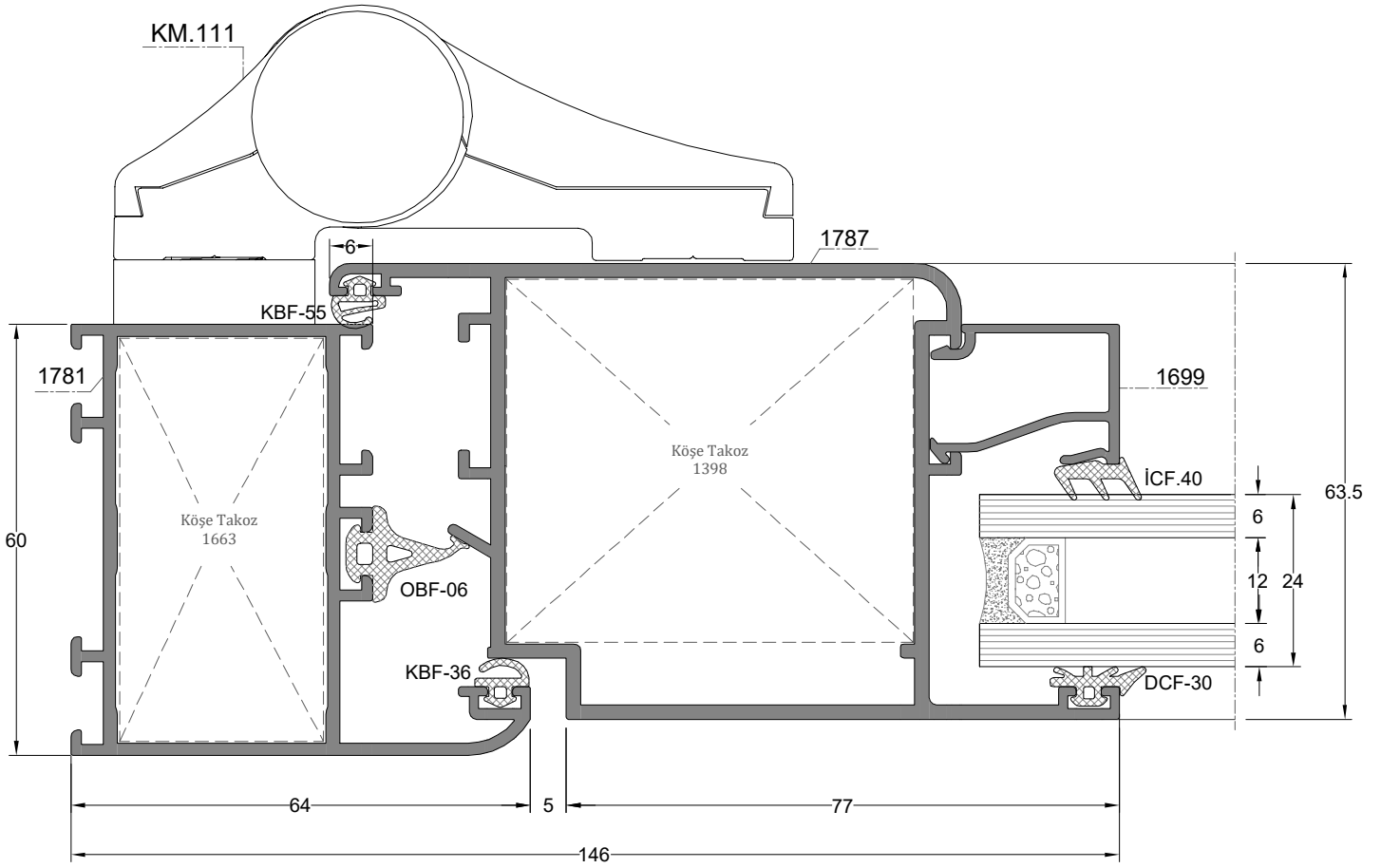
DIŞ
(OUTSIDE)

D-1



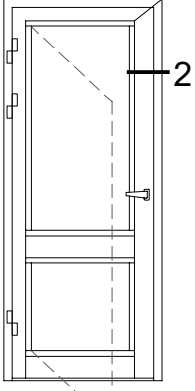
İÇE AÇILIR BİNLİ KAPI DETAY

İÇ
(INSIDE)

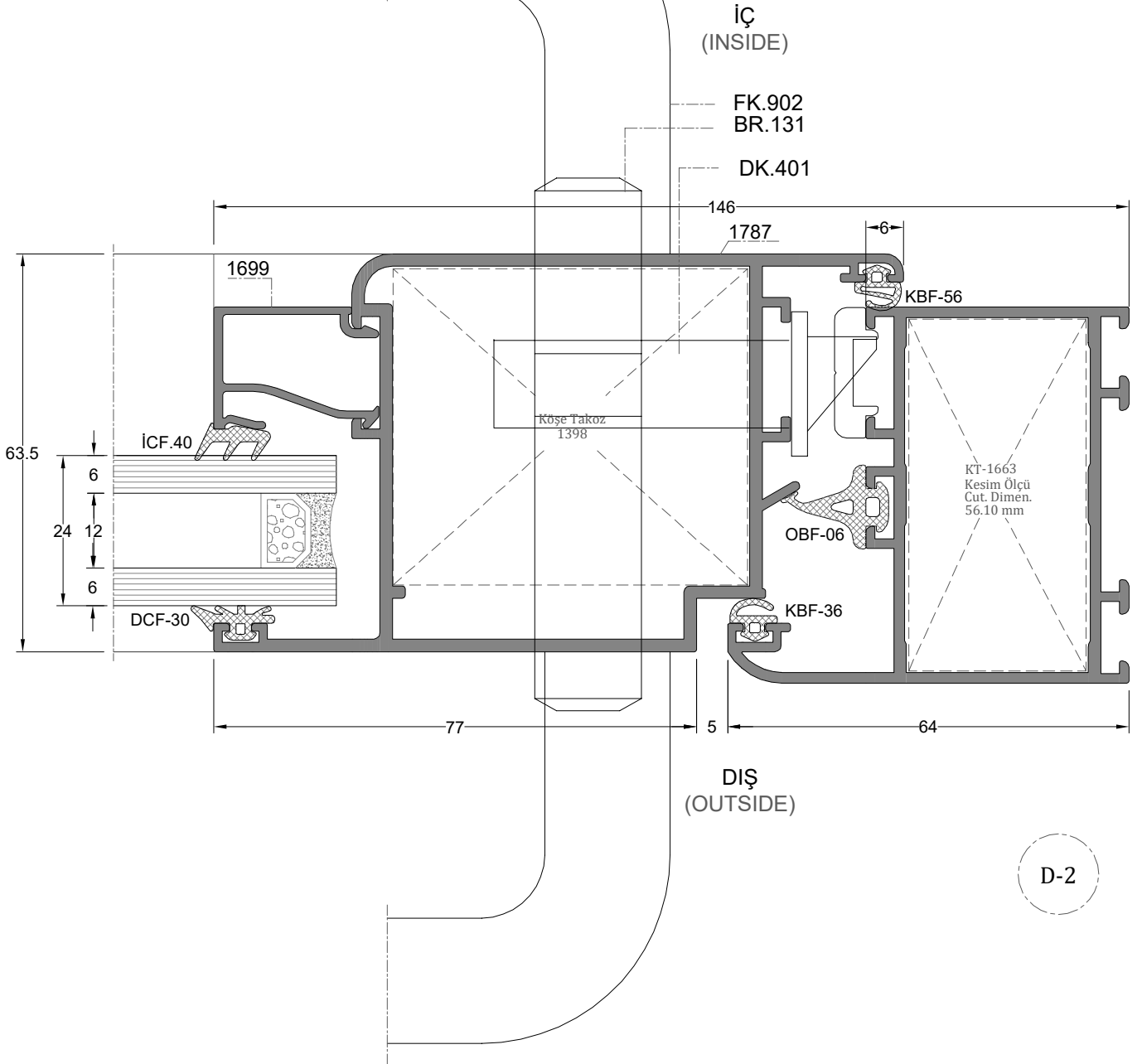


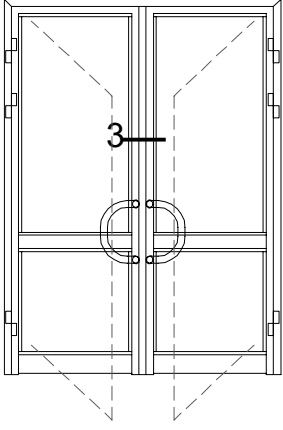
DIŞ
(OUTSIDE)

D-1A

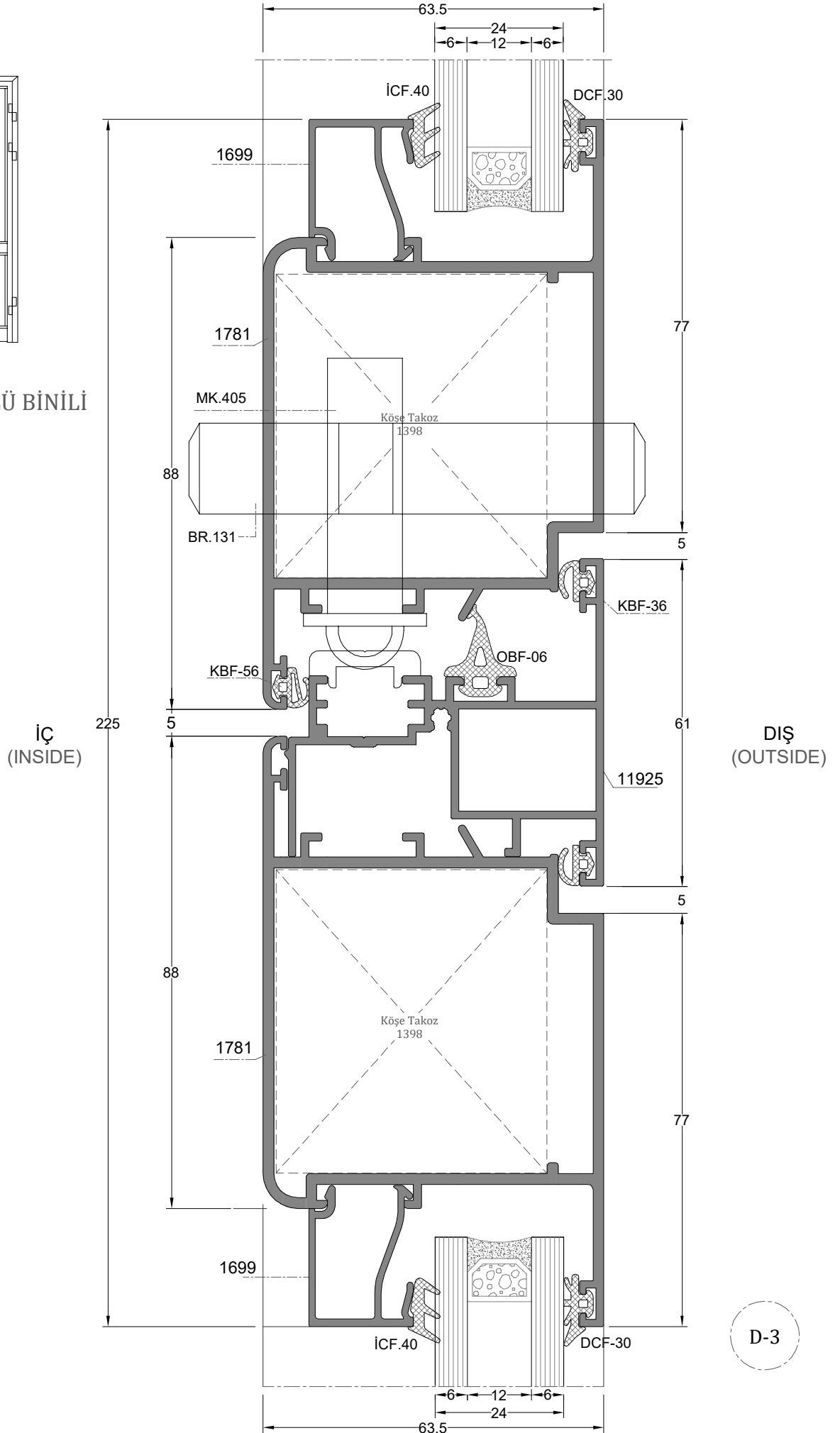


İÇE AÇILIR BİNLİ KAPI DETAY

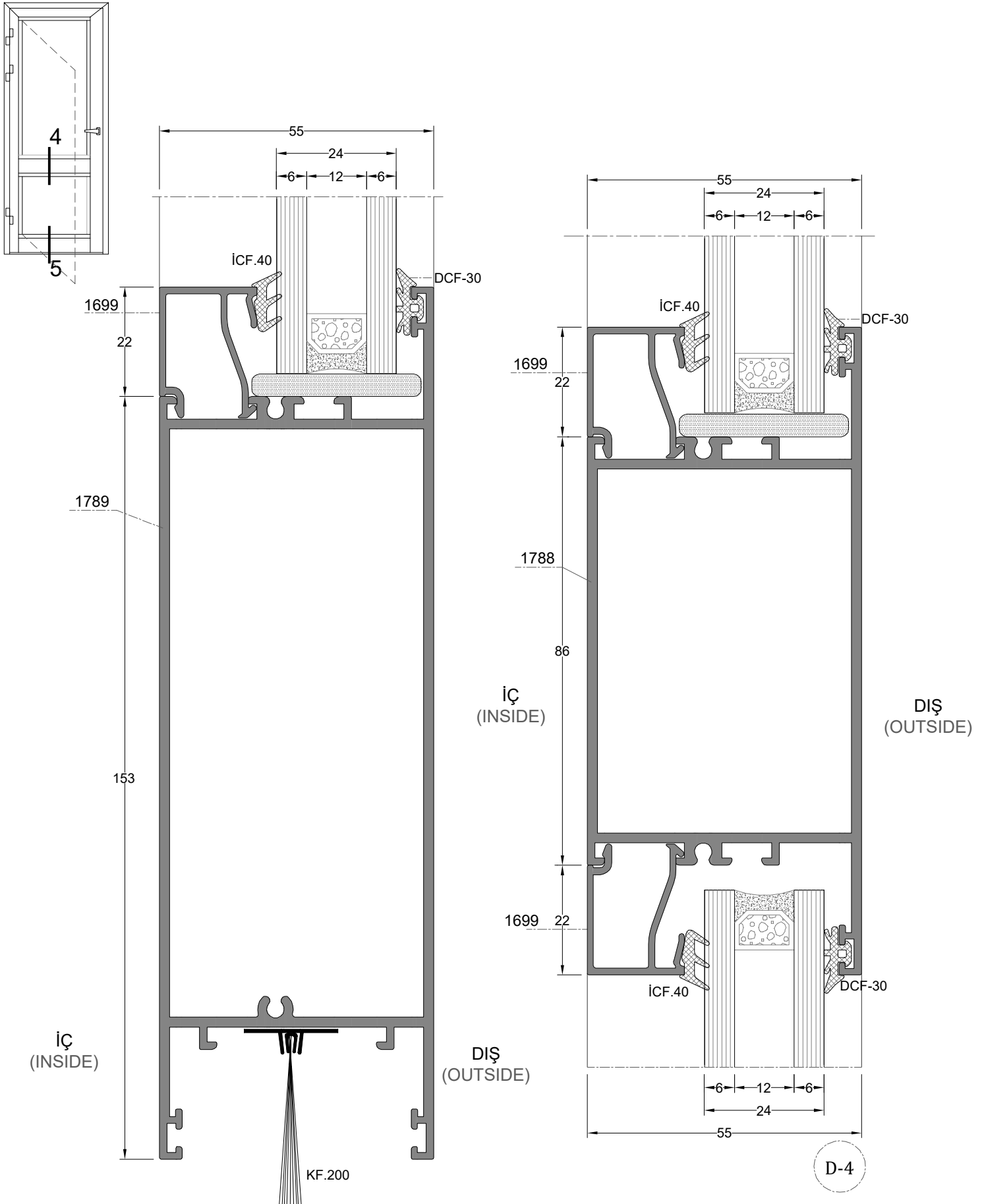




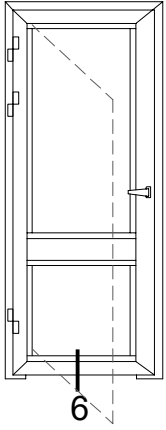
İÇE AÇILIR ADAPTÖRLÜ BİNLİ KAPI DETAY



D-3



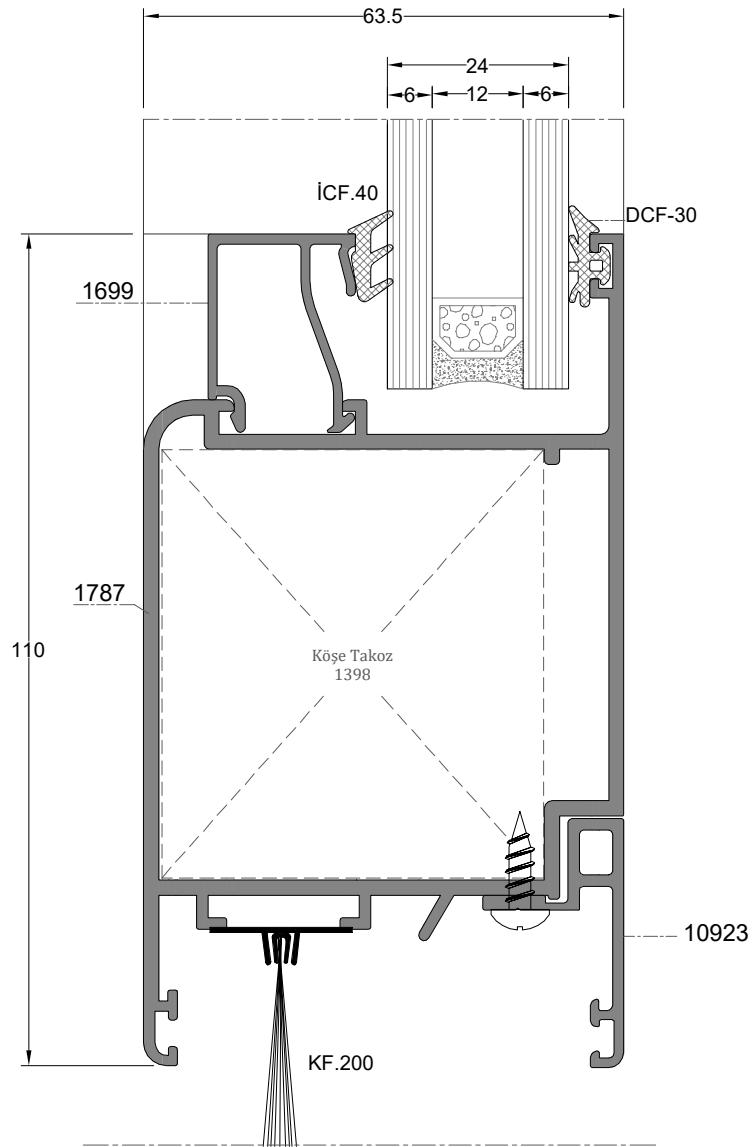
D-5



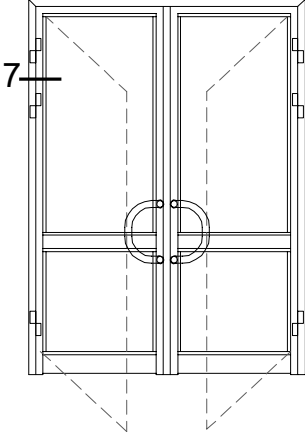
**BİNLİ ALTERNATİF KAPI ETEK
DETAYLARI**

İÇ
(INSIDE)

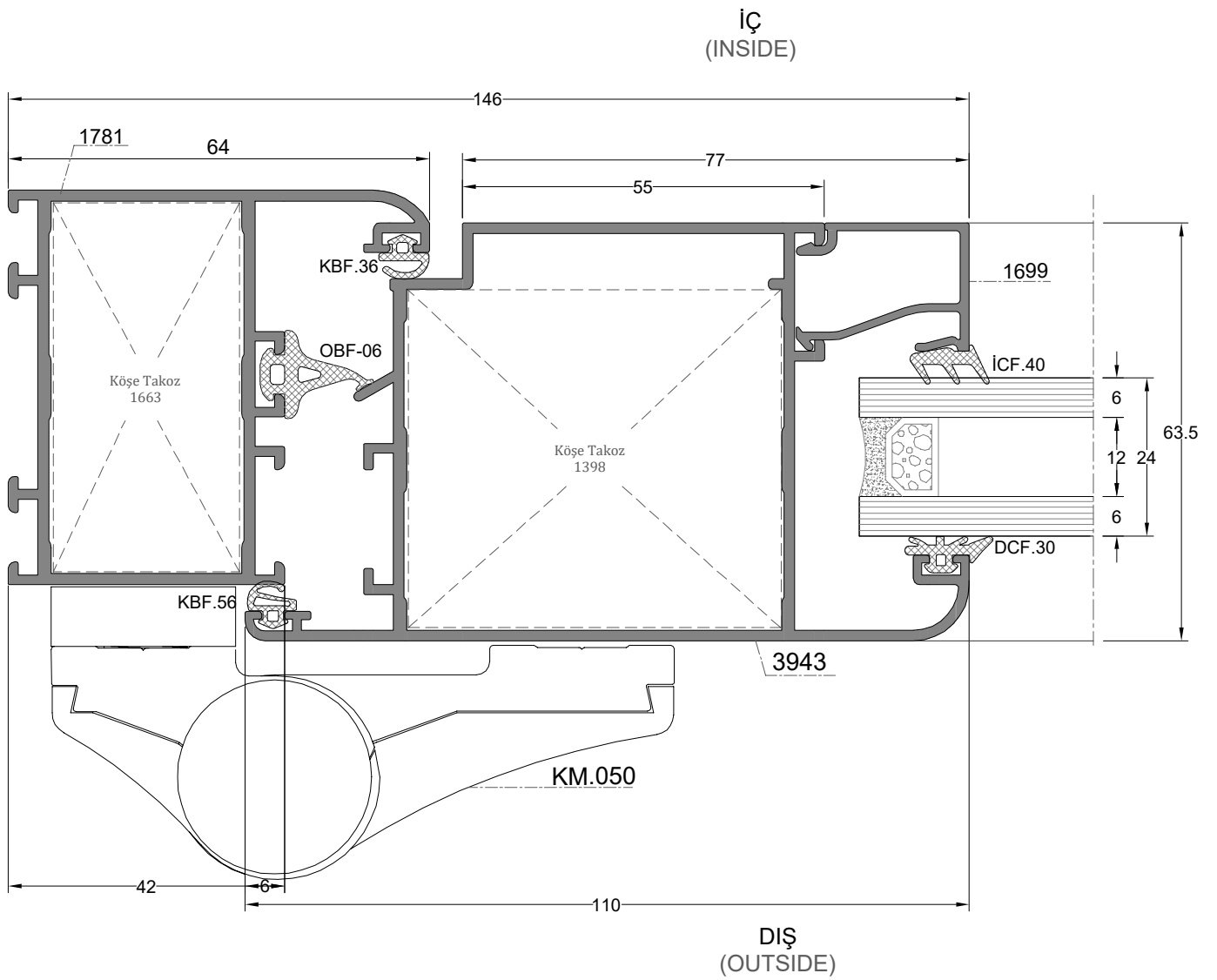
DIŞ
(OUTSIDE)



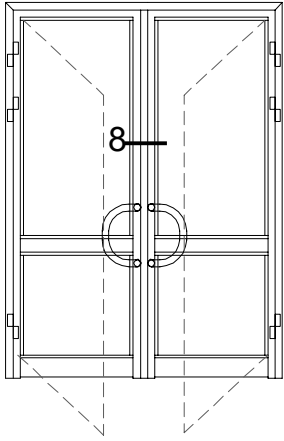
D-6



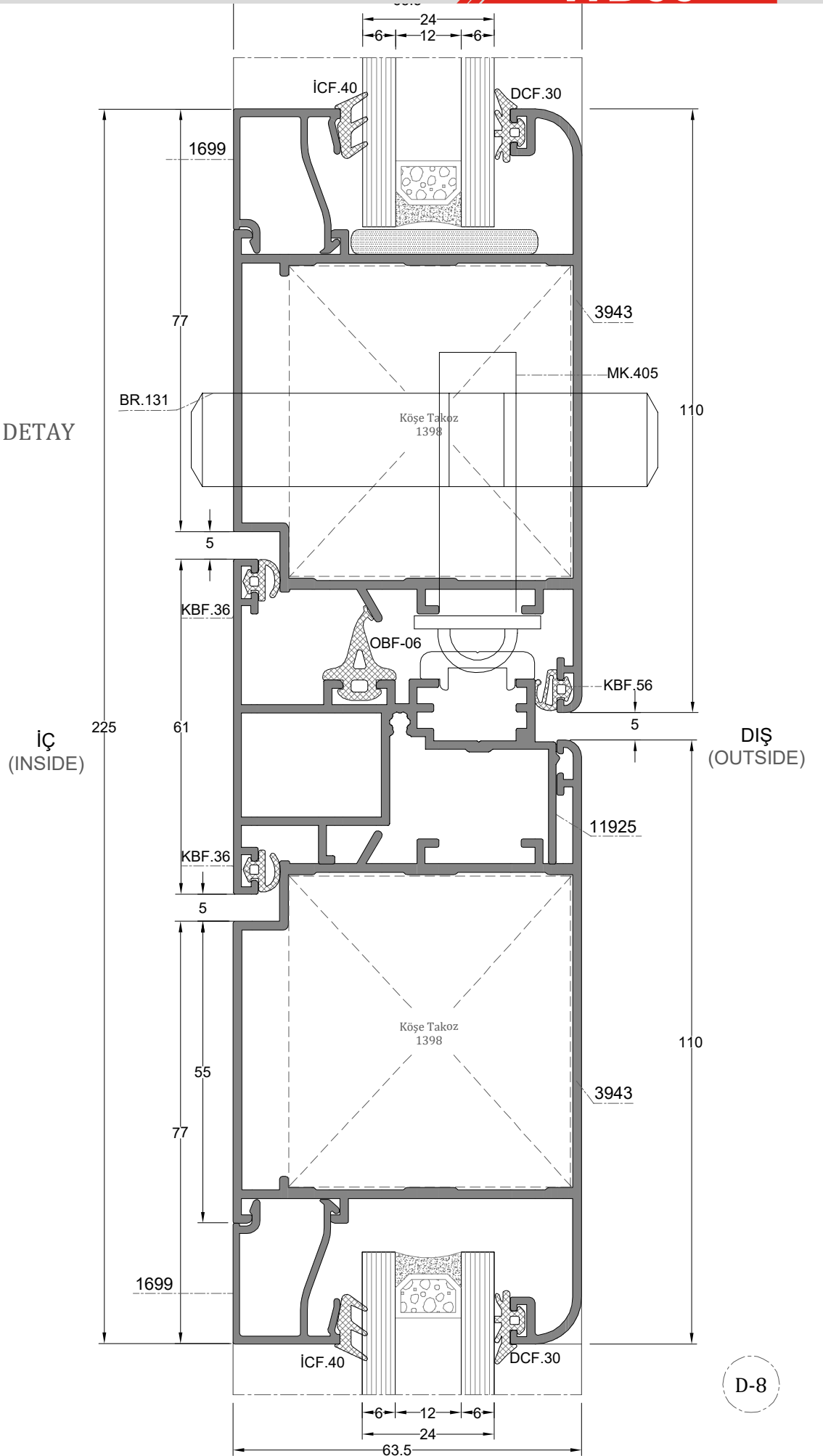
BİNİLİ DIŞA AÇILIR KAPI DETAY



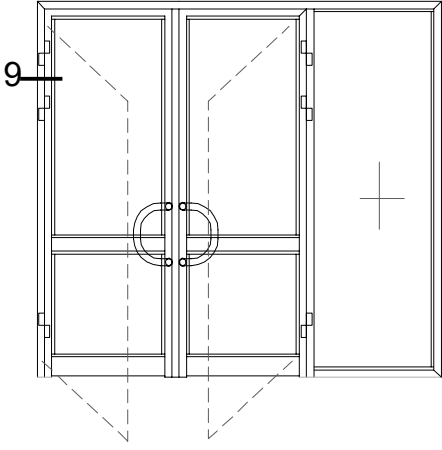
D-7



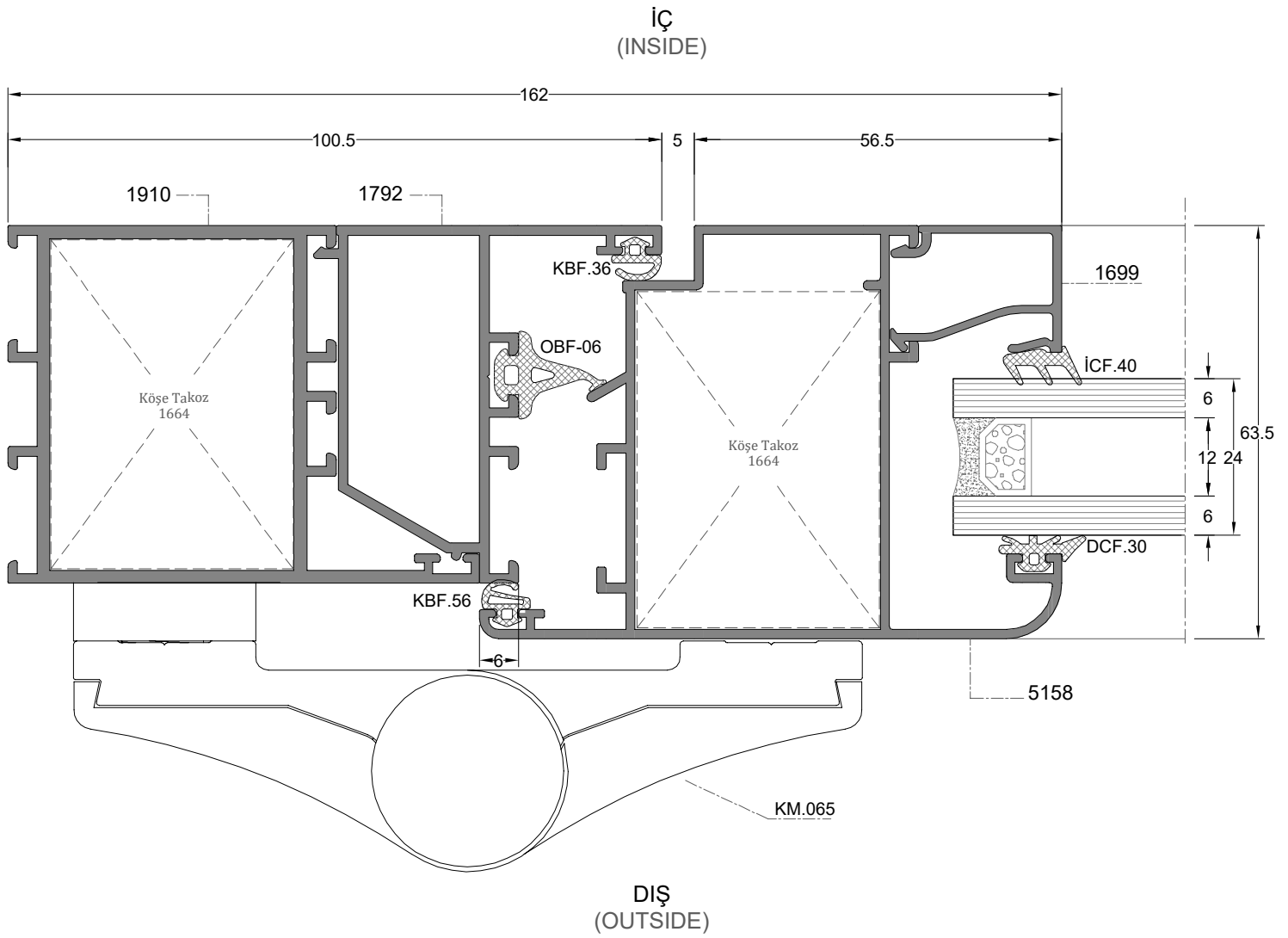
BİNİLİ DIŞA AÇILIR KAPI DETAY

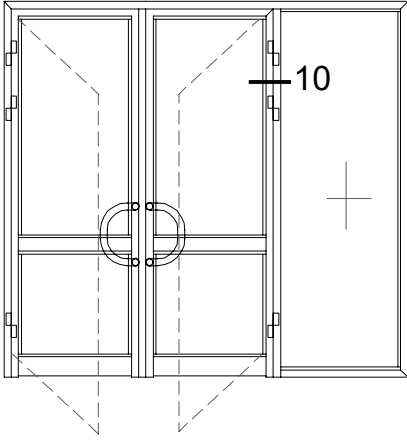


D-8



BİNİLİ DIŞA AÇILIR KAPI DETAY

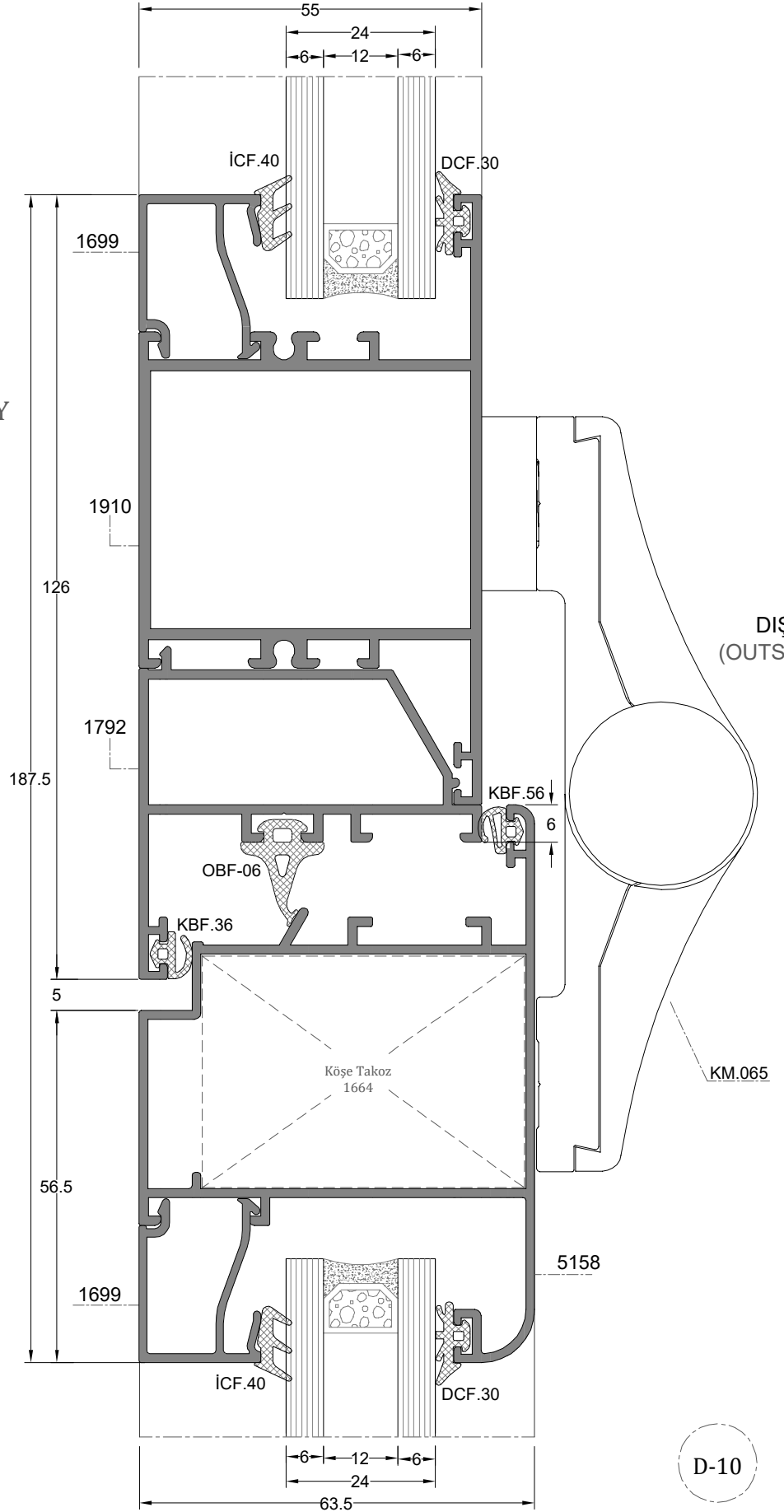


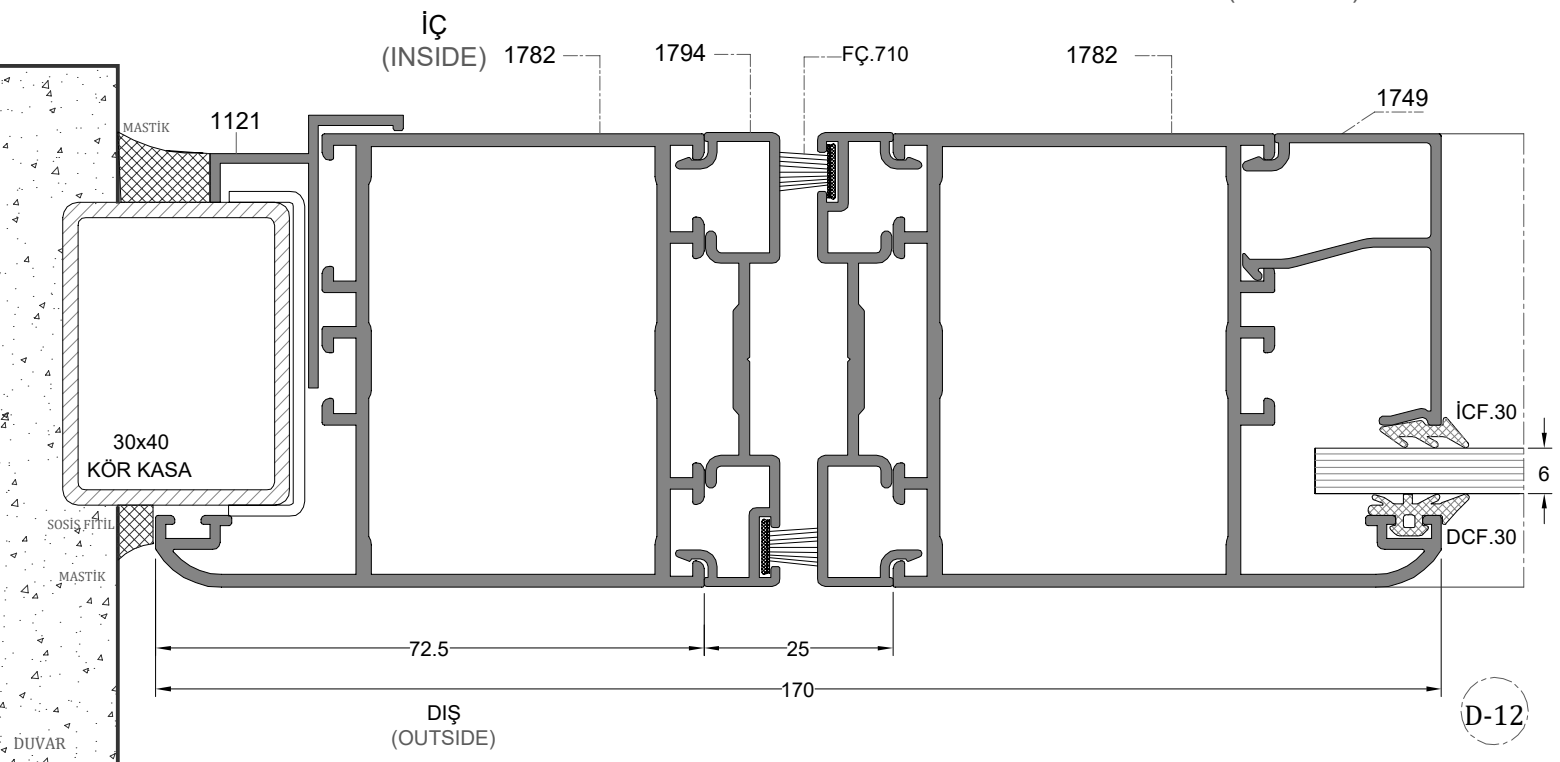
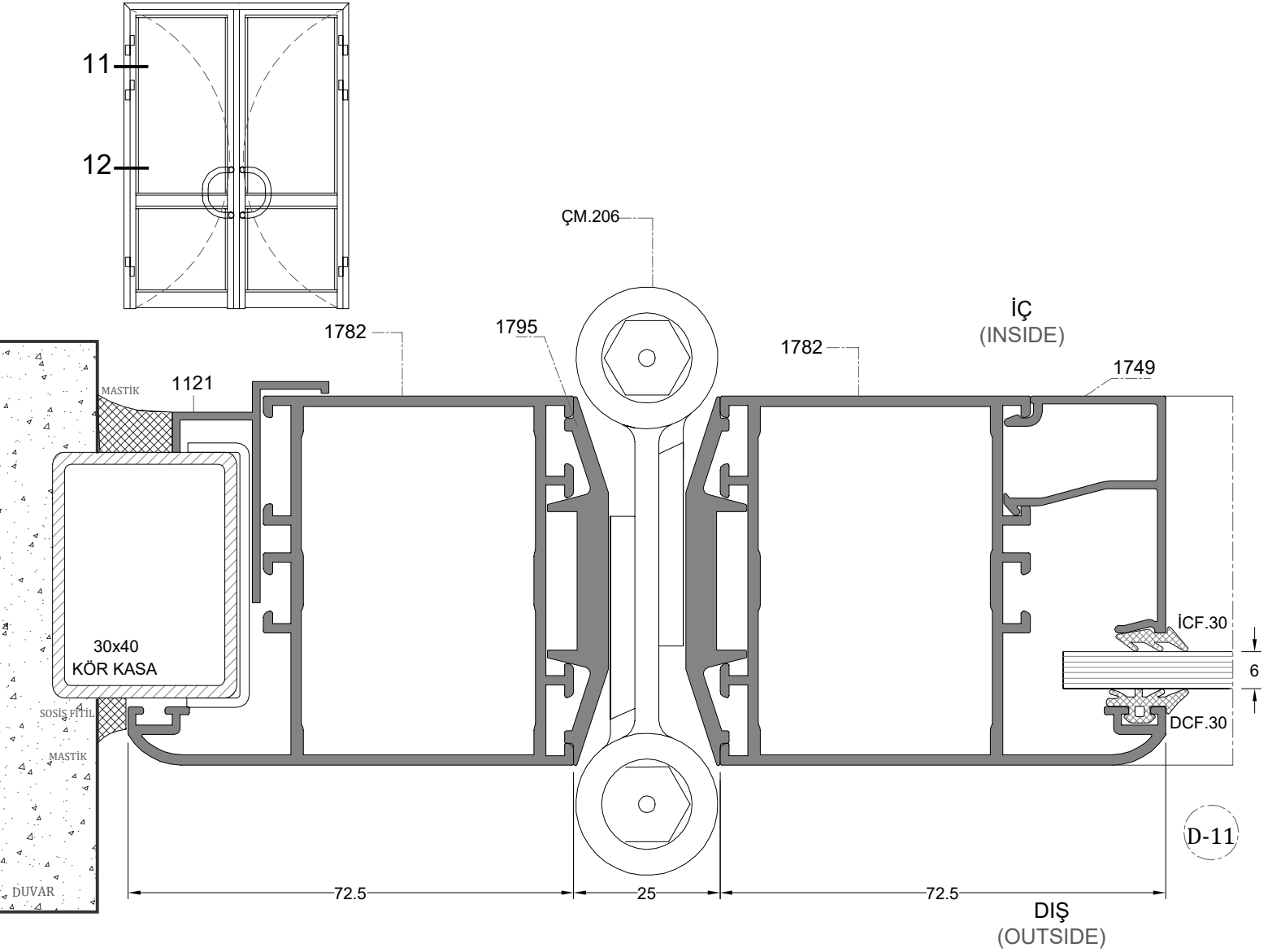


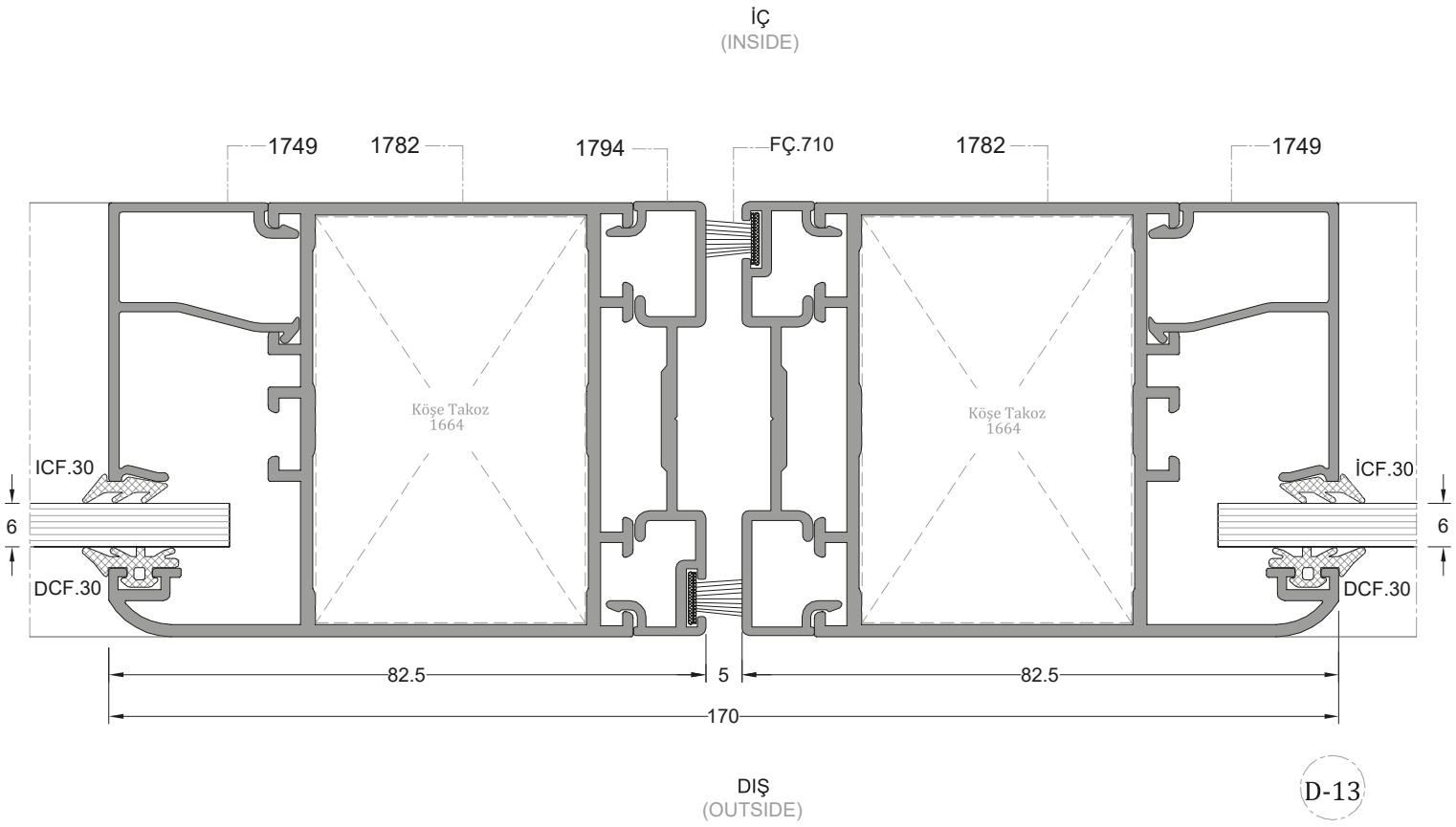
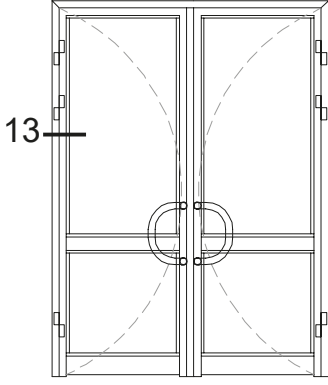
BİNİLİ DIŞA AÇILIR KAPI DETAY

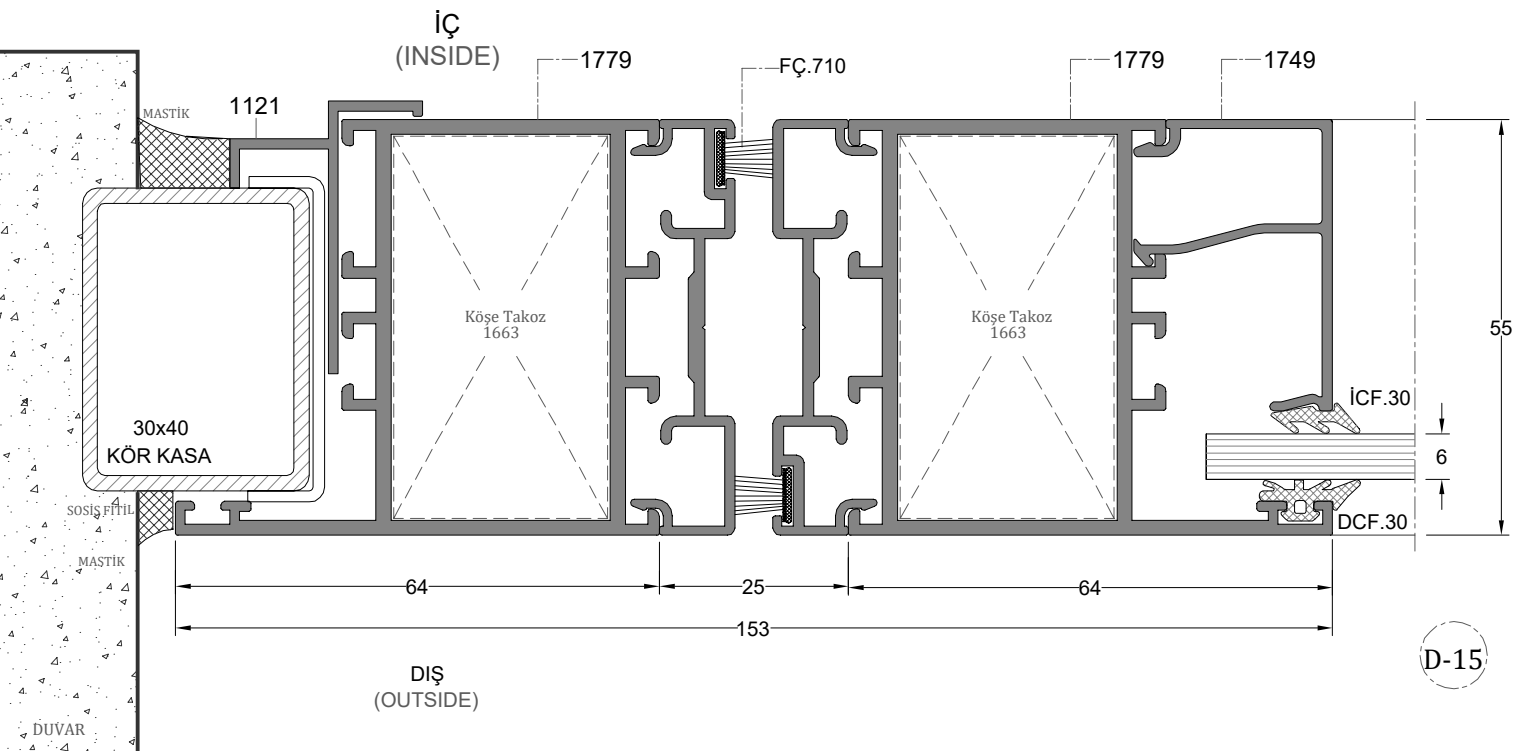
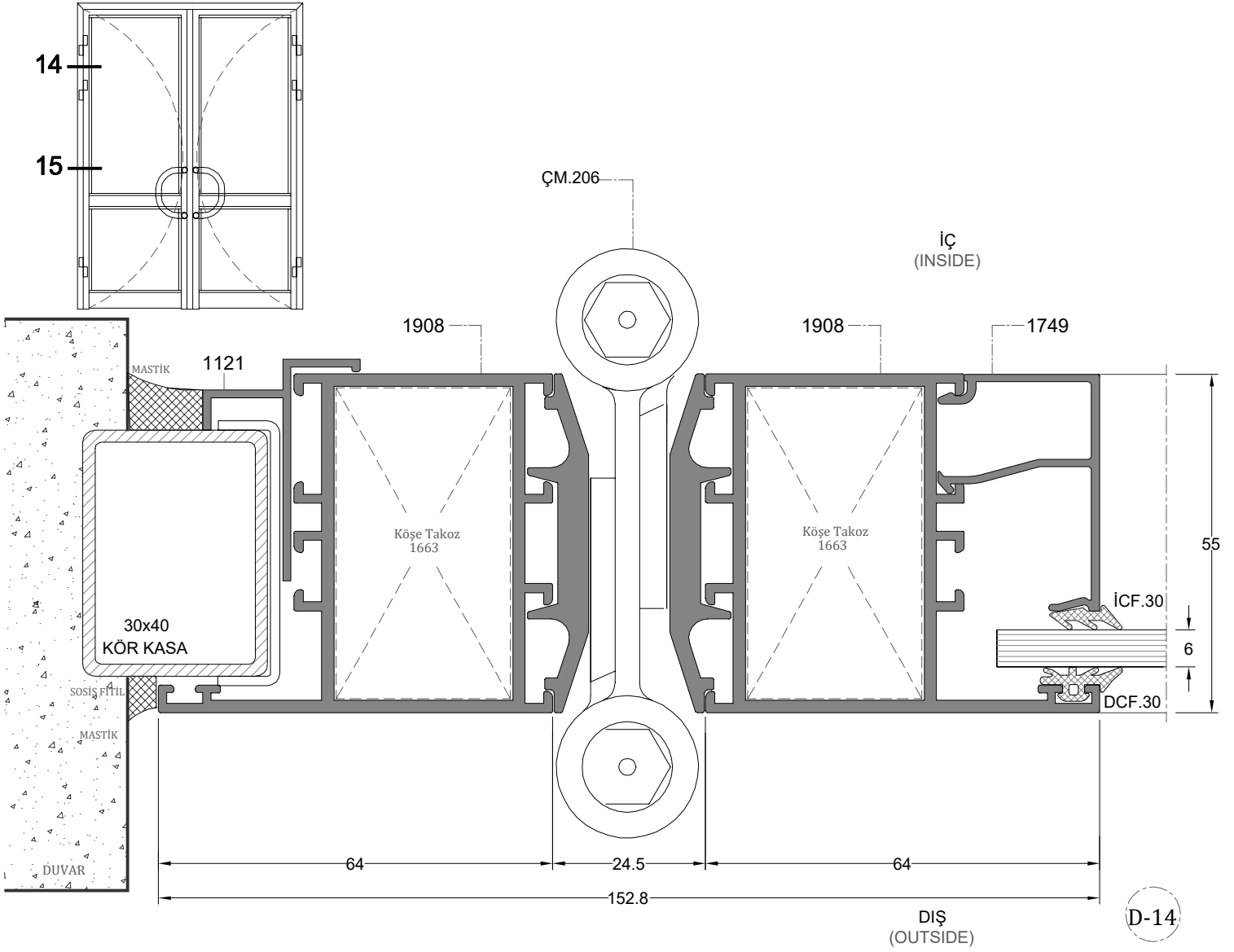
İÇ
(INSIDE)

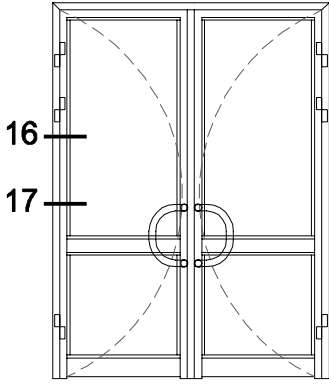
DIŞ
(OUTSIDE)



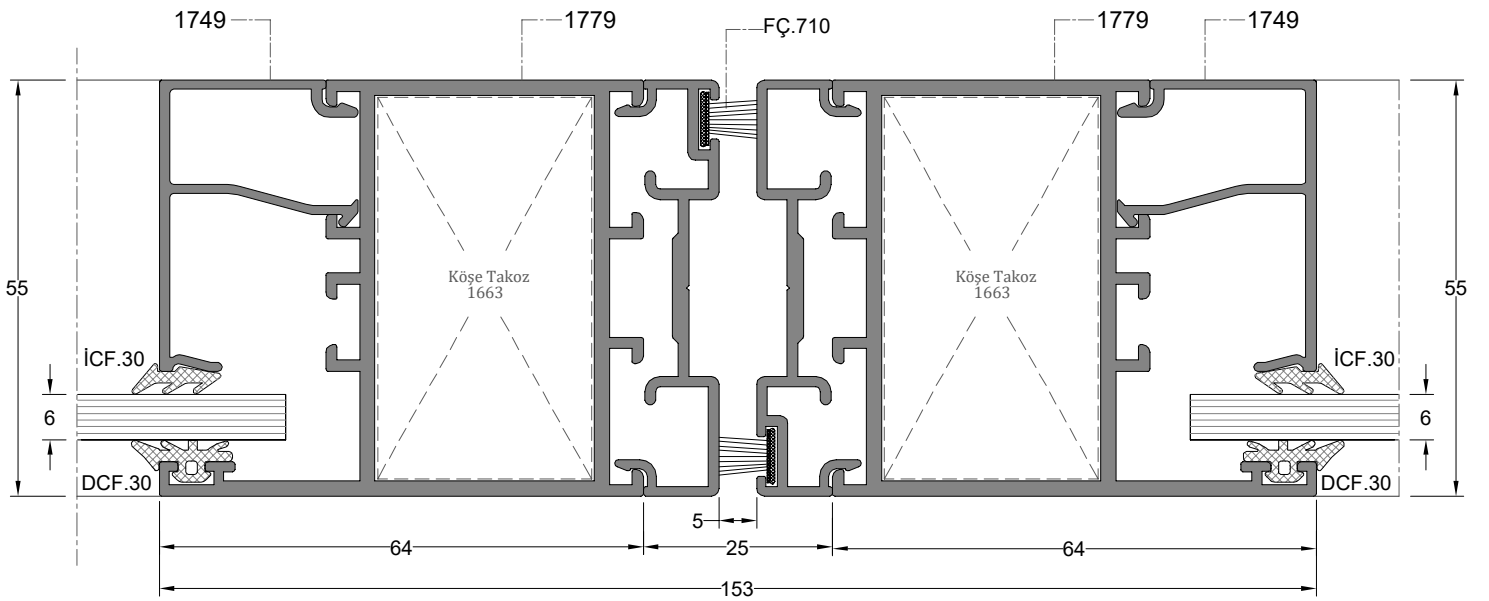








İÇ
(INSIDE)



DIŞ
(OUTSIDE)

D-16

