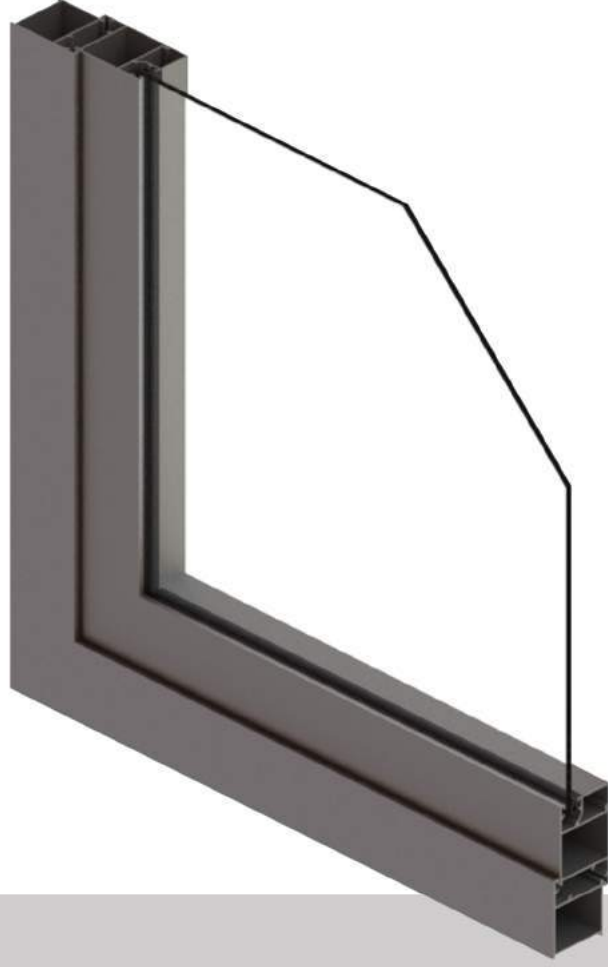


Kapı ve Pencere Sistemi
Door and Window System



ALDOKS

Kapı ve Pencere Sistem
Door and Window System

Aldoks Kapı ve Pencere Sistemi

Aldoks Door and Window System

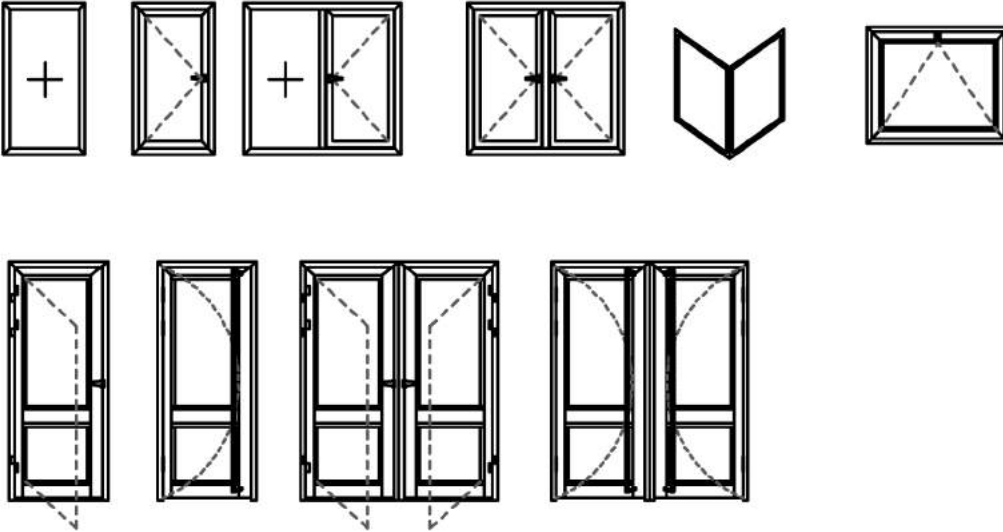
TEKNİK ÖZELLİKLER / TECHNICAL PROPERTIES


Kasa Derinliği / Frame Depth	45.5 mm
Kanat Derinliği / Sash Depth	45.5 mm
Profil Et Kalınlığı / Profile Wall Thickness	1,1 – 1,2 – 1,4 – 1,5 – 2 mm
Cam Kalınlığı / Glazing Thickness	4 mm – 26 mm

PERFORMANS DEĞERİ / PERFORMANCE VALUES


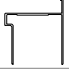









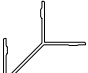


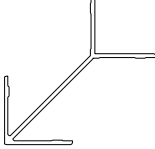
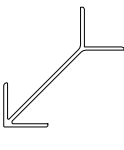

EN 12152 Hava Geçirgenliği / Air Permability	-
EN 12154 Su Sızdırmazlığı / Water Tightness	-
EN 13830 Rüzgar Yüküne Dayanım / Wind Resistance	-
Min. Termal Isı Yalıtımı / Min. Thermal Insulation	-

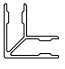
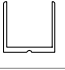

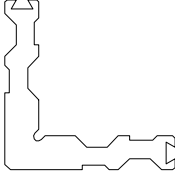

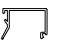


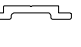
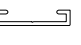
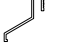


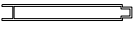

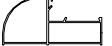

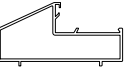
UYGULAMA SEÇENEKLERİ / APPLICATION OPTIONS

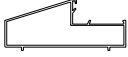


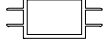


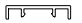





PROF L KES T PROFILE SECTION	PROF L KODU PROFILE CODE	PROF L ADI PROFILE NAME	Jx cm ⁴	Jy cm ⁴	A IRLIK (kg/m) WEIGHT
	180	KASA PROF L FRAME PROFILE	-	-	0,464 kg/mt
	626	KASA PROF L FRAME PROFILE	-	-	0,671 kg/mt
	339	KASA PROF L FRAME PROFILE	-	-	0,854 kg/mt
	183	KASA PROF L (ELOKSALLI) FRAME PROFILE (ANODIZED)	-	-	0,661 kg/mt
	403	KASA PROF L FRAME PROFILE	-	-	0,813 kg/mt
	342	KASA PROF L FRAME PROFILE	-	-	1,045 kg/mt
	424	KASA PROF L FRAME PROFILE	-	-	1,032 kg/mt
	179	ORTA KAYIT PROF L MULLION PROFILE	-	-	0,556 kg/mt
	625	ORTA KAYIT PROF L MULLION PROFILE	-	-	0,793 kg/mt
	338	ORTA KAYIT PROF L MULLION PROFILE	-	-	0,990 kg/mt
	20183	ORTA KAYIT PROF L (BOYALI) MULLION PROFILE (PAINTED)	-	-	0,610 kg/mt
	182	ORTA KAYIT PROF L (ELOKSALLI) MULLION PROFILE (ANODIZED)	-	-	0,766 kg/mt
	341	ORTA KAYIT PROF L MULLION PROFILE	-	-	1,179 kg/mt
	402	ORTA KAYIT PROF L MULLION PROFILE	-	-	0,935 kg/mt
	20182	ORTA KAYIT PROF L (BOYALI) MULLION PROFILE (PAINTED)	-	-	0,710 kg/mt
	185	ORTA KAYIT PROF L MULLION PROFILE	-	-	1,208 kg/mt
	186	ORTA KAYIT PROF L MULLION PROFILE	-	-	1,434 kg/mt
	391	TAKV YEL KASA PROF L REINFORCED FRAME PROFILE	-	-	1,112 kg/mt
	110	TAKV YEL ORTA KAYIT PROF L REINFORCED MULLION PROFILE	-	-	1,392 kg/mt

PROF L KES T PROFILE SECTION	PROF L KODU PROFILE CODE	PROF L ADI PROFILE NAME	Jx cm ⁴	Jy cm ⁴	A IRLIK (kg/m) WEIGHT
	109	TAKV YEL ORTA KAYIT PROF L REINFORCED MULLION PROFILE	-	-	1,260 kg/mt
	178	KANAT PROF L SASH PROFILE	-	-	0,556 kg/mt
	337	KANAT PROF L SASH PROFILE	-	-	0,990 kg/mt
	624	KANAT PROF L SASH PROFILE	-	-	0,793 kg/mt
	181	KANAT PROF L (ELOKSALLI) SASH PROFILE (ANODIZED)	-	-	0,766 kg/mt
	401	KANAT PROF L SASH PROFILE	-	-	0,935 kg/mt
	20181	KANAT PROF L (BOYALI) SASH PROFILE (PAINTED)	-	-	0,710 kg/mt
	340	KANAT PROF L SASH PROFILE	-	-	1,179 kg/mt
	198	KANAT PROF L SASH PROFILE	-	-	1,206 kg/mt
	184	ETEK PROF L BOTTOM PROFILE	-	-	1,325 kg/mt
	159	90° KÖ E DÖNÜ PROF L 90° CORNER PROFILE	-	-	0,763 kg/mt
	6832	90° KÖ E DÖNÜ PROF L 90° CORNER PROFILE	-	-	0,824 kg/mt
	404	90° KÖ E DÖNÜ PROF L 90° CORNER PROFILE	-	-	1,728 kg/mt
	160	135° KÖ E DÖNÜ PROF L 135° CORNER PROFILE	-	-	0,872 kg/mt
	7397	P VOT ADAPTÖR PROF L PIVOT ADAPTER PROFILE	-	-	0,590 kg/mt
	267	P VOT BA LANTI PROF L PIVOT CONNECTION PROFILE	-	-	0,776 kg/mt
	1210	ADAPTÖR PROF L ADAPTER PROFILE	-	-	0,298 kg/mt
	1209	ADAPTÖR PROF L ADAPTER PROFILE	-	-	0,380 kg/mt

PROF L KES T PROFILE SECTION	PROF L KODU PROFILE CODE	PROF L ADI PROFILE NAME	Jx cm ⁴	Jy cm ⁴	A IRLIK (kg/m) WEIGHT
	5387	U ADAPTÖR PROF L U ADAPTER PROFILE	-	-	0,493 kg/mt
	1579	U ADAPTÖR PROF L U ADAPTER PROFILE	-	-	0,500 kg/mt
	157	KASA ADAPTÖR PROF L FRAME ADAPTER PROFILE	-	-	0,291 kg/mt
	481	KASA ADAPTÖR PROF L FRAME ADAPTER PROFILE	-	-	0,183 kg/mt
	5788	T B N PROF L T CONNECTION PROFILE	-	-	0,205 kg/mt
	3818	T B N PROF L T CONNECTION PROFILE	-	-	0,210 kg/mt
	6414	T B N PROF L T CONNECTION PROFILE	-	-	0,175 kg/mt
	1123	T B N PROF L T CONNECTION PROFILE	-	-	0,355 kg/mt
	1035	T B N PROF L T CONNECTION PROFILE	-	-	0,239 kg/mt
	1139	T B N PROF L T CONNECTION PROFILE	-	-	0,239 kg/mt
	1121	T B N PROF L T CONNECTION PROFILE	-	-	0,232 kg/mt
	151	KÖ E ÇAVU BA LANTI PROF L CORNER JOINT PROFILE	-	-	1,081 kg/mt
	381	KÖ E ÇAVU BA LANTI PROF L CORNER JOINT PROFILE	-	-	1,083 kg/mt
	383	KÖ E ÇAVU BA LANTI PROF L CORNER JOINT PROFILE	-	-	1,075 kg/mt
	607	KÖ E ÇAVU BA LANTI PROF L CORNER JOINT PROFILE	-	-	1,729 kg/mt
	190	KÖ E ÇAVU BA LANTI PROF L CORNER JOINT PROFILE	-	-	1,816 kg/mt
	152	KÖ E ÇAVU BA LANTI PROF L CORNER JOINT PROFILE	-	-	0,710 kg/mt

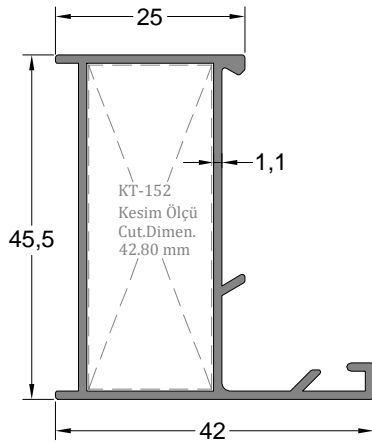
PROF L KES T PROFILE SECTION	PROF L KODU PROFILE CODE	PROF L ADI PROFILE NAME	Jx cm ⁴	Jy cm ⁴	A IRLIK (kg/m) WEIGHT
	295	KÖ E ÇAVU BA LANTI PROF L CORNER JOINT PROFILE	-	-	0,715 kg/mt
	225	GEN U BA LANTI PROF L WIDE U-CONNECTION PROFILE	-	-	0,635 kg/mt
	140	DAR U BA LANTI PROF L NARROW U-CONNECTION PROFILE	-	-	0,560 kg/mt
	414	KÖ E BA LANTI TAKOZ PROF L CORNER WEDGE PROFILE	-	-	4,298 kg/mt
	5987	ÇITA PROF L BEAD PROFILE	-	-	0,222 kg/mt
	104	ÇITA PROF L BEAD PROFILE	-	-	0,234 kg/mt
	105	ÇITA PROF L BEAD PROFILE	-	-	0,221 kg/mt
	384	ÇITA PROF L BEAD PROFILE	-	-	0,230 kg/mt
	640	SPANYOLET T J PROF L ESPAGNOLETTE STEM BAR PROFILE	-	-	0,125 kg/mt
	639	SPANYOLET T J PROF L ESPAGNOLETTE STEM BAR PROFILE	-	-	0,132 kg/mt
	158	MENFEZ PROF L VENT PROFILE	-	-	0,203 kg/mt
	163	L PROF L L PROFILE	-	-	0,126 kg/mt
	4848	L PROF L L PROFILE	-	-	0,422 kg/mt
	115	LAMBR PROF L PANELING PROFILE	-	-	0,610 kg/mt
	910	BORU KAPI KOLU (40mm) PIPE DOOR HANDLES	-	-	0,798 kg/mt
	7435	ARA BÖLME KASA PROF L PARTITION FRAME PROFILE	-	-	0,787 kg/mt
	5344	ARA BÖLME KASA PROF L PARTITION FRAME PROFILE	-	-	0,849 kg/mt
	415	ARA BÖLME KASA PROF L PARTITION FRAME PROFILE	-	-	1,041 kg/mt

PROF L KES T PROFILE SECTION	PROF L KODU PROFILE CODE	PROF L ADI PROFILE NAME	Jx cm ⁴	Jy cm ⁴	A IRLIK (kg/m) WEIGHT
	8472	ARA BÖLME KASA PROF L PARTITION FRAME PROFILE	-	-	1,140 kg/mt
	501	ARA BÖLME KASA PROF L PARTITION FRAME PROFILE	-	-	0,903 kg/mt
	504	ARA BÖLME KASA PROF L PARTITION FRAME PROFILE	-	-	0,787 kg/mt
	3949	ARA BÖLME KASA PROF L PARTITION FRAME PROFILE	-	-	1,529kg/mt
	8473	ARA BÖLME KASA PROF L PARTITION FRAME PROFILE	-	-	1,050kg/mt
	4095	ARA BÖLME ÜST KAPAK PROF L PARTITION TOP COVER PROFILE	-	-	0,533 kg/mt
	502	ARA BÖLME KAPAK PROF L PARTITION COVER PROFILE	-	-	0,223 kg/mt
	505	ARA BÖLME KAPAK PROF L PARTITION COVER PROFILE	-	-	0,194 kg/mt
	11121	KUTU PROF L BOX PROFILE	-	-	1,040 kg/mt
	232	KUTU PROF L BOX PROFILE	-	-	1,257 kg/mt

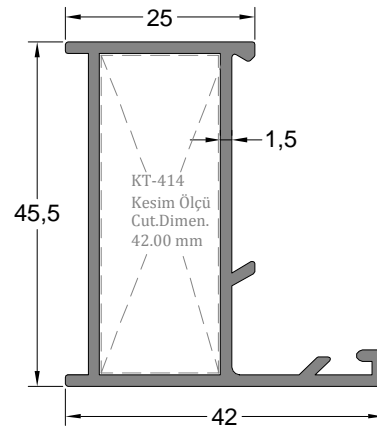
AKSESUAR ACCESSORY	STOK KODU REFERENCE CODE	AKSESUAR ADI DESCRIPTION	AKSESUAR KODU PRODUCT CODE	PAKET PACK
	03 020501	HORTUMLU CAM F T L 6MM BUBBLED GLAZING GASKET 6 MM	AL-HCF.60	1pk / 100 mt
	03 020502	HORTUMLU CAM F T L 4MM BUBBLED GLAZING GASKET 4 MM	AL-HCF.40	1pk / 100 mt
	03 020503	HORTUMLU CAM F T L 3MM BUBBLED GLAZING GASKET 3 MM	AL-HCF.30	1pk / 100 mt
	03 070106	KAMA F T L 2319 (2MM) EPDM GASKET 2319 (2 mm)	AL-KMF.02	1 pk / 250 mt
	03 070103	KAMA F T L 2300(3MM) EPDM GASKET 2300 (3 mm)	AL-KMF.03	1 pk / 200 mt
	03 070101	KAMA F T L 2209 (4MM) EPDM GASKET 2209 (4 mm)	AL-KMF.04	1 pk / 140 mt
	03 070105	KAMA F T L 2210 (5MM) EPDM GASKET 2210 (5 mm)	AL-KMF.05	1 pk / 135 mt
	03 015517	KAMA F T L 5517 (6MM) EPDM GASKET 5517 (6 mm)	AL-KMF.06	1 pk / 100 mt
	03 020208	ALDOKS KASA F T L ALDOKS FRAME GASKET	AL-KF.08	1 pk / 100 mt
	03 020209	ALDOKS KANAT F T L ALDOKS SASH GASKET	AL-KF.09	1 pk / 150 mt
	01 150200	ALÜM NYUM KAPI ALTI FIRÇASI ALUMINUM DOORBASE BRUSH	AL-KF.200	1 pk / 100 ad
	03 050712	FIRÇA F T L (6,8x10 mm) WEATHER STRIP (6,8x10 mm)	AL-FÇ.712	1 pk / 200 mt
	01 010201	DÜZ ALDOKS MENTEŞE (ELOKSAL) FLAT ALDOKS HINGE (ANODIZED)	AL-DM.201	1 pk / 200 ad
	01 010301	ALDOKS GEÇME MENTEŞE (ELOKSAL) ALDOKS INTERLACED HINGE (ANODIZED)	AL-GM.301	1 pk / 200 ad
	01 010601	P VOT MENTEŞE (ELOKSAL) PIVOT HINGE (ANODIZED)	AL-PM.601	1 pk / 200 ad
	01 010905	ALDOKS BURSA MENTEŞE (ELOKSAL) ALDOKS BURSA HINGE (ANODIZED)	AL-BM.905	1 pk / 200 ad
	01 031309	50 cm H KOL (ELOKSAL) ALDOKS H HANDLE (ANODIZED)	AL-HK.309	1 pk / 10 ad
	01 031201	YAY KOL (ELOKSAL) BOWED HANDLE (ANODIZED)	AL-YK.201	1 pk / 10 ad
	01 031901	LAMA BANT KOL 90 cm-100 cm (ELOKSAL) 90 cm - 100 cm STRAP SHEET HANDLE (ANODIZED)	AL-LBK.901	1 pk / 2 ad
	01 160103	PAN K BAR BARELSİZ DOOR HANDLE (ANODIZED)	AL-PBB.103	1 pk / 1 ad
	01 160106	PAN K BAR KOLU (KİLİTLENEBİLİR) DOOR HANDLE (LOCK WITH KEY)	AL-PBK.106	1 pk / 1 ad
	01 031101	AKBANK KOL APARATI OVAL (ELOKSAL) AKBANK OVAL HANDLE TOOL (ANODIZED)	AL-DKK.101	1 pk / 1 ad

AKSESUAR ACCESSORY	STOK KODU REFERENCE CODE	AKSESUAR ADI DESCRIPTION	AKSESUAR KODU PRODUCT CODE	PAKET PACK
	01 031104	AKBANK KOL APARATI (ELOKSAL) AKBANK HANDLE TOOL (ANODIZED)	AL-AKA.104	1 pk / 1 ad
	01 031350	KÖ EL H KOL (ELOKSAL) ANGULAR H HANDLE (ANODIZED)	AL-KHK.350	1 pk / 10 ad
	01 030401	25 mm 30 cm KIVRIK KOL (ELOKSAL) 25 mm 30 cm CONVOLUTED HANDLE (ANODIZED)	AL-KK.401	1 pk / 10 ad
	01 030901	YARIM AY KAPI KOLU (ELOKSAL) SEMI-CIRCULAR DOOR HANDLE (ANODIZED)	AL-YAK.901	1 pk / 1 ad
	01 040104	YAYLI SOS S KOL (ELOKSAL) SPRING TUBULAR HANDLE(ANODIZED)	AL-YSK.104	1 pk / 1 ad
	01 040902	FORZA KAPI KOLU (BEYAZ) FORZA DOOR HANDLE (WHITE)	AL-FK.902	1 pk / 10 ad
	01 040903	FORZA KAPI KOLU (RENKL) FORZA DOOR HANDLE (COLORED)	AL-FK.903	1 pk / 10 ad
	01 040904	FORZA KAPI KOLU (NATUREL) FORZA DOOR HANDLE (NATURAL)	AL-FK.904	1 pk / 10 ad
	01 020810	FORZA EKSENEL KOL YEN (NATUREL) FORZA NEW AXIAL HANDLE (NATURAL)	AL-EK.810	1 pk / 50 ad
	01 020811	FORZA EKSENEL KOL YEN (BEYAZ) FORZA NEW AXIAL HANDLE (WHITE)	AL-EK.811	1 pk / 50 ad
	01 020812	FORZA EKSENEL KOL YEN (RENKL) FORZA NEW AXIAL HANDLE (COLORED)	AL-EK.812	1 pk / 50 ad
	01 020702	FORZA EKSENEL PENCERE KOL (BEYAZ) FORZA NEW AXIAL WINDOW HANDLE (WHITE)	AL-FPK.702	1 pk / 20 ad
	01 020703	FORZA EKSENEL PENCERE KOL (RENKL) FORZA NEW AXIAL WINDOW HANDLE (COLORED)	AL-FPK.703	1 pk / 20 ad
	01 020803	FORZA EKSENEL PENCERE KOL (NATUREL) FORZA NEW AXIAL WINDOW HANDLE (NATURAL)	AL-FPK.803	1 pk / 20 ad
	01 060101	K L T KAR ILI I (ELOKSAL) LOCK STRIKER (ANODIZED)	AL-KK.101	1 pk / 50 ad
	05 010200	155/20 U SÜPER S L ND R MAKARALI K L T 155/20 ROLLED LOCK	AL-MK.200	1 pk / 1 ad
	05 010109	153/20 U SÜPER S L ND RL D LL K L T 153/20 BOLT LOCK	AL-DK.109	1 pk / 1 ad
	01 081501	VAS STAS ÇARPMA (ELOKSAL) TRANSOM CATCH (ANODIZED)	AL-VÇ.501	1 pk / 50 ad
	01 070301	GÖMME SÜRGÜ (ELOKSAL) SUNKEN LATCH (ANOLIZED)	AL-GS.301	1 pk / 1 ad
	01 070501	SAVYO SÜRGÜ (ELOKSAL) SAVIO LATCH (ANODIZED)	AL-SS.501	1 pk / 12 ad
	01 070401	F EK SÜRGÜ (ELOKSAL) TOWER BOLT	AL-FS.401	1 pk / 25 ad
	01 130207	ARA KAYIT BA LANTISI DAR CONNECTING PARTS (NARROW)	AL-KBD.207	1 pk / 100 ad

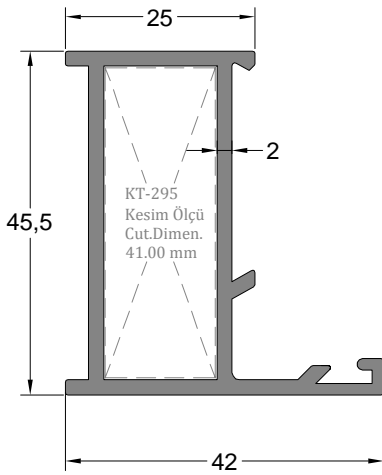
AKSESUAR ACCESSORY	STOK KODU REFERENCE CODE	AKSESUAR ADI DESCRIPTION	AKSESUAR KODU PRODUCT CODE	PAKET PACK
	01 130210	ARA KAYIT BA LANTISI GEN CONNECTING PARTS (LARGE)	AL-KBG.210	1 pk / 100 ad
	01 120101	SPANYOLET P M ESPAGNOLETTE PIN	AL-TP.101	1 pk / 100 tk
	01 081000	AYARLI KADEMEL MAKAS (5 KADEME) ADJUSTABLE TRUSS	AL-KM.1000	1 pk / 10 ad
	01 081001	AYARLI KADEMEL MAKAS (3 KADEME) ADJUSTABLE TRUSS	AL-KM.1001	1 pk / 10 ad
	04 010114	SPANYOLET KAR ILI I PLAST K ESPAGNOLETTE STRIKER PLASTIC	AL- KP.114	1 pk / 200 ad
	01 080101	13 CM VAS STAS MAKAS (ELOKSALLI) 13 CM TRANSOM TRUSS (ANODIZED)	AL-VM.101	1 pk / 50 ad
	01 080102	13 CM VAS STAS MAKAS (BEYAZ) 13 CM TRANSOM TRUSS (WHITE)	AL-VM.102	1 pk / 50 ad
	01 080103	13 CM VAS STAS MAKAS (RENKL) 13 CM TRANSOM TRUSS (COLORED)	AL-VM.103	1 pk / 50 ad
	01 080201	22 CM VAS STAS MAKAS (ELOKSALLI) 22 CM TRANSOM TRUSS (ANODIZED)	AL-VM.201	1 pk / 50 ad
	01 080202	22 CM VAS STAS MAKAS (BEYAZ) 22 CM TRANSOM TRUSS (WHITE)	AL-VM.202	1 pk / 50 ad
	01 080203	22 CM VAS STAS MAKAS (RENKL) 22 CM TRANSOM TRUSS (COLORED)	AL-VM.203	1 pk / 50 ad
	01 012206	ÇARPMA KAPI MENTE E (ELOKSAL) OUTWARD OPENING OVERLAPPING HINGE (ANODIZED)	AL-ÇM.206	1 pk / 1 ad
	01 012202	ÇARPMA KAPI MENTE E (BEYAZ) OUTWARD OPENING OVERLAPPING HINGE (WHITE)	AL-ÇM.202	1 pk / 1 ad
	01 170101	ALDOKS HAZIR T J 75 CM (ELOKSALLI) ALDOKS READY T J 75 CM (ANODIZED)	AL-HT.101	1 pk / 1 ad
	01 170102	ALDOKS HAZIR T J 75 CM (BEYAZ) ALDOKS READY T J 75 CM (WHITE)	AL-HT.102	1 pk / 1 ad
	11 011037	Ø4.8x25 YHB SAÇ V DA 4.8x25 STRAIGHT TOP SCREW	AL-SC.37	1 pk / 1000 ad
	11 011034	Ø4.8x16 YHB SAÇ V DA 4.8x16 STRAIGHT TOP SCREW	AL-SC.34	1 pk / 1000 ad
	08 040160	S KAS L C NÖTR S L KON EFFAF (300 ml.) SIKASIL C NEUTRAL SILICONE TRANSPARENT (300 ml.)	AL-CNS.160	1 koli / 25 ad



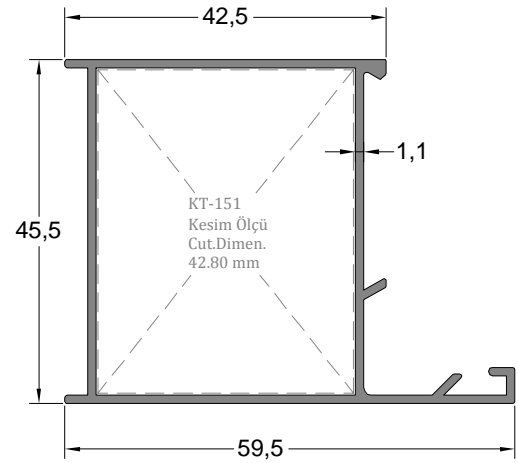
Kasa Profili	Profil Kodu	(kg/mt)
FRAME PROFILE	Profile Code	Weight
	180	0,464



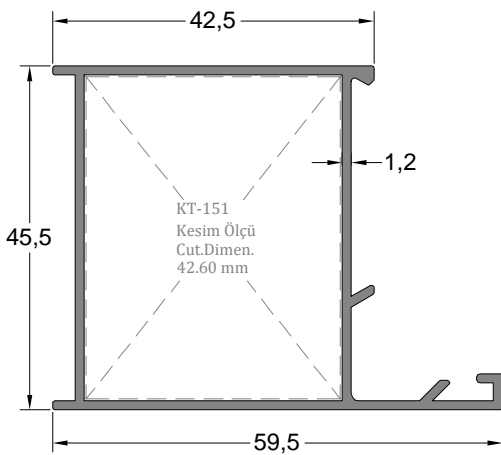
Kasa Profili	Profil Kodu	(kg/mt)
FRAME PROFILE	Profile Code	Weight
	626	0,671



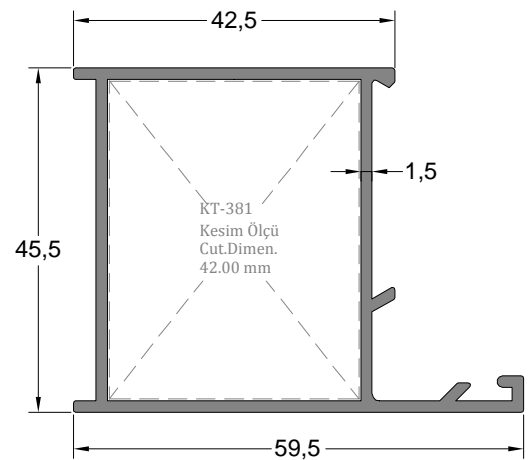
Kasa Profili	Profil Kodu	(kg/mt)
FRAME PROFILE	Profile Code	Weight
	339	0,854



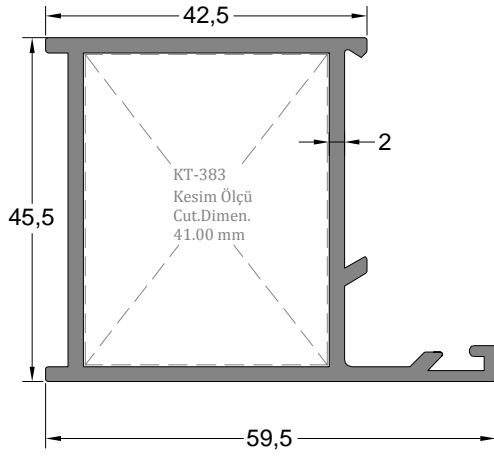
Kasa Profili (Boyalı)	Profil Kodu	(kg/mt)
FRAME PROFILE (PAINTED)	Profile Code	Weight
	20183	0,610



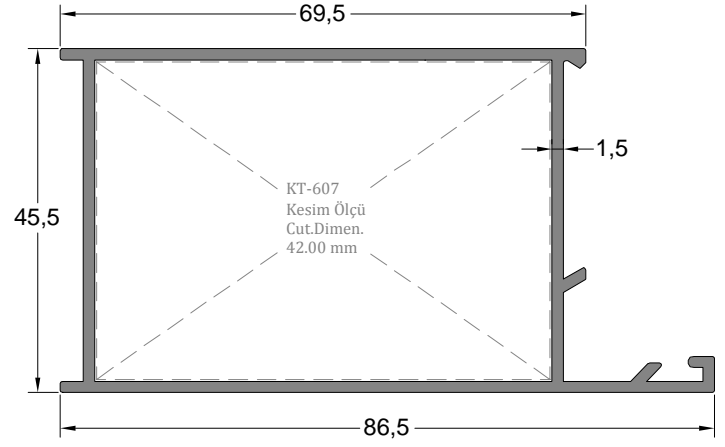
Kasa Profili (Eloksallı)	Profil Kodu	(kg/mt)
FRAME PROFILE (ANODIZED)	Profile Code	Weight
	183	0,661



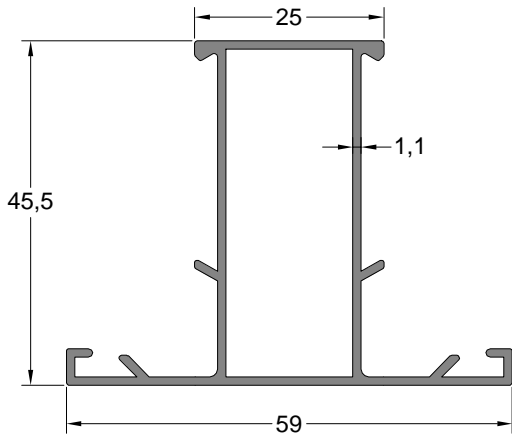
Kasa Profili	Profil Kodu	(kg/mt)
FRAME PROFILE	Profile Code	Weight
	403	0,813



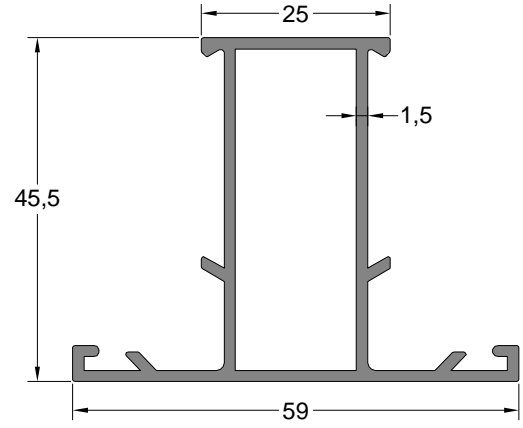
Kasa Profili	Profil Kodu	(kg/mt)
FRAME PROFILE	Profile Code	Weight
	342	1,045



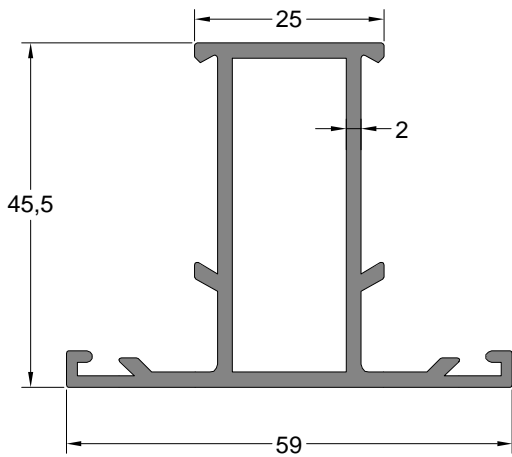
Kasa Profili	Profil Kodu	(kg/mt)
FRAME PROFILE	Profile Code	Weight
	424	1,032



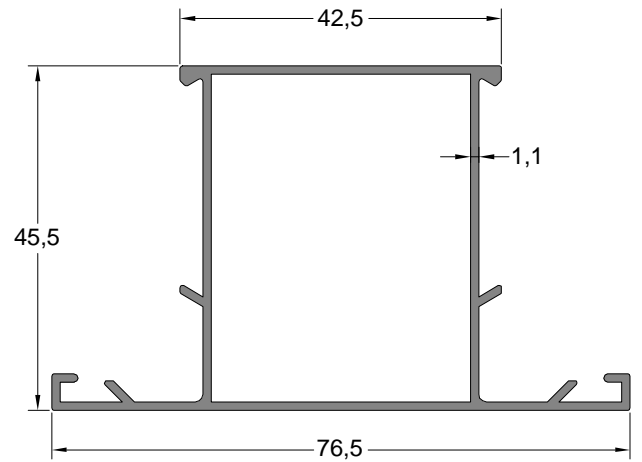
Orta Kayıt Profili	Profil Kodu	(kg/mt)
MULLION PROFILE	Profile Code	Weight
	179	0,556



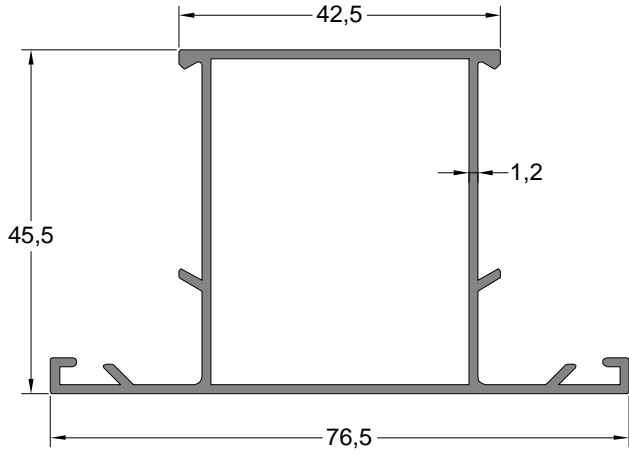
Orta Kayıt Profili	Profil Kodu	(kg/mt)
MULLION PROFILE	Profile Code	Weight
	625	0,793



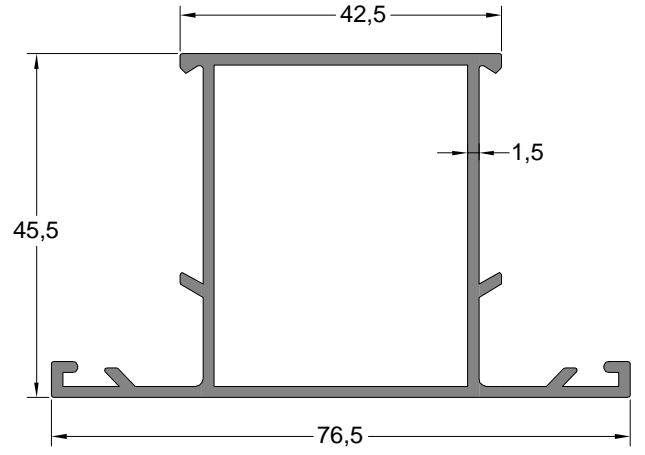
Orta Kayıt Profili	Profil Kodu	(kg/mt)
MULLION PROFILE	Profile Code	Weight
	338	0,990



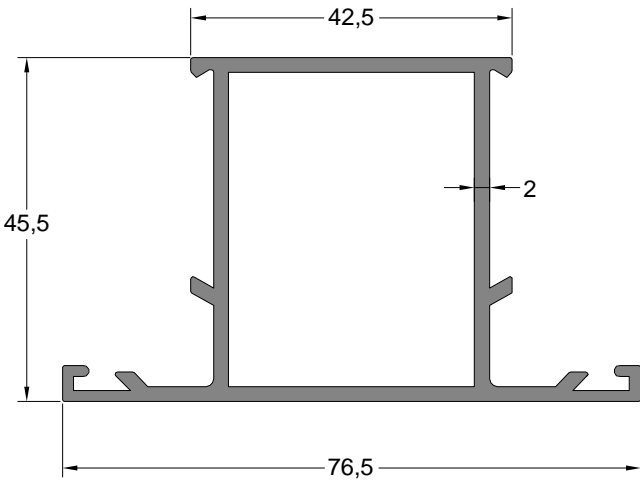
Orta Kayıt Profili (Boyalı)	Profil Kodu	(kg/mt)
MULLION PROFILE (PAINTED)	Profile Code	Weight
	20182	0,710



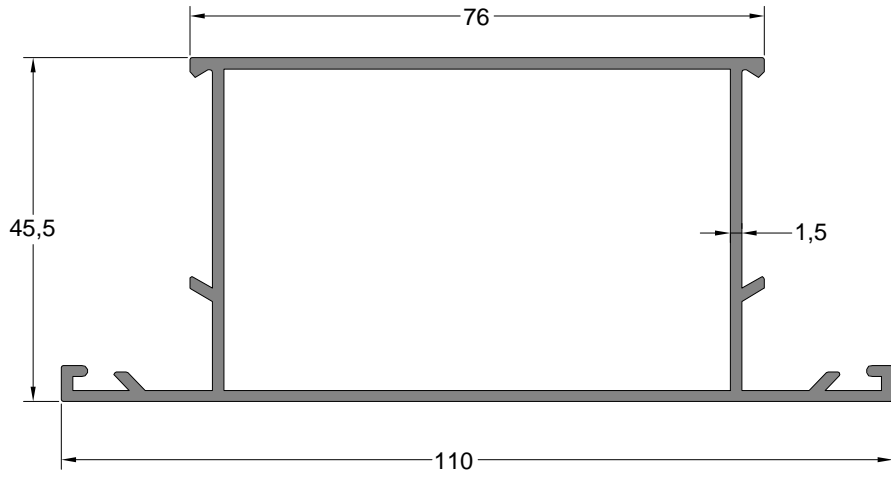
Orta Kayıt Profili (Eloksallı)	Profil Kodu	(kg/mt)
MULLION PROFILE (ANODIZED)	Profile Code	Weight
	182	0,766



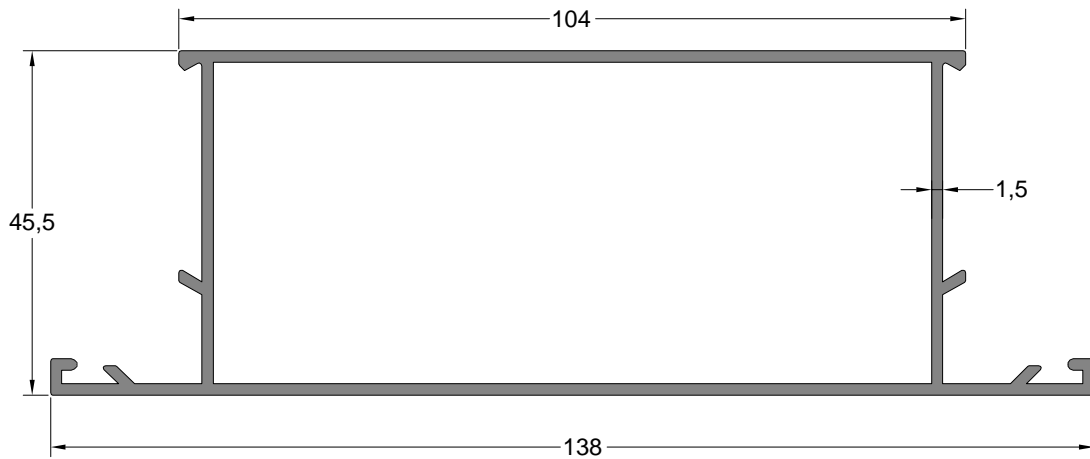
Orta Kayıt Profili	Profil Kodu	(kg/mt)
MULLION PROFILE	Profile Code	Weight
	402	0,935



Orta Kayıt Profili	Profil Kodu	(kg/mt)
MULLION PROFILE	Profile Code	Weight
	341	1,179

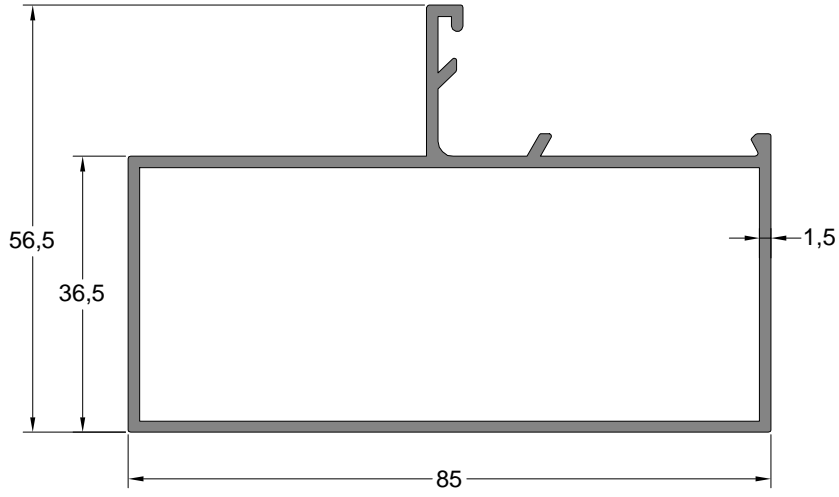


Orta Kayıt Profili	Profil Kodu	(kg/mt)
MULLION PROFILE	Profile Code	Weight
	185	1,208

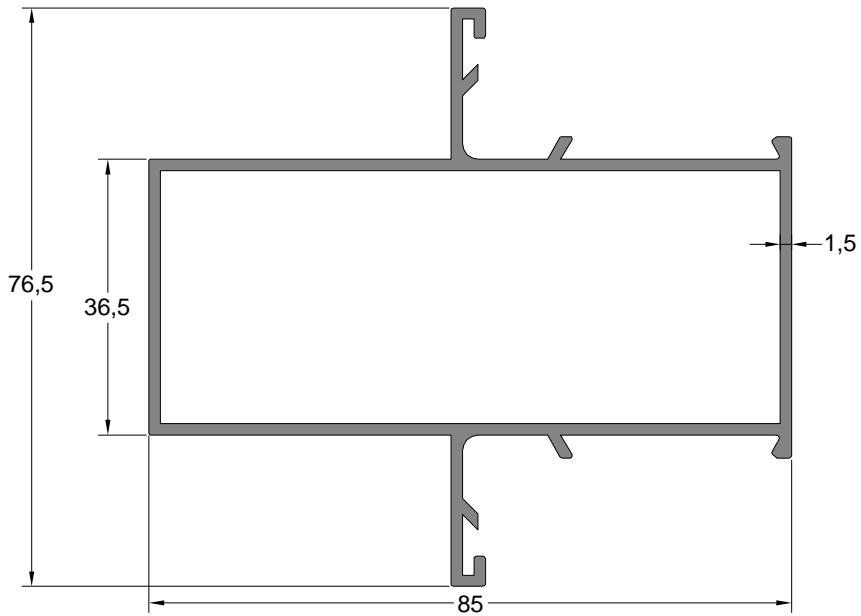


Orta Kayıt Profili	Profil Kodu	(kg/mt)
MULLION PROFILE	Profile Code	Weight
	186	1,434

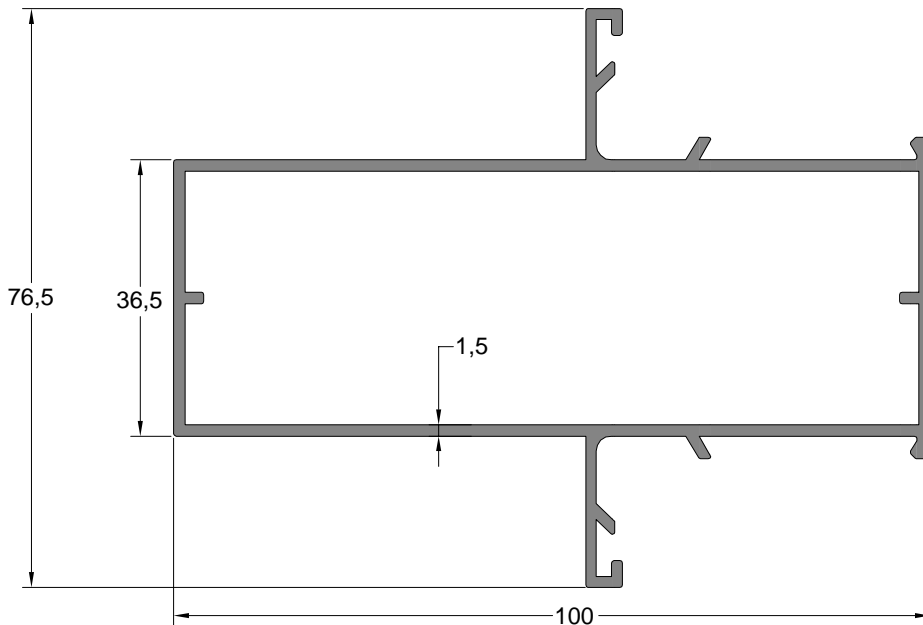
** Her profil için minimum sipari 300 kg'dır.
** Minimum order quantity is 300 kg per profile.



Takviyeli Kasa Profili	Profil Kodu	(kg/mt)
REINFORCED FRAME PROFILE	Profile Code	Weight
	391	1,112

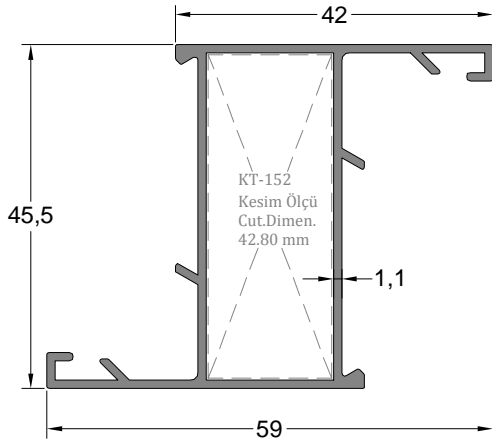


Takviyeli Orta Kayıt Profili	Profil Kodu	(kg/mt)
REINFORCED MULLION PROFILE	Profile Code	Weight
	109	1,260

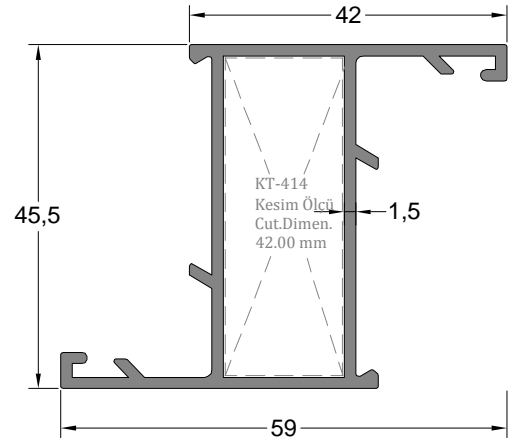


Takviyeli Orta Kayıt Profili	Profil Kodu	(kg/mt)
REINFORCED MULLION PROFILE	Profile Code	Weight
	110	1,392

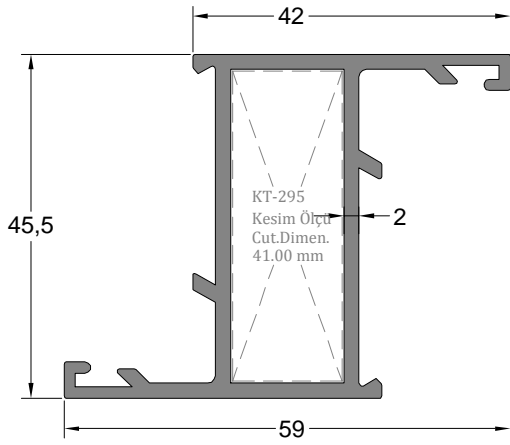
** Her profil için minimum sipari 300 kg'dır.
** Minimum order quantity is 300 kg per profile.



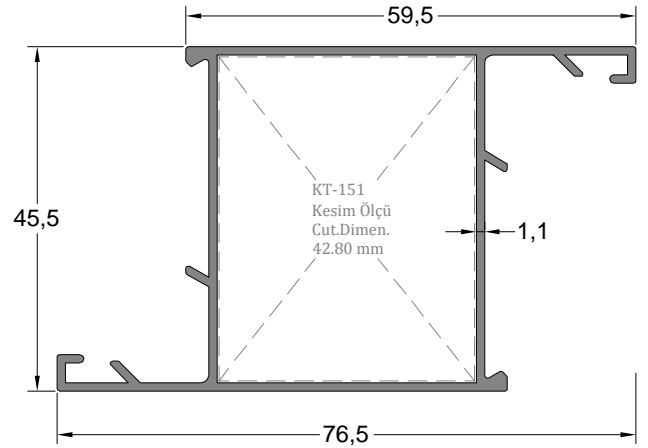
Kanat Profili	Profil Kodu Profile Code	(kg/mt) Weight
SASH PROFILE	178	0,556



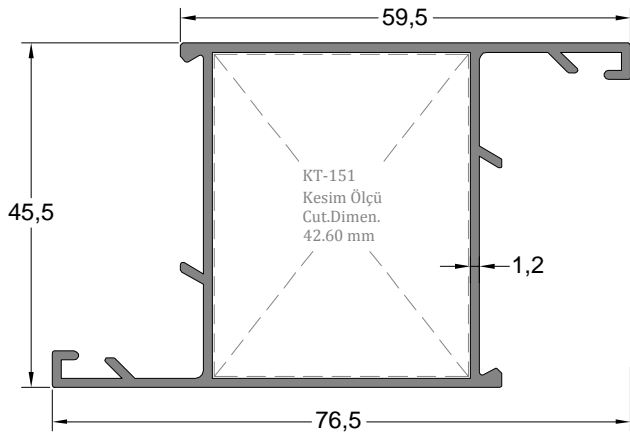
Kanat Profili	Profil Kodu Profile Code	(kg/mt) Weight
SASH PROFILE	624	0,793



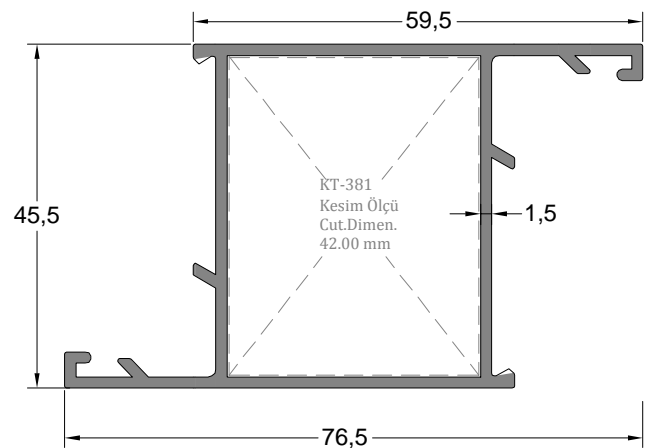
Kanat Profili	Profil Kodu Profile Code	(kg/mt) Weight
SASH PROFILE	337	0,990



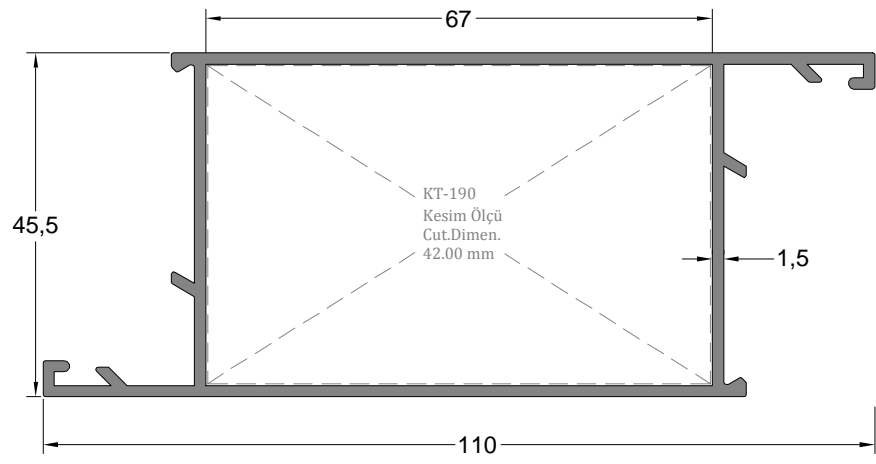
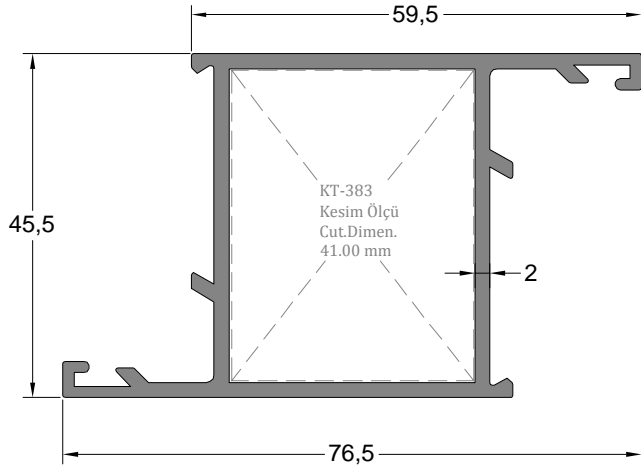
Kanat Profili	Profil Kodu Profile Code	(kg/mt) Weight
SASH PROFILE	20181	0,710



Kanat Profili	Profil Kodu Profile Code	(kg/mt) Weight
SASH PROFILE	181	0,766

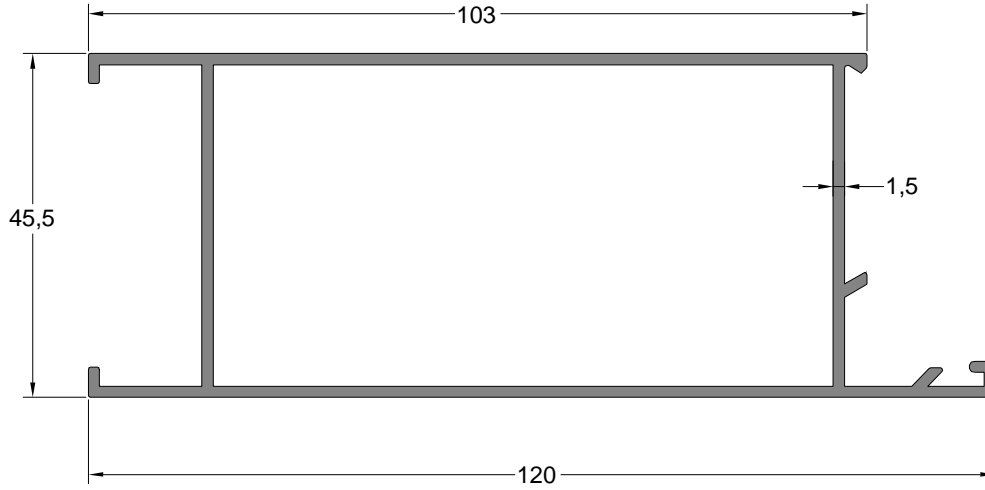


Kanat Profili	Profil Kodu Profile Code	(kg/mt) Weight
SASH PROFILE	401	0,935

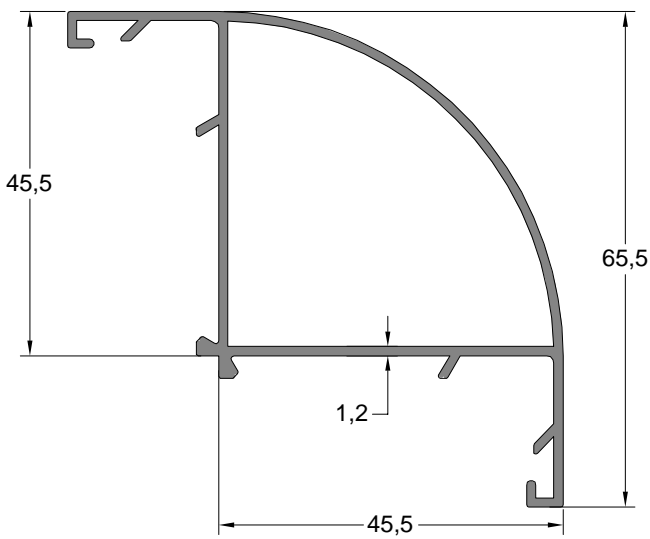


Kanat Profili	Profil Kodu Profile Code	(kg/mt) Weight
SASH PROFILE	340	1,179

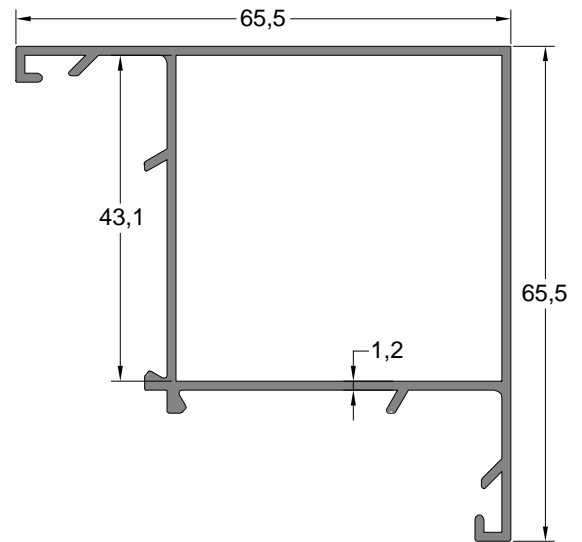
Kanat Profili	Profil Kodu Profile Code	(kg/mt) Weight
SASH PROFILE	198	1,206



Etek Profili	Profil Kodu Profile Code	(kg/mt) Weight
BOTTOM PROFILE	184	1,325

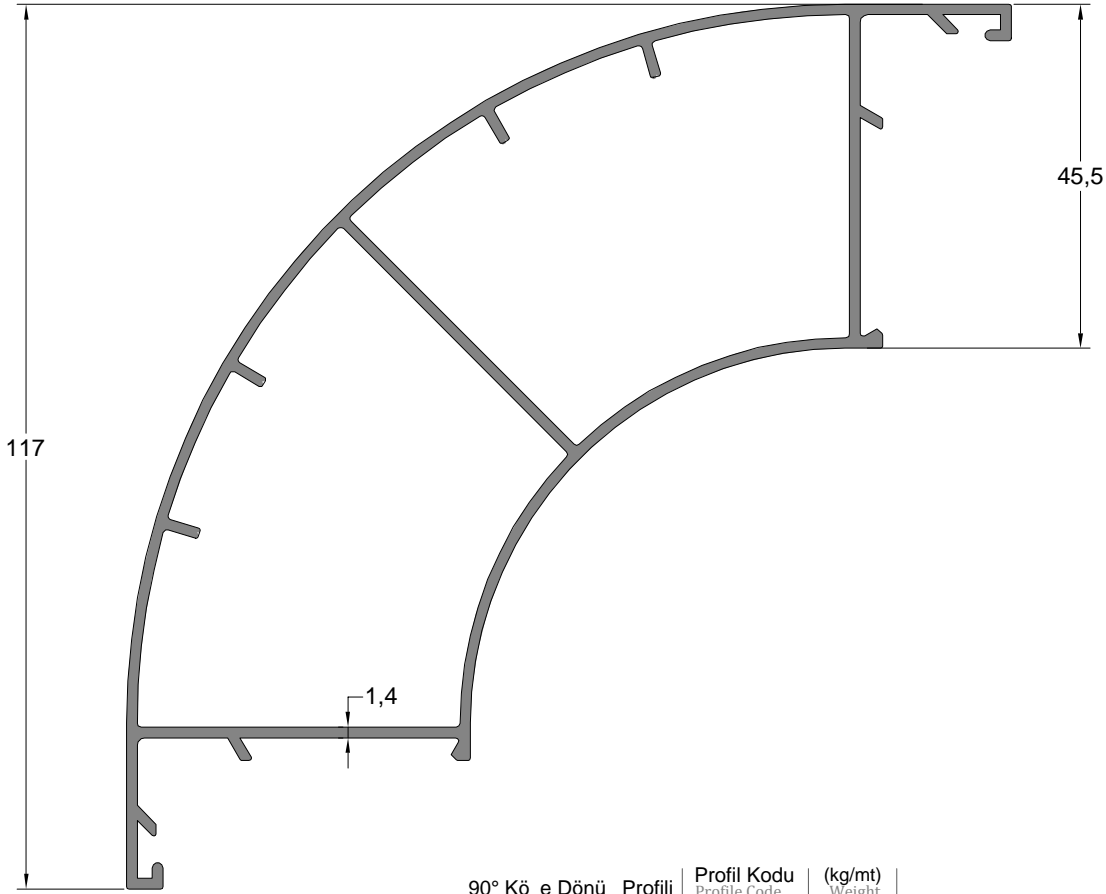


90° Kö e Dönü Profili	Profil Kodu Profile Code	(kg/mt) Weight
90° CORNER PROFILE	159	0,763

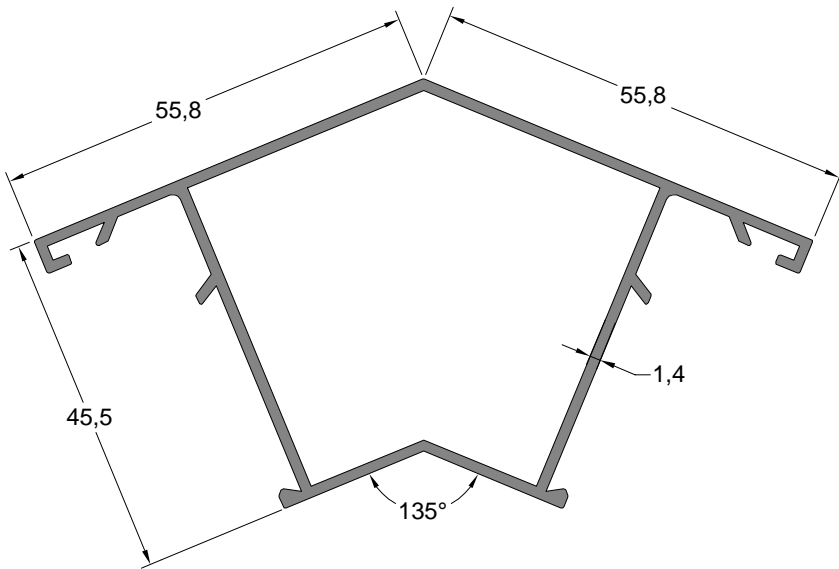


90° Kö e Dönü Profili	Profil Kodu Profile Code	(kg/mt) Weight
90° CORNER PROFILE	6832	0,824

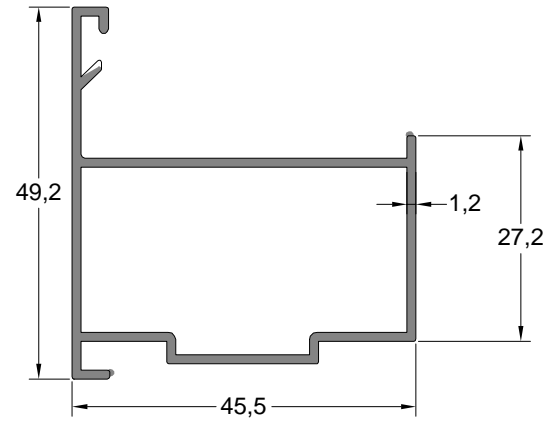
** Her profil için minimum sipari 300 kg'dır.
** Minimum order quantity is 300 kg per profile.



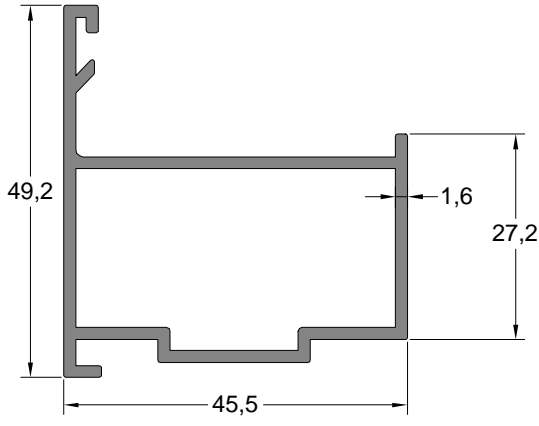
90° Kö e Dönü Profili	Profil Kodu	(kg/mt)
90° CORNER PROFILE	Profile Code	Weight
	404	1,728



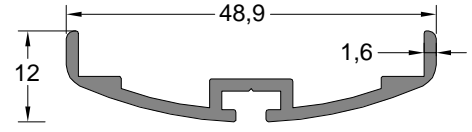
135° Kö e Dönü Profili	Profil Kodu	(kg/mt)
135° CORNER PROFILE	Profile Code	Weight
	160	0,872



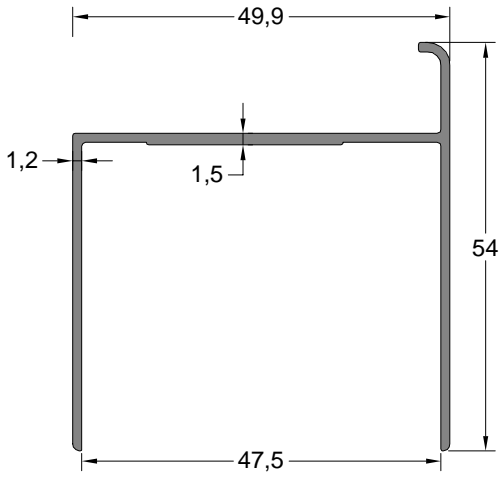
Pivot Adaptör Profili	Profil Kodu	(kg/mt)
PIVOT ADAPTER PROFILE	Profile Code	Weight
	7397	0,590



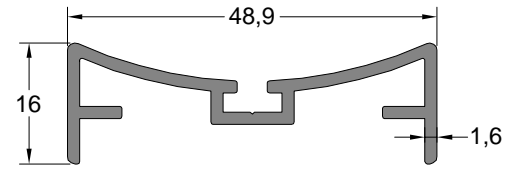
Pivot Adaptör Profili	Profil Kodu	(kg/mt)
PIVOT ADAPTER PROFILE	267	0,776



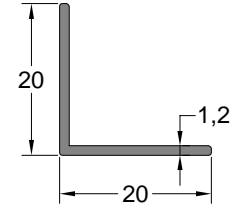
Adaptör Profili	Profil Kodu	(kg/mt)
ADAPTER PROFILE	1210	0,298



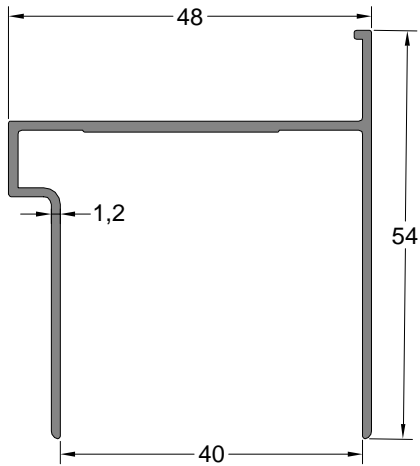
U Adaptör Profili	Profil Kodu	(kg/mt)
U ADAPTER PROFILE	5387	0,493



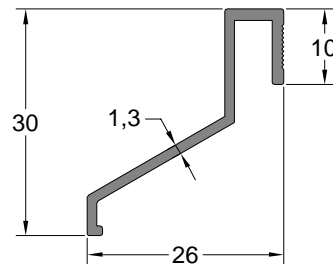
Adaptör Profili	Profil Kodu	(kg/mt)
ADAPTER PROFILE	1209	0,380



L Profili	Profil Kodu	(kg/mt)
L PROFILE	163	0,126

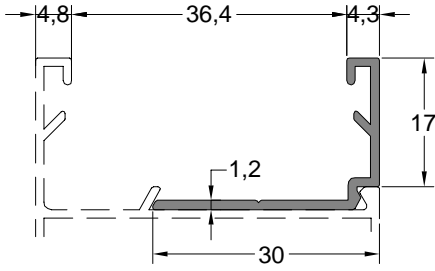


U Adaptör Profili	Profil Kodu	(kg/mt)
U ADAPTER PROFILE	1579	0,500

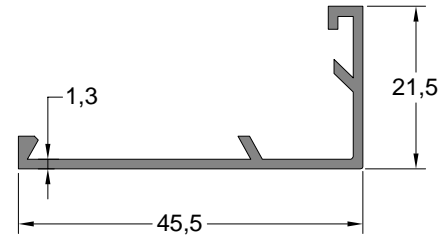


Menfez Profili	Profil Kodu	(kg/mt)
VENT PROFILE	158	0,203

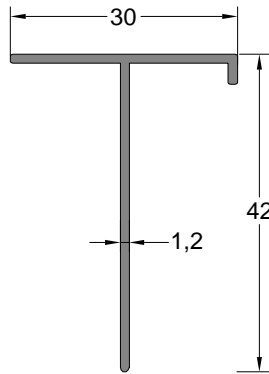
** Her profil için minimum sipari 300 kg'dır.
** Minimum order quantity is 300 kg per profile.



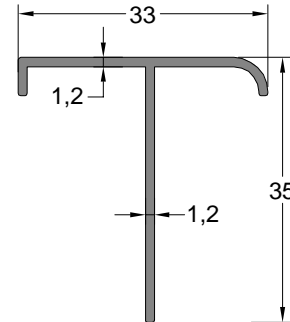
Kasa Adaptör Profili	Profil Kodu	(kg/mt)
FRAME ADAPTER PROFILE	Profile Code	Weight
	481	0,183



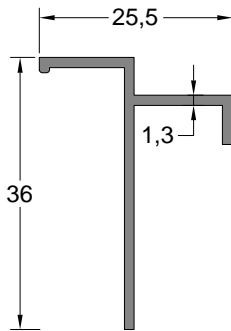
Kasa Adaptör Profili	Profil Kodu	(kg/mt)
FRAME ADAPTER PROFILE	Profile Code	Weight
	157	0,291



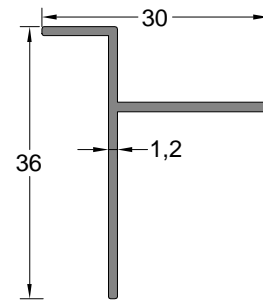
T Bini Profili	Profil Kodu	(kg/mt)
T CONNECTION PROFILE	Profile Code	Weight
	1035	0,239



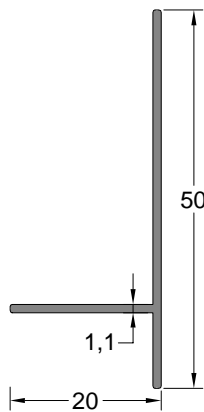
T Bini Profili	Profil Kodu	(kg/mt)
T CONNECTION PROFILE	Profile Code	Weight
	1139	0,239



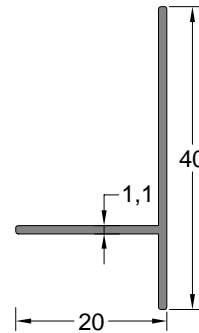
T Bini Profili	Profil Kodu	(kg/mt)
T CONNECTION PROFILE	Profile Code	Weight
	1121	0,232



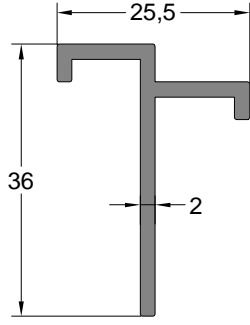
T Bini Profili	Profil Kodu	(kg/mt)
T CONNECTION PROFILE	Profile Code	Weight
	3818	0,210



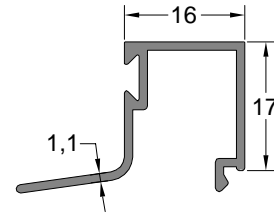
T Bini Profili	Profil Kodu	(kg/mt)
T CONNECTION PROFILE	Profile Code	Weight
	5788	0,205



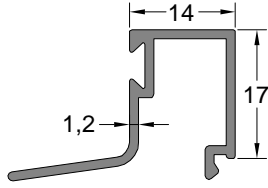
T Bini Profili	Profil Kodu	(kg/mt)
T CONNECTION PROFILE	Profile Code	Weight
	6414	0,175



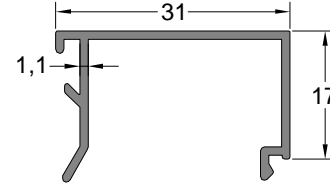
T Bini Profili	Profil Kodu	(kg/mt)
T CONNECTION PROFILE	Profile Code	Weight
	1123	0,355



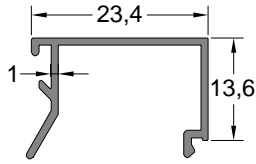
Çıta Profili	Profil Kodu	(kg/mt)
BEAD PROFILE	Profile Code	Weight
	5987	0,222



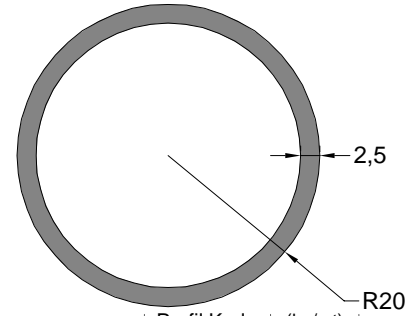
Çıta Profili	Profil Kodu	(kg/mt)
BEAD PROFILE	Profile Code	Weight
	105	0,221



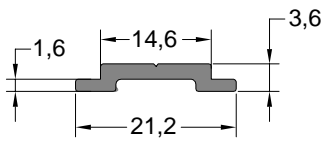
Çıta Profili	Profil Kodu	(kg/mt)
BEAD PROFILE	Profile Code	Weight
	384	0,230



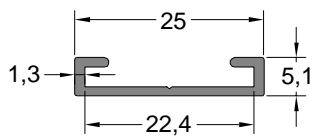
Çıta Profili	Profil Kodu	(kg/mt)
BEAD PROFILE	Profile Code	Weight
	104	0,234



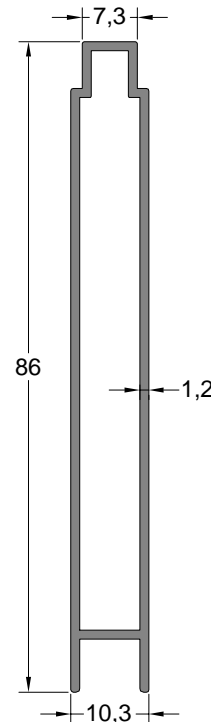
Boru Kapı Kolu	Profil Kodu	(kg/mt)
PIPE DOOR HANDLES	Profile Code	Weight
	910	0,798



spanyolet Tij Profili	Profil Kodu	(kg/mt)
ESPAGNOLETTE STEM BAR PROFILE	Profile Code	Weight
	640	0,125

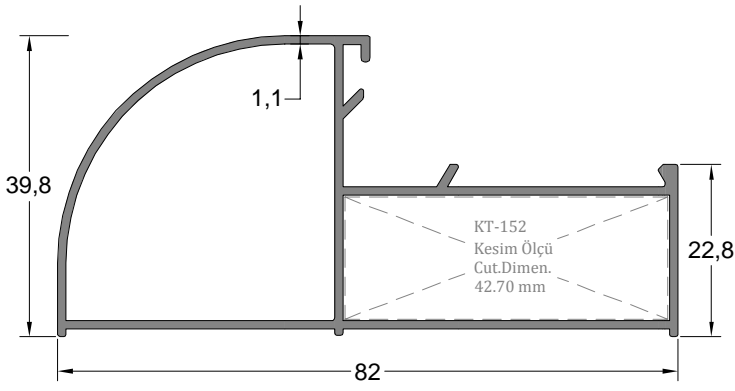


spanyolet Tij Profili	Profil Kodu	(kg/mt)
ESPAGNOLETTE STEM BAR PROFILE	Profile Code	Weight
	639	0,132

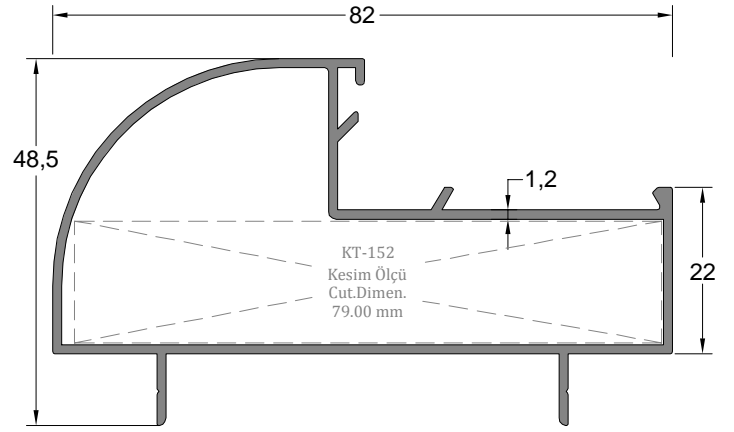


Lambri Profili	Profil Kodu	(kg/mt)
PANELLING PROFILE	Profile Code	Weight
	115	0,610

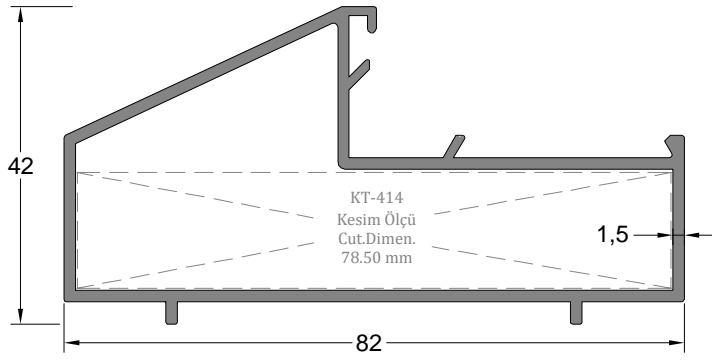
** Her profil için minimum sipari 300 kg'dır.
** Minimum order quantity is 300 kg per profile.



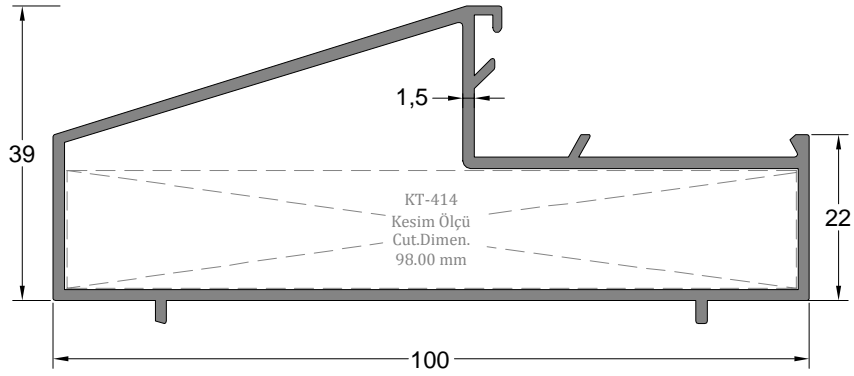
Ara Bölme Kasa Profili	Profil Kodu	(kg/mt)
PARTITION FRAME PROFILE	7435	0,787



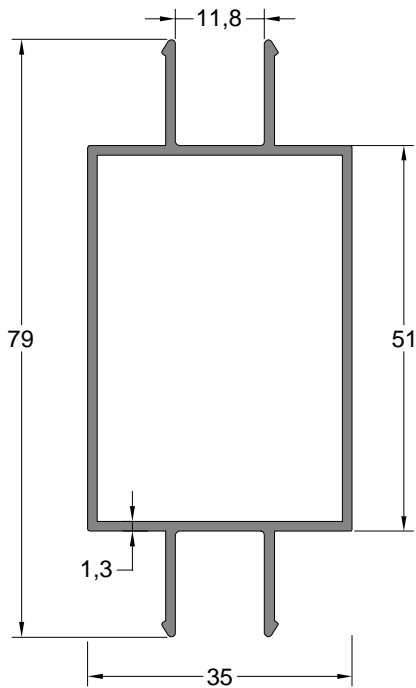
Ara Bölme Kasa Profili	Profil Kodu	(kg/mt)
PARTITION FRAME PROFILE	5344	0,849



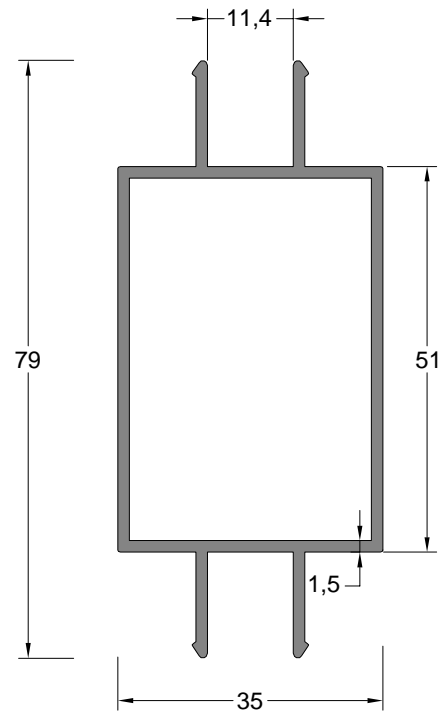
Ara Bölme Kasa Profili	Profil Kodu	(kg/mt)
PARTITION FRAME PROFILE	415	1,041



Ara Bölme Kasa Profili	Profil Kodu	(kg/mt)
PARTITION FRAME PROFILE	8472	1,140

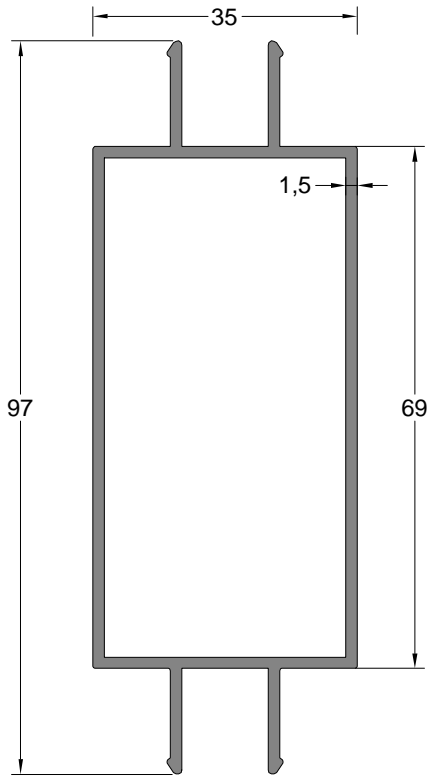


Ara Bölme Kasa Profili	Profil Kodu	(kg/mt)
PARTITION FRAME PROFILE	504	0,787

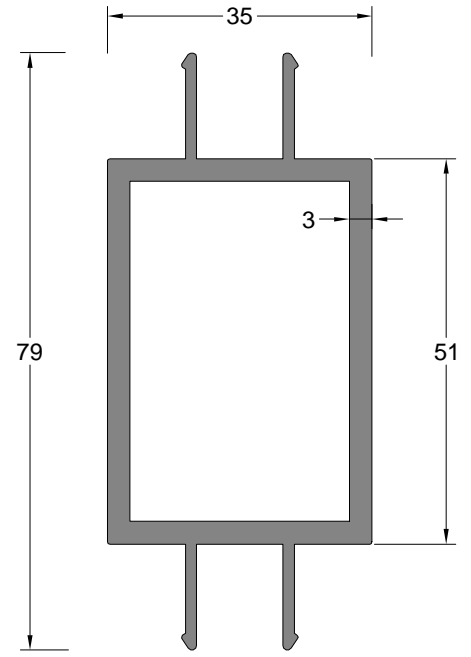


Ara Bölme Kasa Profili	Profil Kodu	(kg/mt)
PARTITION FRAME PROFILE	501	0,903

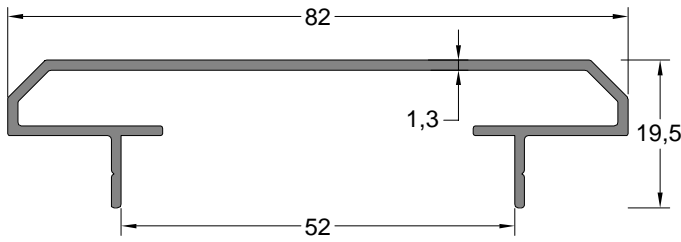
** Her profil için minimum sipari 300 kg'dır.
** Minimum order quantity is 300 kg per profile.



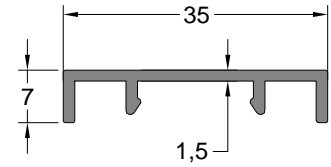
Ara Bölme Kasa Profili	Profil Kodu	(kg/mt)
PARTITION FRAME PROFILE	Profile Code	Weight
	8473	1,050



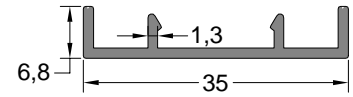
Ara Bölme Kasa Profili	Profil Kodu	(kg/mt)
PARTITION FRAME PROFILE	Profile Code	Weight
	3949	1,529



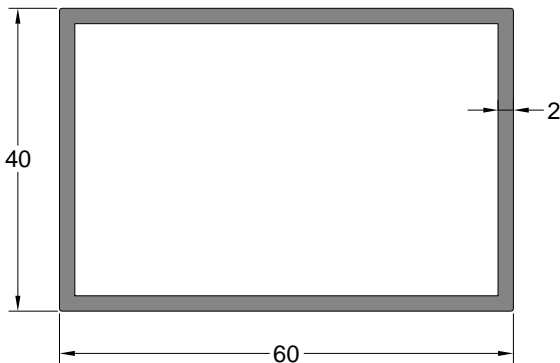
Ara Bölme Üst Kapak Profili	Profil Kodu	(kg/mt)
PARTITION TOP COVER PROFILE	Profile Code	Weight
	4095	0,533



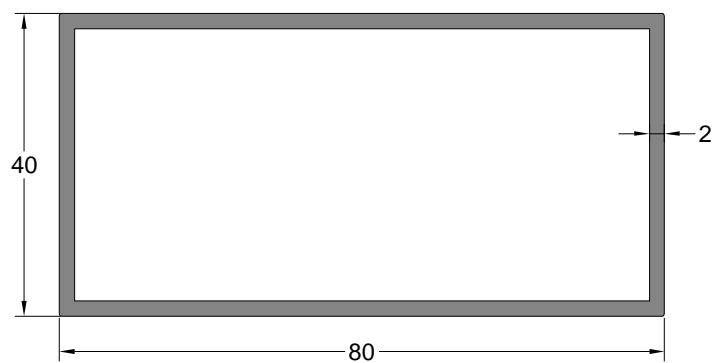
Ara Bölme Kapak Profili	Profil Kodu	(kg/mt)
PARTITION COVER PROFILE	Profile Code	Weight
	502	0,223



Ara Bölme Kapak Profili	Profil Kodu	(kg/mt)
PARTITION COVER PROFILE	Profile Code	Weight
	505	0,194



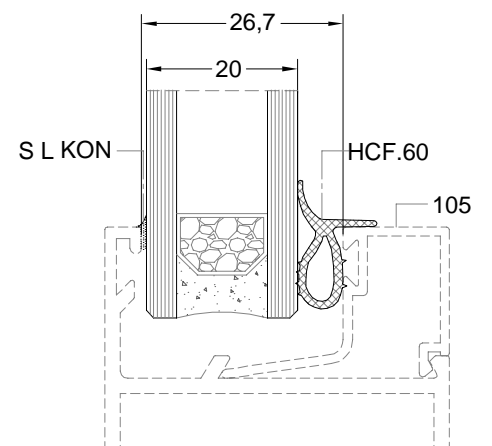
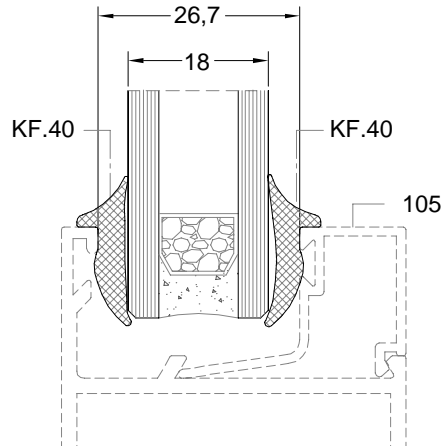
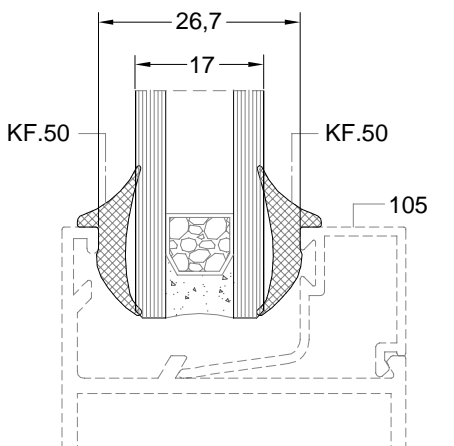
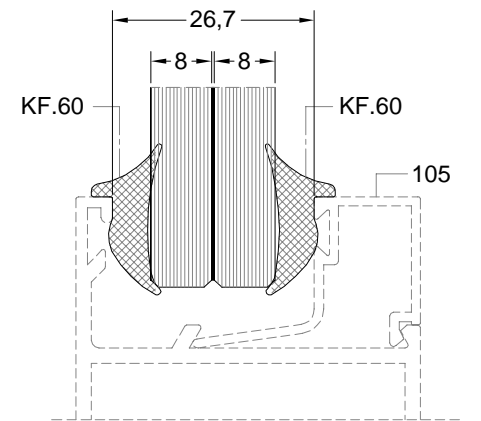
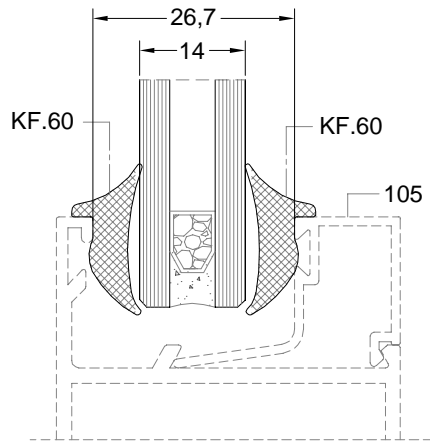
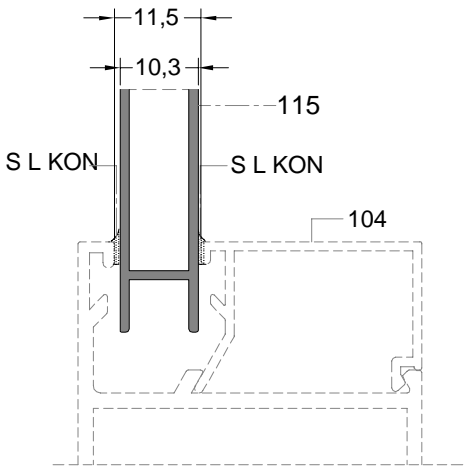
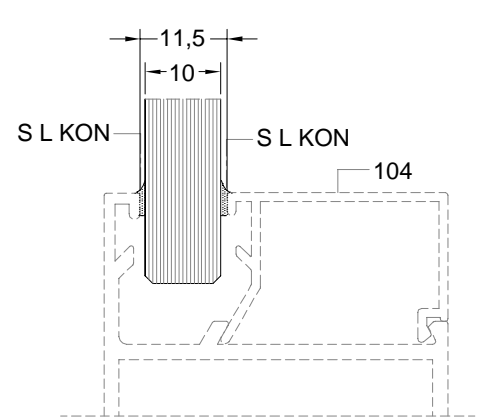
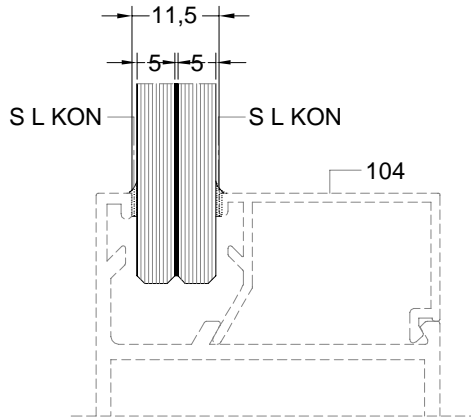
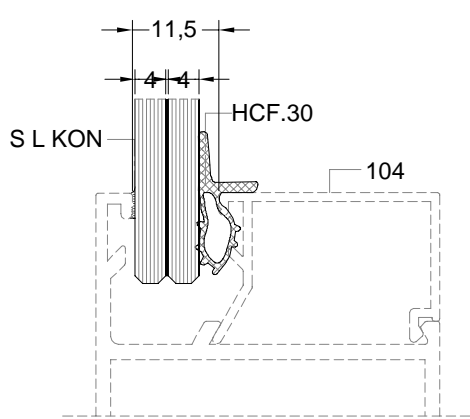
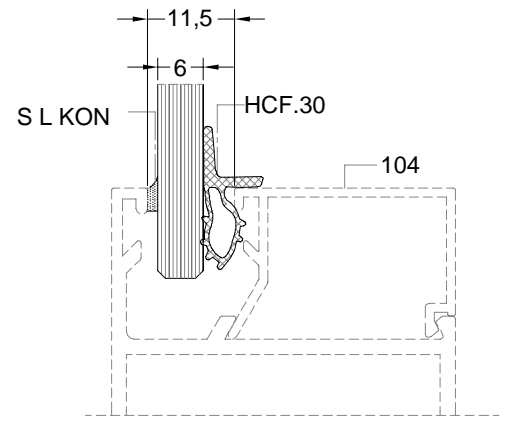
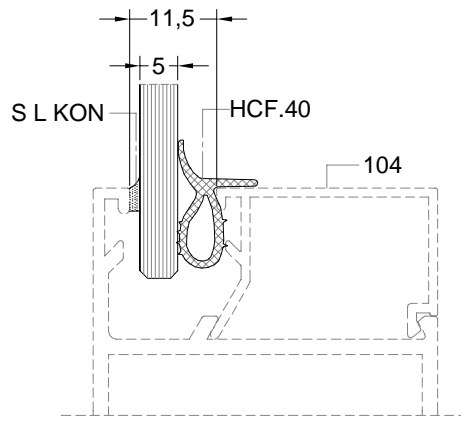
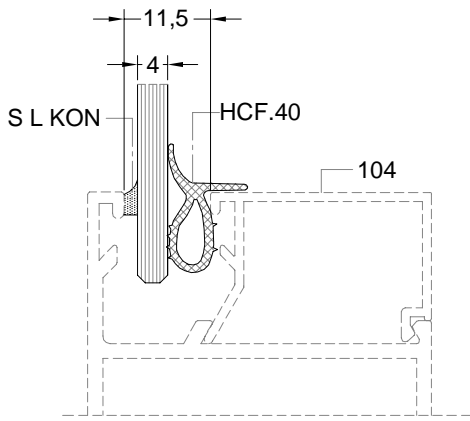
Kutu Profili	Profil Kodu	(kg/mt)
BOX PROFILE	Profile Code	Weight
	11121	1,040

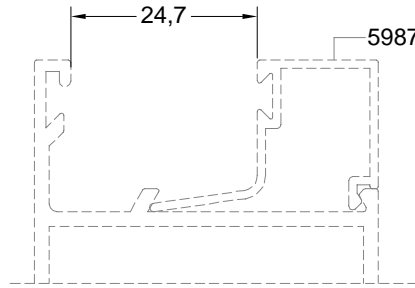
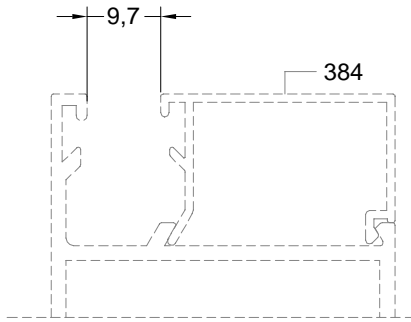
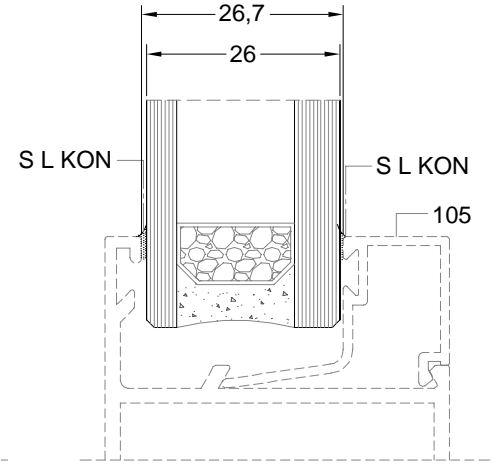
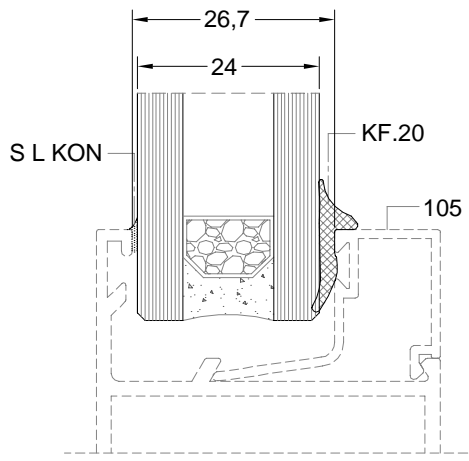
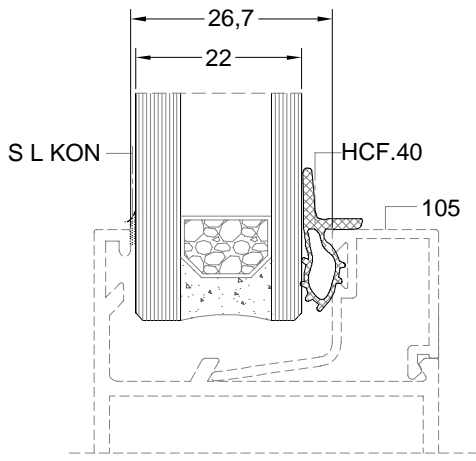


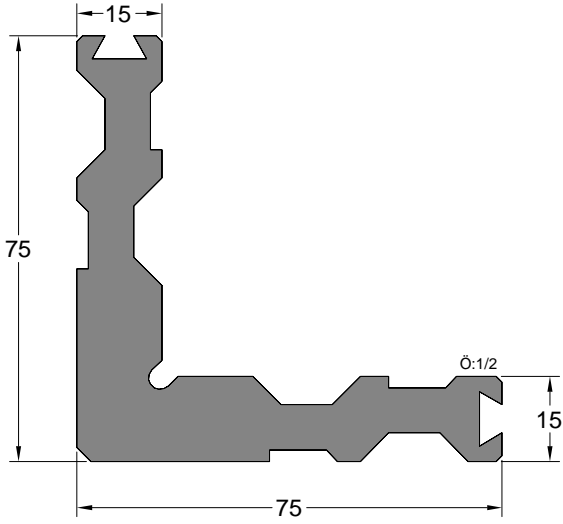
Kutu Profili	Profil Kodu	(kg/mt)
BOX PROFILE	Profile Code	Weight
	232	1,257

** Her profil için minimum sipari 300 kg'dır.
** Minimum order quantity is 300 kg per profile.

CAM ÇITASI GLAZING BEAD (G)	CAM ÇITASI UZUNLU Ğ GLAZING BEAD LENGTH (L)	Ç CAM F T L GLAZING GASKET(INSIDE) (İ)	CAM KALINLI Ğ GLASS THICKNESS (T)	DI CAM F T L GLAZING GASKET (OUTSIDE) (O)
104	23,36	HCF.40	4 mm	S L KON
104	23,36	HCF.40	5 mm	S L KON
104	23,36	HCF.30	6 mm	S L KON
104	23,36	S L KON	10,3 mm	S L KON
104	23,36	HCF.30	8 mm	S L KON
104	23,36	S L KON	10 mm	S L KON
104	23,36	S L KON	10 mm	S L KON
105	14	KMF.06	14 mm	KMF.06
105	14	KMF.06	16 mm	KMF.06
105	14	KMF.05	17 mm	KMF.05
105	14	KMF.04	18 mm	KMF.04
105	14	HCF.60	20 mm	S L KON
105	14	HCF.40	22 mm	S L KON
105	14	KMF.02	24 mm	S L KON
105	14	S L KON	26 mm	S L KON

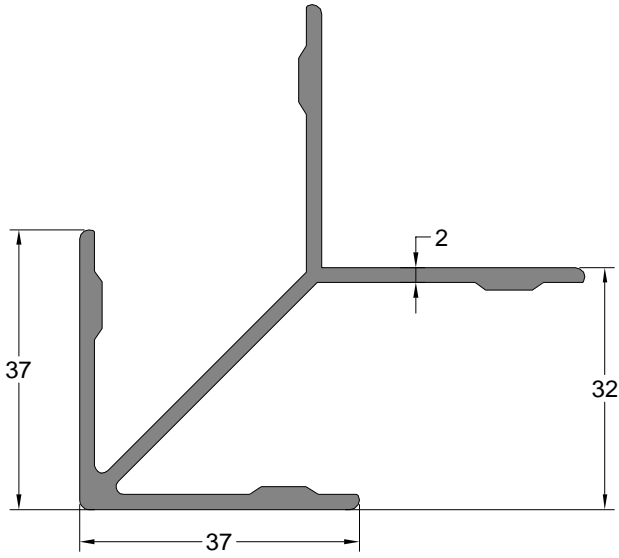






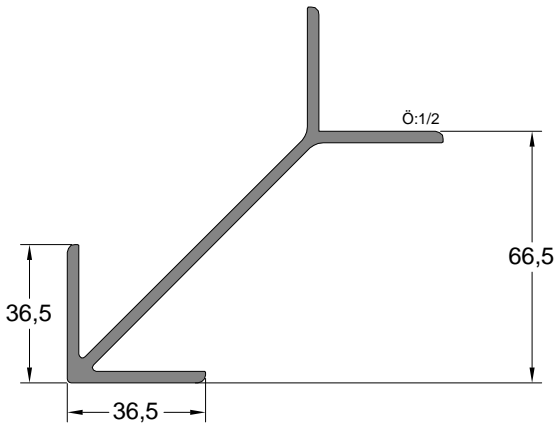
Köşe Takoz Profili	Profil Kodu	(kg/mt)
CORNER WEDGE PROFILE	Profile Code	Weight
	414	4,298

Köşe Takozu Profil Kodu	Kullanıldığı Profil	Kesim Boyu (mm)
Corner Wedge Profile Code	Compatible Profile	Cutting Length (mm)
414	178	42,80 mm
	179	42,80 mm
	180	42,80 mm
	624	42,00 mm
	625	42,00 mm
	626	42,00 mm



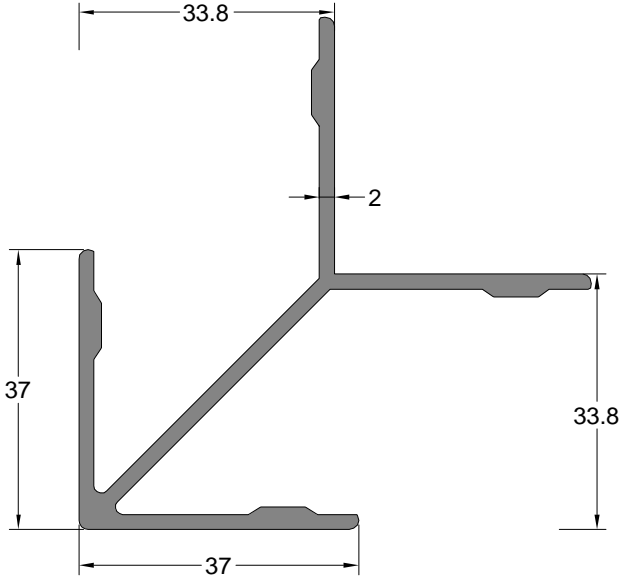
Köşe Çavuş Bağlantı Profili	Profil Kodu	(kg/mt)
CORNER JOINT PROFILE	Profile Code	Weight
	383	1,075

Köşe Çavuş Bağlantı Profil Kodu	Kullanıldığı Profil	Kesim Boyu (mm)
Corner Joint Profile Code	Compatible Profile	Cutting Length (mm)
383	340	41,00 mm
	341	41,00 mm
	342	41,00 mm



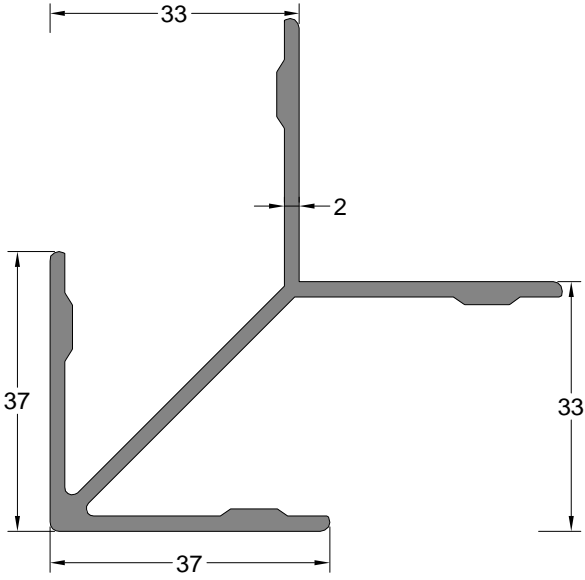
Köşe Çavuş Bağlantı Profili	Profil Kodu	(kg/mt)
CORNER JOINT PROFILE	Profile Code	Weight
	190	1,816

Köşe Çavuş Bağlantı Profil Kodu	Kullanıldığı Profil	Kesim Boyu (mm)
Corner Joint Profile Code	Compatible Profile	Cutting Length (mm)
190	185	42,00 mm
	198	42,00 mm



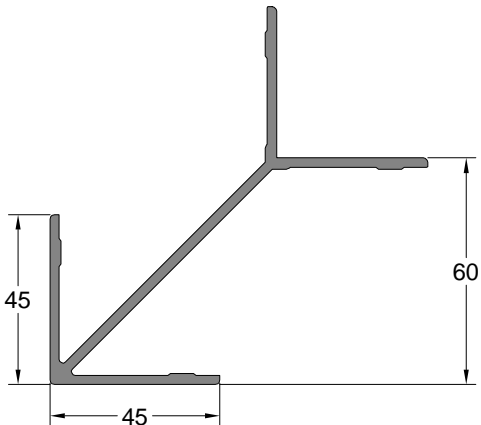
Köşe Çavuş Başı Profili CORNER JOINT PROFILE	Profil Kodu Profile Code	(kg/mt) Weight
	151	1,081

Köşe Takozu Profil Kodu Corner Wedge Profile Code	Kullanıldığı Profil Compatible Profile	Kesim Boyu (mm) Cutting Length(mm)
151	20181	42,80 mm
	20182	42,80 mm
	20183	42,80 mm
	181	42,60 mm
	183	42,60 mm



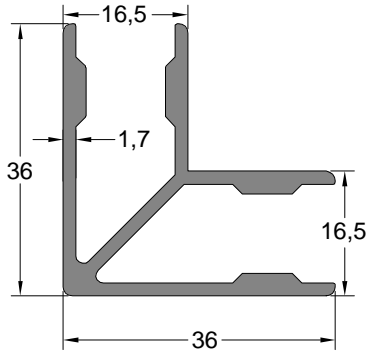
Köşe Çavuş Başı Profili CORNER JOINT PROFILE	Profil Kodu Profile Code	(kg/mt) Weight
	381	1,083

Köşe Takozu Profil Kodu Corner Wedge Profile Code	Kullanıldığı Profil Compatible Profile	Kesim Boyu (mm) Cutting Length(mm)
381	401	42,00 mm
	402	42,00 mm
	403	42,00 mm



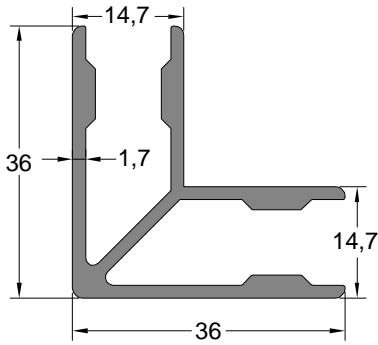
Köşe Çavuş Başı Profili CORNER JOINT PROFILE	Profil Kodu Profile Code	(kg/mt) Weight
	607	1,729

Köşe Takozu Profil Kodu Corner Wedge Profile Code	Kullanıldığı Profil Compatible Profile	Kesim Boyu (mm) Cutting Length(mm)
607	424	42,00 mm



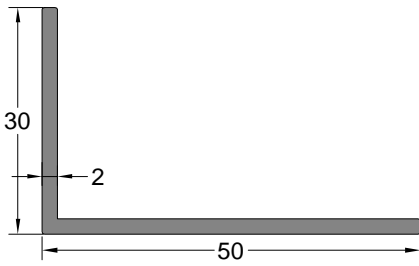
Köşe Çavuş Bağlantı Profil Kodu Corner Joint Profile Code	Kullanıldığı Profil Compatible Profile	Kesim Boyu (mm) Cutting Length (mm)
152	178	42,80 mm
	179	42,80 mm
	180	42,80 mm

Köşe Çavuş Bağlantı Profili CORNER JOINT PROFILE	Profil Kodu Profile Code	(kg/mt) Weight
	152	0,710



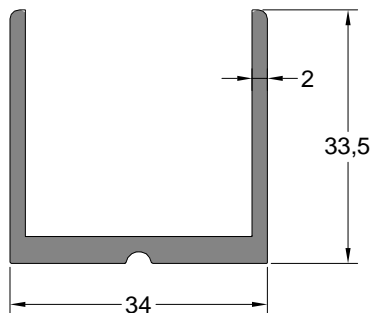
Köşe Çavuş Bağlantı Profil Kodu Corner Joint Profile Code	Kullanıldığı Profil Compatible Profile	Kesim Boyu (mm) Cutting Length (mm)
295	337	41,00 mm
	338	41,00 mm
	339	41,00 mm

Köşe Çavuş Bağlantı Profili CORNER JOINT PROFILE	Profil Kodu Profile Code	(kg/mt) Weight
	295	0,715



L Profil Kodu L Profile Code	Kullanıldığı Profil Compatible Profile
4848	501
	504
	8473
	3949

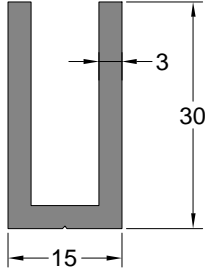
L Profili L PROFILE	Profil Kodu Profile Code	(kg/mt) Weight
	4848	0,422



Geniş U-Bağlantı Profil Kodu Wide U-Connector Profile Code	Kullanıldığı Profil Compatible Profile	Kesim Boyu (mm) Cutting Length (mm)
225	182	42,60 mm
	341	42,60 mm

Geniş U-Bağlantı Profili WIDE U-CONNECTION PROFILE	Profil Kodu Profile Code	(kg/mt) Weight
	225	0,635

** Her profil için minimum sipari 300 kg'dır.
** Minimum order quantity is 300 kg per profile.



Dar U Ba lantı Profili	Profil Kodu	(kg/mt)
NARROW U-CONNECTION PROFILE	Profile Code	Weight
	140	0,635

Dar U-Bağlantı Profil Kodu	Kullanıldığı Profil	Kesim Boyu (mm)
Narrow U-Connection Profile Code	Compatible Profile	Cutting Length (mm)
140	179	41,00 mm
	338	41,00 mm



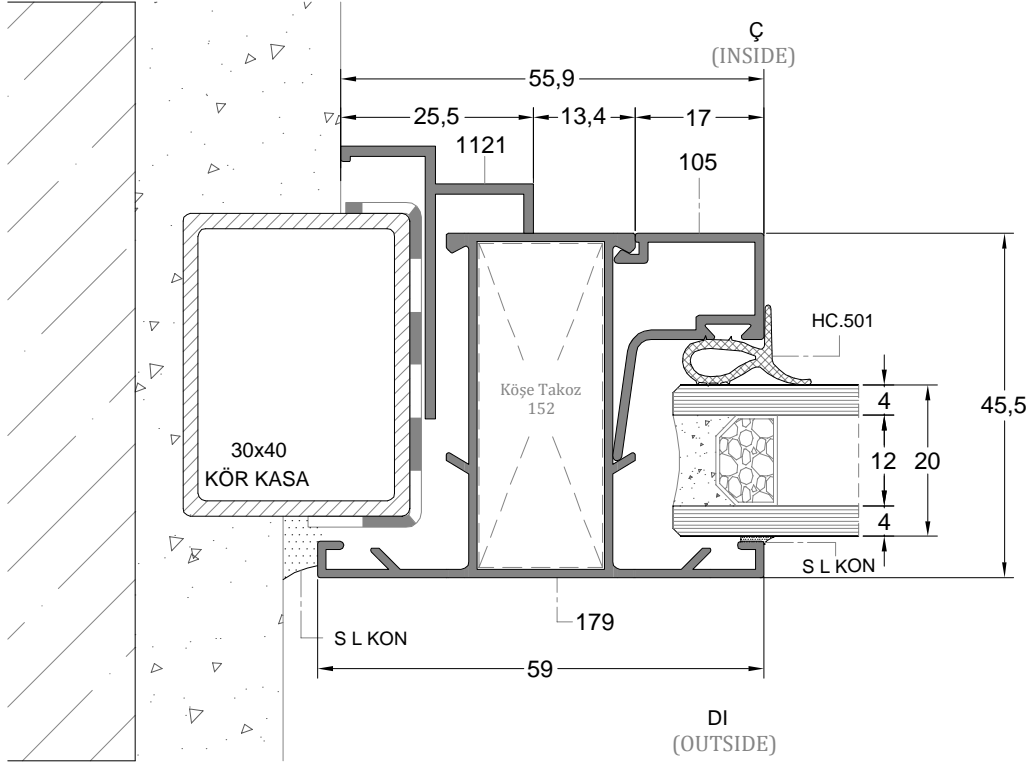
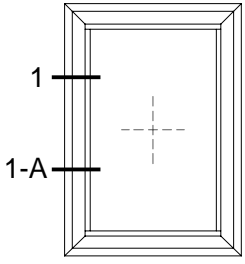
Dar U Ba lantı	Aksesuar Kodu
NARROW U-CONNECTION	Accessories Code
	01 130207

Ürün Kodu (Sac)	Kullanıldığı Profil	Kullanılan Miktar
Product Code (Sheet)	Compatible Profile	Used Quantity
01 130207	179	1 adet
	625	1 adet
	338	1 adet

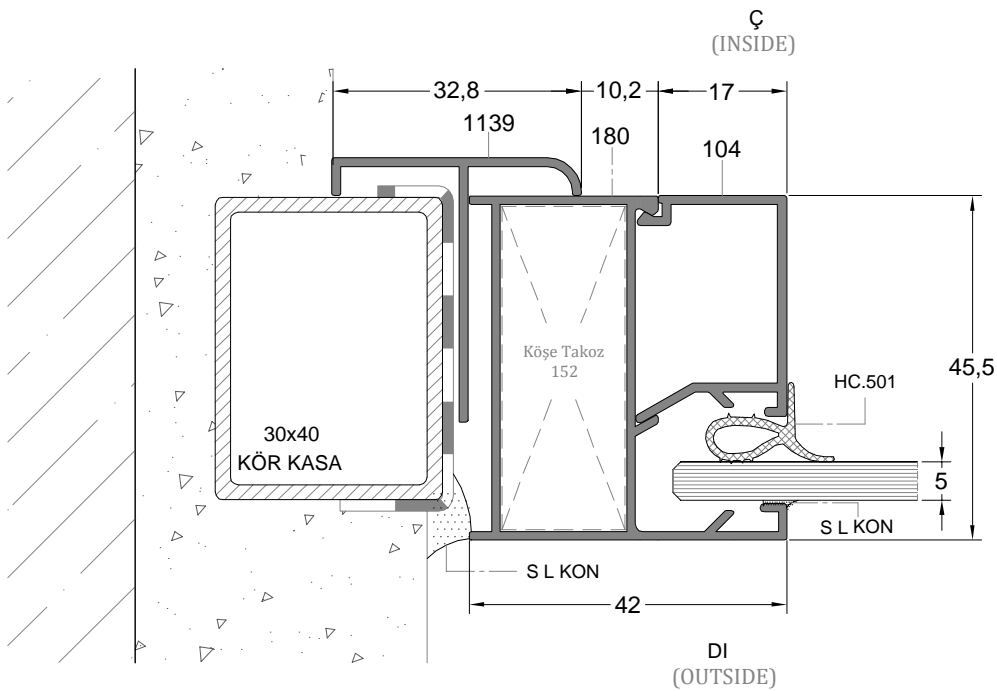


Geni U Ba lantı	Aksesuar Kodu
LARGE U-CONNECTION	Accessories Code
	01 130210

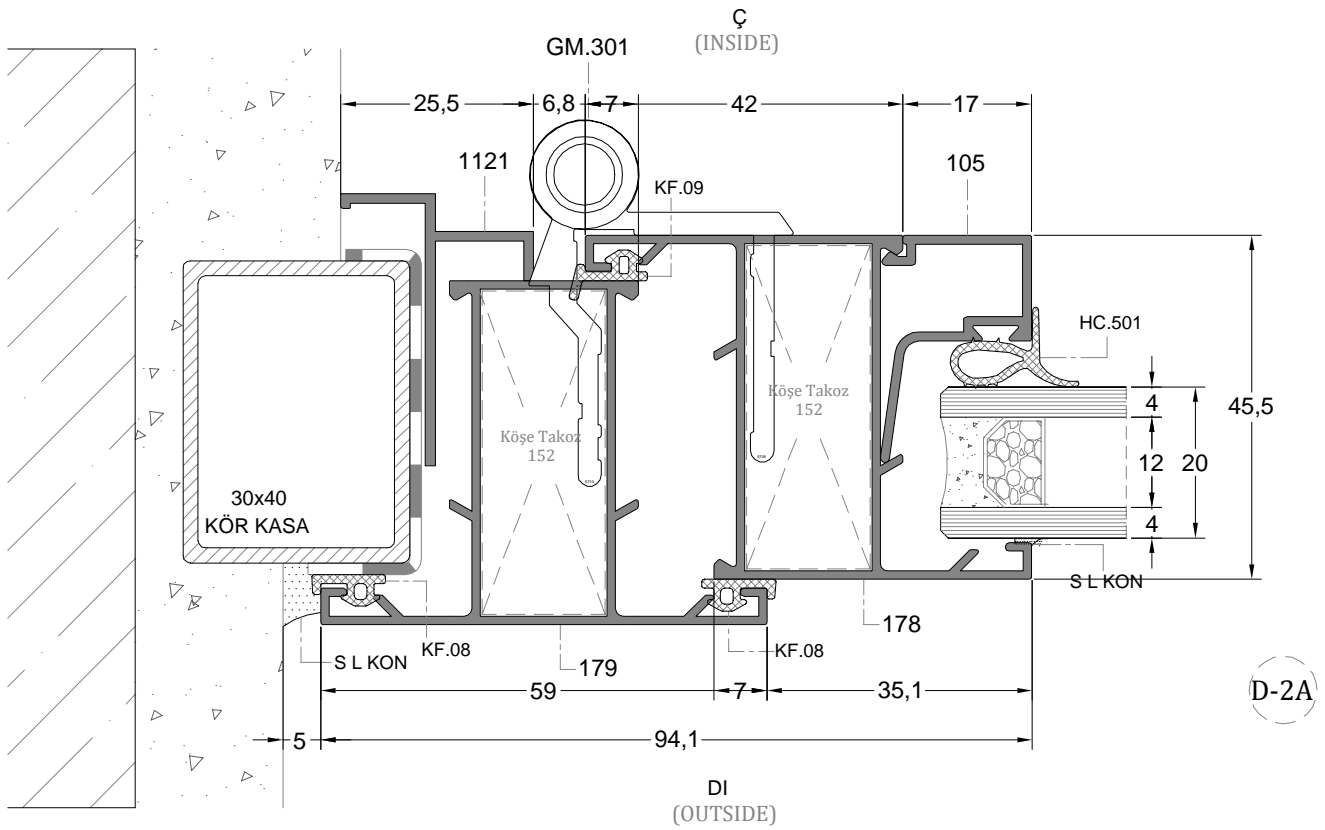
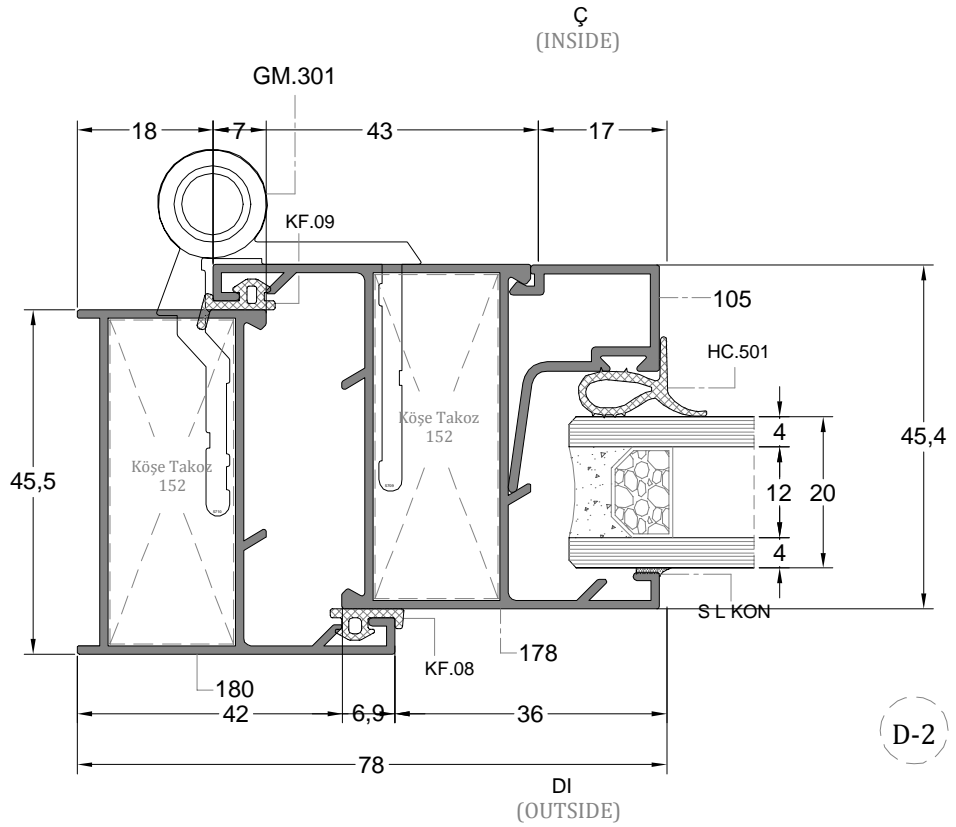
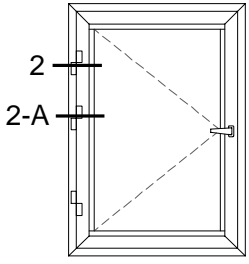
Ürün Kodu (Sac)	Kullanıldığı Profil	Kullanılan Miktar
Product Code (Sheet)	Compatible Profile	Used Quantity
01 130210	20182	1 adet
	182	1 adet
	402	1 adet
	341	1 adet
	185	2 adet
	186	2 adet

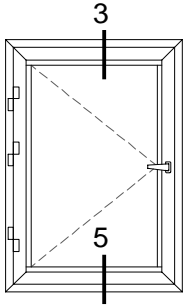


D-1

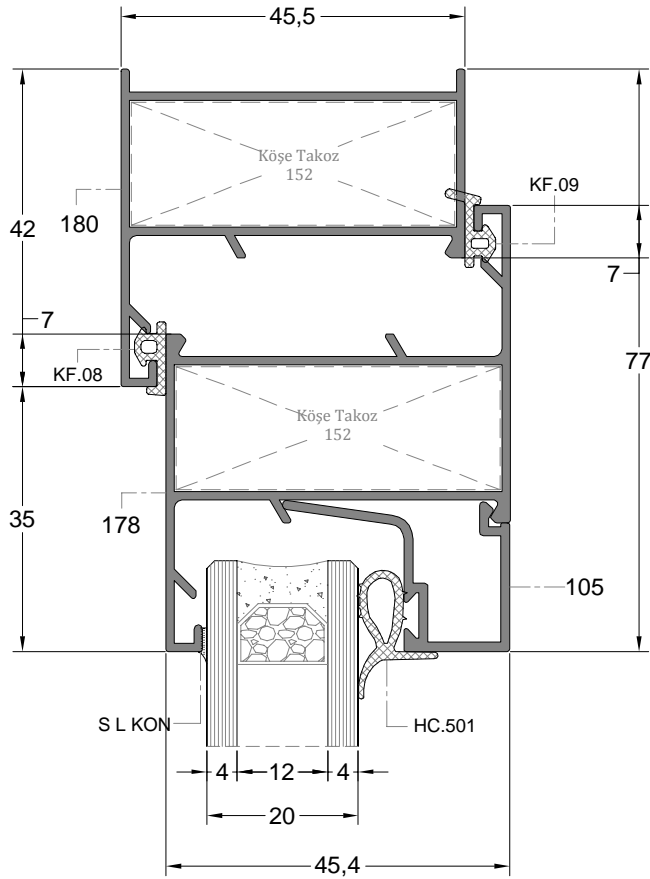


D-1A





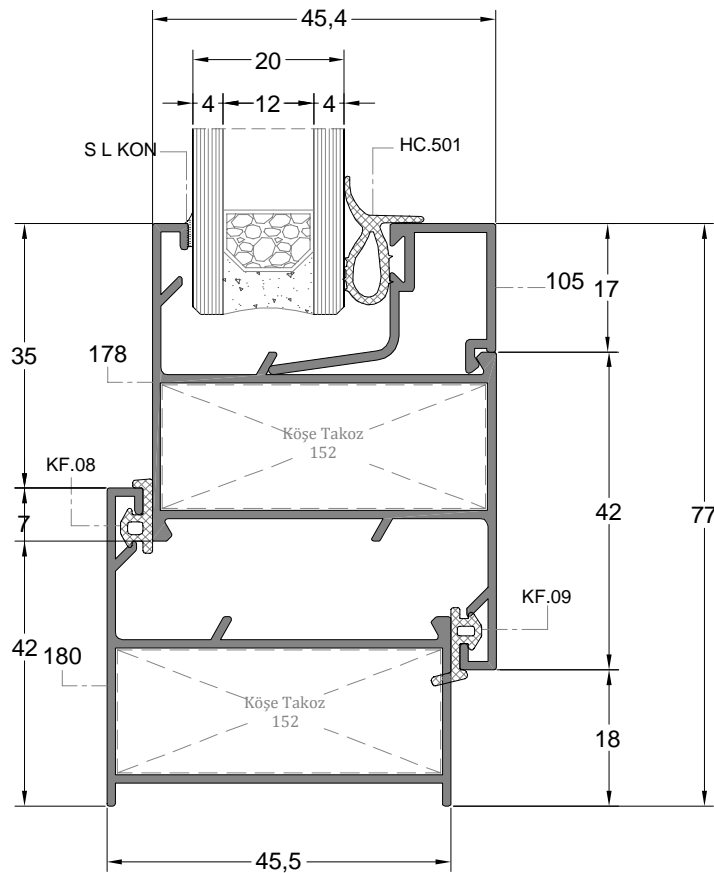
DI
(OUTSIDE)



Ç
(INSIDE)

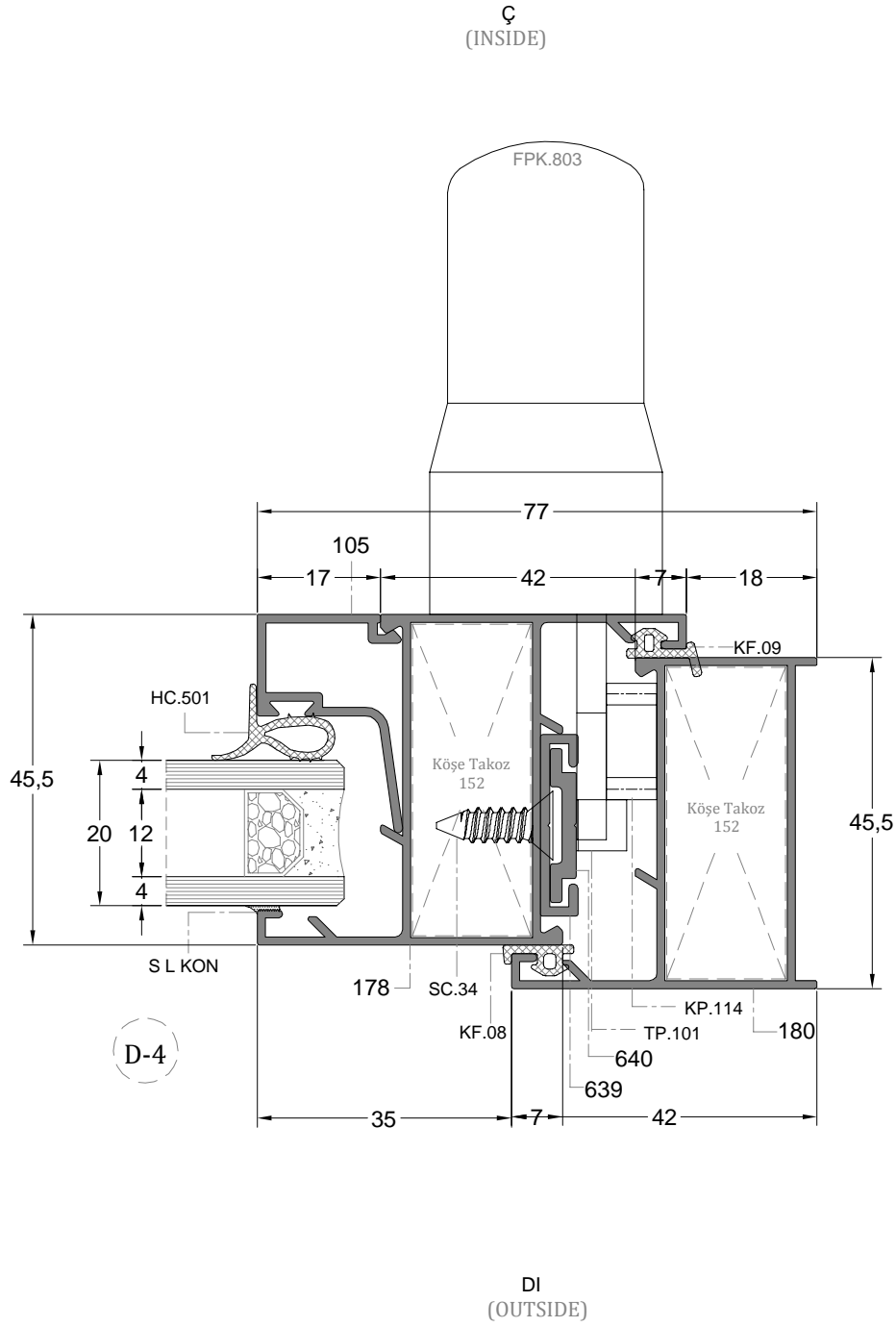
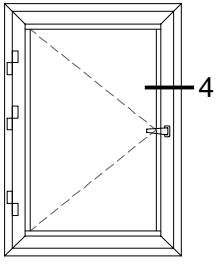
D-3

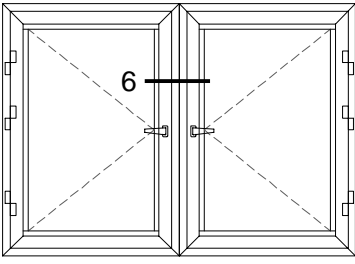
DI
(OUTSIDE)



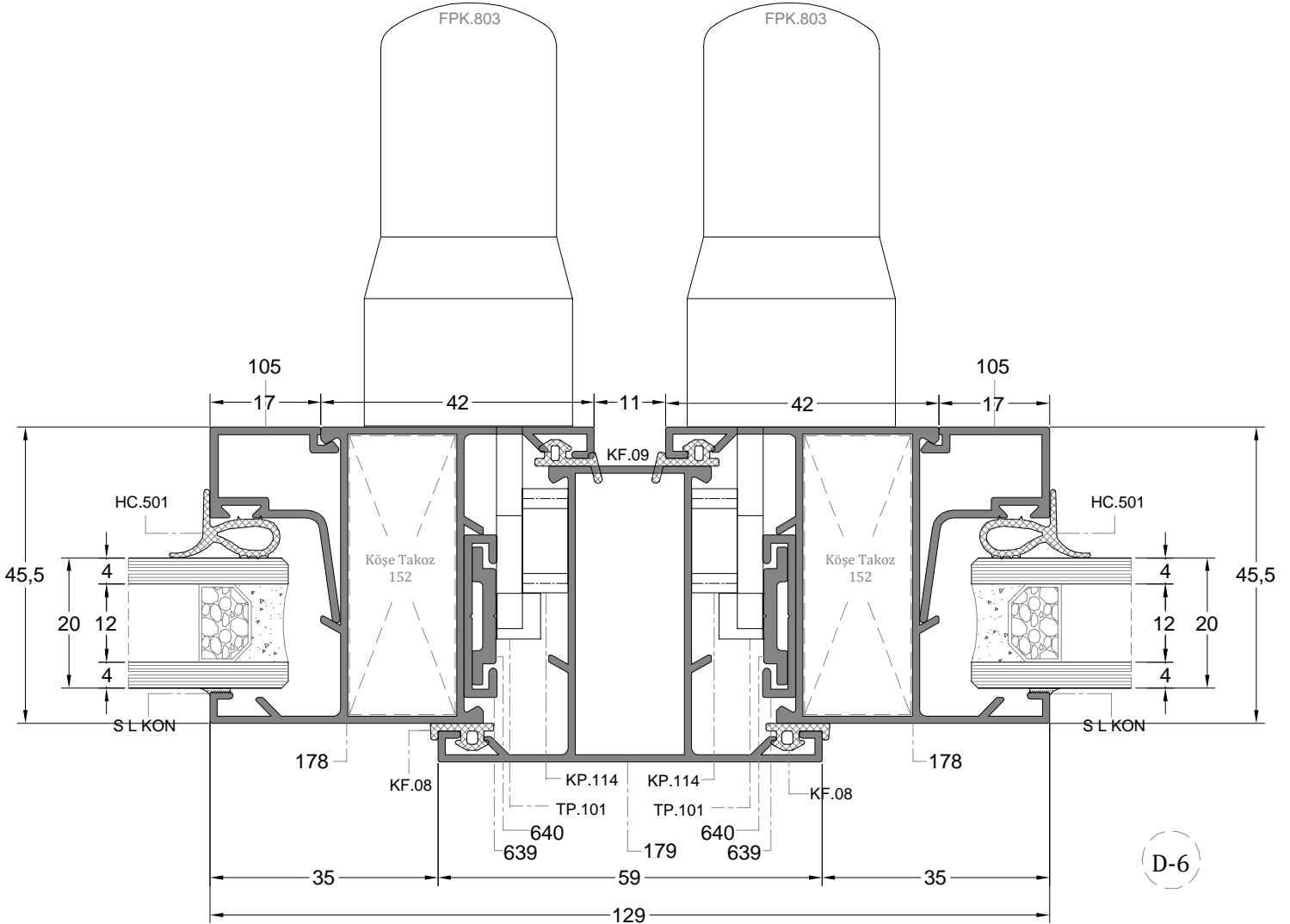
Ç
(INSIDE)

D-5

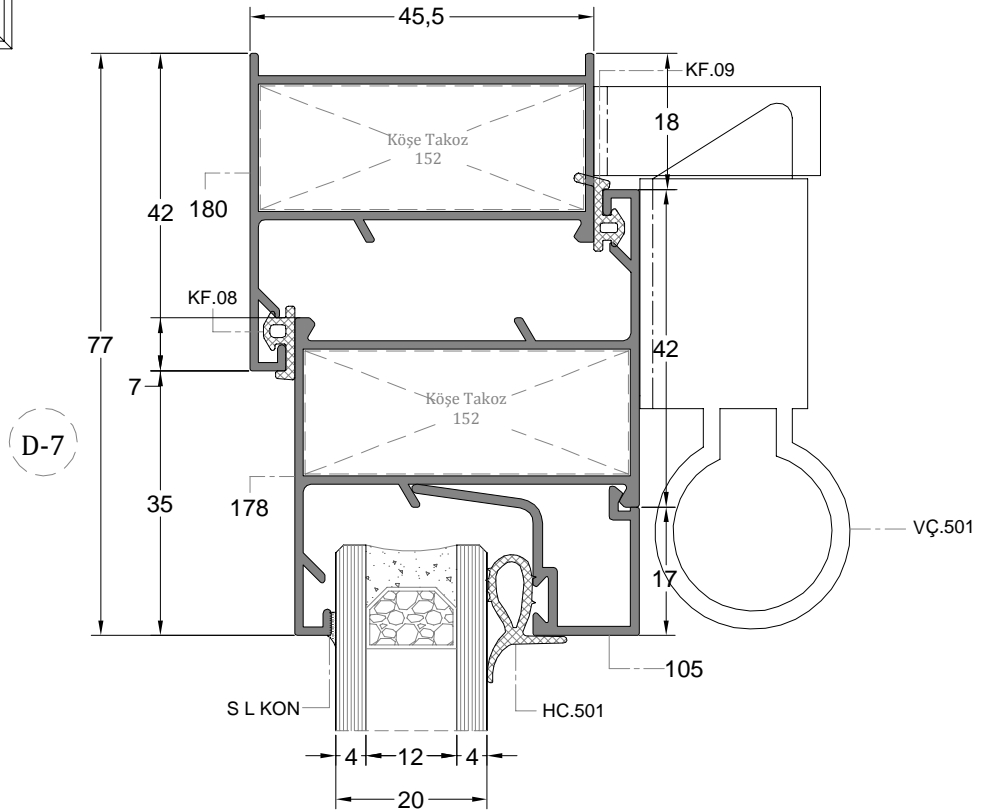
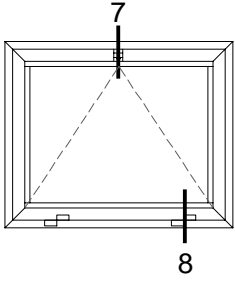




Ç
(INSIDE)

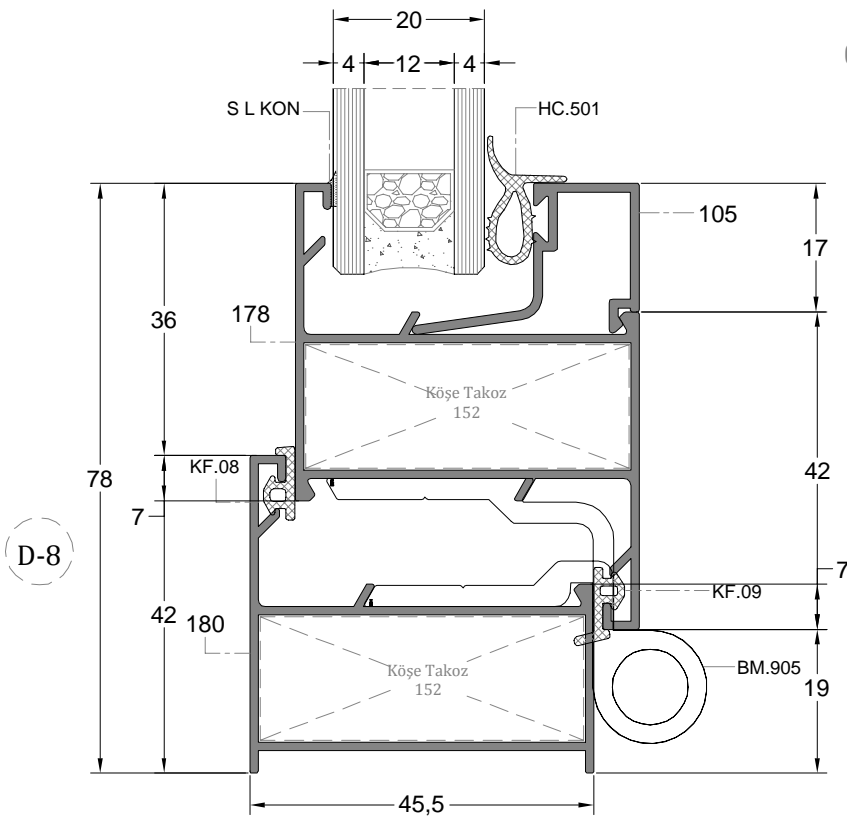


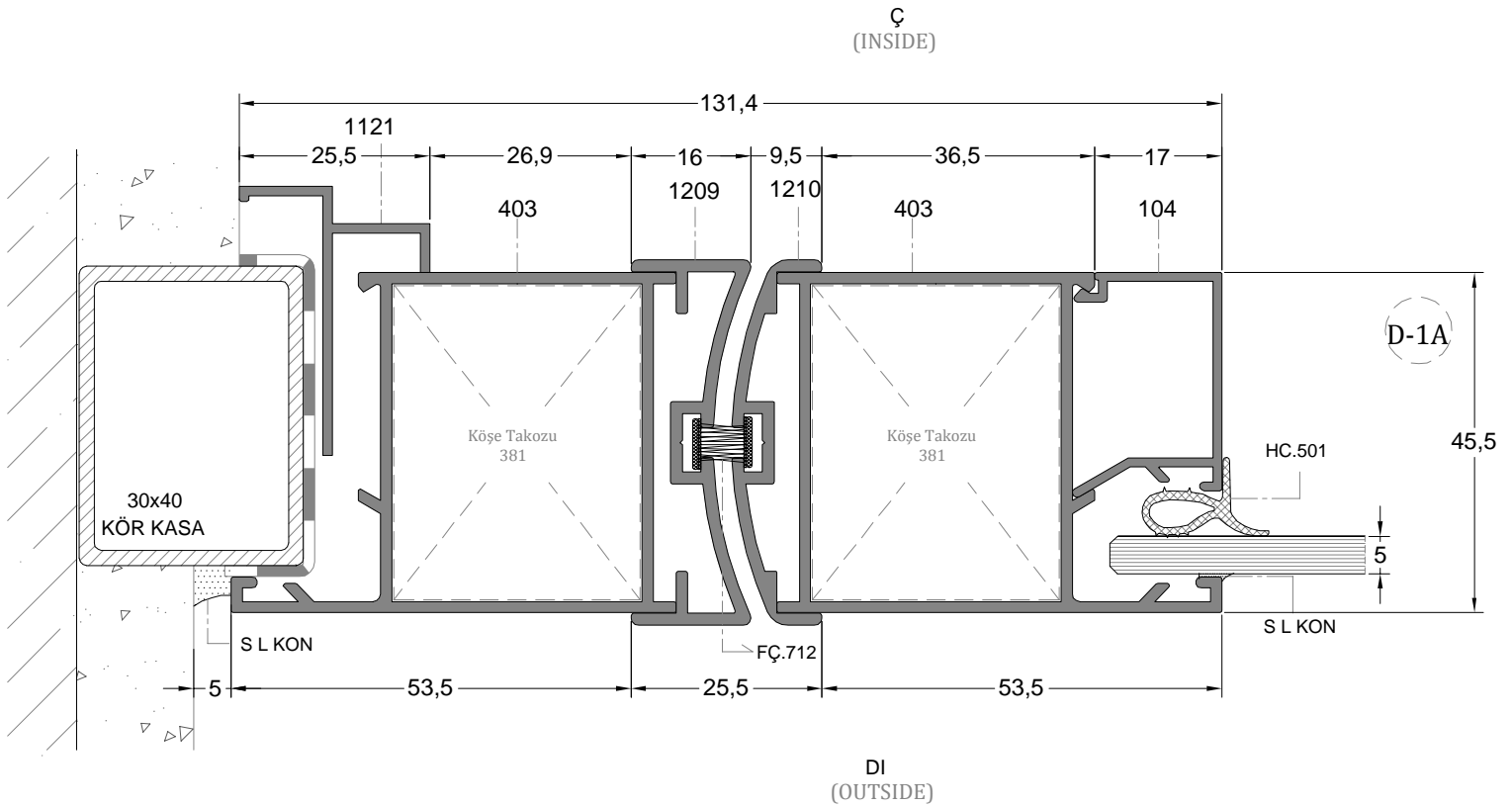
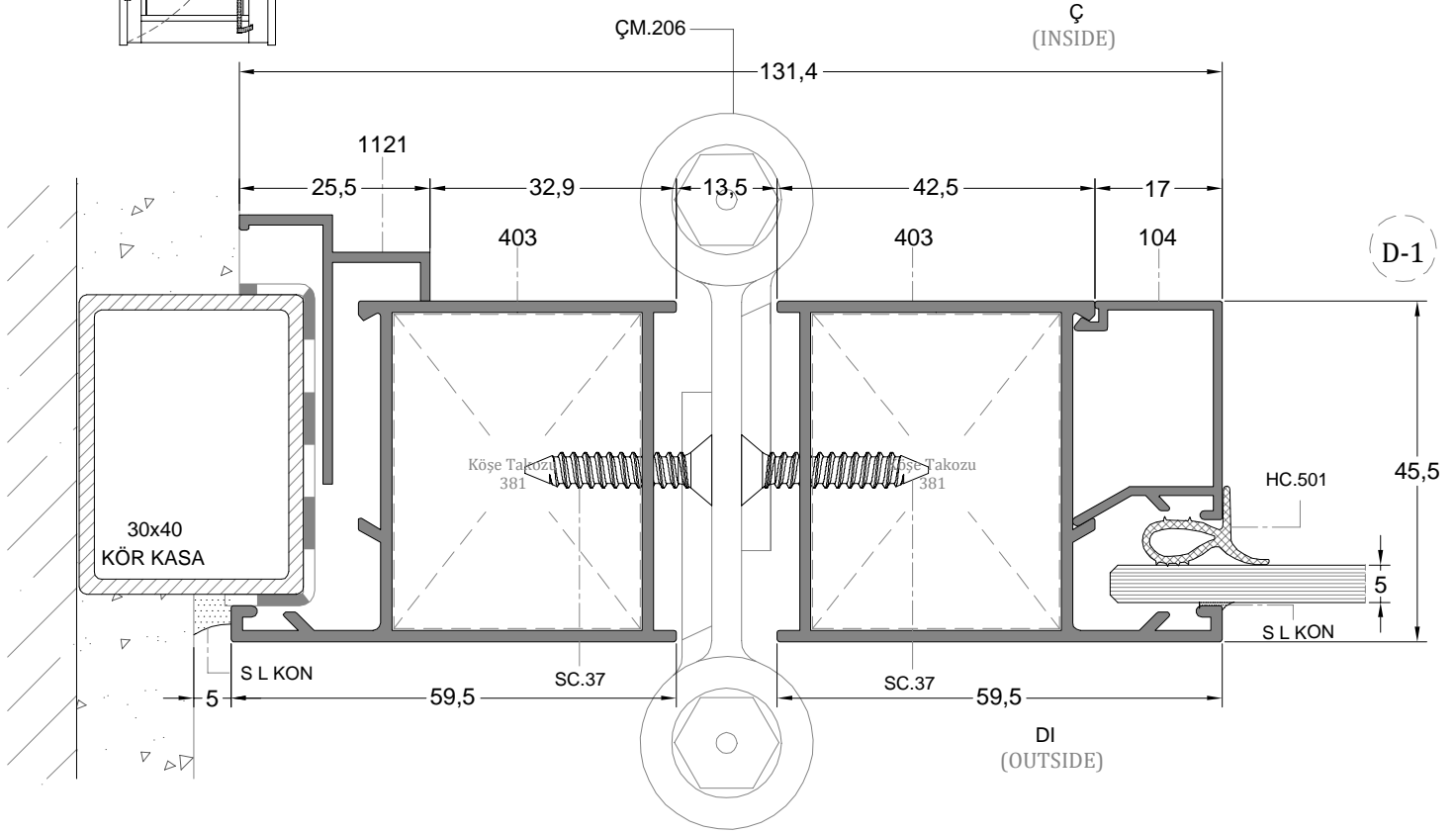
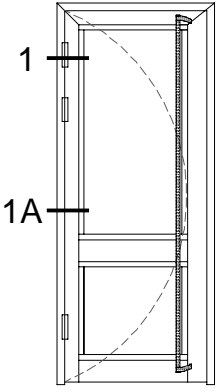
DI
(OUTSIDE)

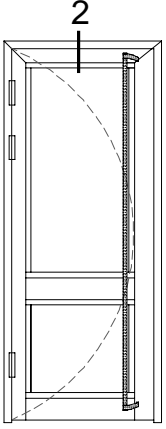


DI
(OUTSIDE)

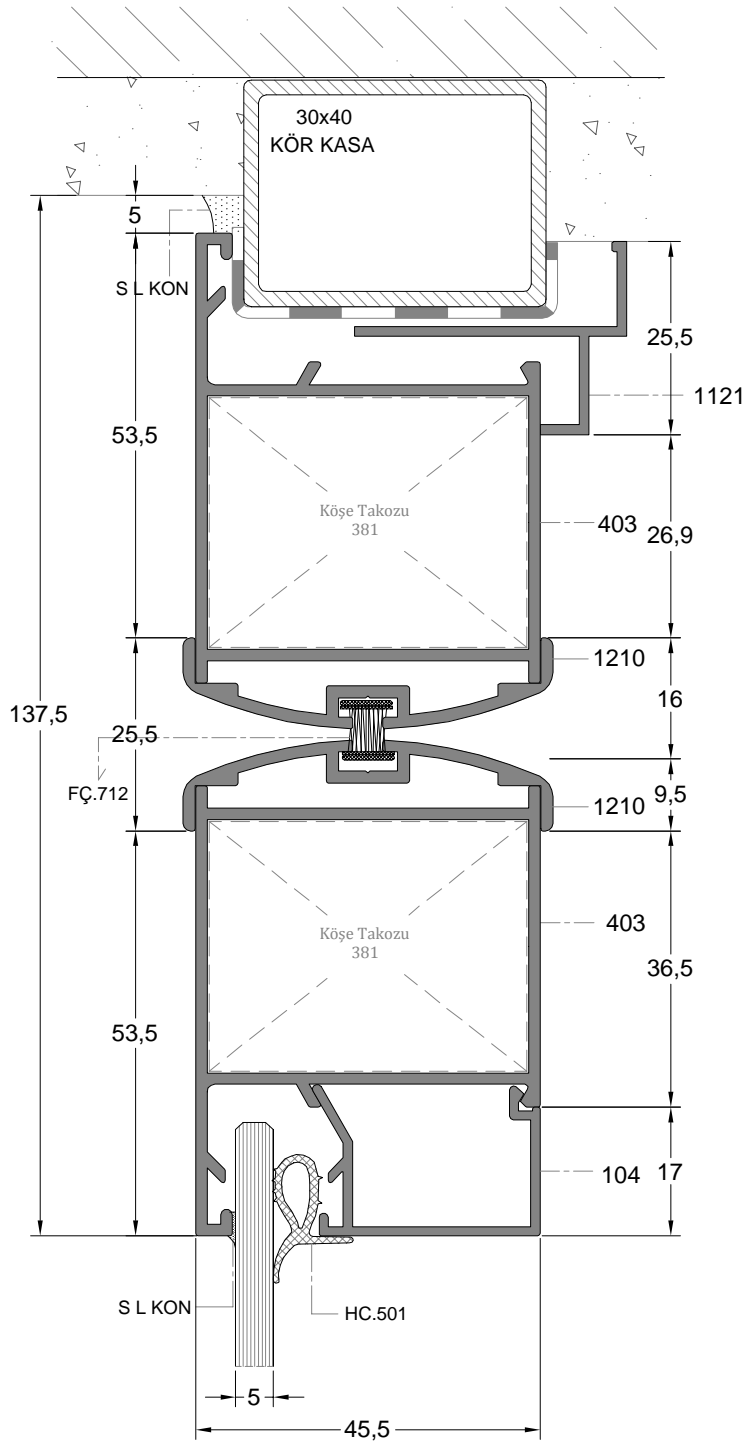
Ç
(INSIDE)





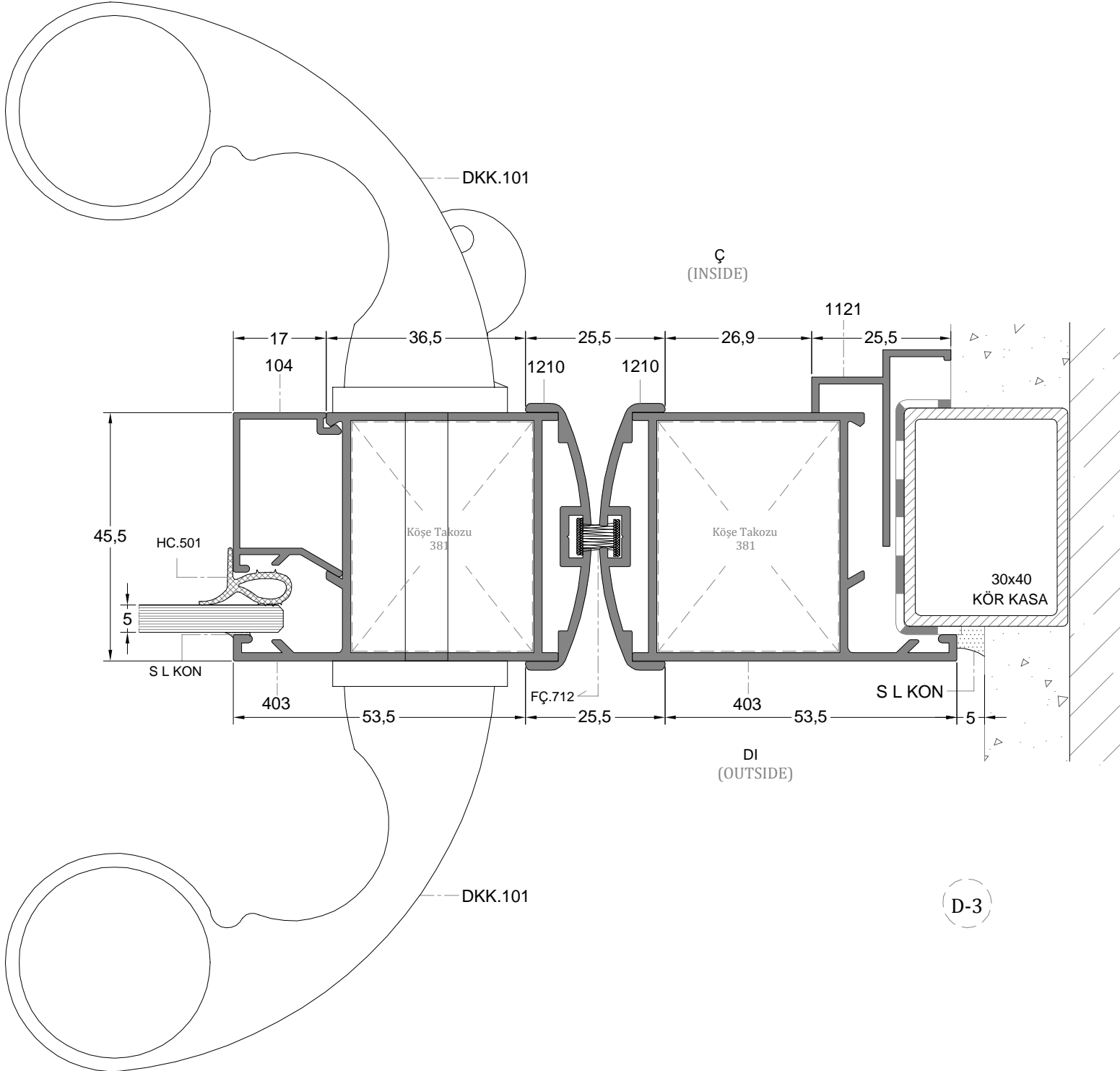
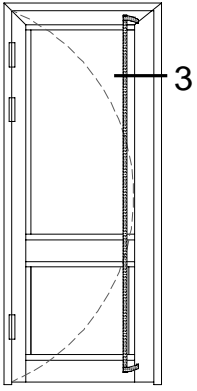


DI
(OUTSIDE)

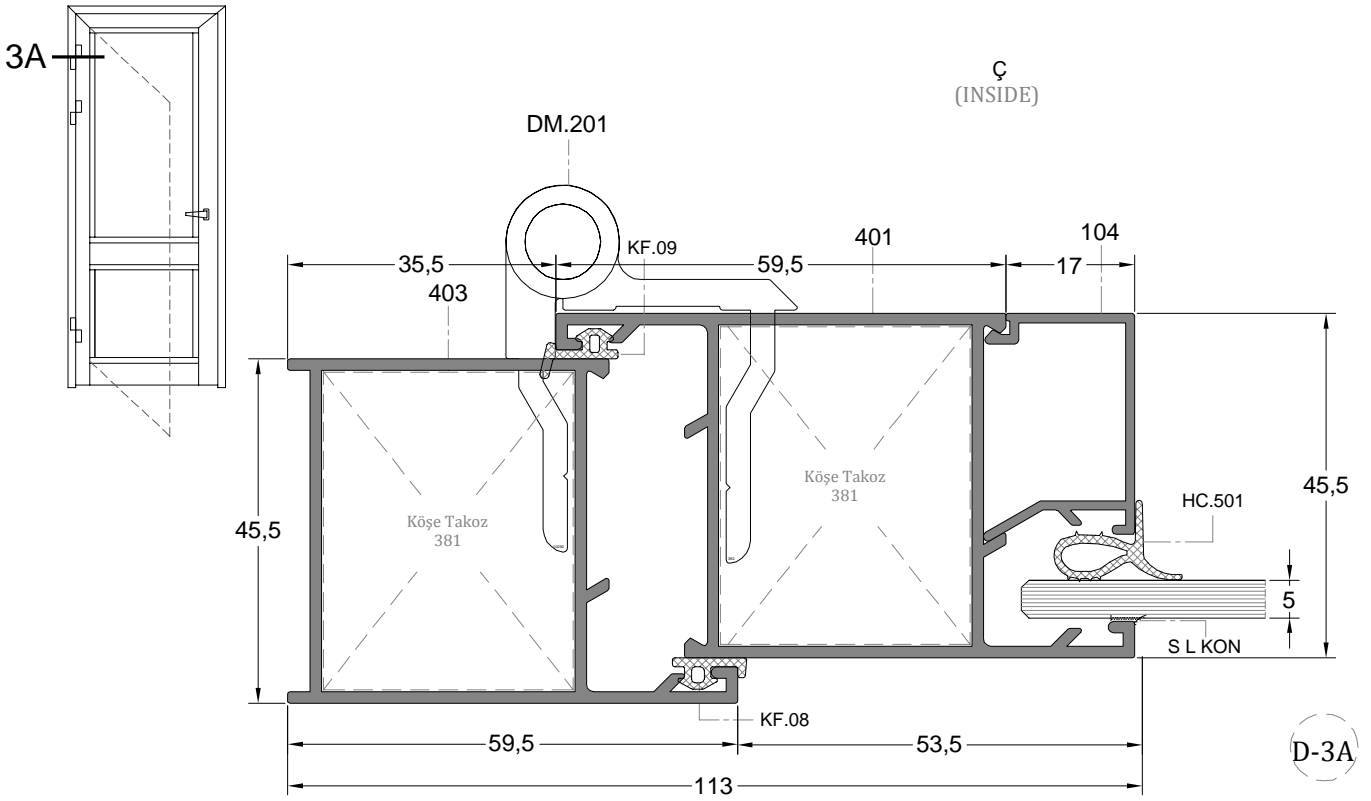


Ç
(INSIDE)

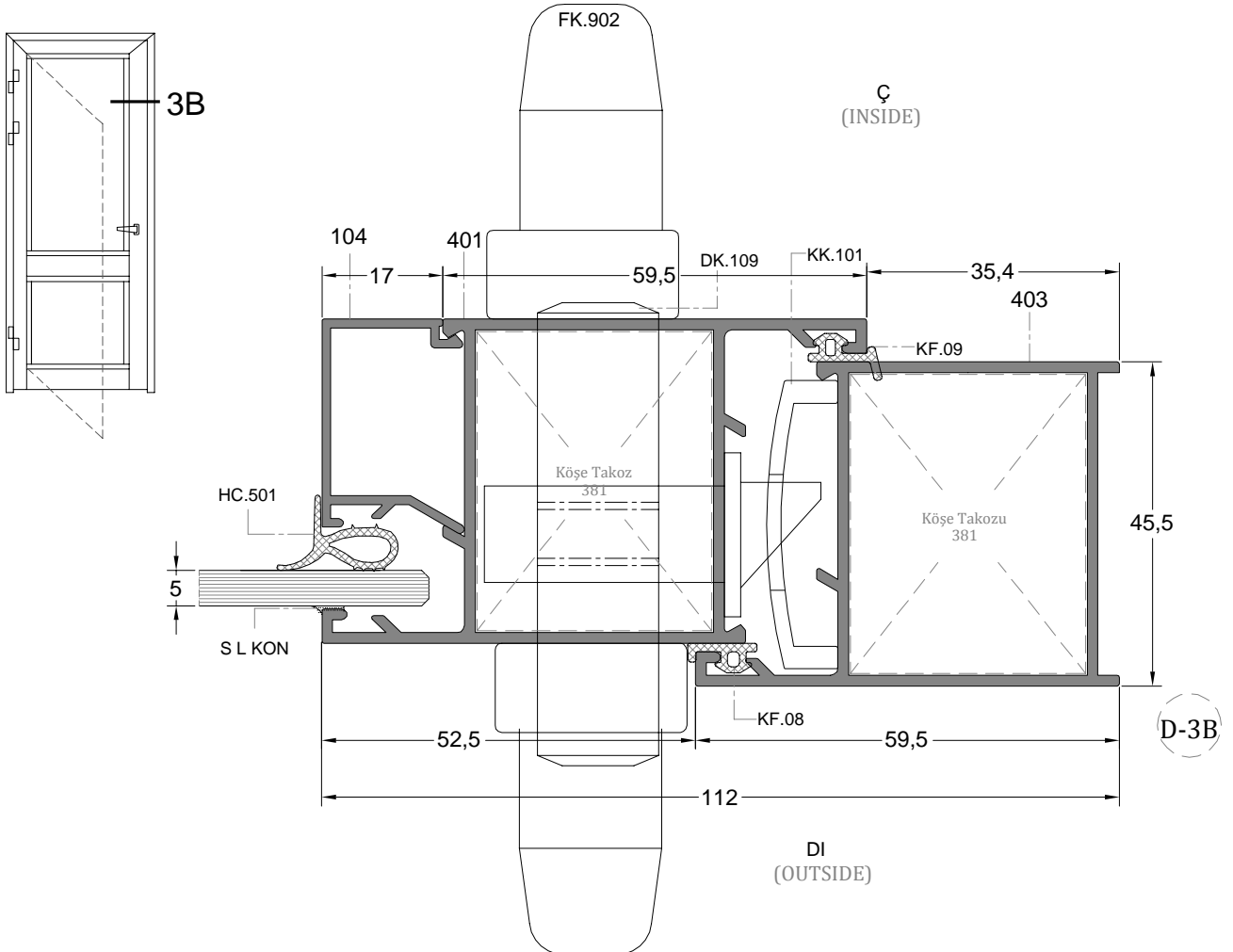
D-2

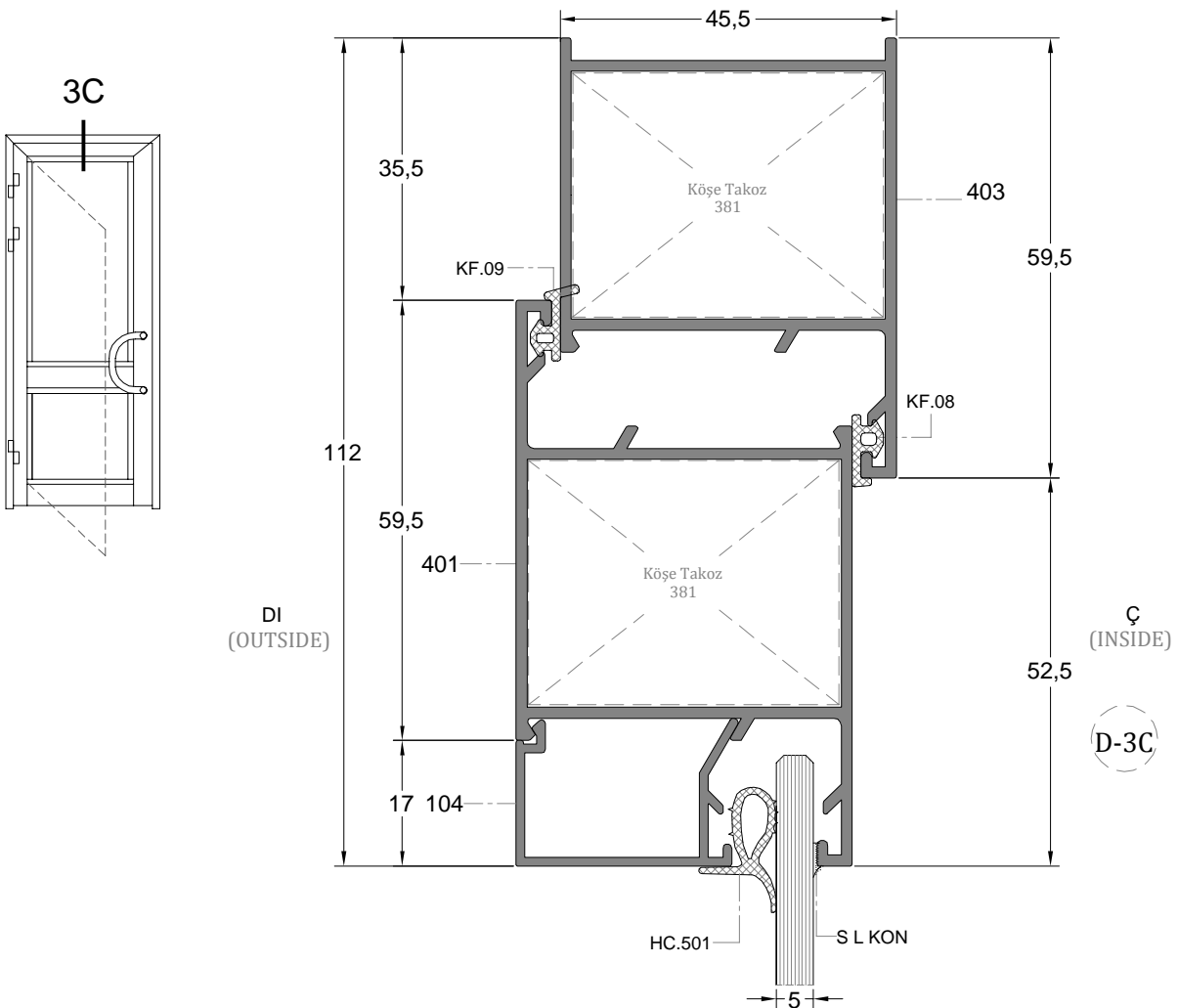
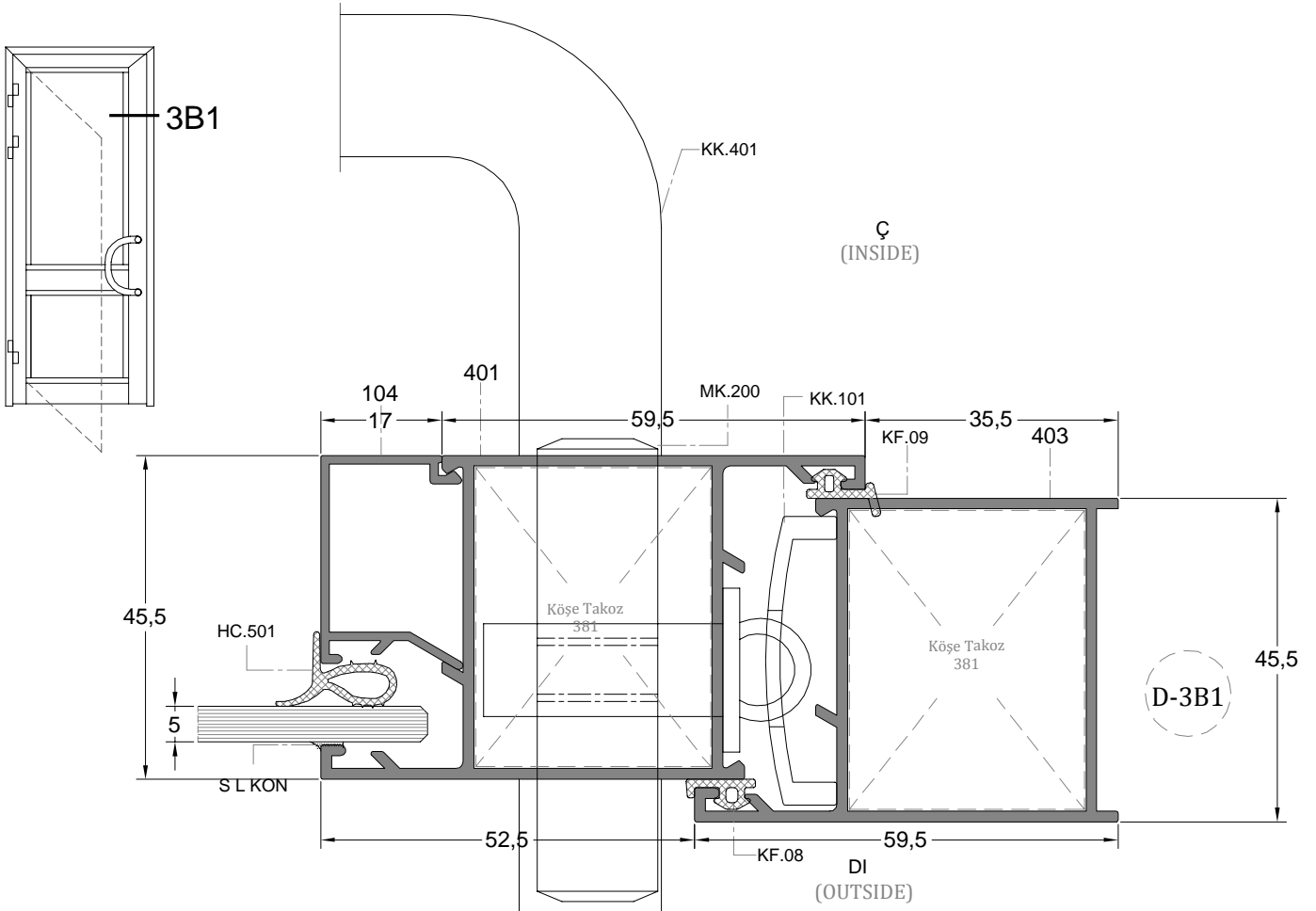


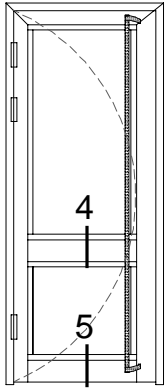
D-3



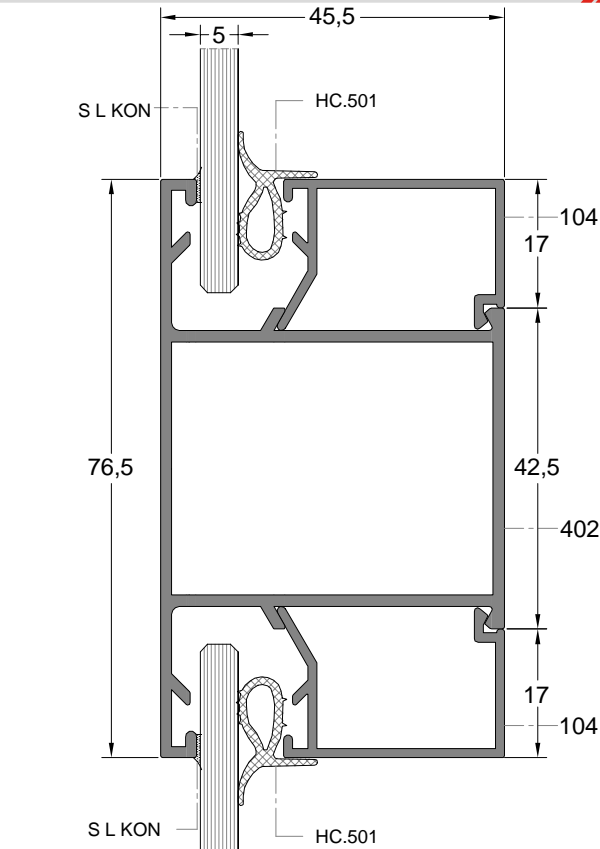
DI
(OUTSIDE)





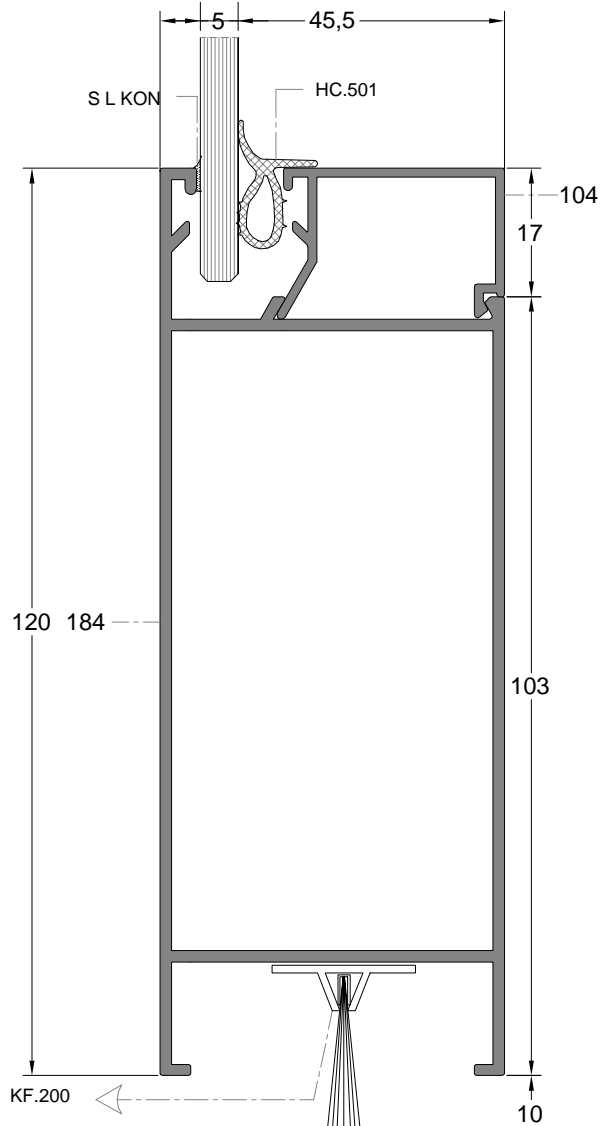


D1
(OUTSIDE)



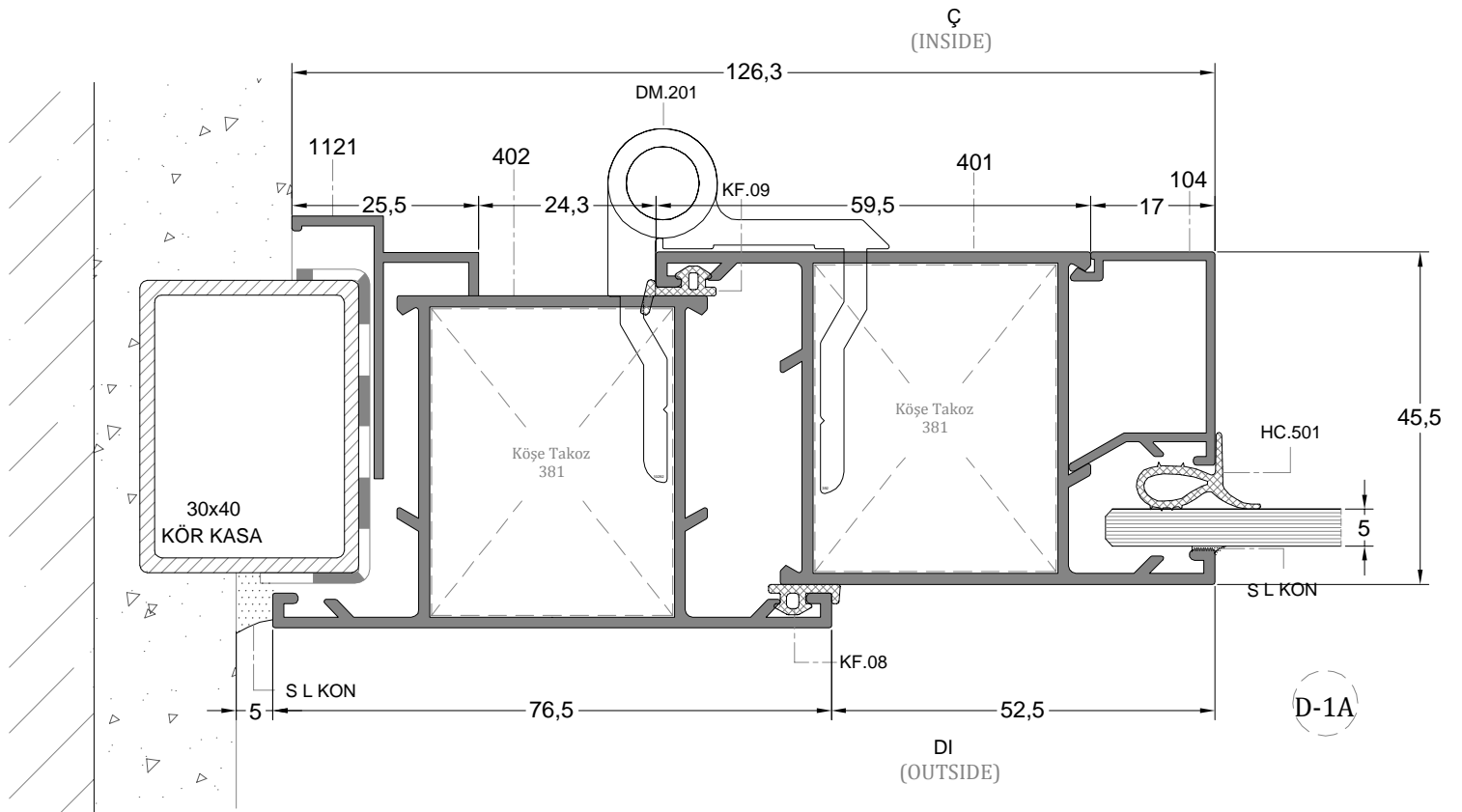
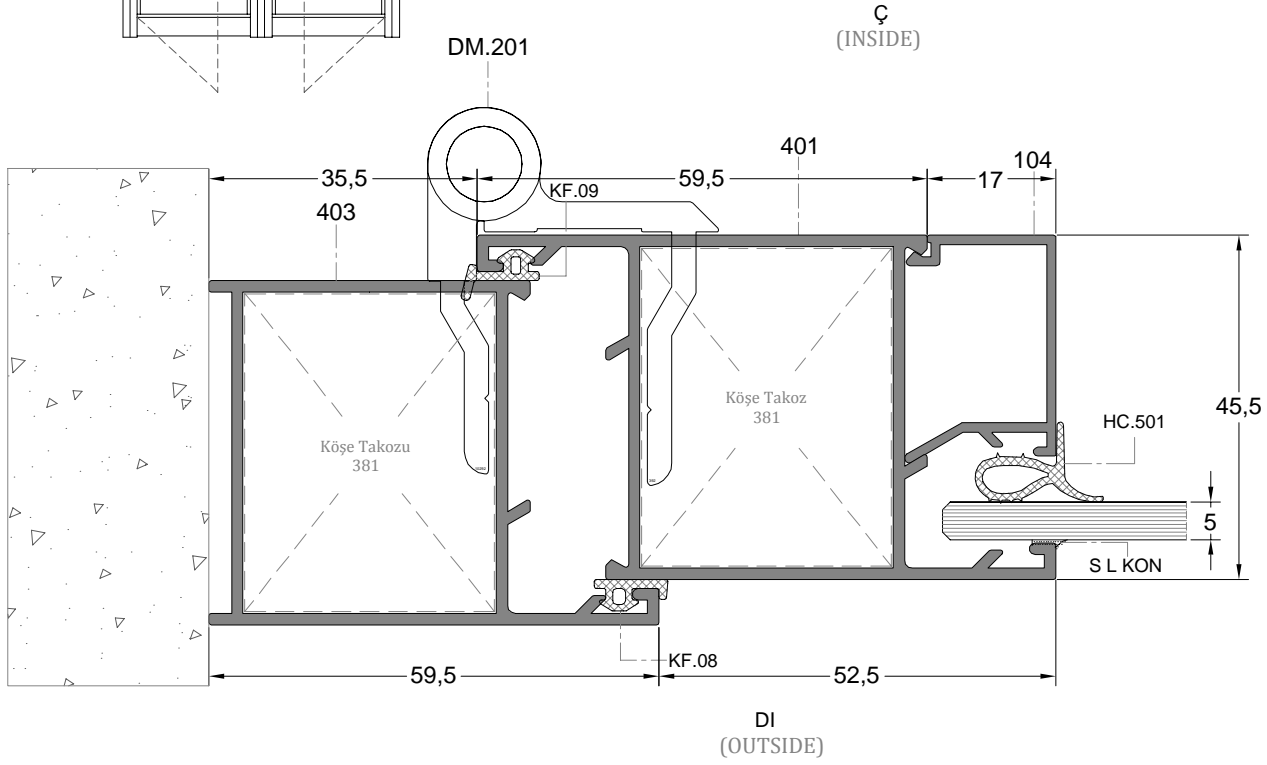
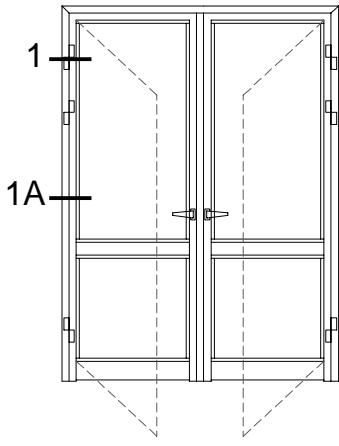
D-4

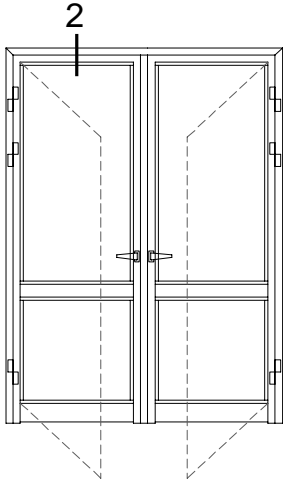
Ç
(INSIDE)



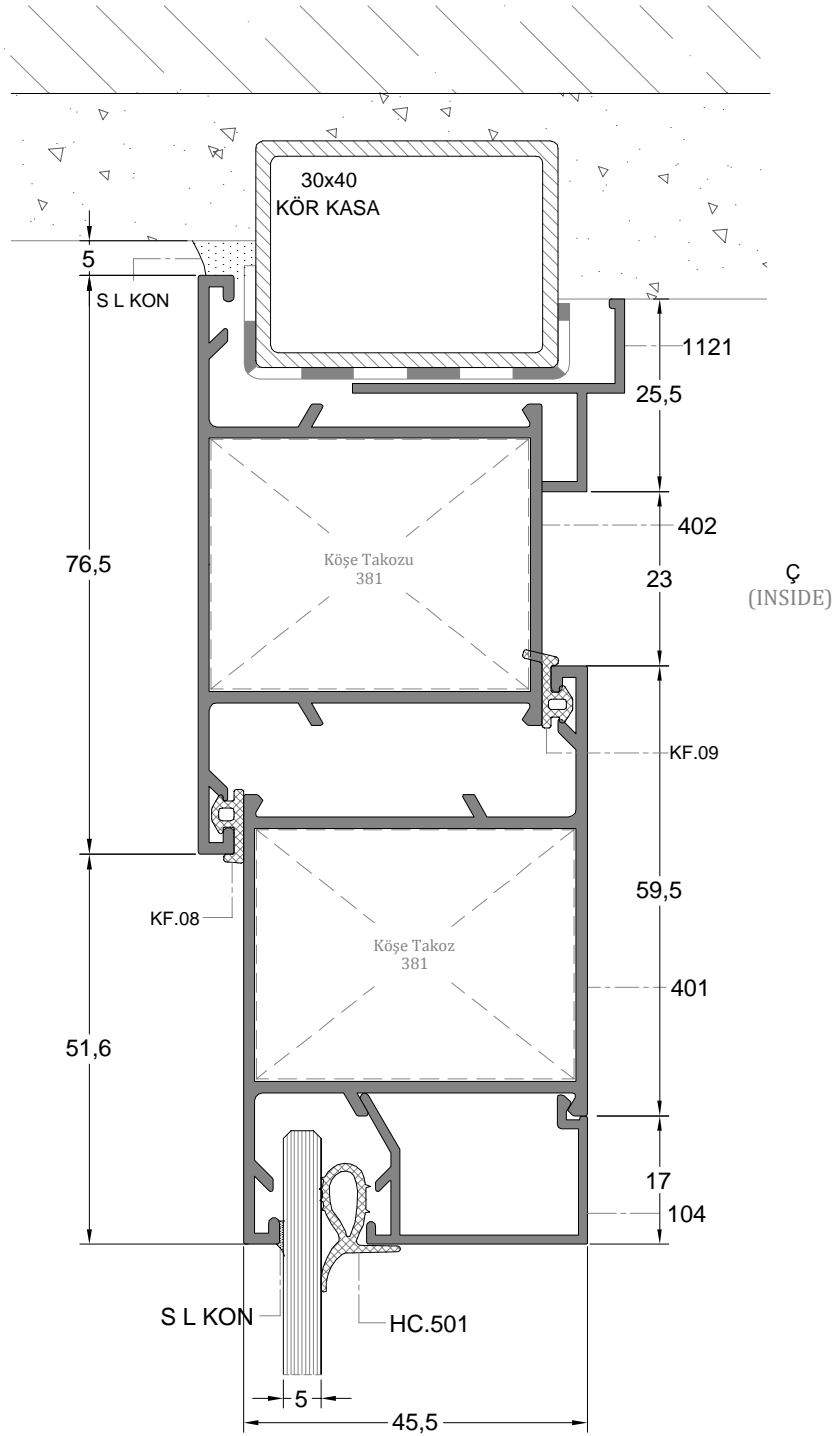
D-5



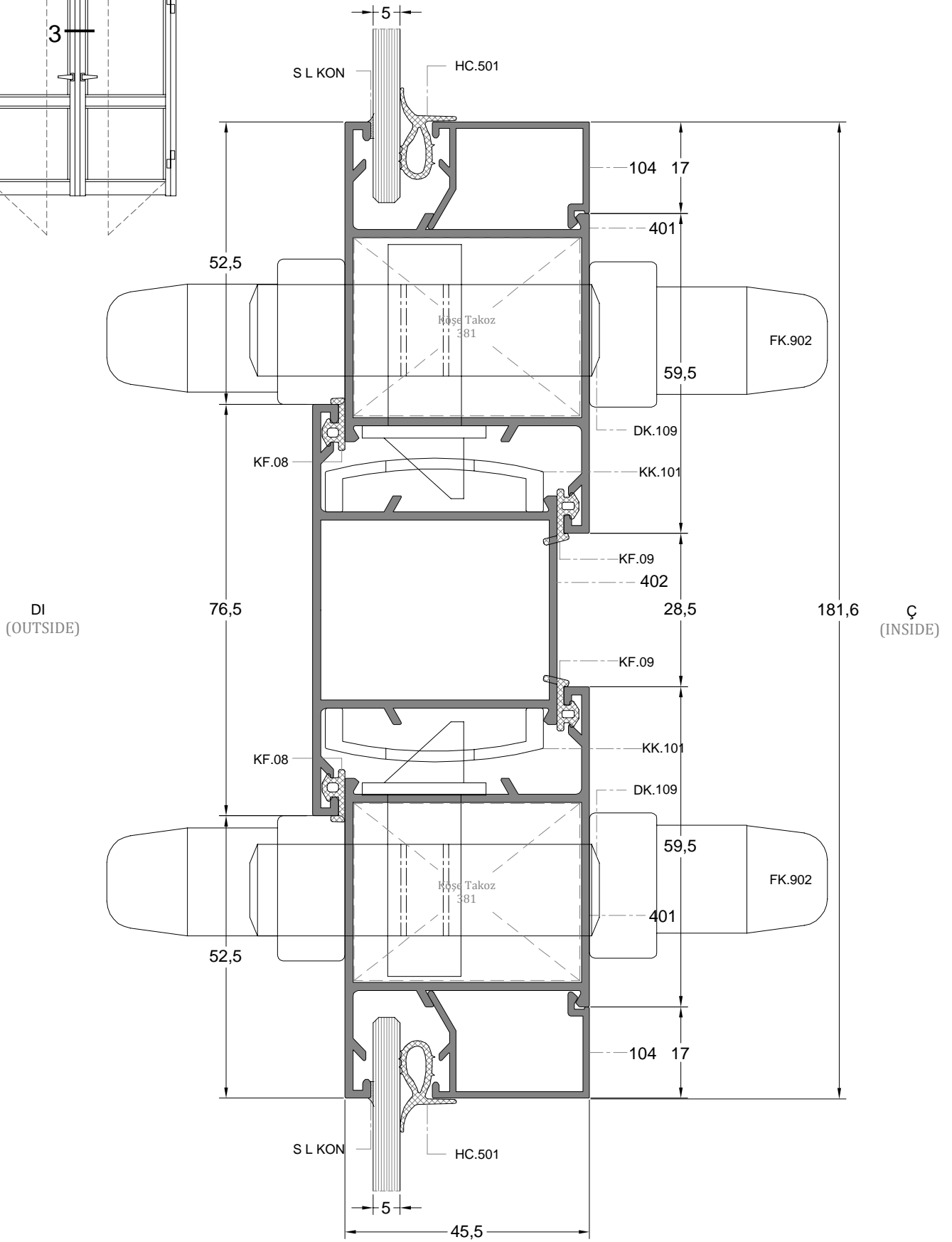
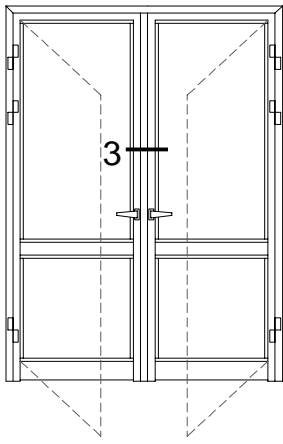




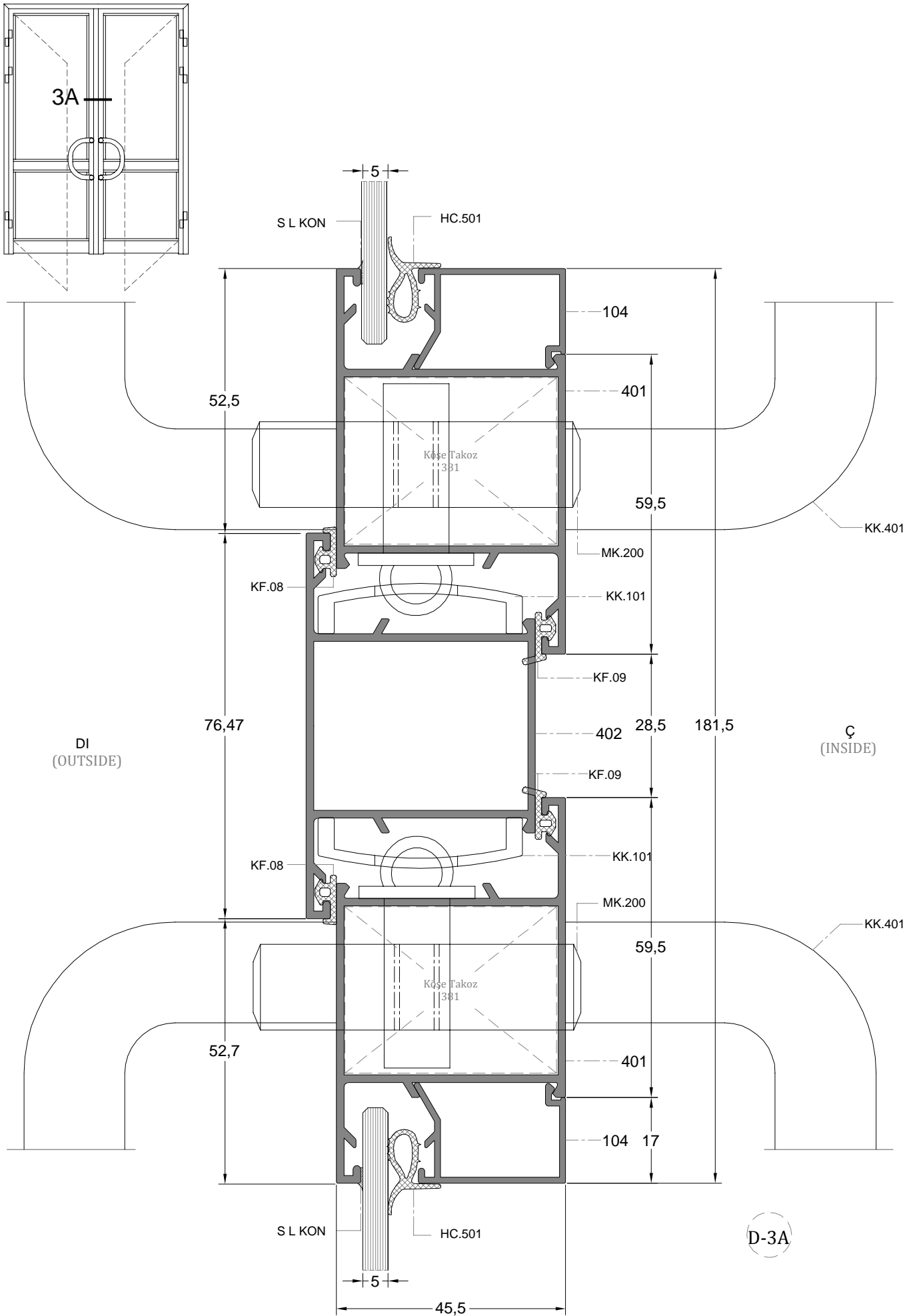
DI
(OUTSIDE)

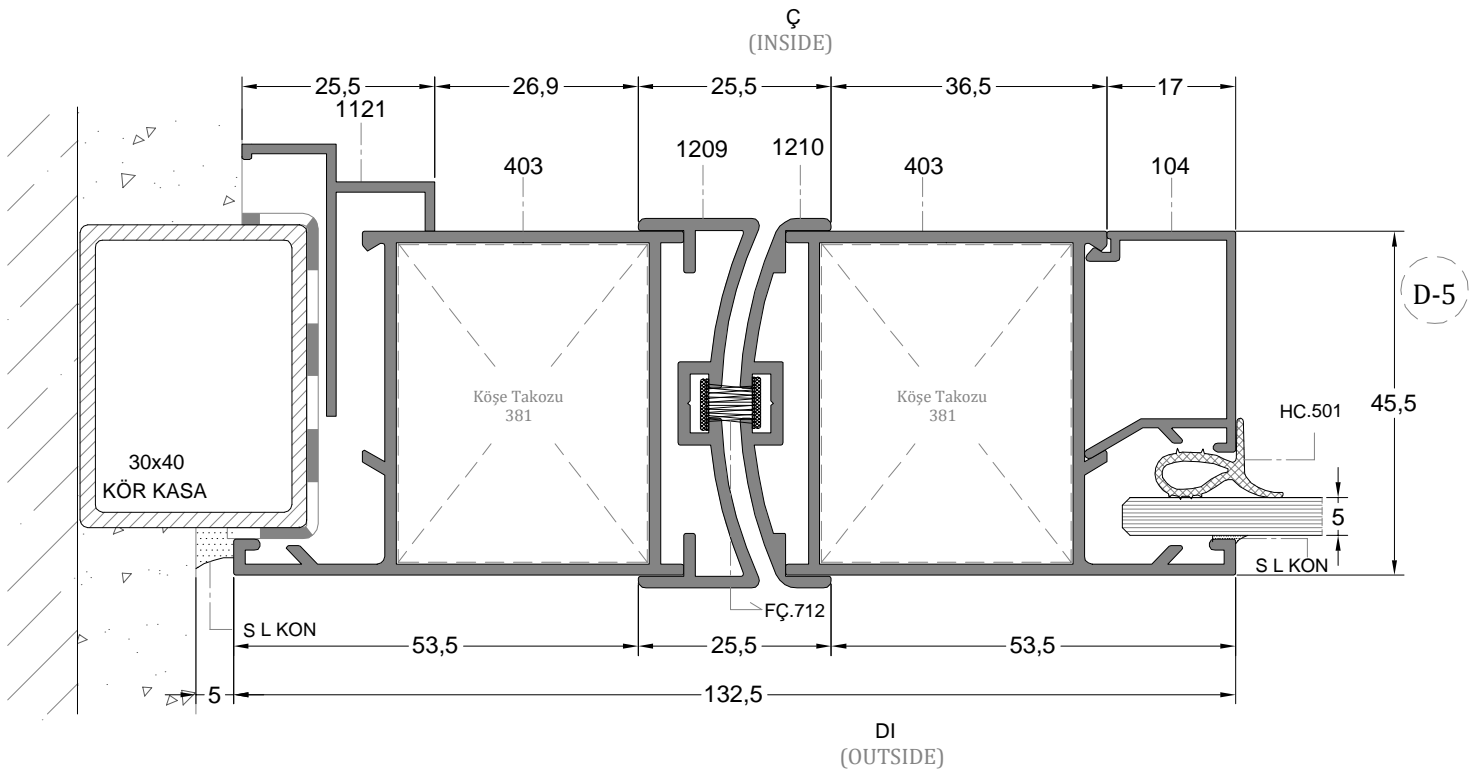
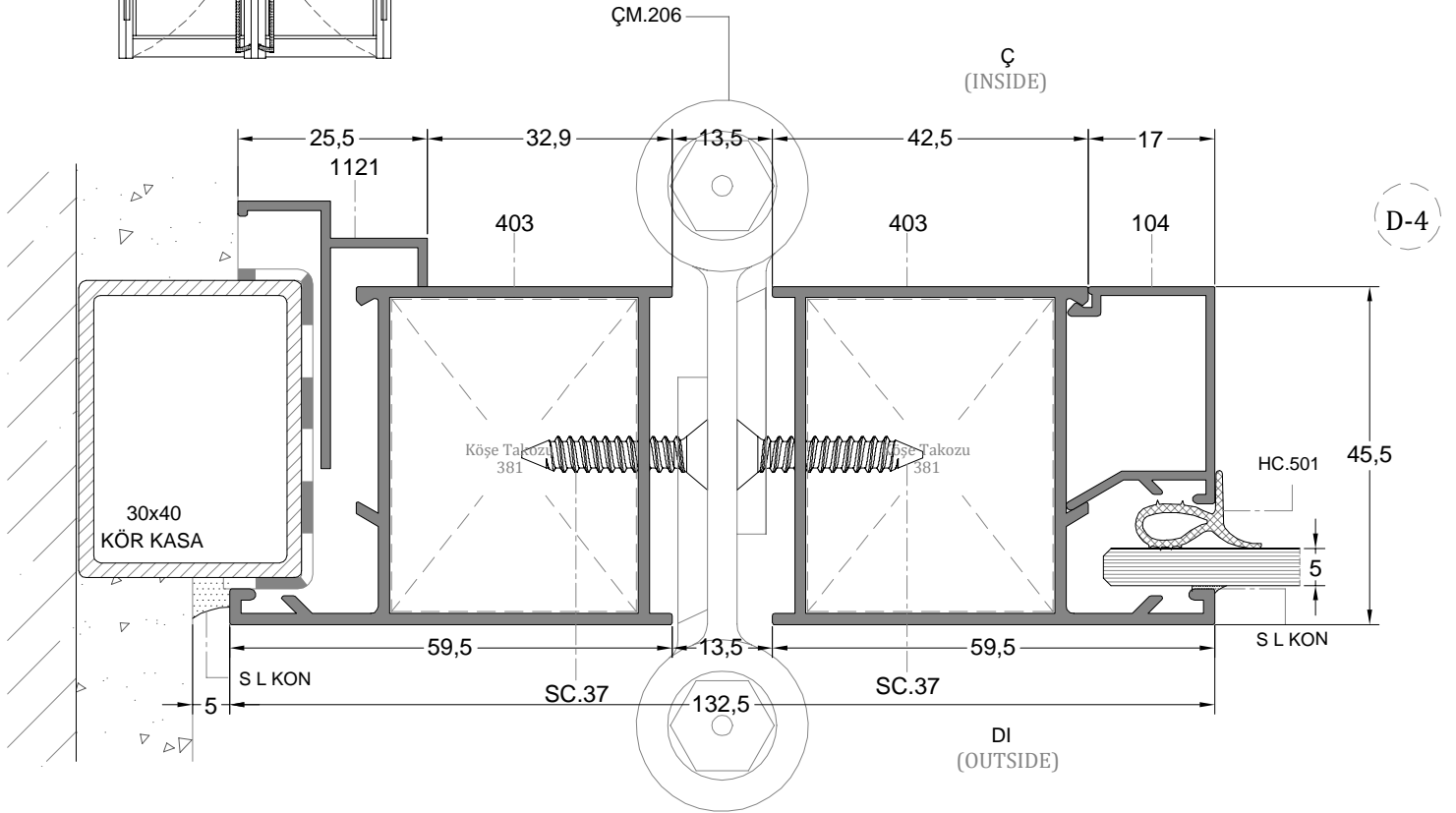
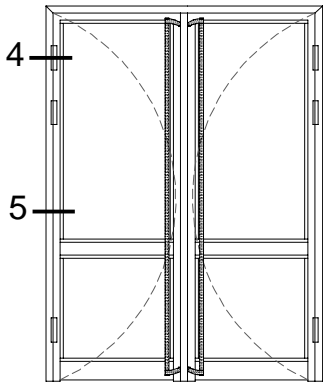


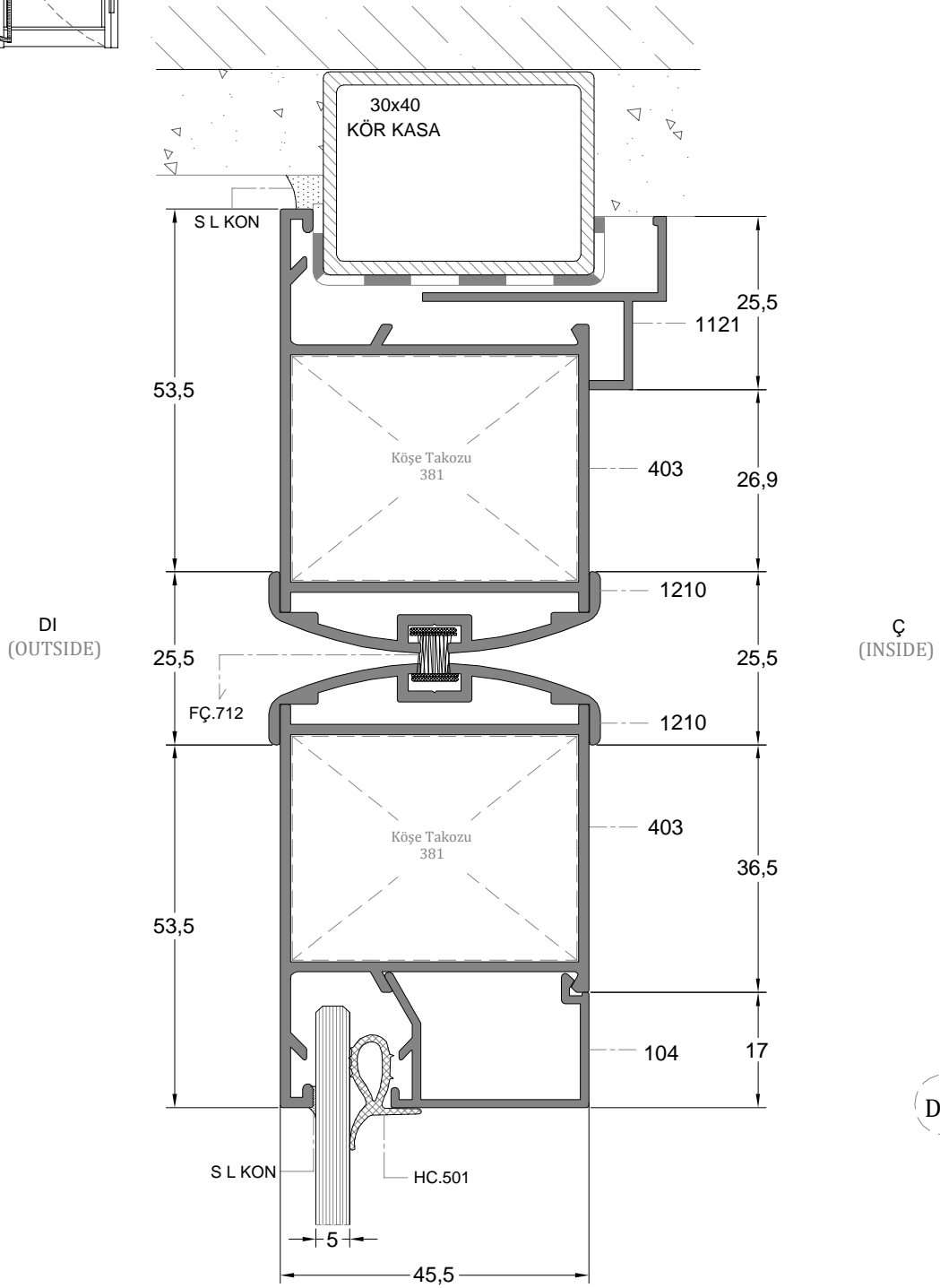
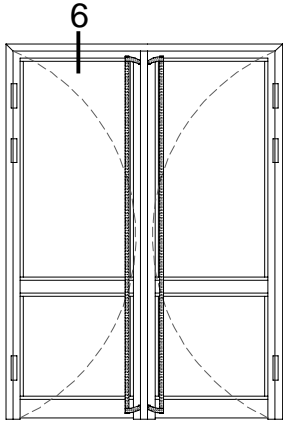
D-2

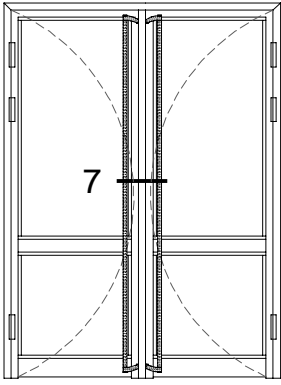


(D-3)

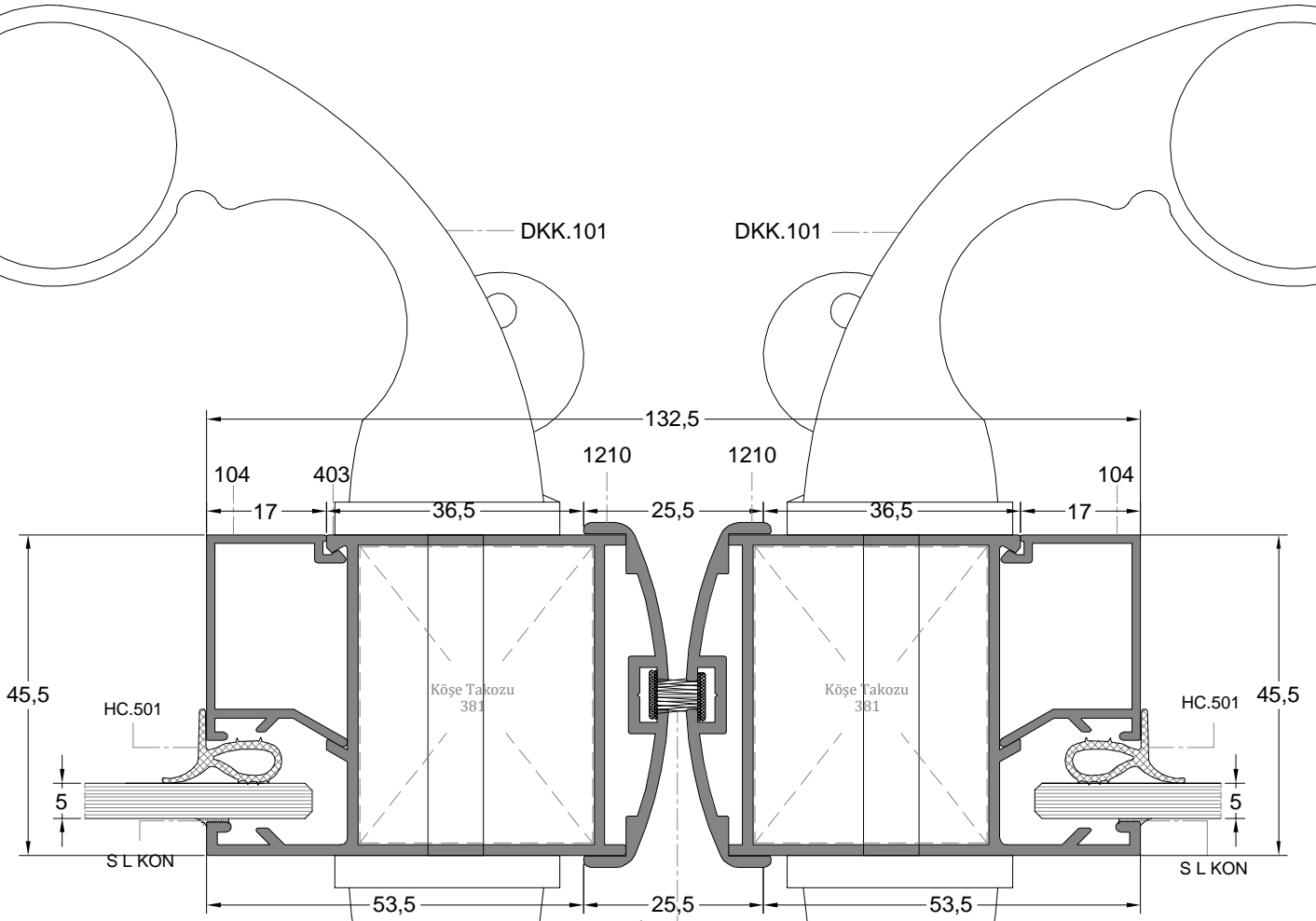








Ç
(INSIDE)

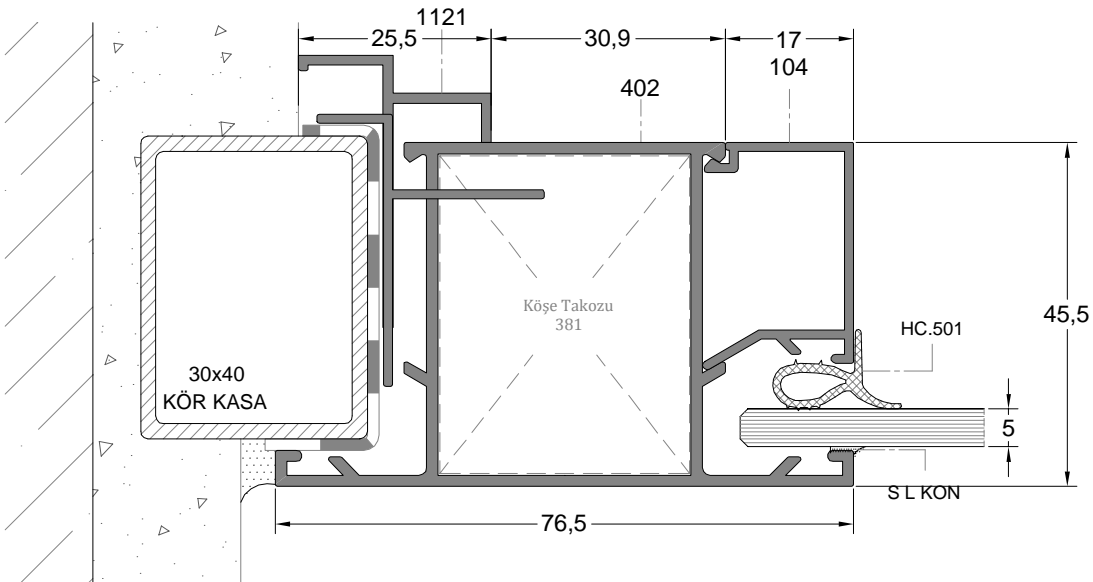
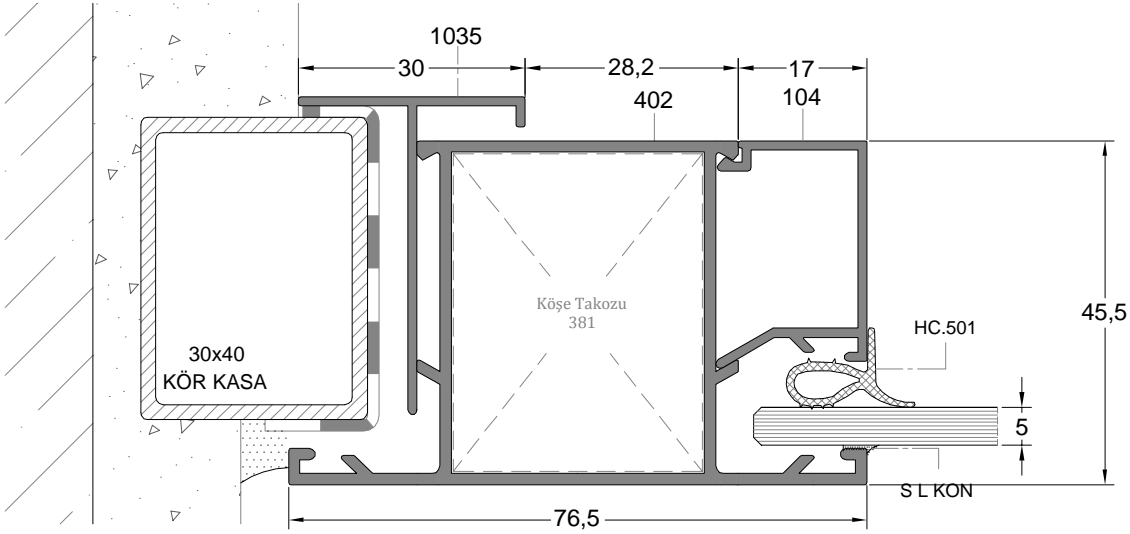
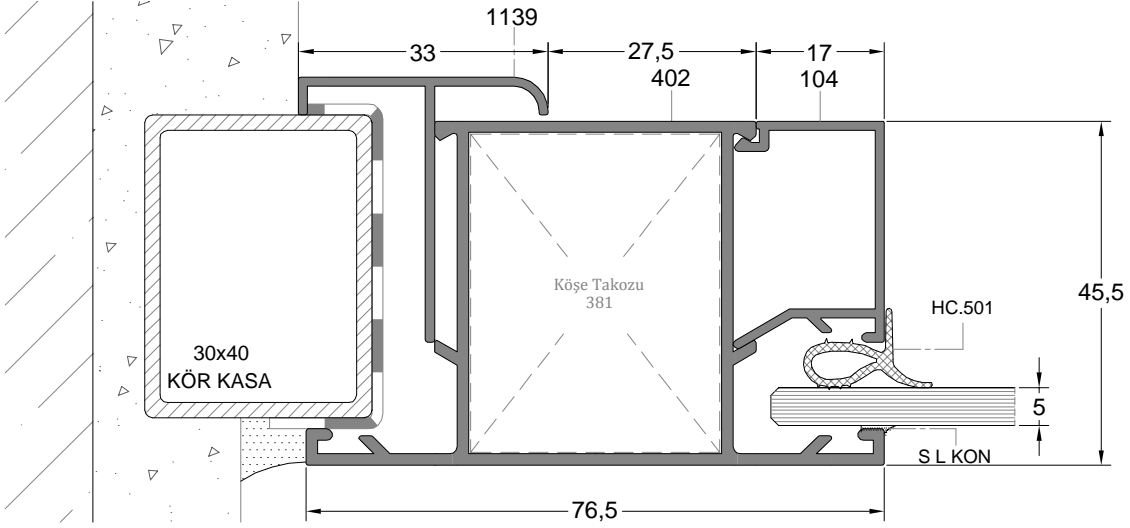
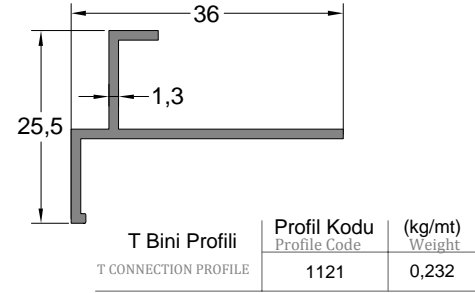
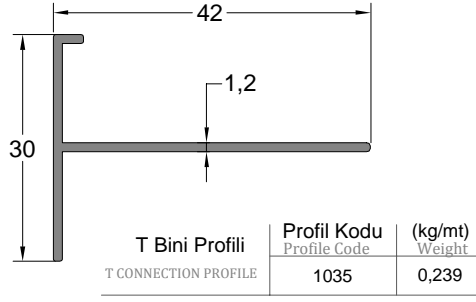
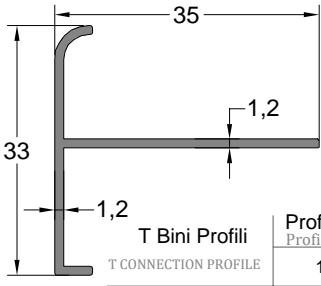


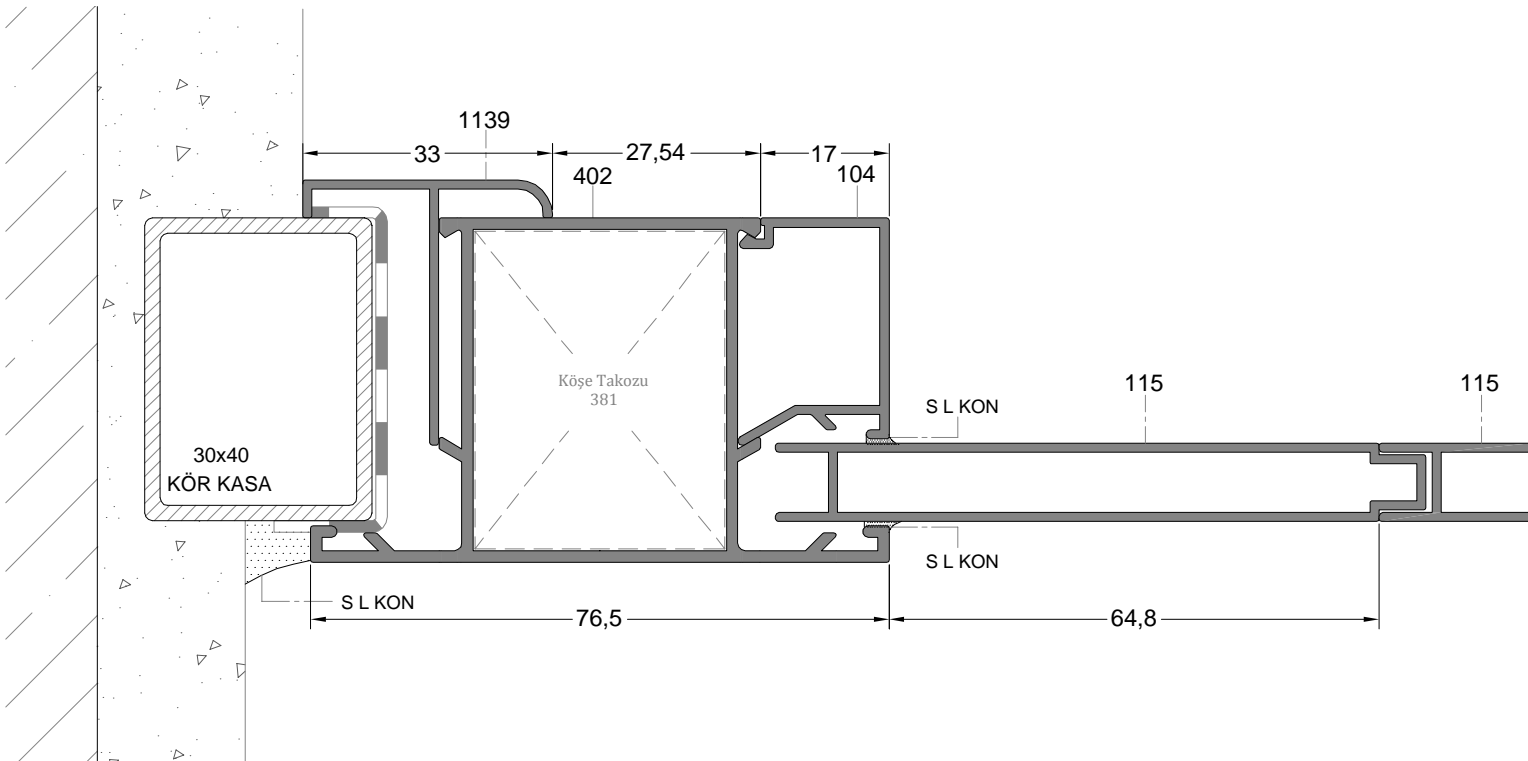
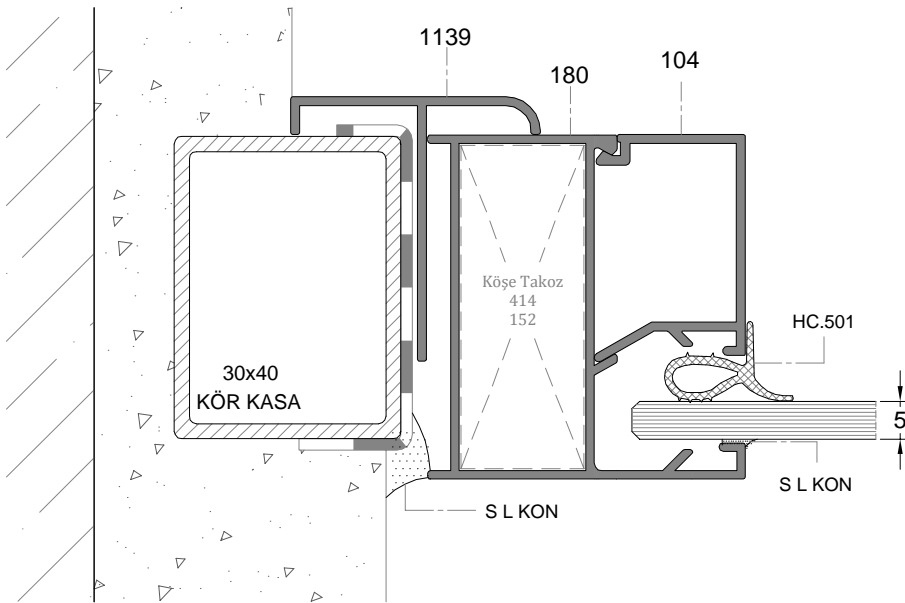
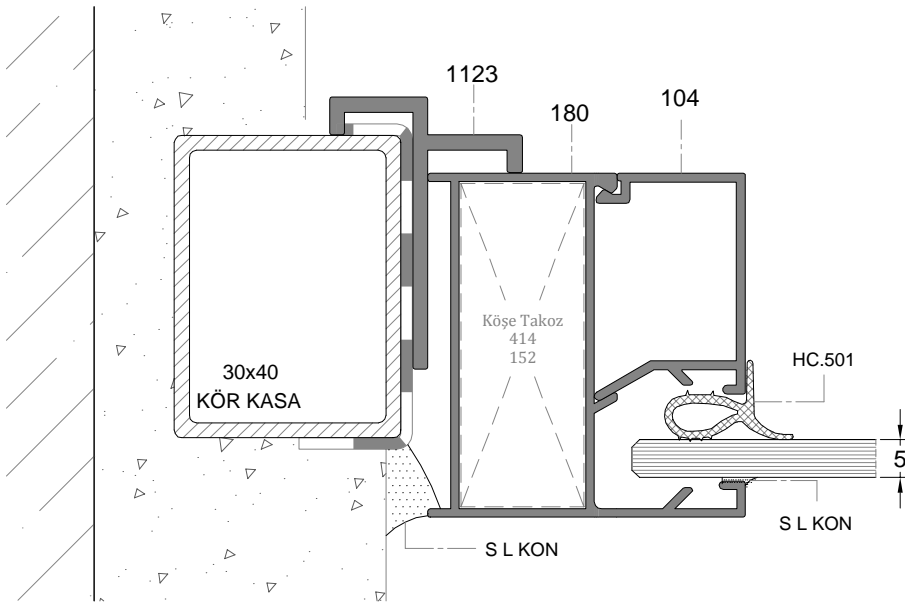
D-7

DKK.101

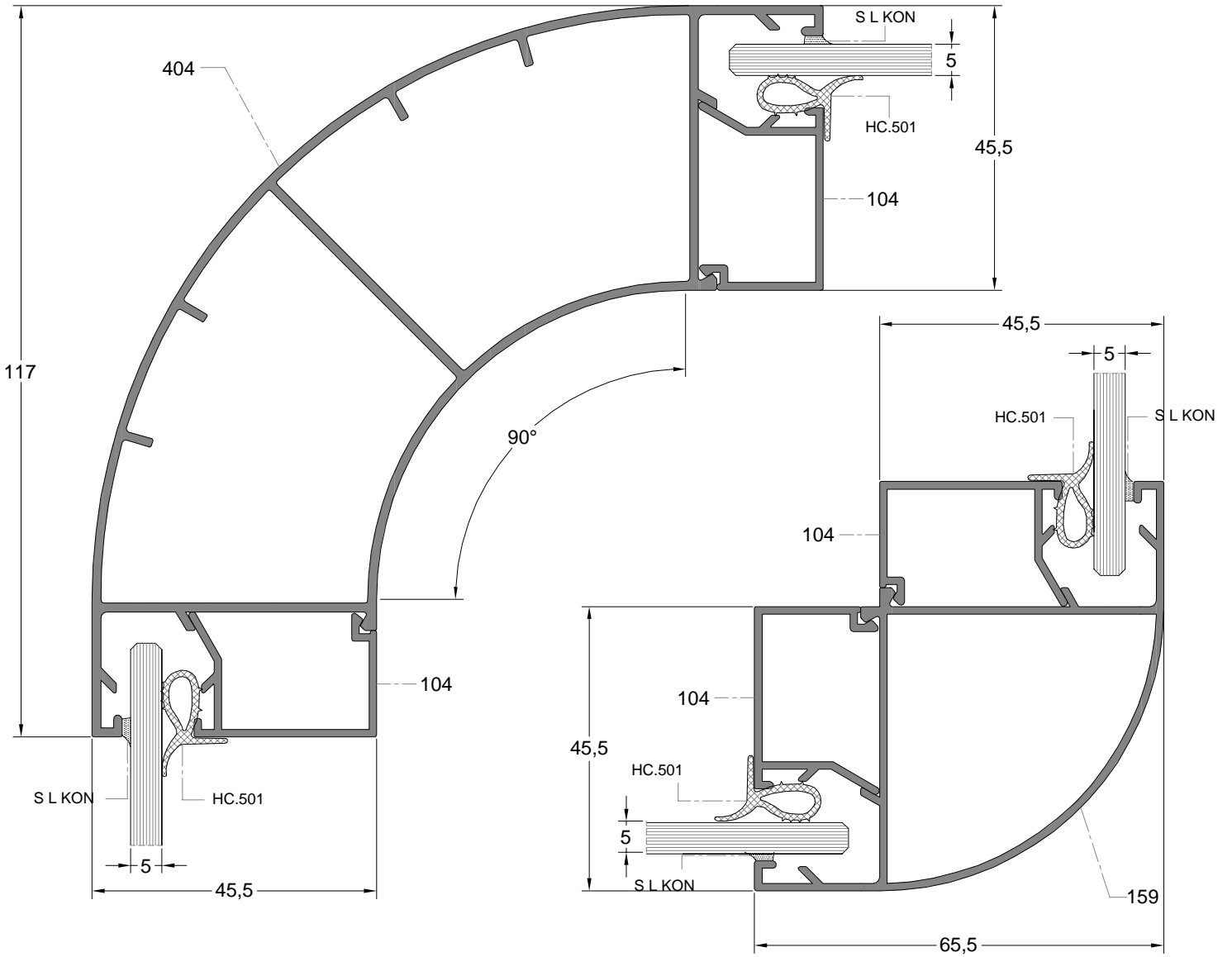
DKK.101

DI
(OUTSIDE)

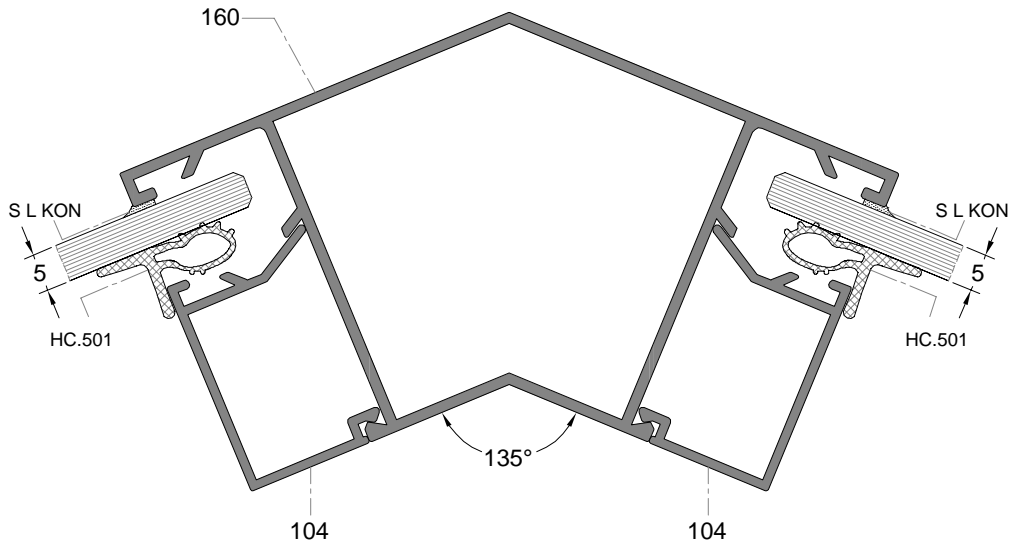


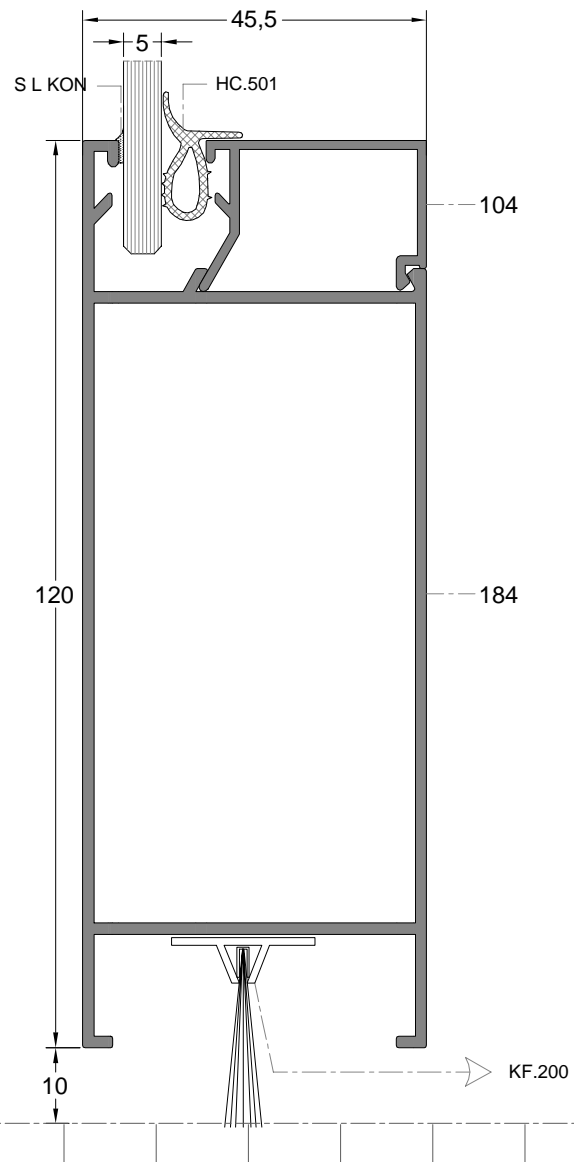
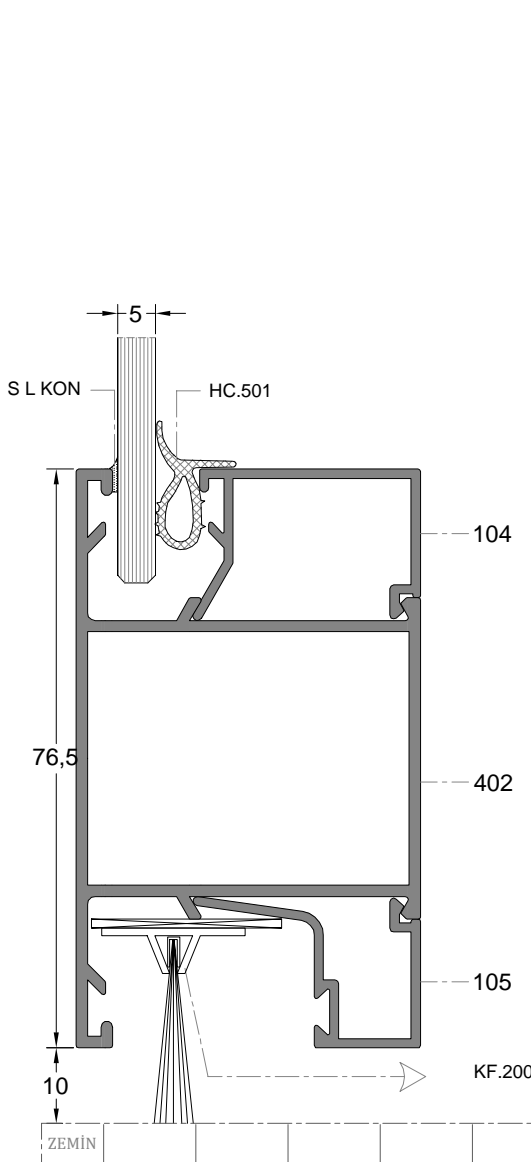
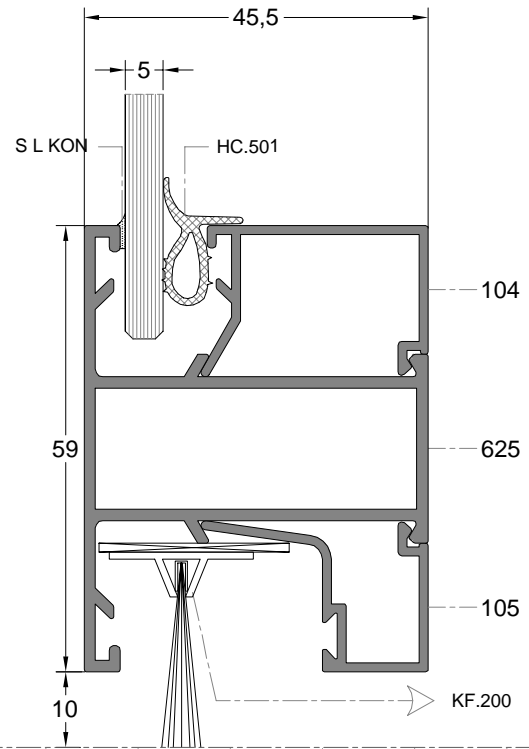
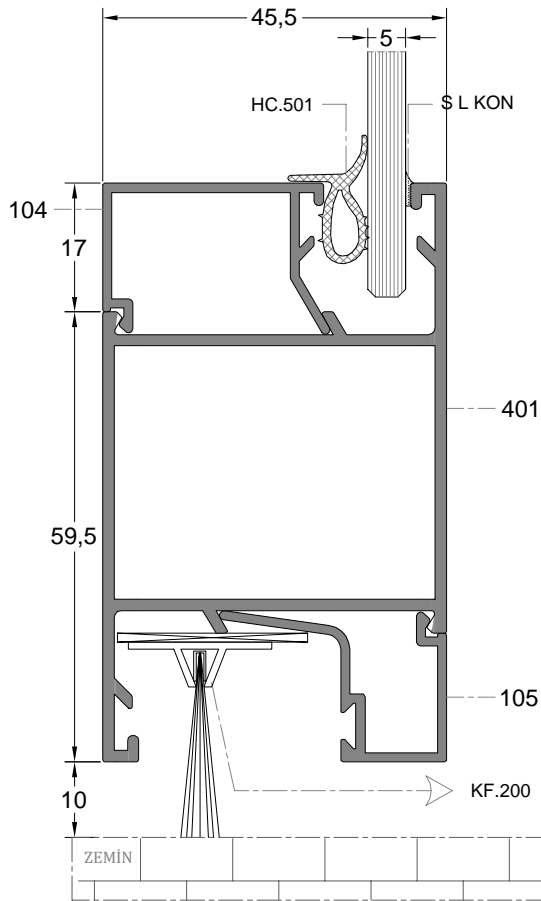


90° KÖ E DÖNÜ DETAYI
90° CORNER DETAIL



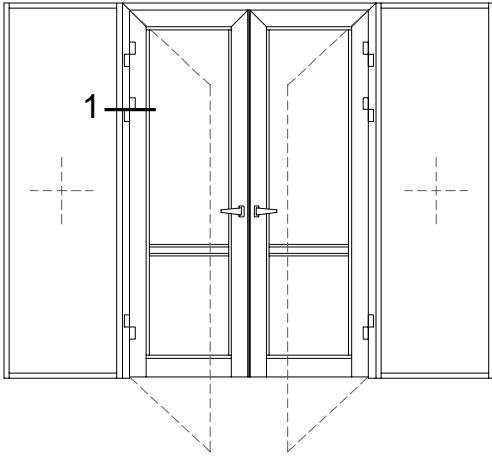
135° KÖ E DÖNÜ DETAYI
135° CORNER DETAIL



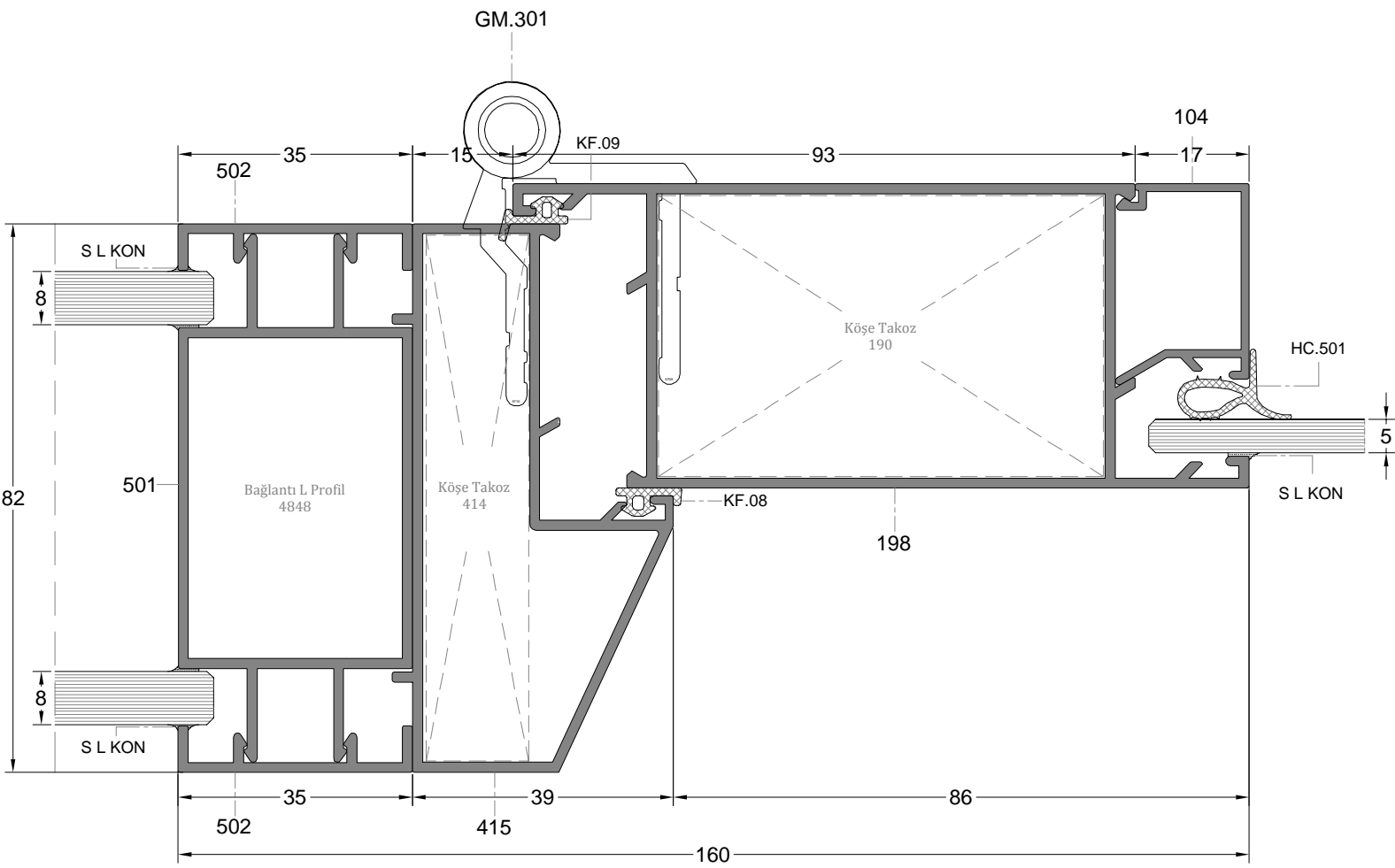


ALDOKS S STEM (ALDOKS SYSTEM)

ALDOKS OF S BÖLME S STEM (80 mm)
(Aldoks Office Partition Profiles (80 mm))

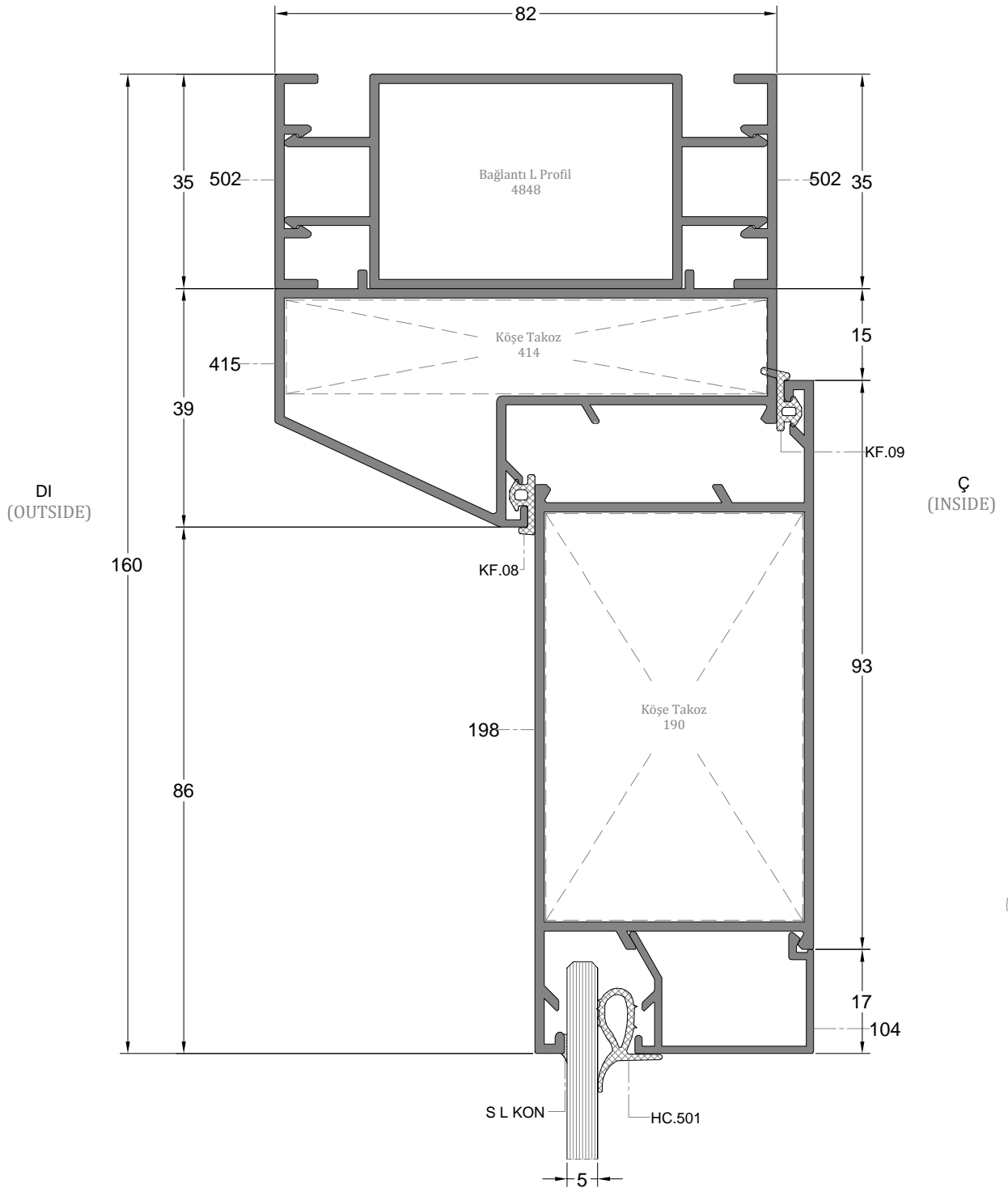
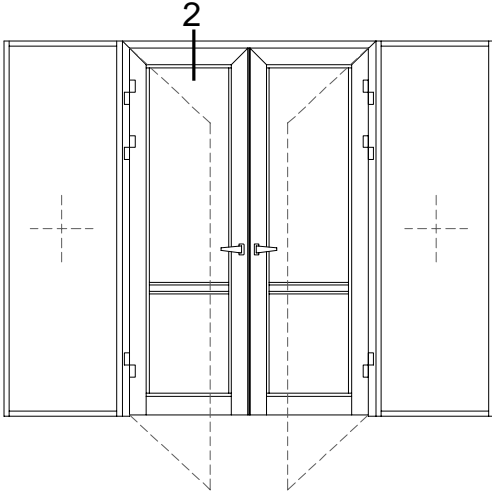


Ç
(INSIDE)

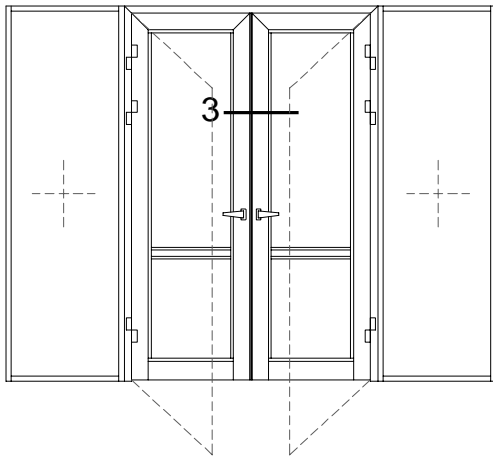


DI
(OUTSIDE)

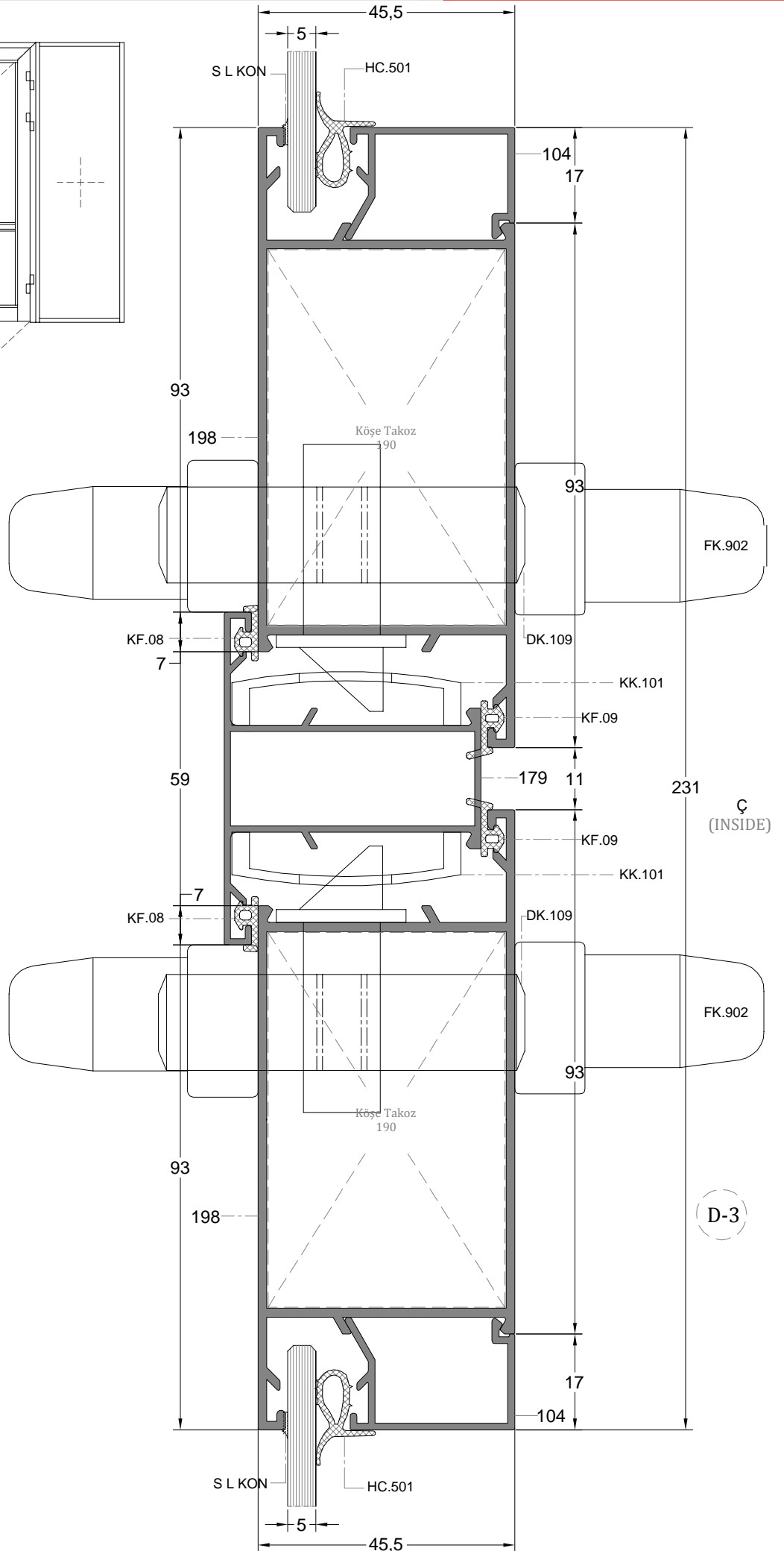
D-1

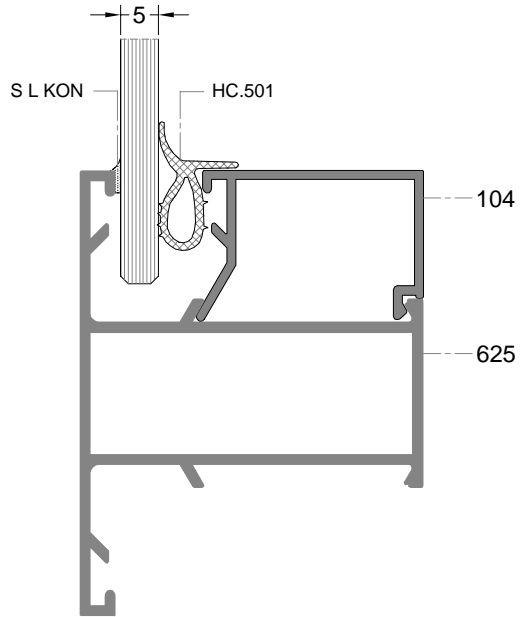
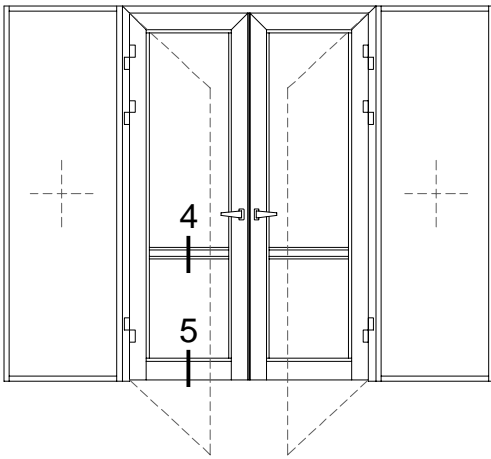


D-2



DI
(OUTSIDE)

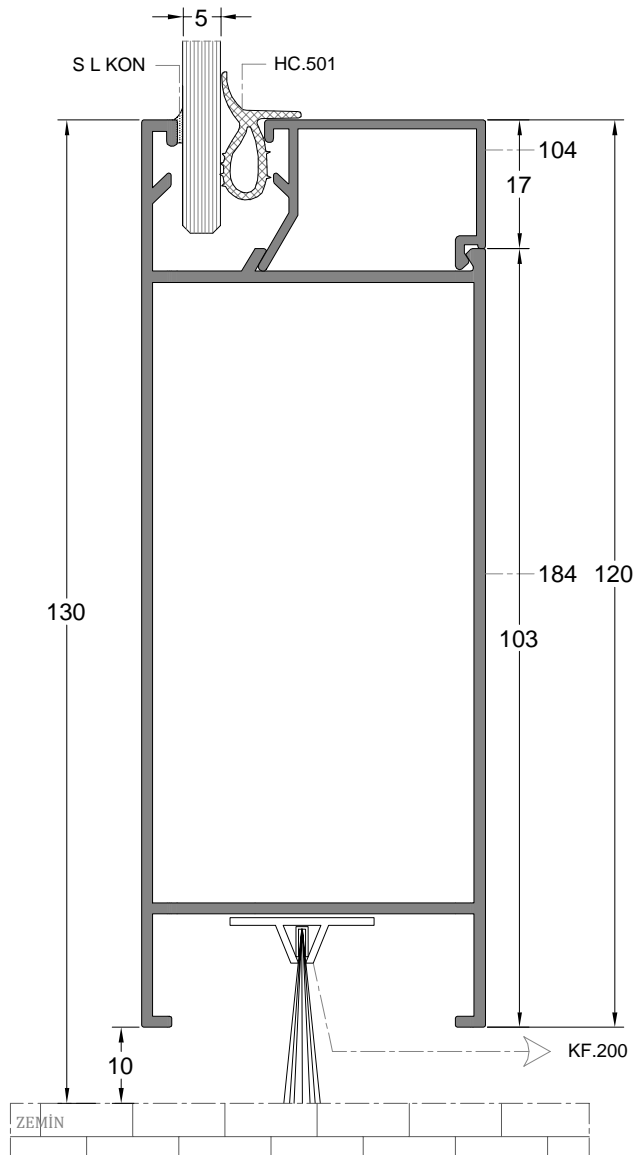




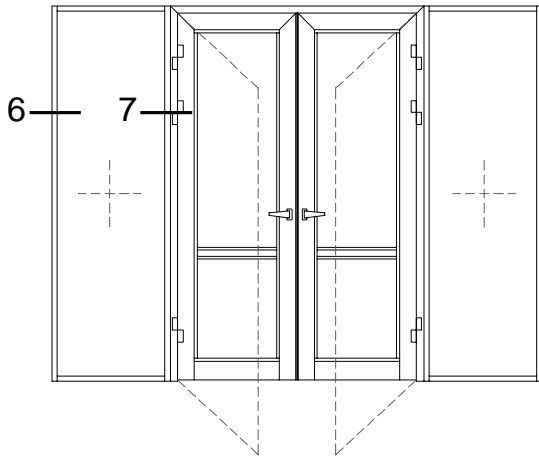
D-4

DI
(OUTSIDE)

Ç
(INSIDE)

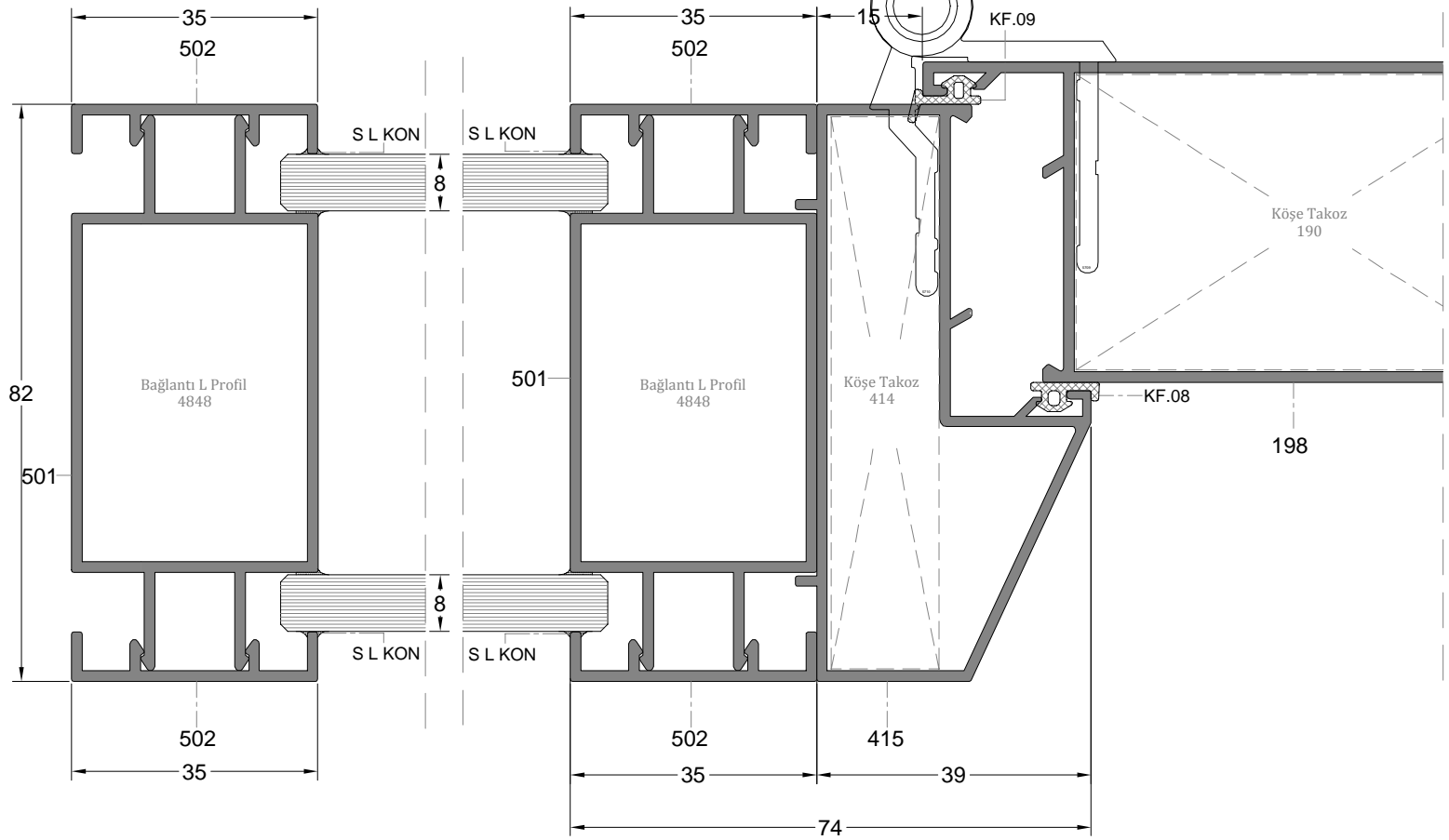


D-5



Ç
(INSIDE)

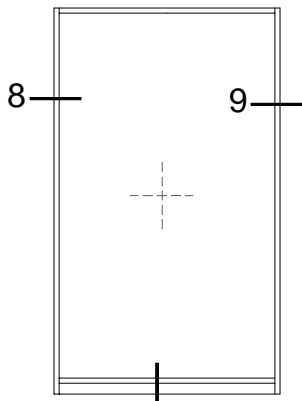
GM.301



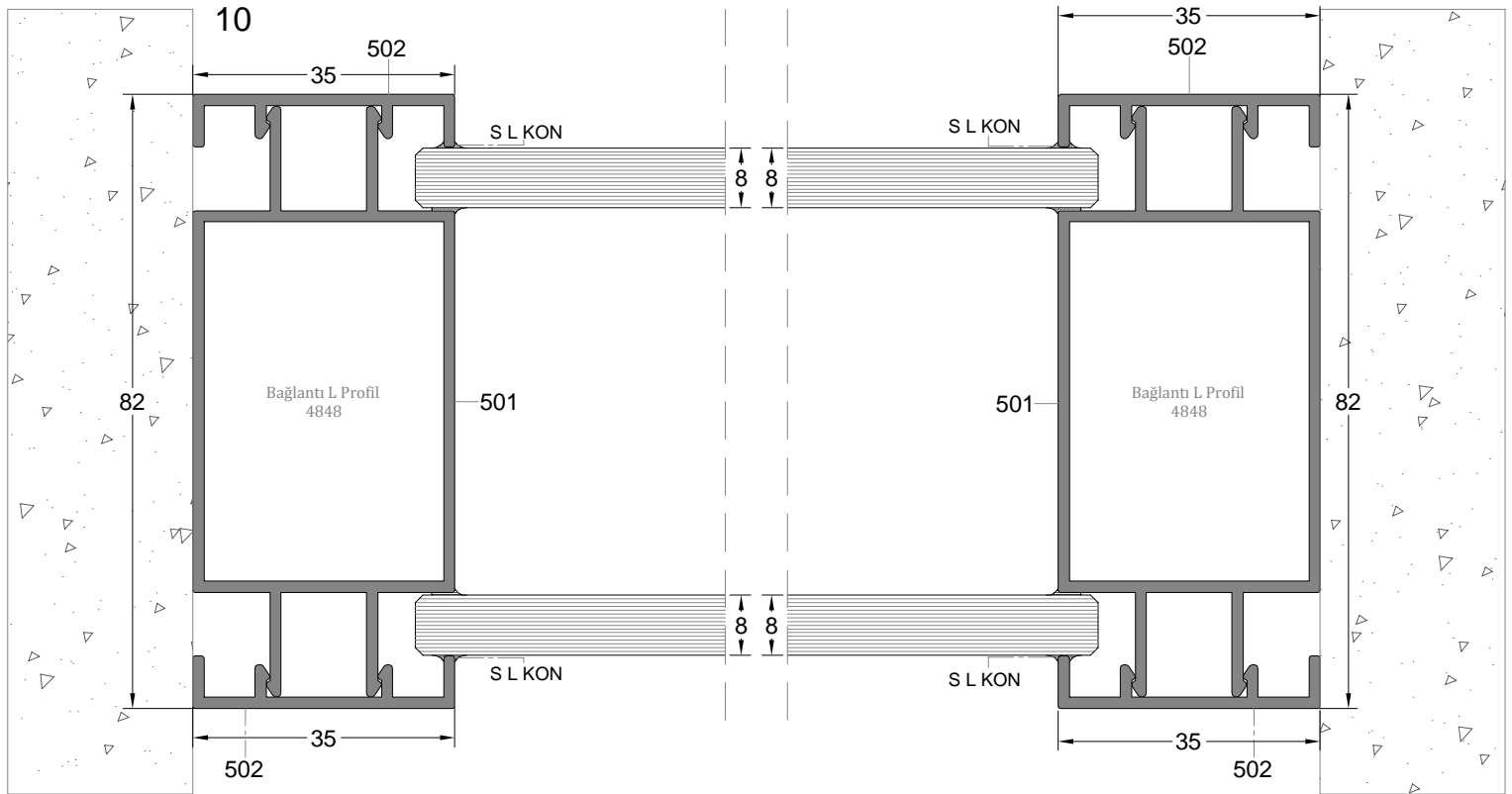
D-6

D-7

DI
(OUTSIDE)



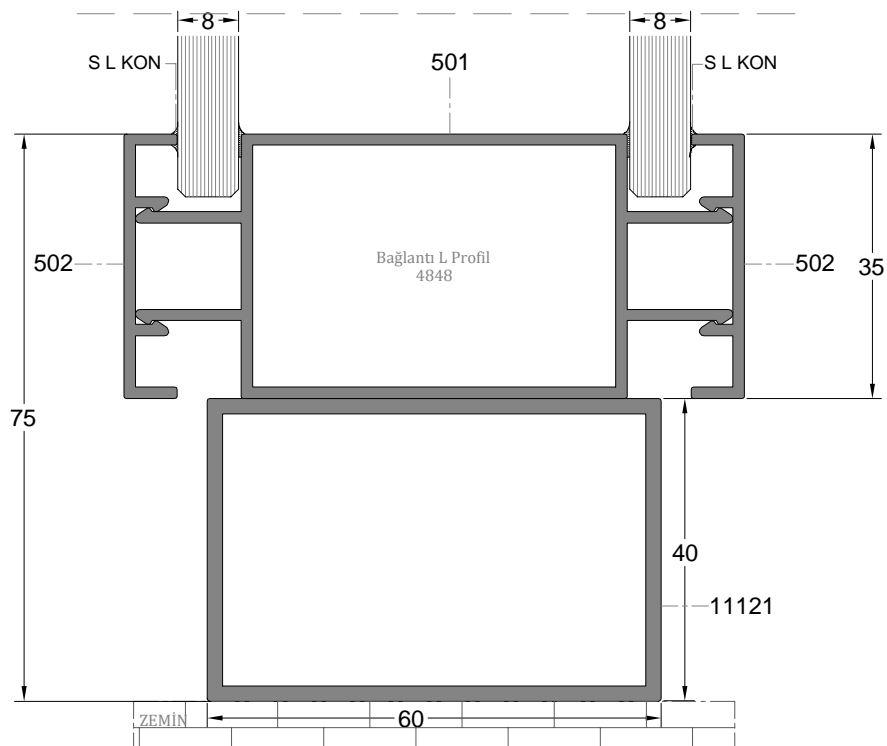
Ç
(INSIDE)



D-8

DI
(OUTSIDE)

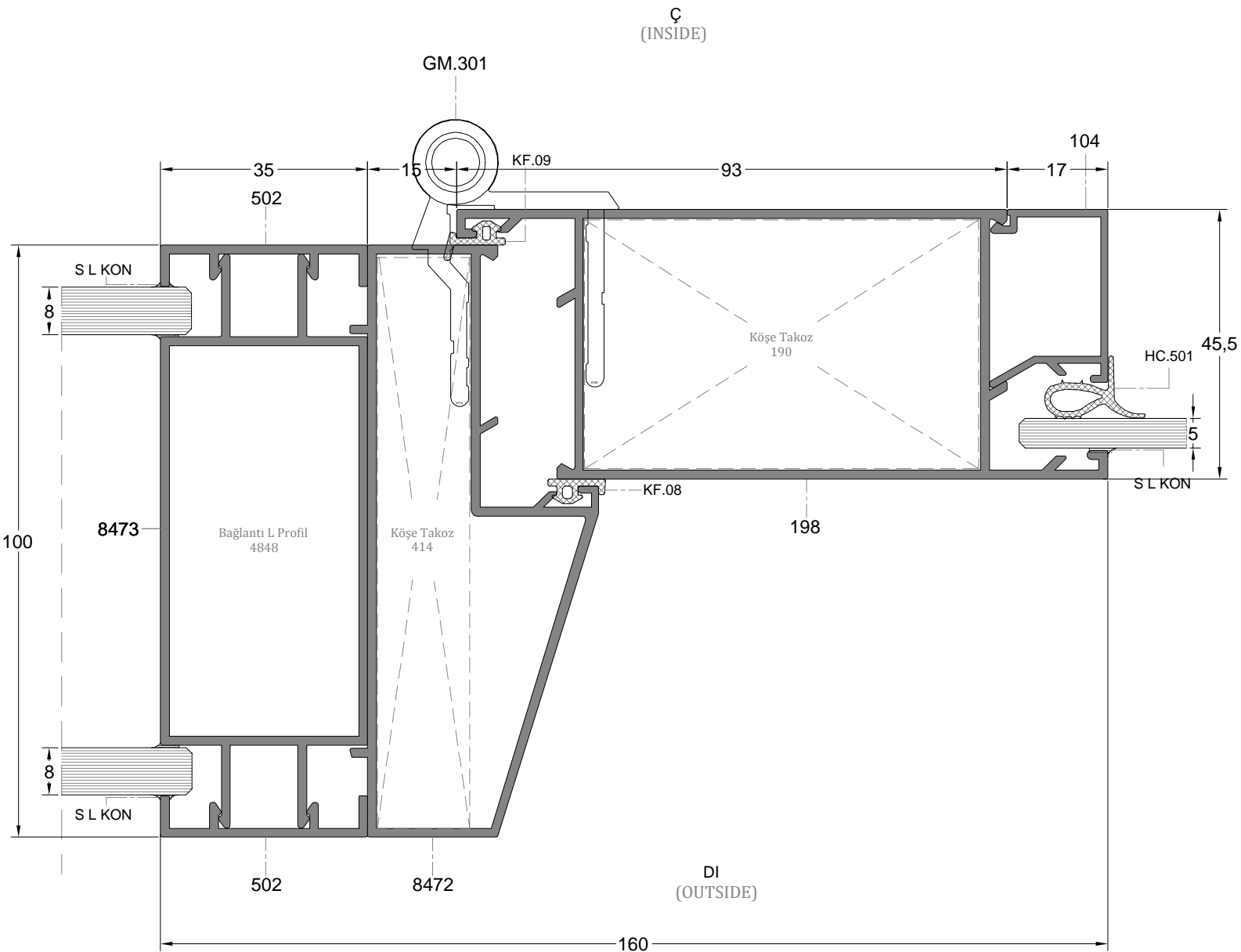
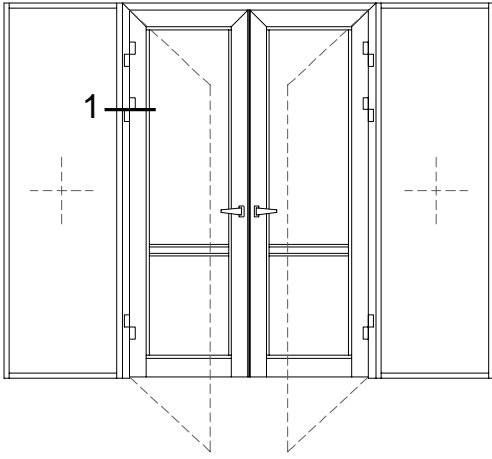
D-9

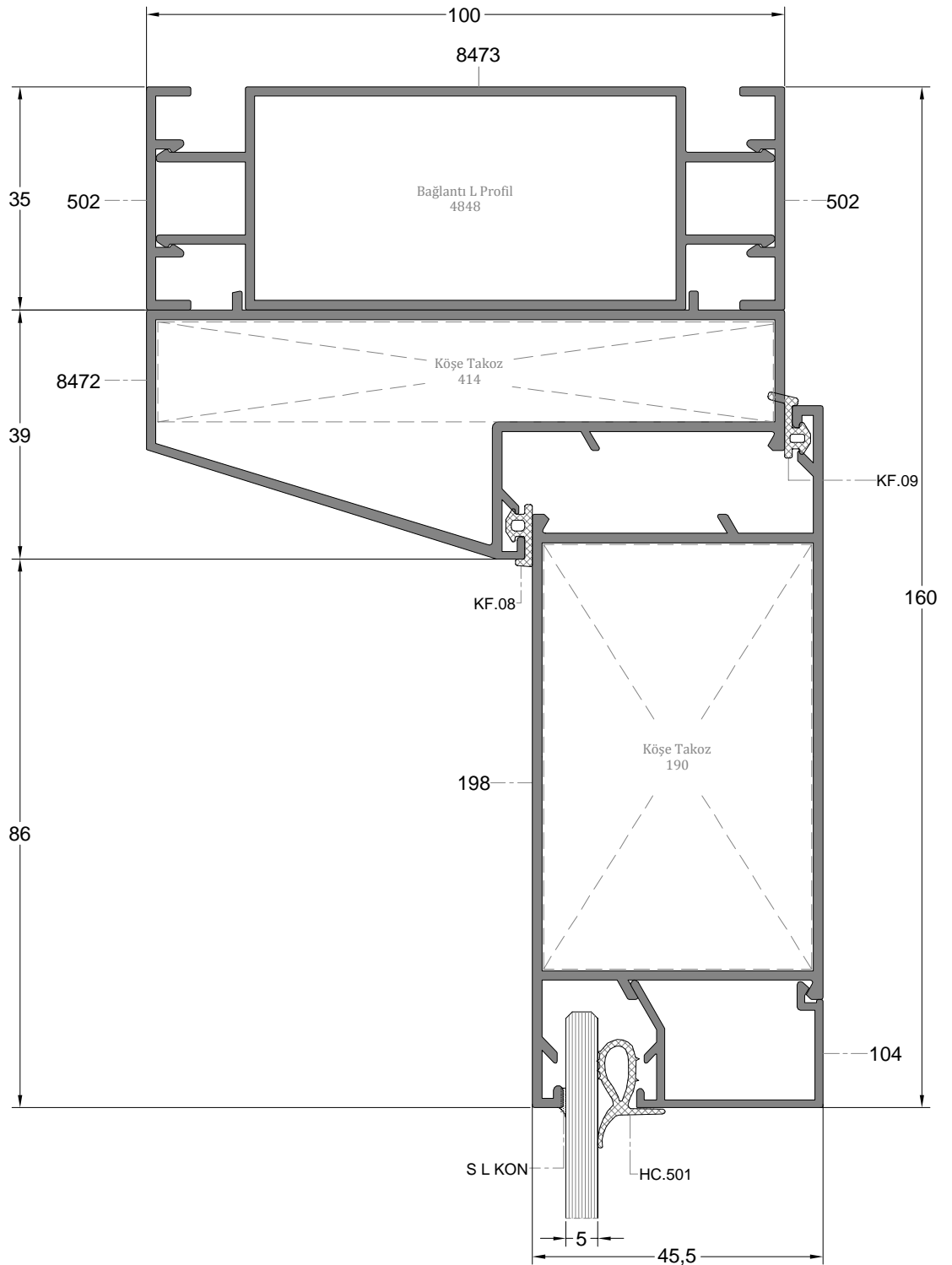
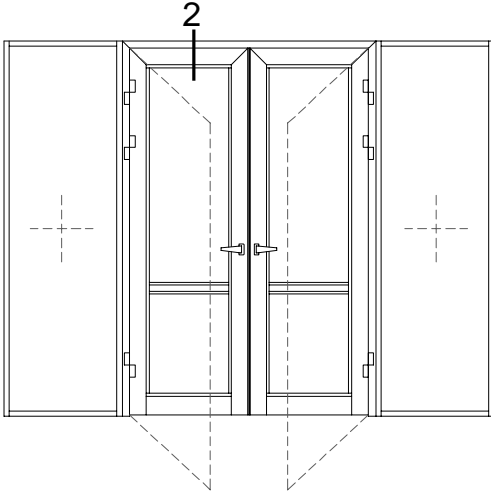


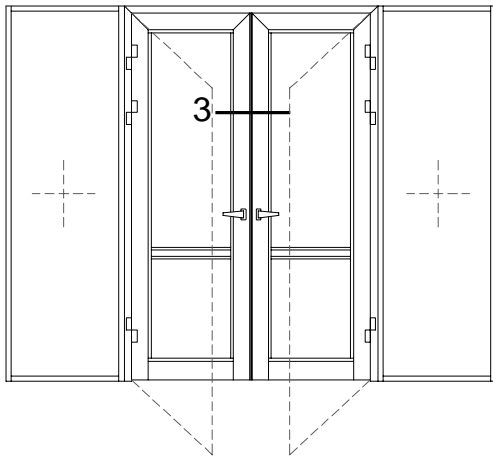
D-10

ALDOKS S STEM (ALDOKS SYSTEM)

ALDOKS OF S BÖLME S STEM (100 mm)
(Aldoks Office Partition Profiles (100 mm))

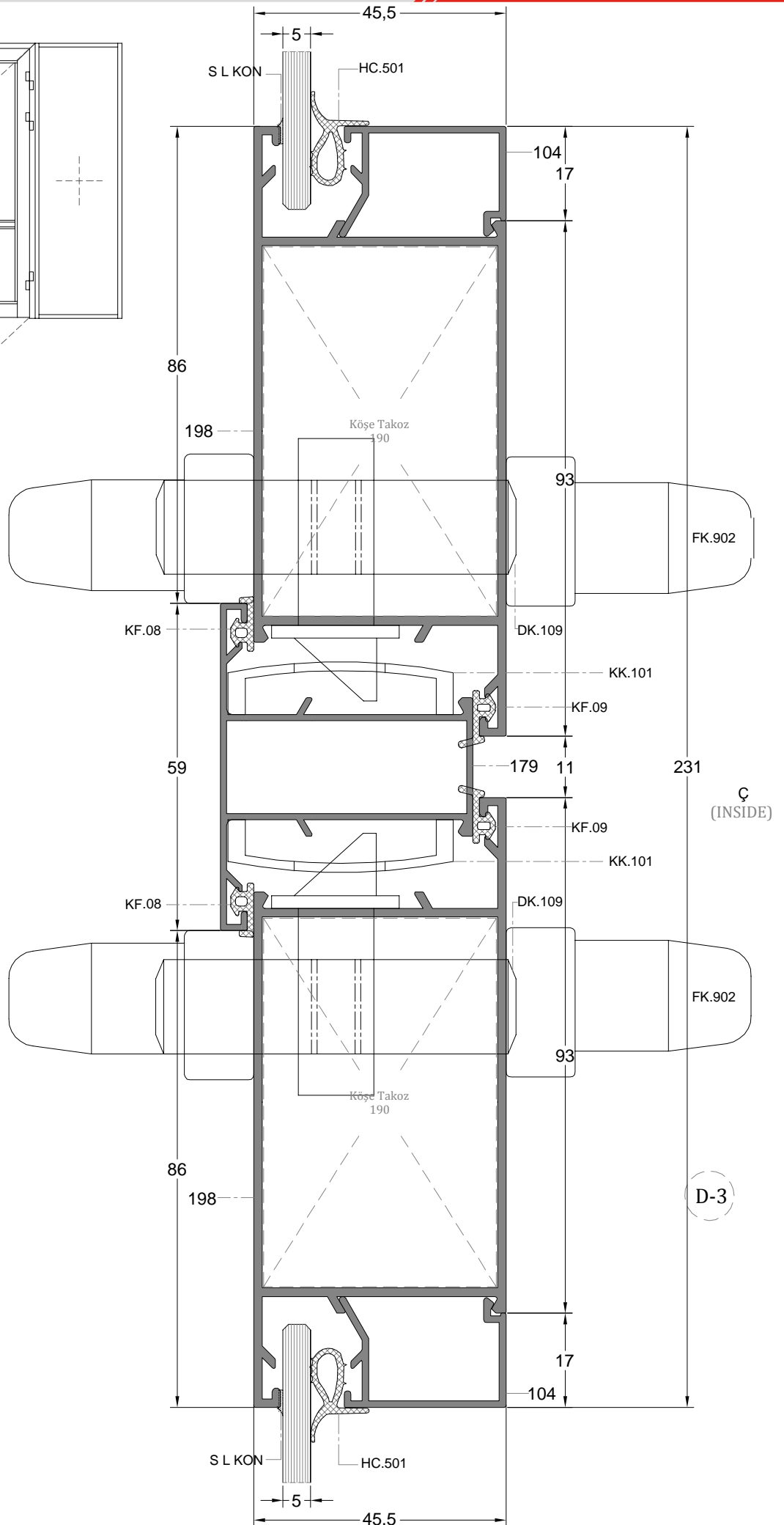


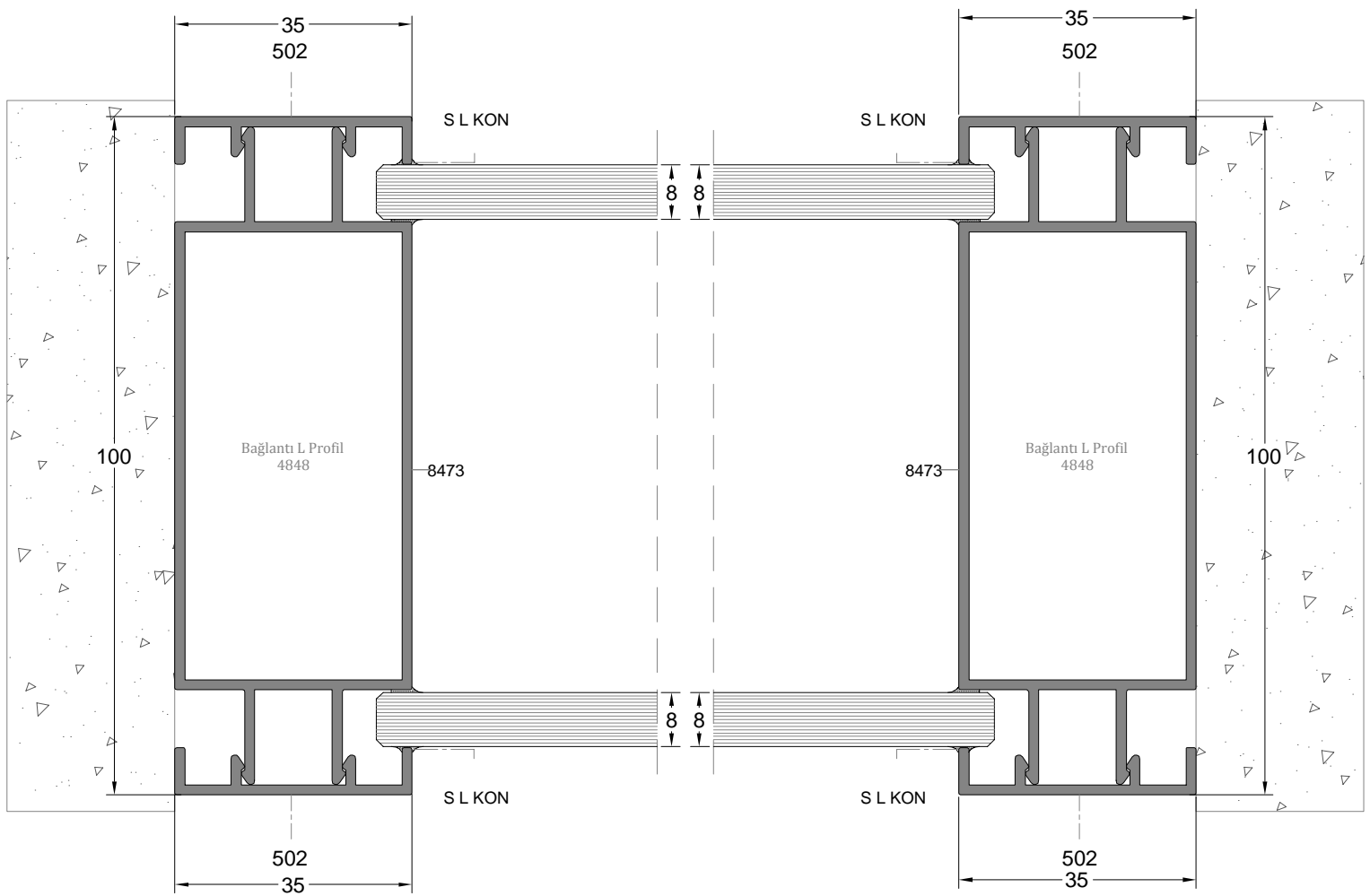
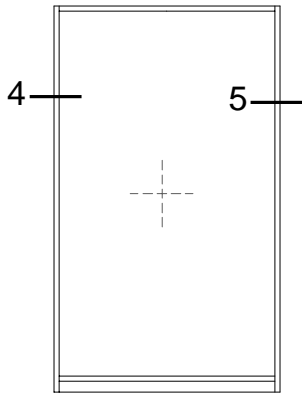




DI
(OUTSIDE)

Ç
(INSIDE)





D-4

D-5

