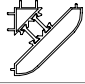
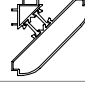



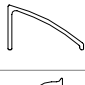



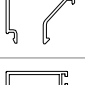
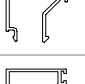
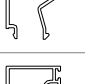
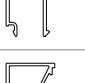
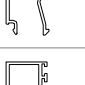
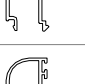
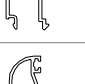
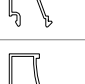
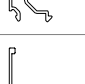

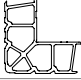
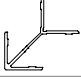
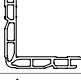
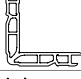
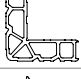
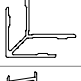
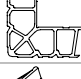



WD 50 THERMO
KAPI ve PENCERE S STEM
(Door And Window System)



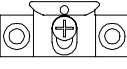


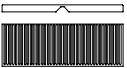
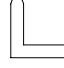
TAM ÖLÇEKL ALÜM NYUM PROF LLER
(Full Scale Aluminum Profiles)

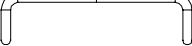
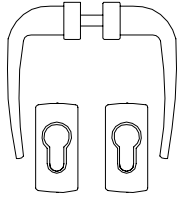
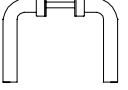

PROF L KES T PROFILE SECTION	PROF L KODU PROFILE CODE	PROF L ADI PROFILE NAME	Jx cm ⁴	Jy cm ⁴	A IRLIK (kg/m) WEIGHT
	638-642	KASA PROF L FRAME PROFILE	16,38	10,33	1,234
	638-645	KASA PROF L FRAME PROFILE	21,56	11,74	1,319
	641-642	KASA PROF L FRAME PROFILE	9,83	4,22	1,027
	641-645	KASA PROF L FRAME PROFILE	13,54	5,29	1,123
	643-644	KASA PROF L FRAME PROFILE	11,69	8,14	1,209
	643-646	KASA PROF L FRAME PROFILE	15,92	9,76	1,295
	655-656	ORTA KAYIT PROF L MULLION PROFILE	11,42	7,05	1,162
	657-658	ORTA KAYIT PROF L MULLION PROFILE	13,76	12,30	1,388
	659-660	ORTA KAYIT PROF L MULLION PROFILE	25,13	84,25	2,333
	659-604	ORTA KAYIT PROF L MULLION PROFILE	25,73	87,74	2,418
	657-603	ORTA KAYIT PROF L MULLION PROFILE	14,36	12,57	1,479
	678-677	ORTA KAYIT PROF L MULLION PROFILE	23,77	33,23	1,711
	605-685	KANAT PROF L SASH PROFILE	35,33	23,00	1,738
	649-650	KANAT PROF L SASH PROFILE	17,70	11,22	1,336
	651-652	KANAT PROF L SASH PROFILE	25,36	34,14	1,833
	647-648	KANAT PROF L SASH PROFILE	15,28	6,38	1,183
	684-685	KANAT PROF L SASH PROFILE	23,04	35,16	1,746
	601-602	KANAT PROF L SASH PROFILE	18,30	13,39	1,711
	662-663	ADAPTÖR PROF L ADAPTER PROFILE	11,41	7,02	1,177
	604-661	ETEK PROF L BOTTOM PROFILE	98,98	28,85	2,514
	660-661	ETEK PROF L BOTTOM PROFILE	95,47	28,18	2,429

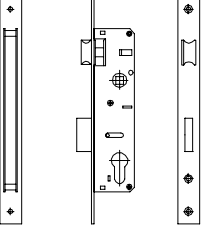
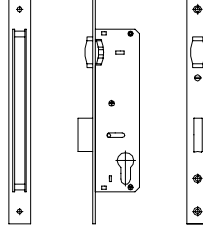
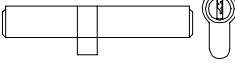
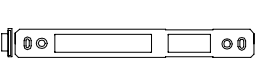
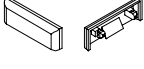
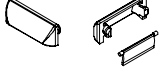


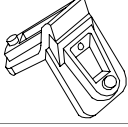
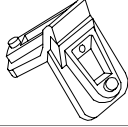
PROF L KES T PROFILE SECTION	PROF L KODU PROFILE CODE	PROF L ADI PROFILE NAME	Jx cm ⁴	Jy cm ⁴	A IRLIK (kg/m) WEIGHT
	682-681	KÖ E DÖNÜ PROF L CORNER PROFILE	8,18	8,18	1,084
	711-682	KÖ E DÖNÜ PROF L CORNER PROFILE	13,38	13,38	1,211
	1734-1735	KÖ E DÖNÜ PROF L CORNER PROFILE	22,18	22,18	1,465
	637	KÖ E DÖNÜ PROF L CORNER PROFILE	-	-	0,181
	712	KÖ E DÖNÜ PROF L CORNER PROFILE	-	-	0,284
	4242	DAMLALIK PROF L DROPPER PROFILE	-	-	0,094
	7021	DAMLALIK PROF L DROPPER PROFILE	-	-	0,140
	8241	T J PROF L PROFILE	-	-	0,099
	7043	CAM ÇITASI GLAZING BEAD	-	-	0,366
	676	CAM ÇITASI GLAZING BEAD	-	-	0,331
	7036	CAM ÇITASI GLAZING BEAD	-	-	0,319
	606	CAM ÇITASI GLAZING BEAD	-	-	0,299
	792	CAM ÇITASI GLAZING BEAD	-	-	0,301
	7023	CAM ÇITASI GLAZING BEAD	-	-	0,294
	770	CAM ÇITASI GLAZING BEAD	-	-	0,270
	664	CAM ÇITASI GLAZING BEAD	-	-	0,266
	665	CAM ÇITASI GLAZING BEAD	-	-	0,253
	791	CAM ÇITASI GLAZING BEAD	-	-	0,239
	793	CAM ÇITASI GLAZING BEAD	-	-	0,235
	772	CAM ÇITASI GLAZING BEAD	-	-	0,225
	771	CAM ÇITASI GLAZING BEAD	-	-	0,165

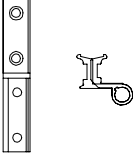
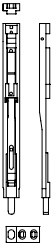
PROF L KES T PROFILE SECTION	PROF L KODU PROFILE CODE	PROF L ADI PROFILE NAME	Jx cm ⁴	Jy cm ⁴	A IRLIK (kg/m) WEIGHT
	1664	KÖ E TAKOZ PROF L CORNER WEDGE PROFILE	-	-	3,991
	389	KÖ E TAKOZ PROF L CORNER WEDGE PROFILE	-	-	1,338
	598	KÖ E TAKOZ PROF L CORNER WEDGE PROFILE	-	-	1,667
	2371	KÖ E TAKOZ PROF L CORNER WEDGE PROFILE	-	-	2,241
	3546	KÖ E TAKOZ PROF L CORNER WEDGE PROFILE	-	-	3,357
	387	KÖ E TAKOZ PROF L CORNER WEDGE PROFILE	-	-	0,970
	7040	KÖ E TAKOZ PROF L CORNER WEDGE PROFILE	-	-	3,998
	01 130306				
	01 130306				

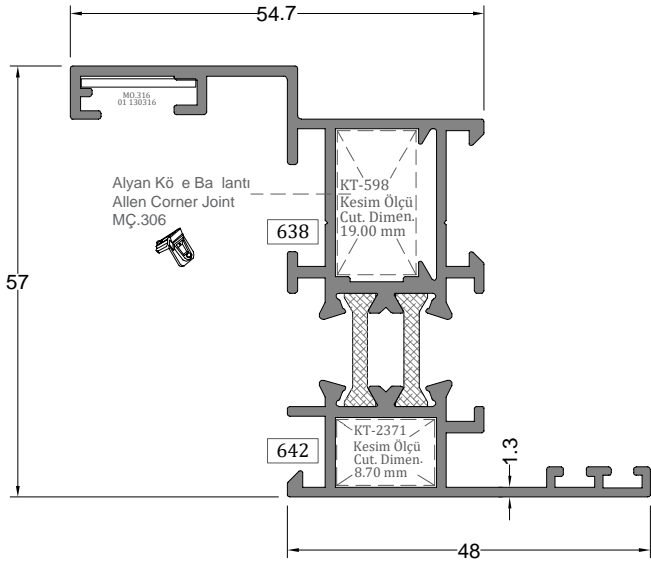
** Her profil için minimum sipari 300 kg'dır.
** Minimum order quantity is 300 kg per profile.

AKSESUAR ACCESSORY	STOK KODU REFERENCE CODE	AKSESUAR ADI DESCRIPTION	AKSESUAR KODU PRODUCT CODE	PAKET PACK
	03 010106	DI CAM F T L OUTER GLAZING GASKET	WD50T-DCF.25	10Kg/240Mt/1Pk
	03 011230	Ç CAM F T L INNER GLAZING GASKET	WD50T- CF.30	280 mt / paket 10 kg
	03 011231	Ç CAM F T L INNER GLAZING GASKET	WD50T- CF.40	220 mt / paket 10 kg
	03 010732	Ç CAM F T L INNER GLAZING GASKET	WD50T- CF.50	185 mt / paket 10 kg
	03 011020	ORTA TOZLUK F T LEPDM GASKET	WD50T-OBF.20	65 mt / paket 10 kg/mt
	03 010438	KASA KANAT F T L FRAME GASKET	WD50T-KBF.70	350 mt / paket 10 kg/mt
	01 120201	AYARLI SPANYOLET KAR ILI I(SETSKURLU) ESPAGNOLETTE(PINNED)	WD50T-TPK.201	1 pk /100 ad
	01 120200	AYARLI SPANYOLET KAR ILI I(V DALI) ESPAGNOLETTE(SCREWED)	WD50T-TPK.200	1 pk /100 ad
	01 120100	SPANYOLET P M ESPAGNOLETTE PIN	WD50T-TP.100	1 pk /100 ad
	06 140203	CAM TAKOZU (3X20X80 mm) GLAZING WEDGE 3mm	WD50T-CT.203	1 pk /1000 ad
	06 140210	CAM TAKOZU(5X28X80 mm) GLAZING WEDGE 5mm	WD50T-CT.210	1 pk /1000 ad
	06 140208	CAM TAKOZU(5X20X80 mm) GLAZING WEDGE 5mm	WD50T-CT.208	1 pk /1000 ad
	01 130318	KÖ E GÖNYE CORNER BRACKET	WD50T-KG.318	1 pk /1000 ad

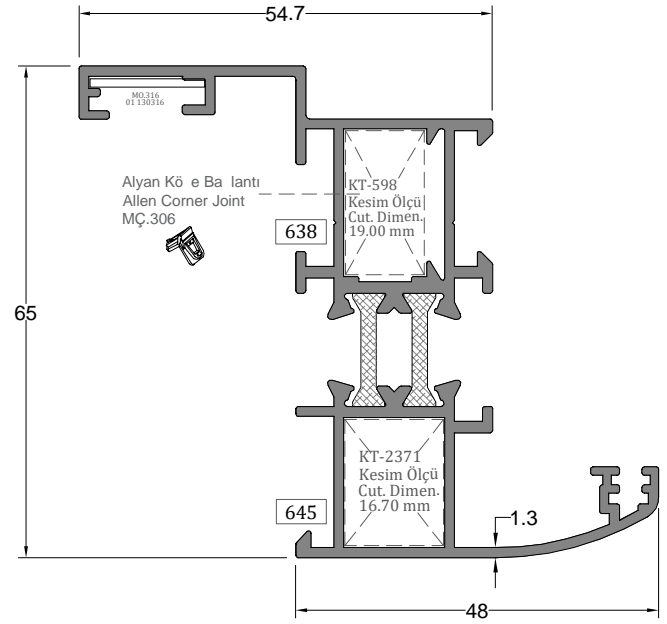
AKSESUAR ACCESSORY	STOK KODU REFERENCE CODE	AKSESUAR ADI DESCRIPTION	AKSESUAR KODU PRODUCT CODE	PAKET PACK
	01 051101	U KOL (ELOKSALLI) U-SHAPED HANDLE (ANODIZED)	WD50T-UK.101	1 pk ./10 ad
	01 031309	H KOL (ELOKSALLI) H-SHAPED HANDLE (ANODIZED)	WD50T-HK.309	1 pk ./10 ad
	01 030401	KIVRIK KOL (ELOKSALLI) CONVOLUTED HANDLE (ANODIZED)	WD50T-VK.401	1 pk ./10 ad
	01 040902	FORZA KAPI KOLU(BEYAZ) FORZA DOOR HANDLE(WHITE)	WD50T-FK.902	1 pk ./10 ad
	01 040903	FORZA KAPI KOLU(RENKL) FORZA DOOR HANDLE(COLOURED)	WD50T-FK.903	1 pk ./10 ad
	01 040904	FORZA KAPI KOLU(NATUREL) FORZA DOOR HANDLE(NATURAL)	WD50T-FK.904	1 pk ./10 ad
	01 040104	YAYLI SOS S KOL SPRING DOOR HANDLE	WD50T-YK.104	1 pk ./50 ad
	01 040109	YAYLI SOS S KOL BAREL ROZET SPRING DOOR HANDLE CYLINDER BADGE	WD50T-BR.109	1 pk ./2 ad
	01 020810	FORZA EKSENEL KOL YEN (NATUREL) FORZA NEW AXIEL HANDLE(NATURAL)	WD50T-EK.810	1 pk ./50 ad
	01 020811	FORZA EKSENEL KOL YEN (BEYAZ) FORZA NEW AXIEL HANDLE(WHITE)	WD50T-EK.811	1 pk ./50 ad
	01 020812	FORZA EKSENEL KOL YEN (RENKL) FORZA NEW AXIEL HANDLE(COLOURED)	WD50T-EK.812	1 pk ./50 ad
	01 020702	FORZA EKSENEL PENCERE KOL(BEYAZ) FORZA AXIAL WINDOW HANDLE(WHITE)	WD50T-FPK.702	1 pk ./20 ad
	01 020703	FORZA EKSENEL PENCERE KOL(RENKL) FORZA AXIAL WINDOW HANDLE(COLORED)	WD50T-FPK.703	1 pk ./20 ad
	01 020803	FORZA EKSENEL PENCERE KOL(NATUREL) FORZA WINDOW AXIAL HANDLE (NATURAL)	WD50T-FPK.803	1 pk ./20 ad
	01 020601	EKSENEL KOL ROTO(ELOKSALLI) ROTO AXIAL HANDLE(ANODIZED)	WD50T-RK.601	1 pk ./10 ad
	01 020604	EKSENEL KOL ROTO(ELOKSALLI K L TL) ROTO AXIAL HANDLE(ANODIZED LOCKED)	WD50T-RK604	1 pk ./10 ad
	01 120210	S STEM KANAT KALDIRMA TAKOZU SASH ADJUSTING BRACKET	WD50T-KST.210	1 pk ./50 ad
	01 081702	S STEM AYARLI VAS STAS ÇARPMA(NATUREL) SYSTEM TRANSOM CATCH (NATURAL)	WD50T-VÇ.702	1 pk ./100 ad
	01 081703	S STEM AYARLI VAS STAS ÇARPMA(BEYAZ) SYSTEM TRANSOM CATCH (WHITE)	WD50T-VÇ.703	1 pk ./100 ad
	01 081704	S STEM AYARLI VAS STAS ÇARPMA(RENKL) SYSTEM TRANSOM CATCH (CLORED)	WD50T-VÇ.704	1 pk ./100 ad

AKSESUAR ACCESSORY	STOK KODU REFERENCE CODE	AKSESUAR ADI DESCRIPTION	AKSESUAR KODU PRODUCT CODE	PAKET PACK
	05 010401	153/ 35 MM D LL K L T BOLT LOCK	WD55T-DK.401	1 pk ./30 ad
	05 010405	155/ 35 MM MAKARALI K L T ROLLED LOCK	WD55T-MK.405	1 pk ./30 ad
	05 011103	76 MM BAREL 76 MM CYLINDER	WD55T-BR.103	1 pk ./24 ad
	01 060210	OVAL SER K L T KAR ILI I(GALVAN Z) OVAL SERIES LOCK STRIKER(GALVANIZE)	WD55T-KK.210	1 pk ./50 ad
	01 060301	S STEM K L T KAR ILI I D LL (ELOKSALLI) SYSTEM BOLT LOCK STRIKER(ANODIZED)	WD55T-DK.301	1 pk ./50 ad
	04 010115	SAB T PERDEL YA MUR TAHL YE KAPAK WATER DRAIN COVER (FIXED)	WD55T-TK.115	1 pk ./100 ad
	04 010112	HAREKETL PERDEL YA MUR TAHL YE KAPAK WATER DRAIN COVER (MOVEABLE)	WD55T-TK.112	1 pk ./100ad
	01 130314	KÖ E ÇAVU U CORNER CONNECTION	WD55T-FJ.314	1 pk ./50 ad
	01 150200	ALÜM NYUM KAPI ALTI FIRÇA ALUMINIUM DOORBASE BRUSH	WD55T-KF.200	1 pk ./100 ad
	01 130306		MÇ.306	
	01 130327		MÇ.327	

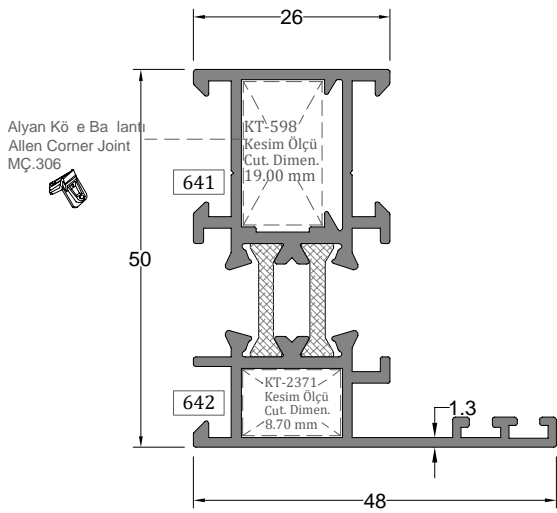
AKSESUAR ACCESSORY	STOK KODU REFERENCE CODE	AKSESUAR ADI DESCRIPTION	AKSESUAR KODU PRODUCT CODE	PAKET PACK
	01 010901	S STEM PENCERE MENTE E (ELOKSALLI) SYSTEM WINDOW HINGE (ANODIZED)	WD50T-PM.901	1 pk ./10 ad
	01 010902	S STEM PENCERE MENTE E (BEYAZ) SYSTEM WINDOW HINGE (WHITE)	WD50T-PM.902	1 pk ./10 ad
	01 010903	S STEM PENCERE MENTE E (RENKL) SYSTEM WINDOW HINGE (COLORED)	WD50T-PM.903	1 pk ./10 ad
	01 070201	S STEM UZUN ZAMAK SÜRGÜ(NATUREL) SYSTEM ZAMAK LATCH (NATURAL)	WD50T-FS.201	1 pk ./10 ad
	01 070202	S STEM UZUN ZAMAK SÜRGÜ(BEYAZ) SYSTEM ZAMAK LATCH (WHITE)	WD50T-FS.202	1 pk ./10 ad
	01 070203	S STEM UZUN ZAMAK SÜRGÜ(RENKL) SYSTEM ZAMAK LATCH (COLORED)	WD50T-FS.203	1 pk ./10 ad



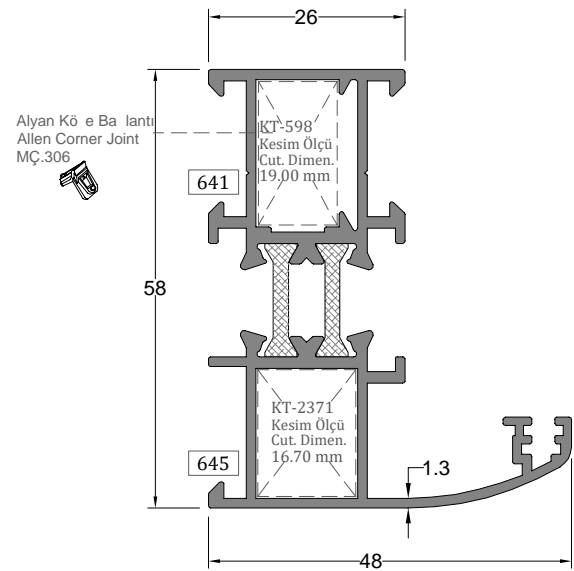
Kasa Profili	Profil Kodu	(kg/mt)	Jx cm ⁴	Jy cm ⁴
FRAME PROFILE	Profile Code	weight		
	638-642	1,234	16,38	10,33



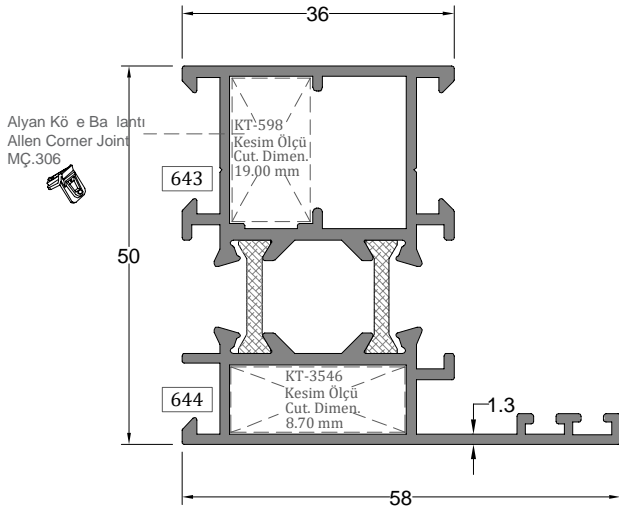
Kasa Profili	Profil Kodu	(kg/mt)	Jx cm ⁴	Jy cm ⁴
FRAME PROFILE	Profile Code	weight		
	638-645	1,319	21,56	11,74



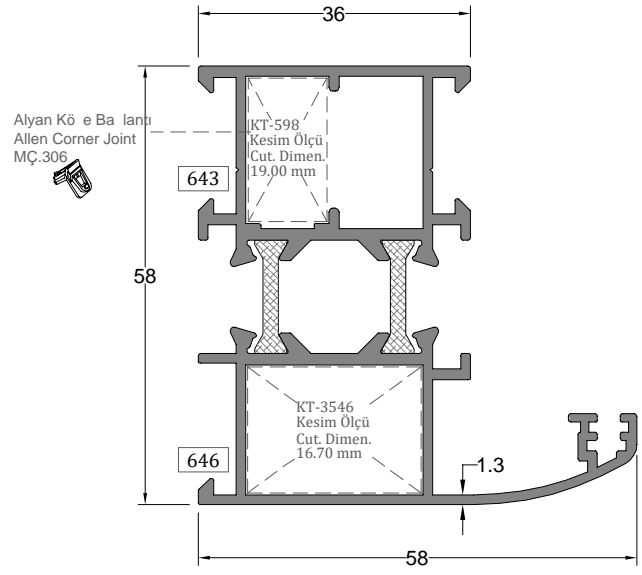
Kasa Profili	Profil Kodu	(kg/mt)	Jx cm ⁴	Jy cm ⁴
FRAME PROFILE	Profile Code	weight		
	641-642	1,027	9,83	4,22



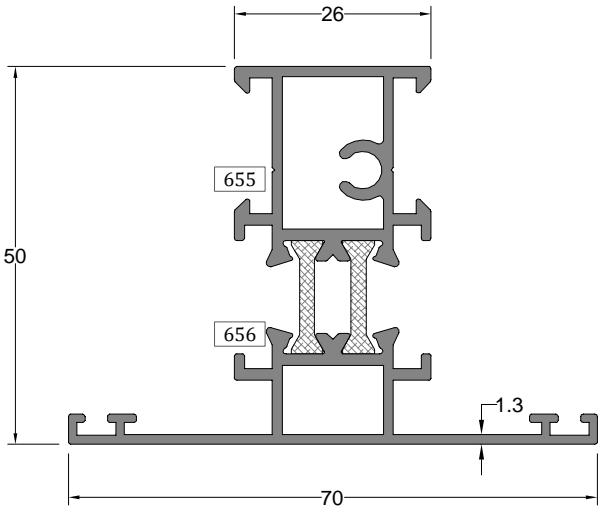
Kasa Profili	Profil Kodu	(kg/mt)	Jx cm ⁴	Jy cm ⁴
FRAME PROFILE	Profile Code	weight		
	641-645	1,123	13,54	5,29



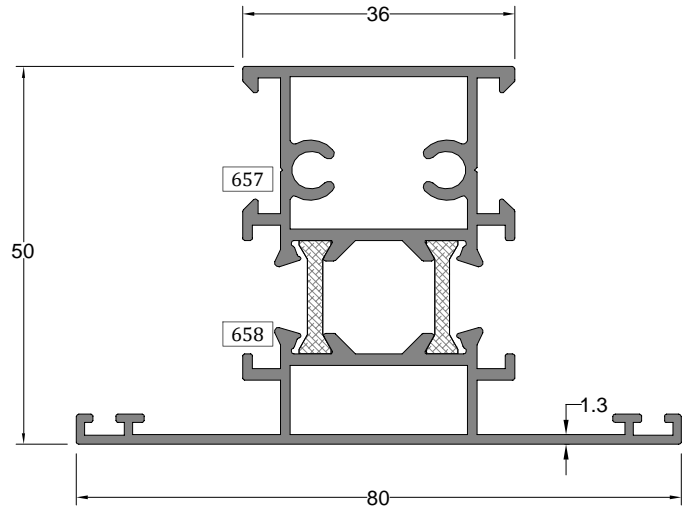
Kasa Profili FRAME PROFILE	Profil Kodu Profile Code	(kg/mt) weight	Jx cm ⁴	Jy cm ⁴
	643-644	1,209	11,69	8,14



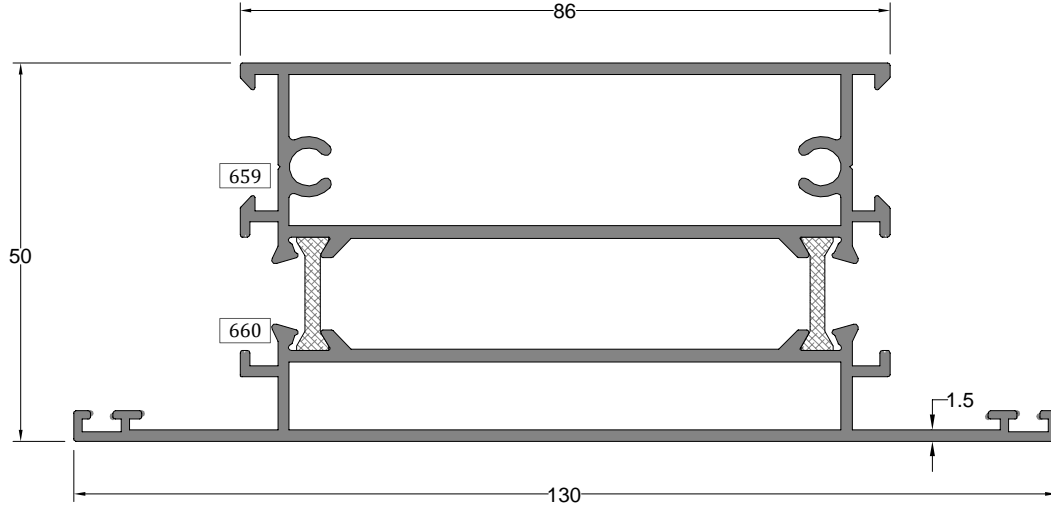
Kasa Profili FRAME PROFILE	Profil Kodu Profile Code	(kg/mt) weight	Jx cm ⁴	Jy cm ⁴
	643-646	1,295	15,92	9,76



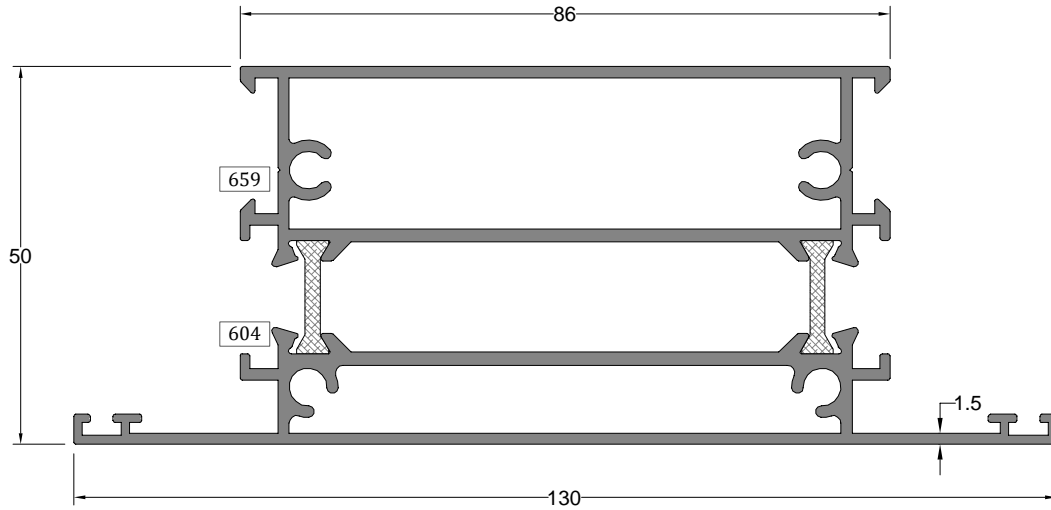
Orta Kayıt Profili MULLION PROFILE	Profil Kodu Profile Code	(kg/mt) weight	Jx cm ⁴	Jy cm ⁴
	655-656	1,162	11,42	7,05



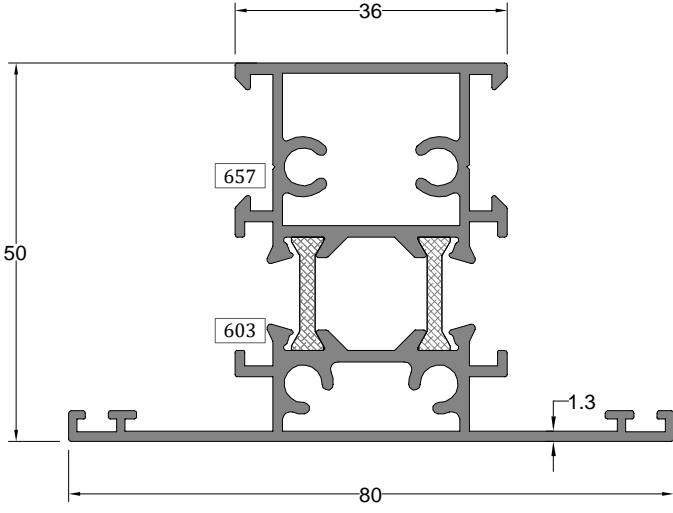
Orta Kayıt Profili MULLION PROFILE	Profil Kodu Profile Code	(kg/mt) weight	Jx cm ⁴	Jy cm ⁴
	657-658	1,388	13,76	12,30



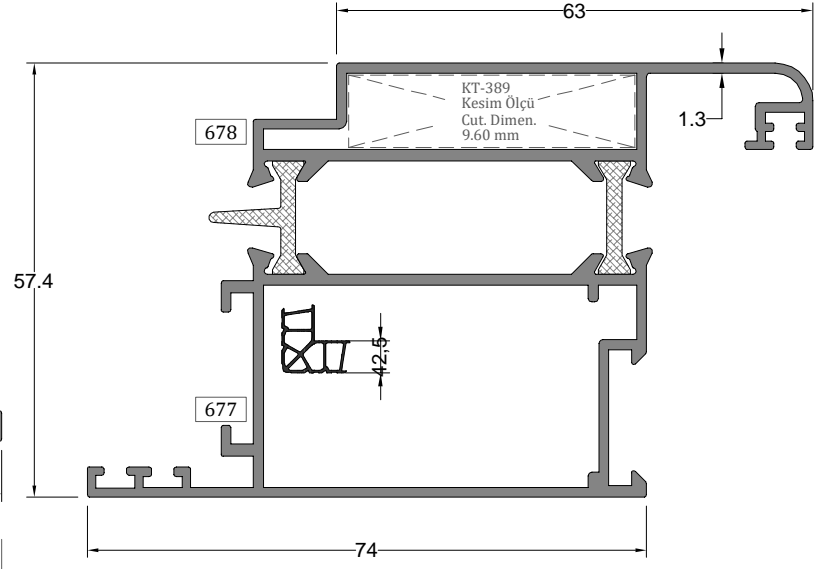
Orta Kayıt Profili	Profil Kodu	(kg/mt)	Jx cm ⁴	Jy cm ⁴
MULLION PROFILE	Profile Code	weight		
	659-660	2,333	25,13	84,25



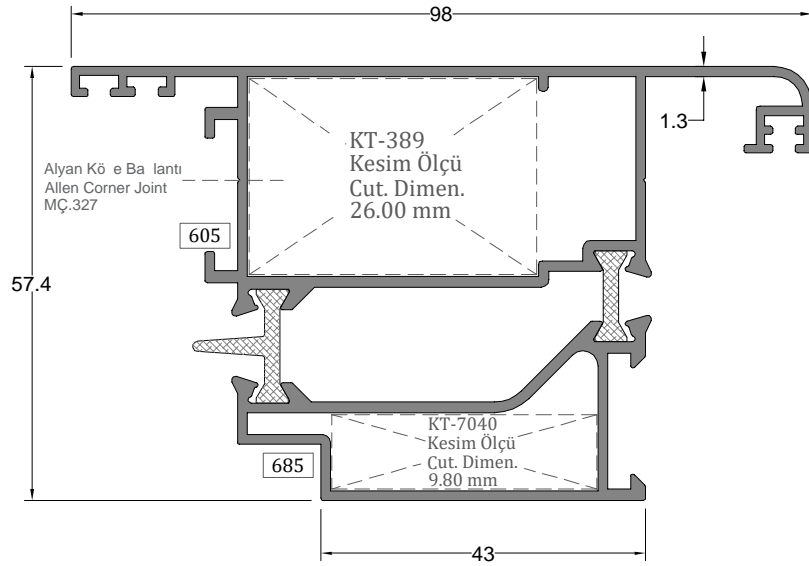
Orta Kayıt Profili	Profil Kodu	(kg/mt)	Jx cm ⁴	Jy cm ⁴
MULLION PROFILE	Profile Code	weight		
	659-604	2,418	25,73	87,74



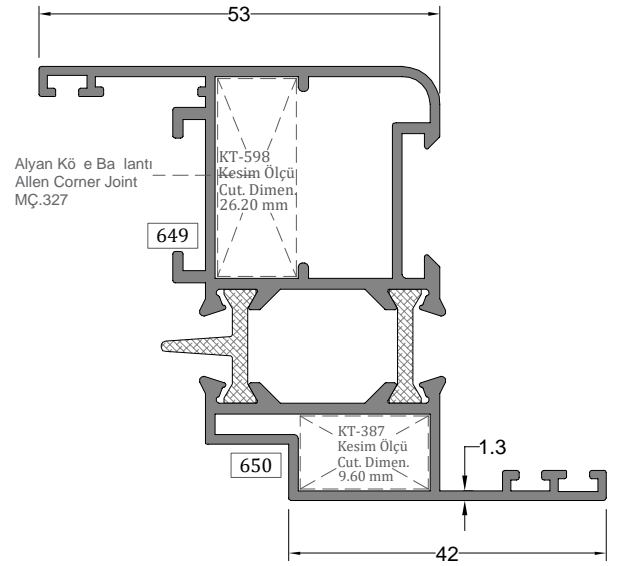
Orta Kayıt Profili MULLION PROFILE	Profil Kodu Profile Code	(kg/mt) weight	Jx cm ⁴	Jy cm ⁴
	657-603	1,479	14,36	12,57



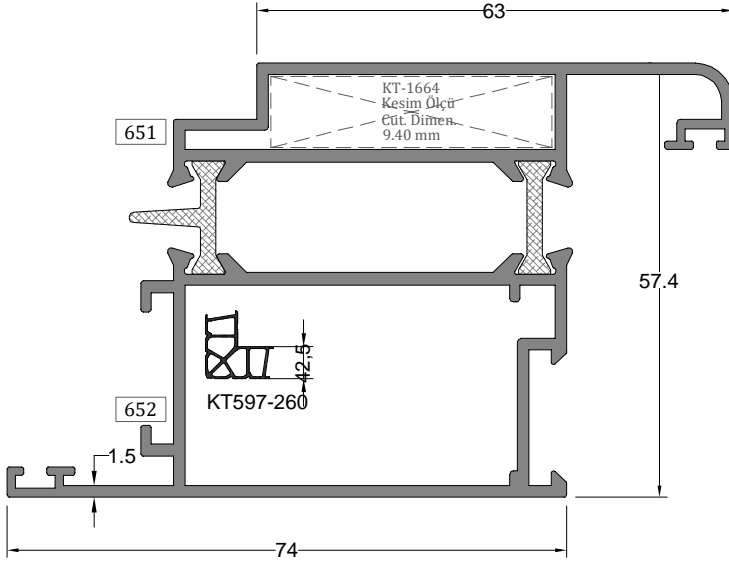
Orta Kayıt Profili MULLION PROFILE	Profil Kodu Profile Code	(kg/mt) weight	Jx cm ⁴	Jy cm ⁴
	678-677	1,711	23,77	33,23



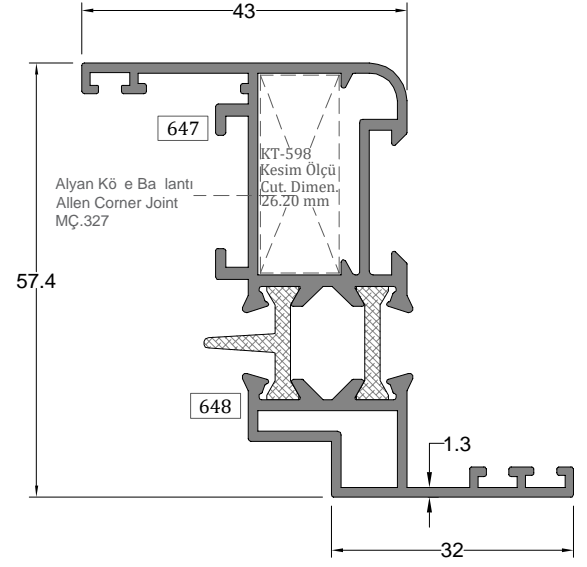
Kanat Profili SASH PROFILE	Profil Kodu Profile Code	(kg/mt) weight	Jx cm ⁴	Jy cm ⁴
	605-685	1,738	35,33	23,00



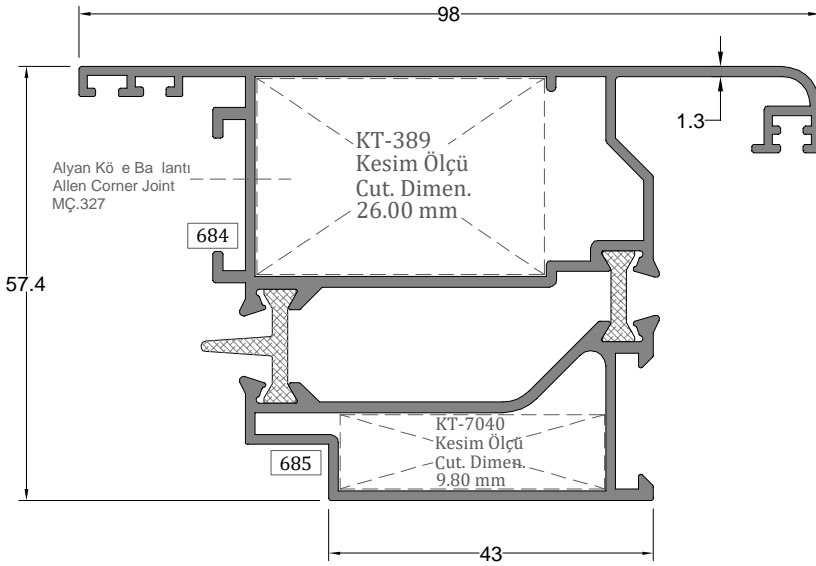
Kanat Profili SASH PROFILE	Profil Kodu Profile Code	(kg/mt) weight	Jx cm ⁴	Jy cm ⁴
	649-650	1,336	17,70	11,22



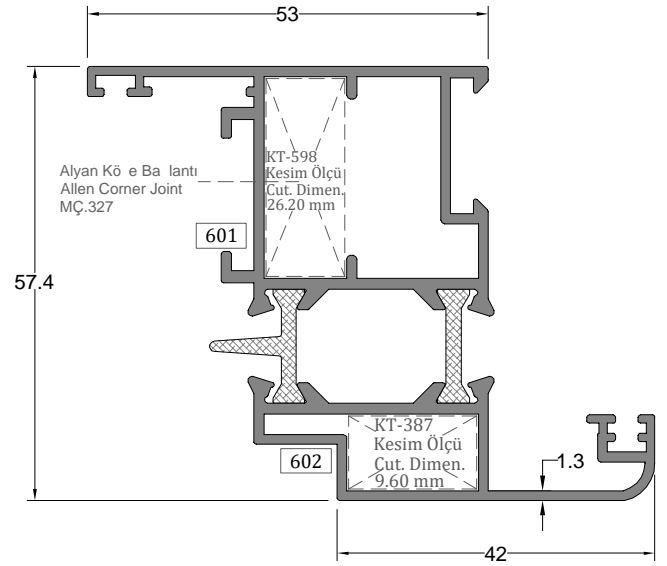
Kanat Profili	Profil Kodu	(kg/mt)	Jx cm ⁴	Jy cm ⁴
SASH PROFILE	Profile Code	weight		
	651-652	1,833	25,36	34,14



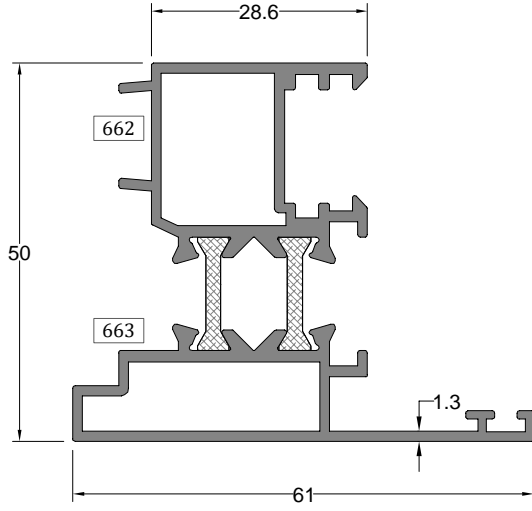
Kanat Profili	Profil Kodu	(kg/mt)	Jx cm ⁴	Jy cm ⁴
SASH PROFILE	Profile Code	weight		
	647-648	1,183	15,28	6,38



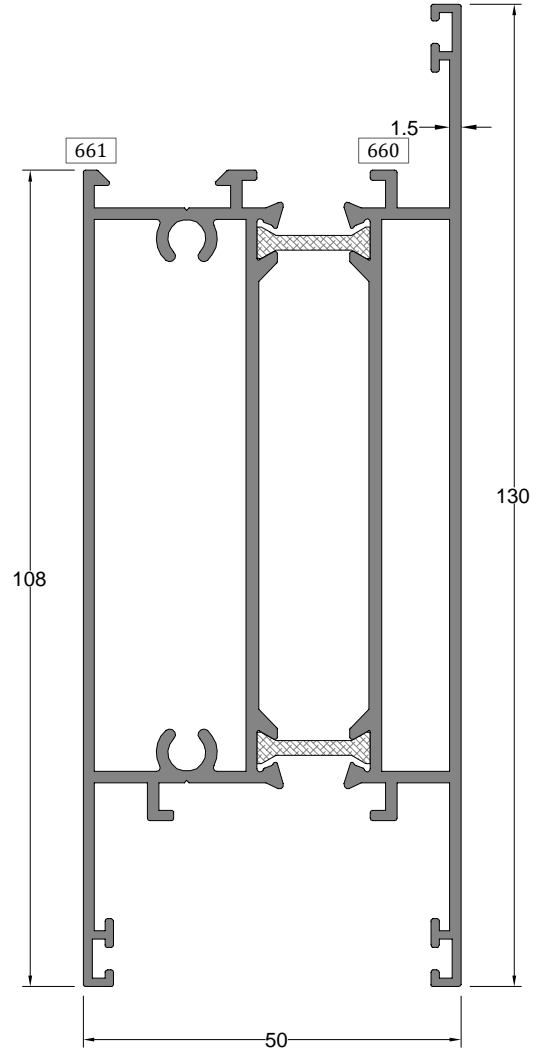
Kanat Profili	Profil Kodu	(kg/mt)	Jx cm ⁴	Jy cm ⁴
SASH PROFILE	Profile Code	weight		
	684-685	1,746	23,04	35,16



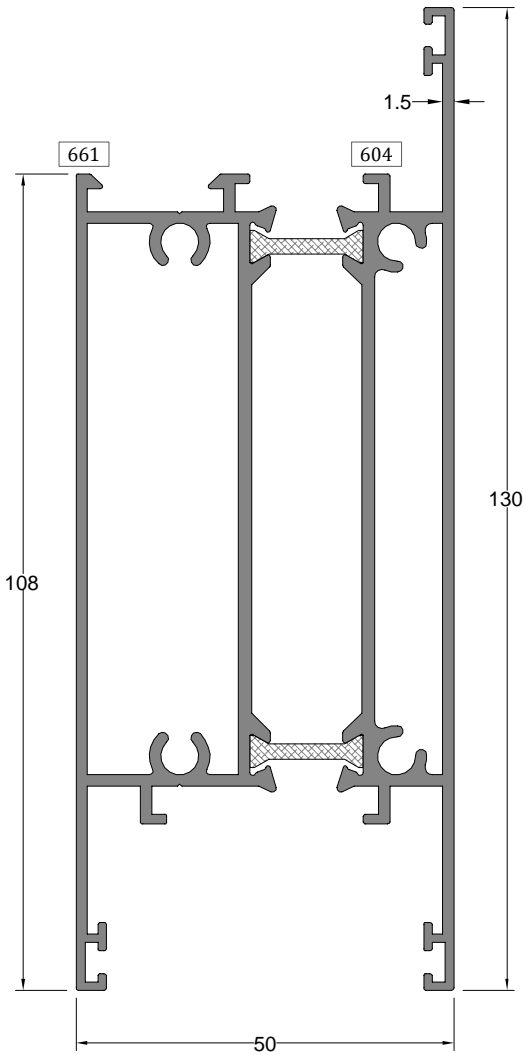
Kanat Profili	Profil Kodu	(kg/mt)	Jx cm ⁴	Jy cm ⁴
SASH PROFILE	Profile Code	weight		
	601-602	1,711	18,30	13,39



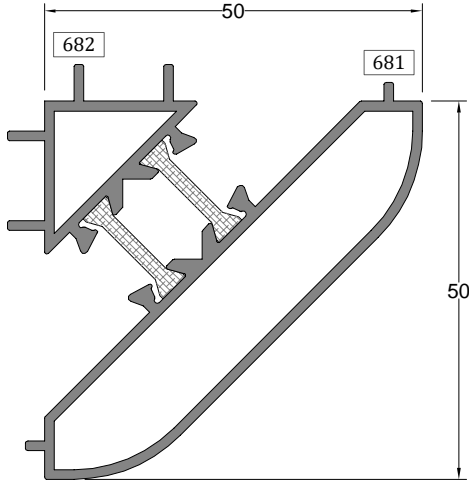
Adaptör Profili ADAPTER PROFILE	Profil Kodu Profile Code	(kg/mt) weight	Jx cm ⁴	Jy cm ⁴
	662-663	1,177	11,41	7,02



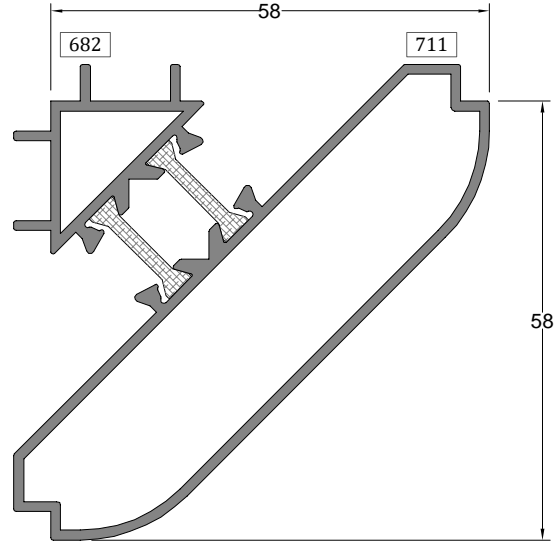
Etek Profili BOTTOM PROFILE	Profil Kodu Profile Code	(kg/mt) weight	Jx cm ⁴	Jy cm ⁴
	660-661	2,429	95,47	28,14



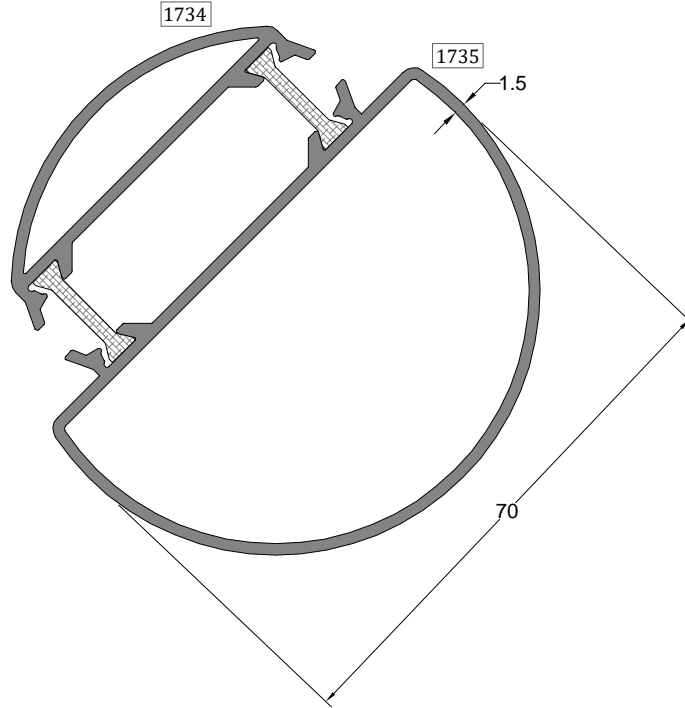
Etek Profili BOTTOM PROFILE	Profil Kodu Profile Code	(kg/mt) weight	Jx cm ⁴	Jy cm ⁴
	604-661	2,514	98,98	28,85



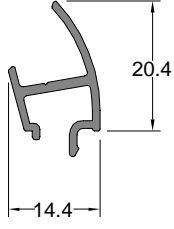
Kö e Dönü Profili CORNER PROFILE	Profil Kodu Profile Code	(kg/mt) weight	Jx cm ⁴	Jy cm ⁴
	682-681	1,084	8,18	8,18



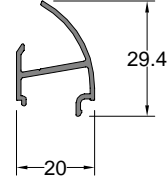
Kö e Dönü Profili CORNER PROFILE	Profil Kodu Profile Code	(kg/mt) weight	Jx cm ⁴	Jy cm ⁴
	711-682	1,211	13,38	13,38



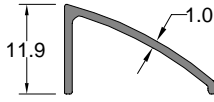
Kö e Dönü Profili CORNER PROFILE	Profil Kodu Profile Code	(kg/mt) weight	Jx cm ⁴	Jy cm ⁴
	1734-1735	1,465	22,18	22,18



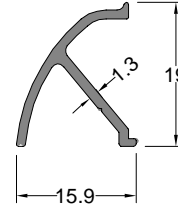
Kö e Dönü Profili CORNER PROFILE	Profil Kodu Profile Code	(kg/mt) weight
	637	0,181



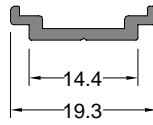
Kö e Dönü Profili CORNER PROFILE	Profil Kodu Profile Code	(kg/mt) weight
	712	0,284



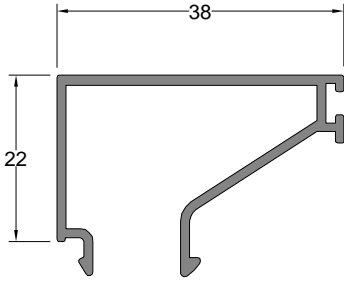
Damlalık Profili DROPPER PROFILE	Profil Kodu Profile Code	(kg/mt) weight
	4242	0,094



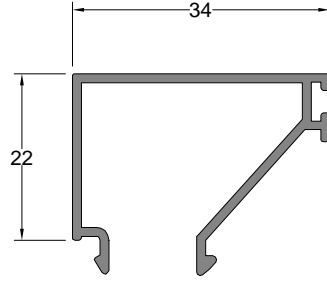
Damlalık Profili DROPPER PROFILE	Profil Kodu Profile Code	(kg/mt) weight
	7021	0,140



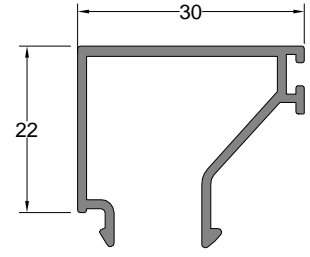
Tij Profili DROPPER PROFILE	Profil Kodu Profile Code	(kg/mt) weight
	8241	0,099



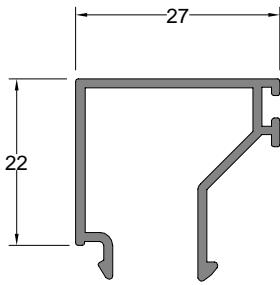
Cam Çıtası	Profil Kodu	(kg/mt)
GLAZING BEAD	Profile Code	Weight
	7043	0,366



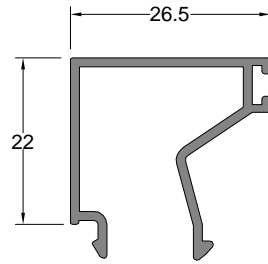
Cam Çıtası	Profil Kodu	(kg/mt)
GLAZING BEAD	Profile Code	Weight
	676	0,331



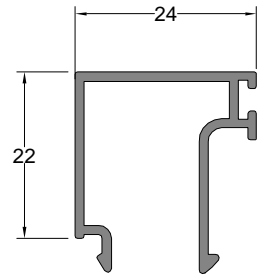
Cam Çıtası	Profil Kodu	(kg/mt)
GLAZING BEAD	Profile Code	Weight
	7036	0,319



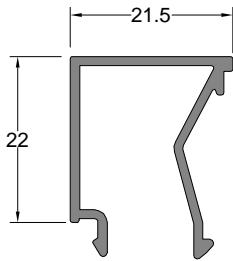
Cam Çıtası	Profil Kodu	(kg/mt)
GLAZING BEAD	Profile Code	Weight
	606	0,299



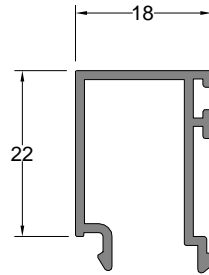
Cam Çıtası	Profil Kodu	(kg/mt)
GLAZING BEAD	Profile Code	Weight
	792	0,301



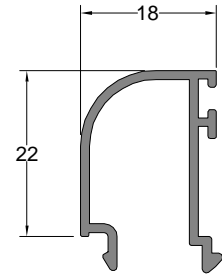
Cam Çıtası	Profil Kodu	(kg/mt)
GLAZING BEAD	Profile Code	Weight
	7023	0,294



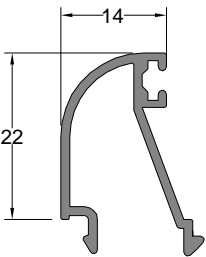
Cam Çıtası	Profil Kodu	(kg/mt)
GLAZING BEAD	Profile Code	Weight
	770	0,270



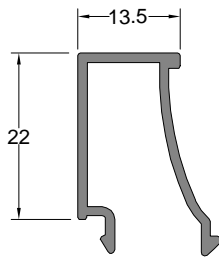
Cam Çıtası	Profil Kodu	(kg/mt)
GLAZING BEAD	Profile Code	Weight
	664	0,266



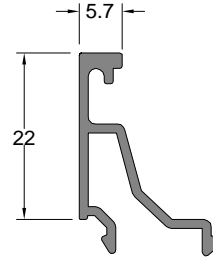
Cam Çıtası	Profil Kodu	(kg/mt)
GLAZING BEAD	Profile Code	Weight
	665	0,253



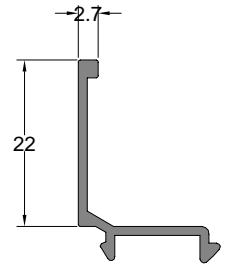
Cam Çıtası	Profil Kodu	(kg/mt)
GLAZING BEAD	Profile Code	Weight
	791	0,239



Cam Çıtası	Profil Kodu	(kg/mt)
GLAZING BEAD	Profile Code	Weight
	793	0,235



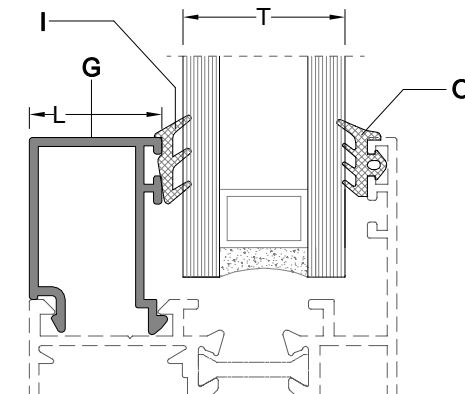
Cam Çıtası	Profil Kodu	(kg/mt)
GLAZING BEAD	Profile Code	Weight
	772	0,225

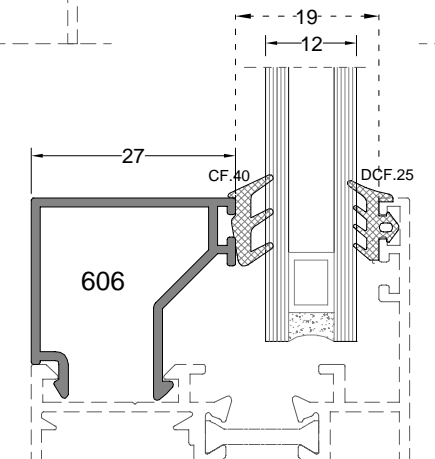
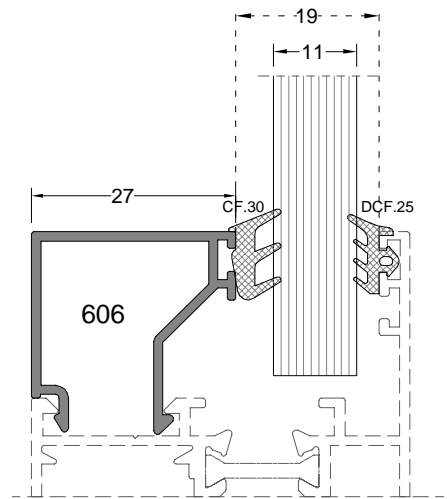
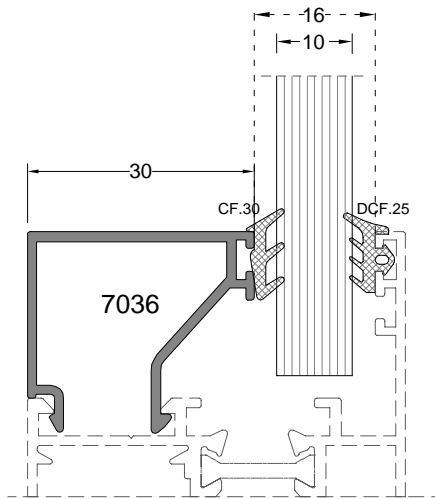
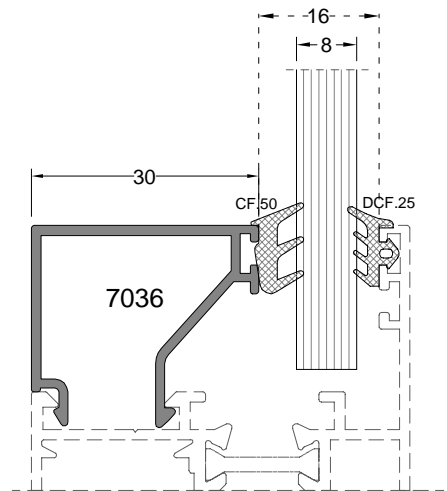
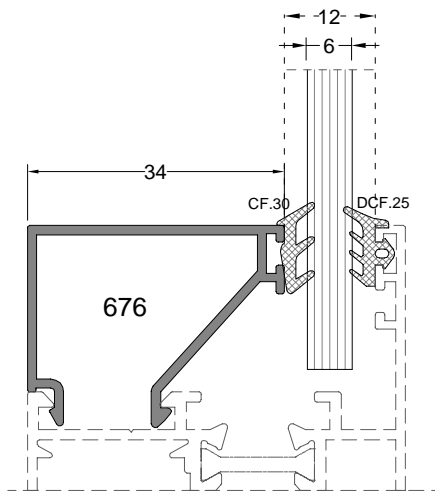
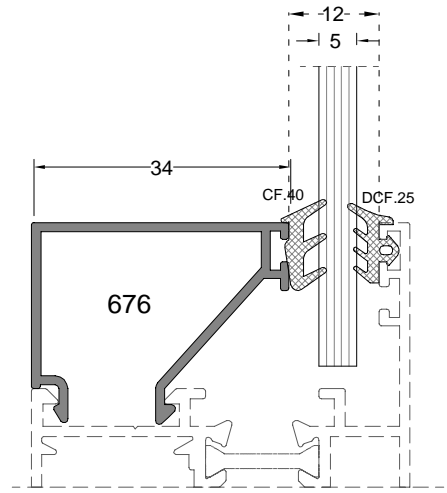
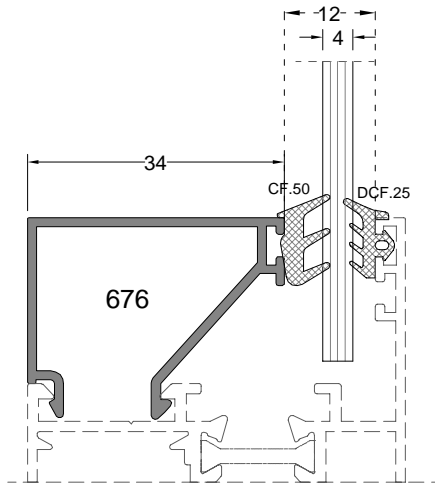


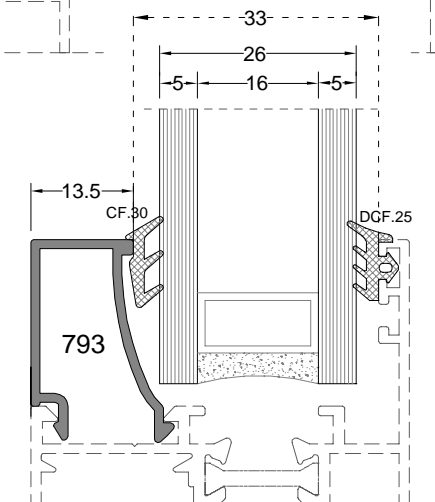
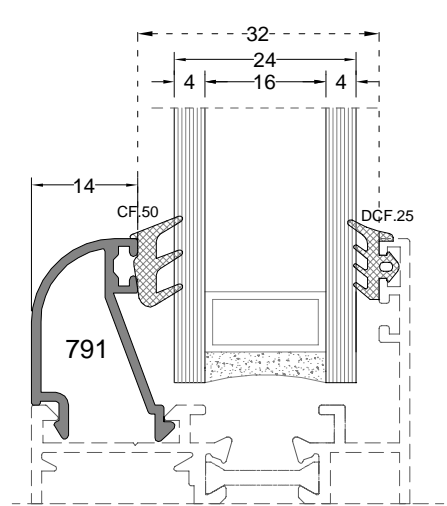
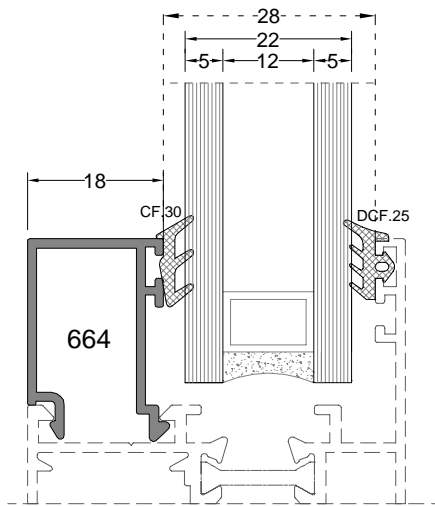
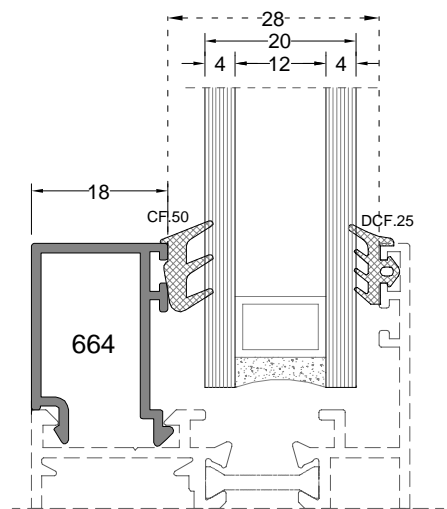
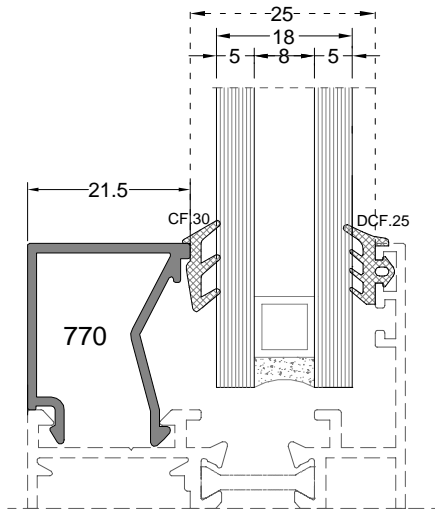
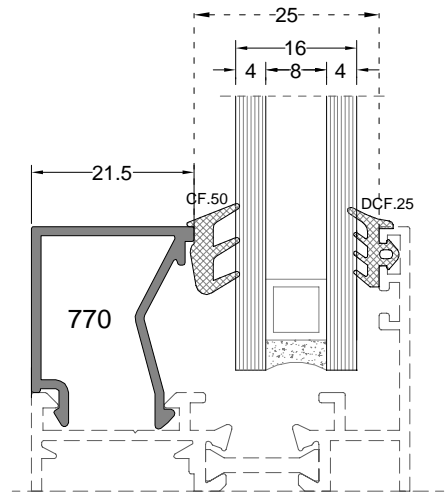
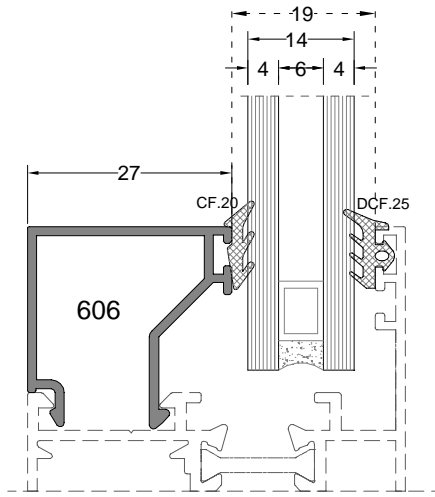
Cam Çıtası	Profil Kodu	(kg/mt)
GLAZING BEAD	Profile Code	Weight
	771	0,165

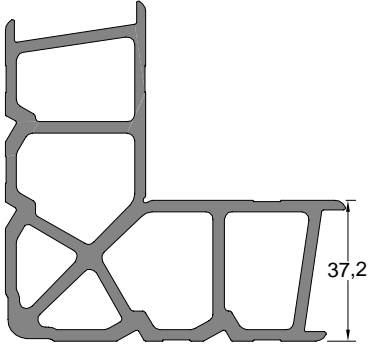
** Her profil için minimum sipari 300 kg'dır.
** Minimum order quantity is 300 kg per profile.

CAM ÇİTASI GLAZING BEAD (G)	CAM ÇİTASI UZUNLU Ğ GLAZING BEAD LENGTH (L)	Ç CAM F T L GLAZING GASKET(inside) (I)	CAM KALINLI Ğ GLASS THICKNESS (T)	DI CAM F T L GLAZING GASKET(outside) (O)
676	34 mm	CF.50	4 mm	DCF.25
676	34 mm	CF.40	5 mm	DCF.25
676	34 mm	CF.30	6 mm	DCF.25
7036	30 mm	CF.50	8 mm	DCF.25
7036	30 mm	CF.30	10 mm	DCF.25
606	27 mm	CF.30	11 mm	DCF.25
606	27 mm	CF.40	12 mm	DCF.25
606	27 mm	CF.20	14 mm	DCF.25
770	21,5 mm	CF.50	16 mm	DCF.25
770	21,5 mm	CF.30	18 mm	DCF.25
664	18 mm	CF.50	20 mm	DCF.25
664	21,5 mm	CF.30	22 mm	DCF.25
791	14 mm	CF.50	24 mm	DCF.25
793	13,5 mm	CF.30	26 mm	DCF.25

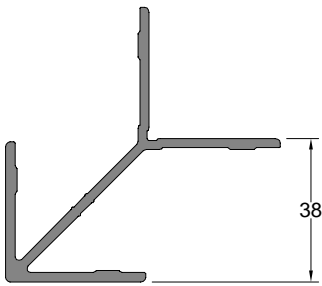




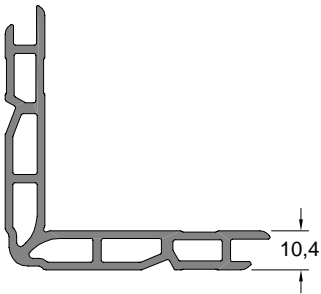




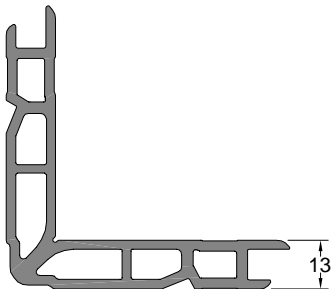
Köşe Takozu Profil Kodu Corner Wedge Profile Code	Kullanılan Diğer Profil Profile Used	Kesim Boyu (mm) Cutting Length (mm)
1664	652	9,40 mm



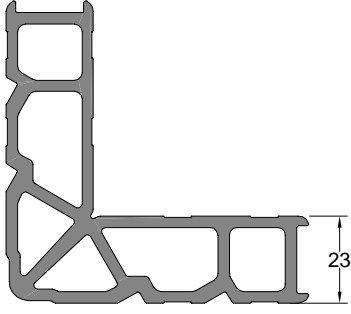
Köşe Takozu Profil Kodu Corner Wedge Profile Code	Kullanılan Diğer Profil Profile Used	Kesim Boyu (mm) Cutting Length (mm)
389	605	26,00 mm
	678	9,60 mm
	684	26,00 mm



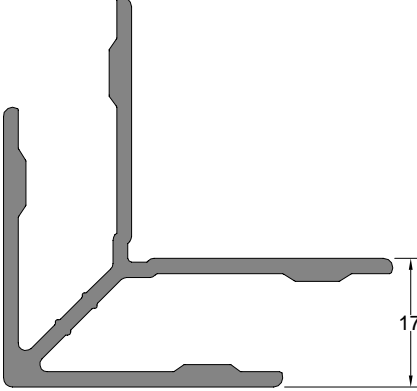
Köşe Takozu Profil Kodu Corner Wedge Profile Code	Kullanılan Diğer Profil Profile Used	Kesim Boyu (mm) Cutting Length (mm)
598	638	19,00 mm
	641	19,00 mm
	643	19,00 mm
	601	26,20 mm
	649	26,20 mm
	647	26,20 mm



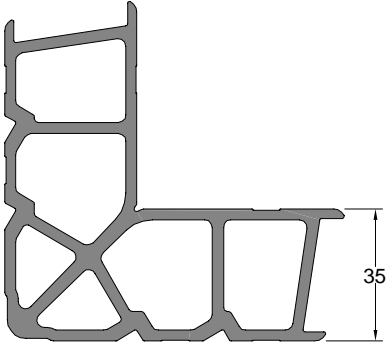
Köşe Takozu Profil Kodu Corner Wedge Profile Code	Kullanılan Diğer Profil Profile Used	Kesim Boyu (mm) Cutting Length (mm)
2371	642	8,70 mm
	645	16,70 mm



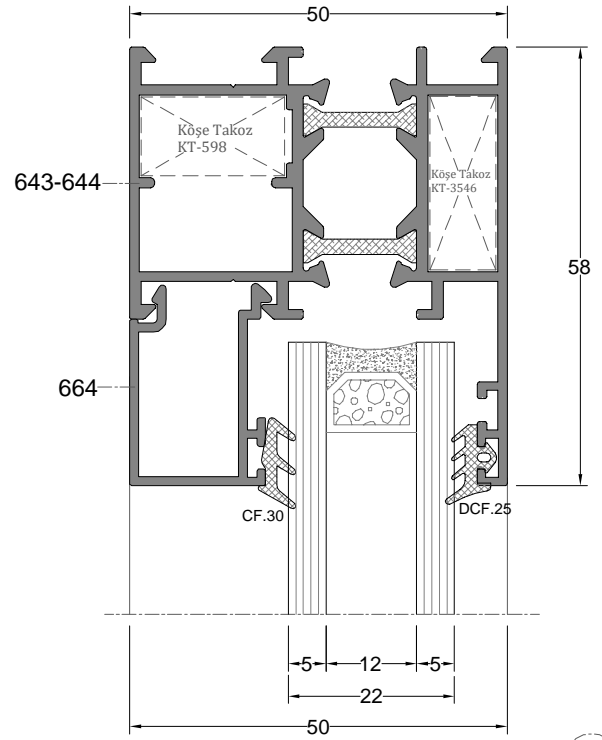
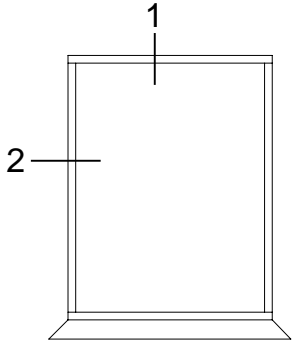
Kö e Tako zu Profil Kodu Corner Wedge Profile Code	Kullanıldı ı Profil Profile Used	Kesim Boyu (mm) Cutting Length (mm)
3546	644	8,70 mm
	646	16,70 mm



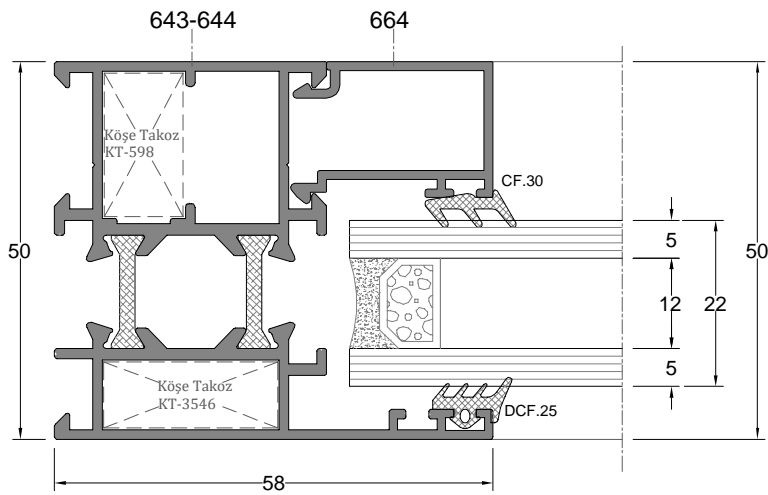
Kö e Tako zu Profil Kodu Corner Wedge Profile Code	Kullanıldı ı Profil Profile Used	Kesim Boyu (mm) Cutting Length (mm)
387	602	9,60 mm
	650	9,60 mm



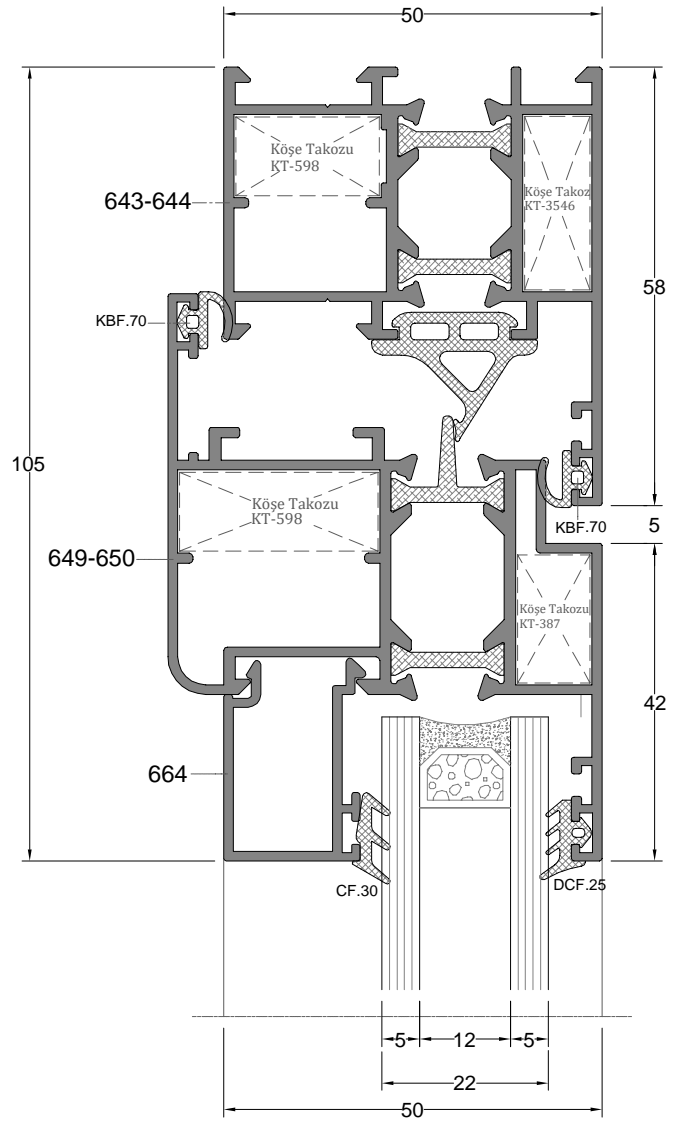
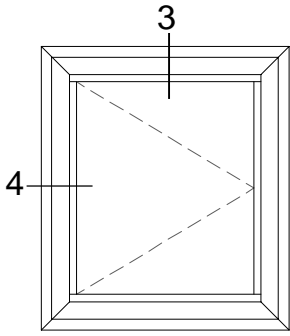
Kö e Tako zu Profil Kodu Corner Wedge Profile Code	Kullanıldı ı Profil Profile Used	Kesim Boyu (mm) Cutting Length (mm)
7040	685	9,80 mm



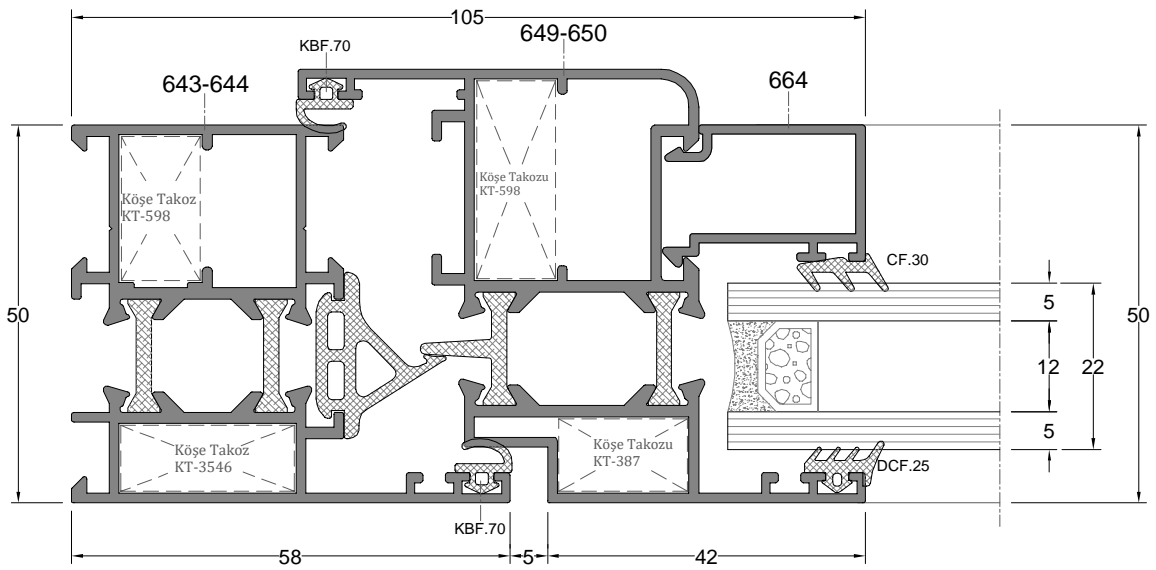
D-1



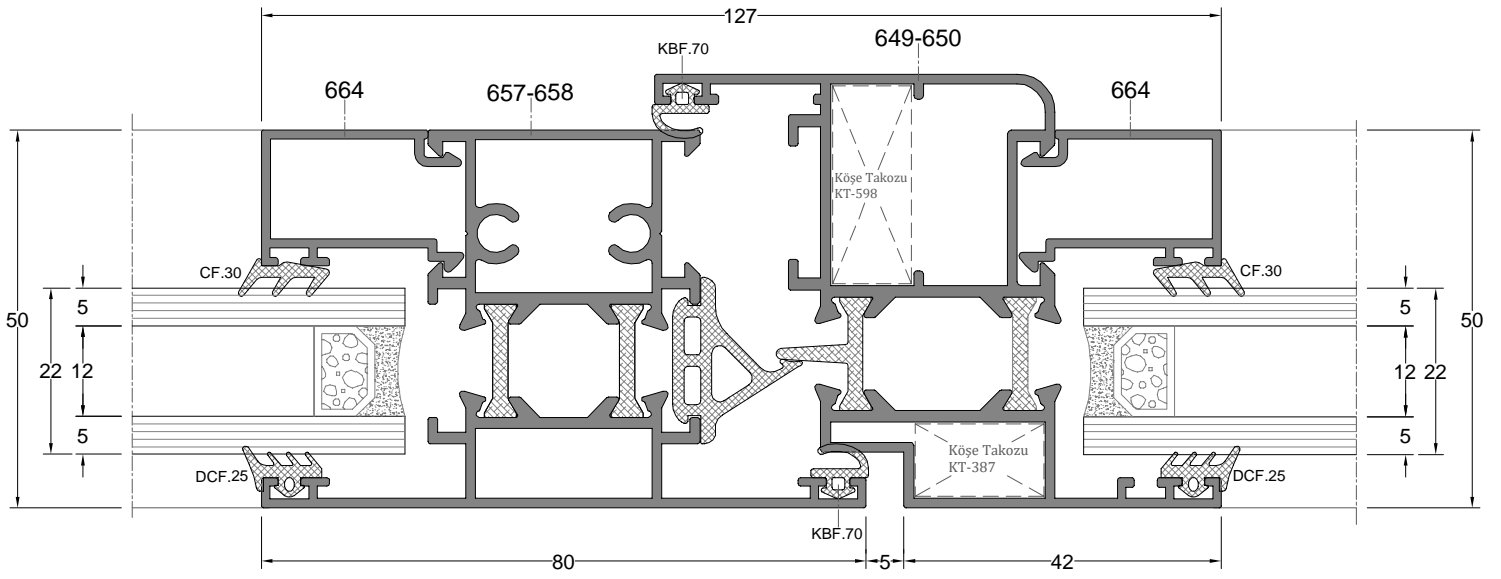
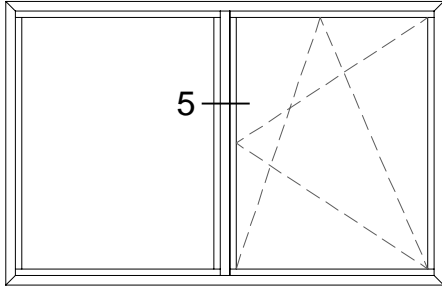
D-2



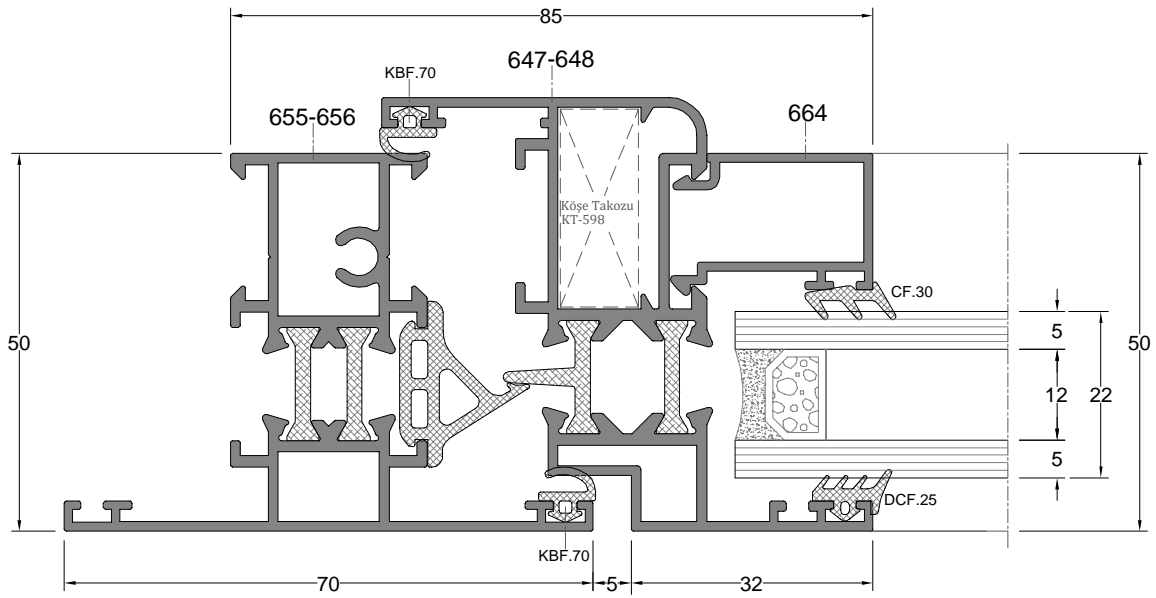
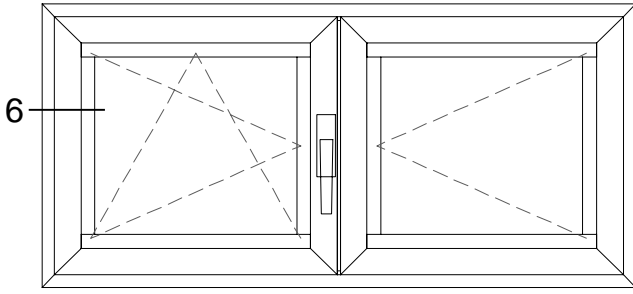
D-3



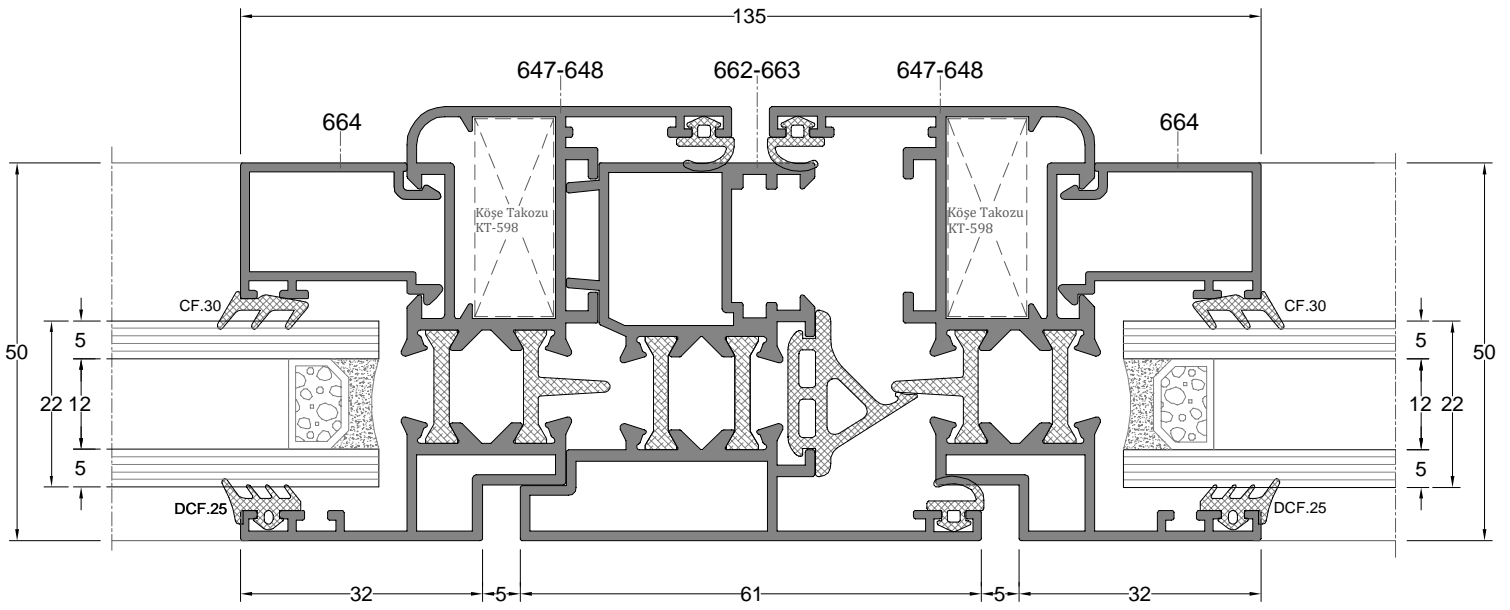
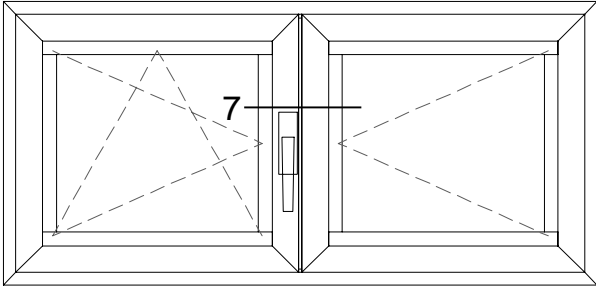
D-4



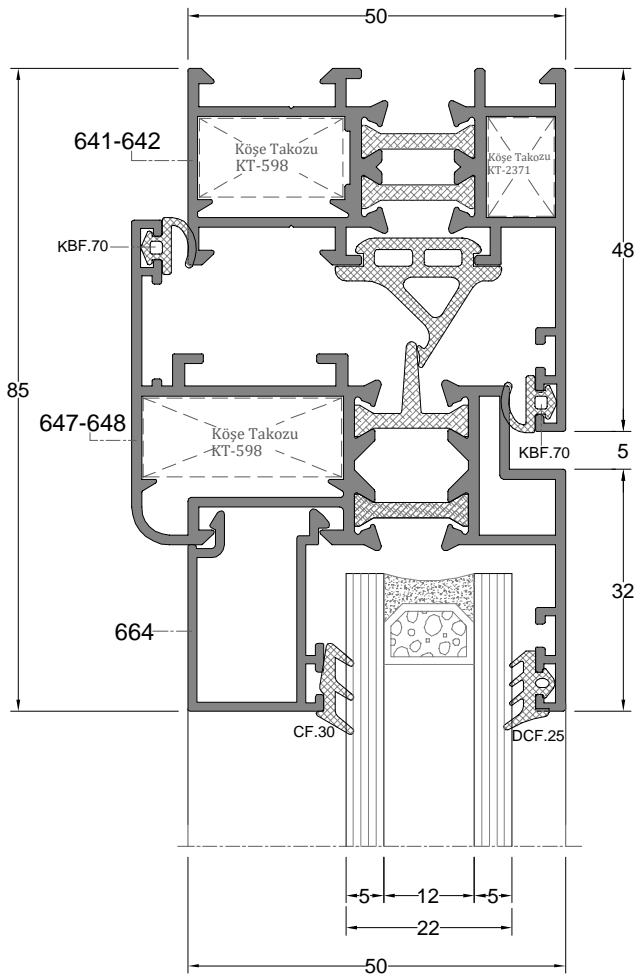
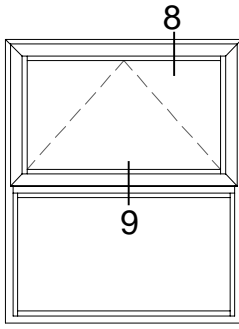
D-5



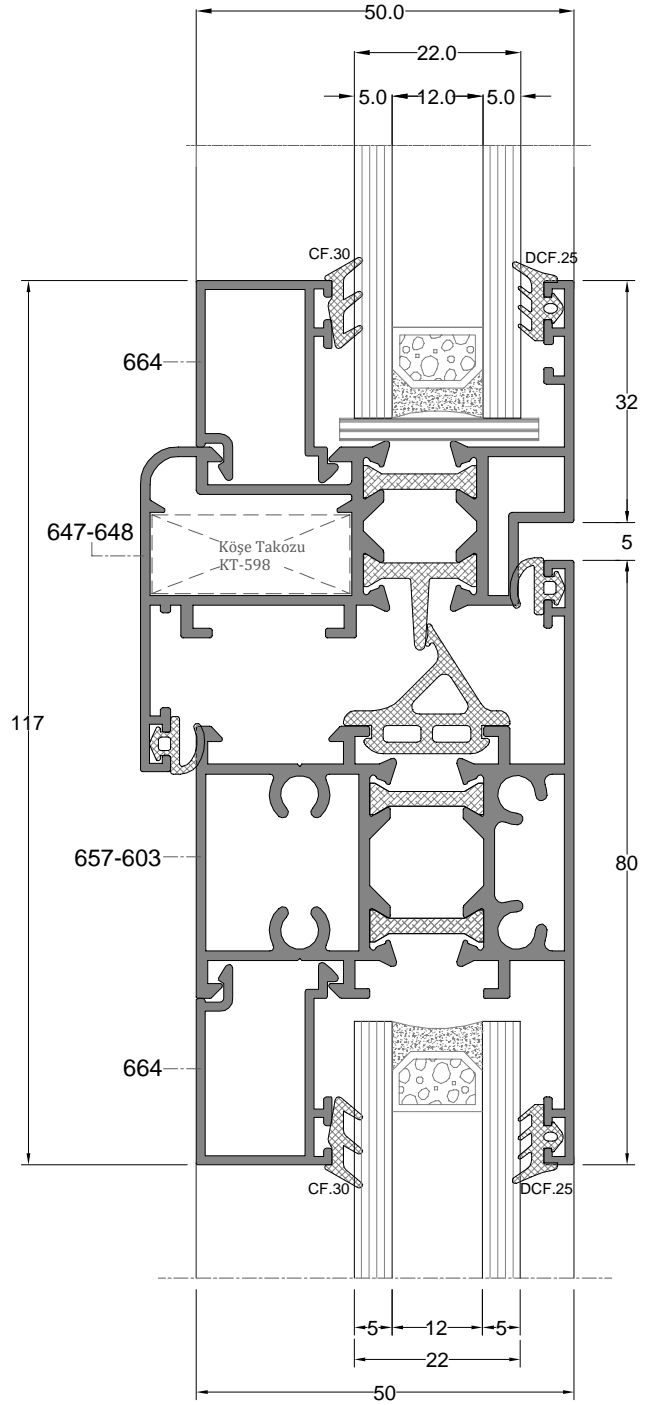
D-6



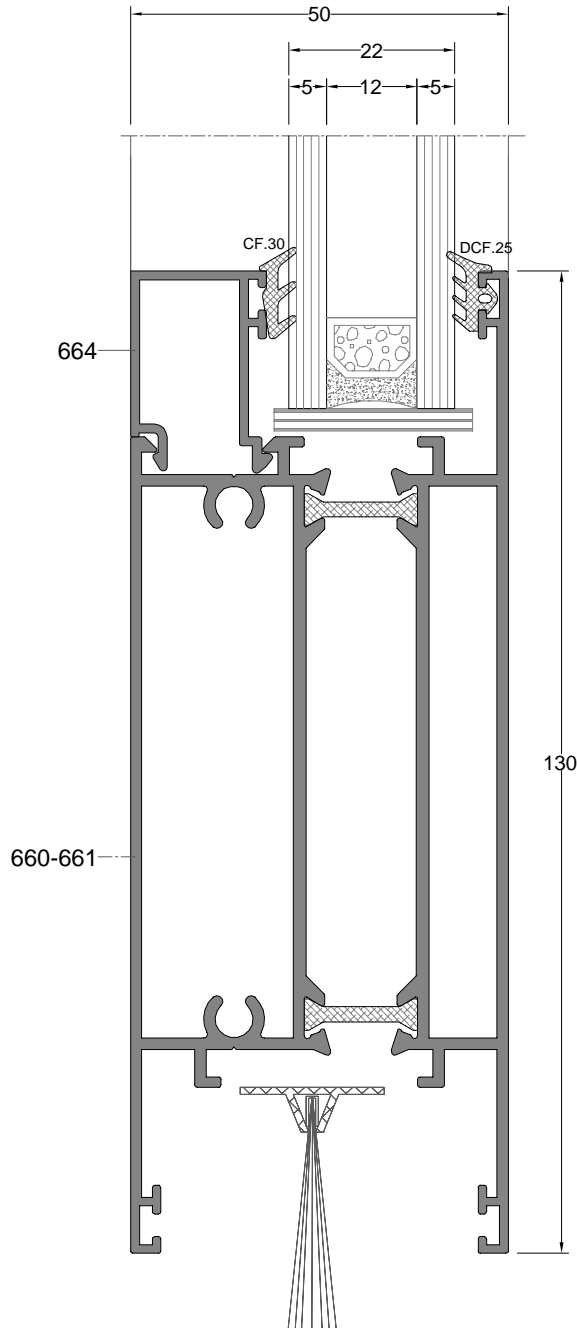
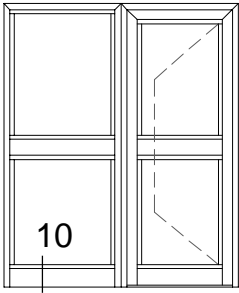
D-7



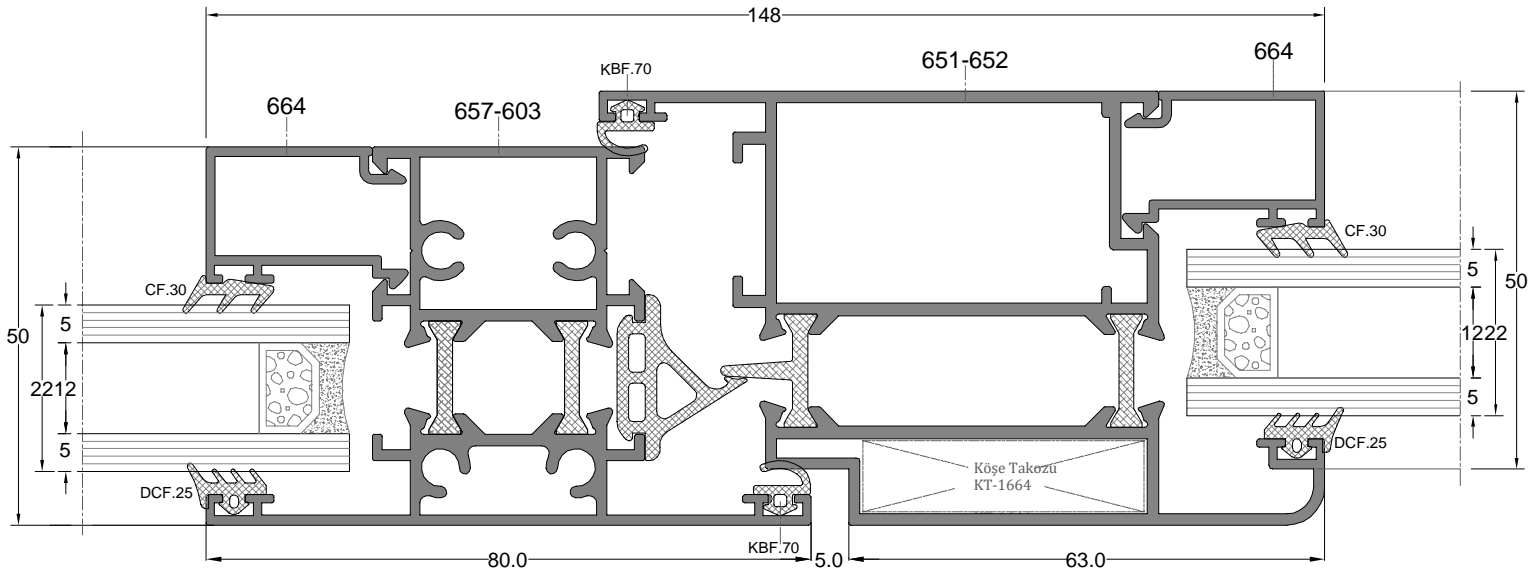
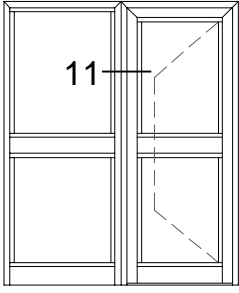
D-8



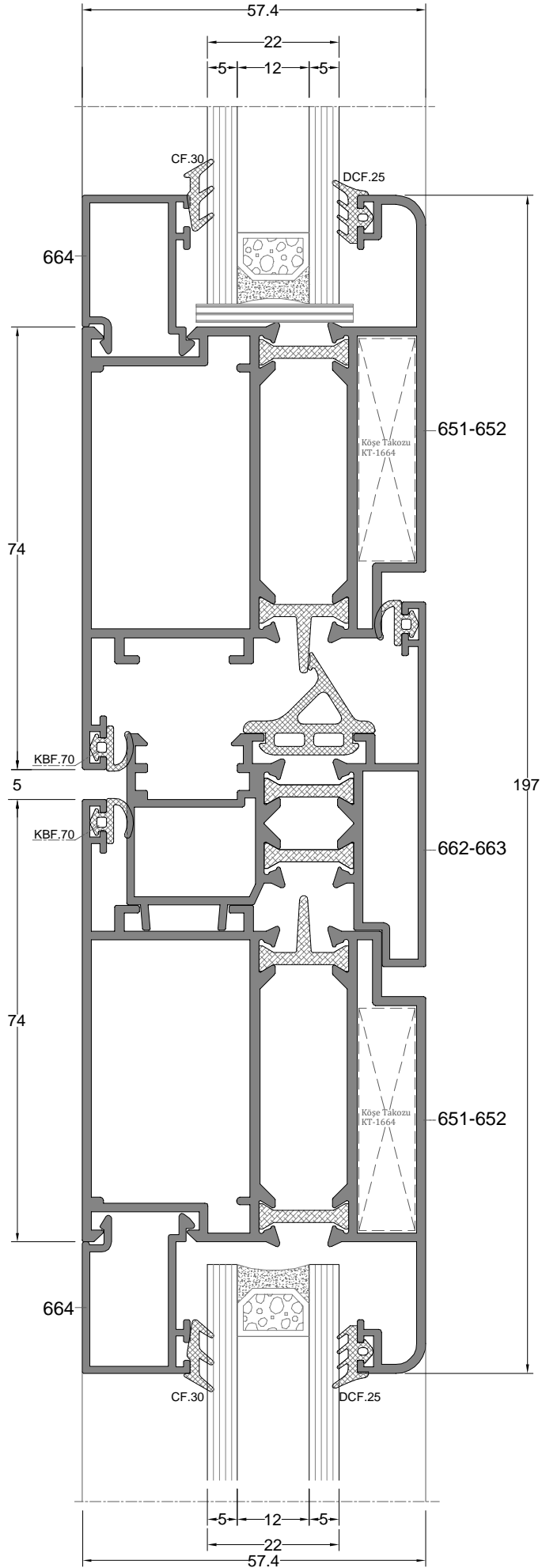
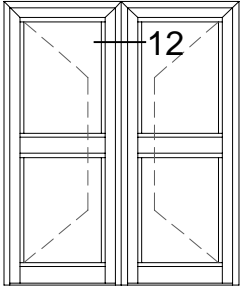
D-9



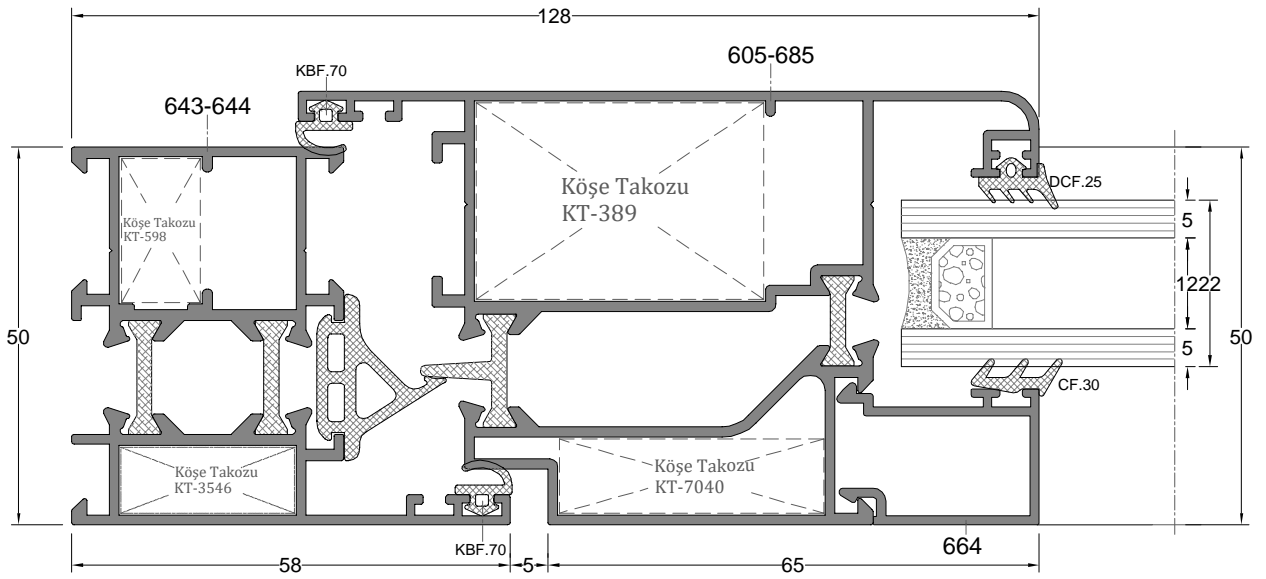
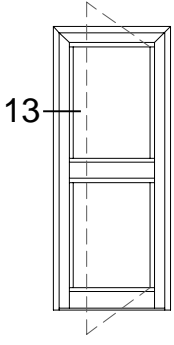
D-10



D-11



D-12



D-13

