

Giydirme Cephe Sistemi  
Curtain Facade System



# AC22

**Cotta Cephe Sistemi**  
Cotta Facade System

## TEKNİK ÖZELLİKLER / TECHNICAL PROPERTIES

|   |              |
|---|--------------|
| Profil Geniřliđi / Profile Width                          | 22 mm        |
| Profil Et Kalınlıđı / Profile Wall Thickness              | 1,6 mm       |
| Düřey Tařıyıcı Profil Yüksekliđi / Mullion Profile Height | 150 - 218 mm |



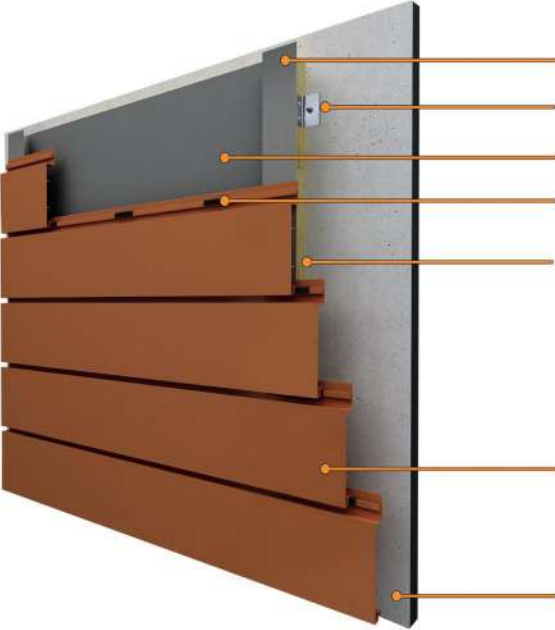
Derz Kanallı Tařıyıcı Profili  
Grooved Mullion Profile  
EPDM U Fitili / EPDM U Gasket

Tař Yünü / Rock Wool

Membran / Membrane

Cotta Lambiri Profili (250 mm)  
Cotta Panel Profile (250 mm)

Duvar / Wall



Tařıyıcı Profili / Mullion Profile

L Ankraj / L Anchorage

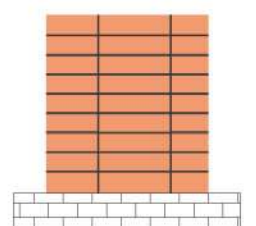
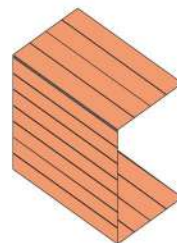
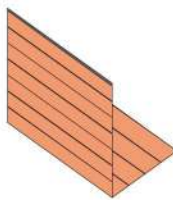
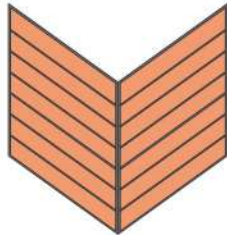
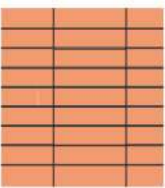
Membran / Membrane

EPDM U Fitili / EPDM U Gasket

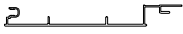
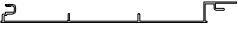








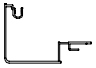
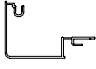
Tař Yünü / Rock Wool


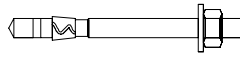
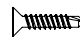
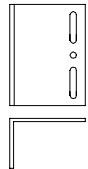
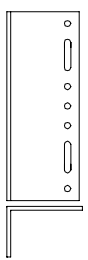
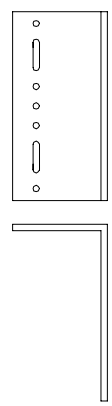
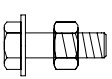
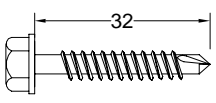
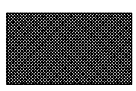
Cotta Lambiri Profili (150 mm)  
Cotta Panel Profile (150 mm)

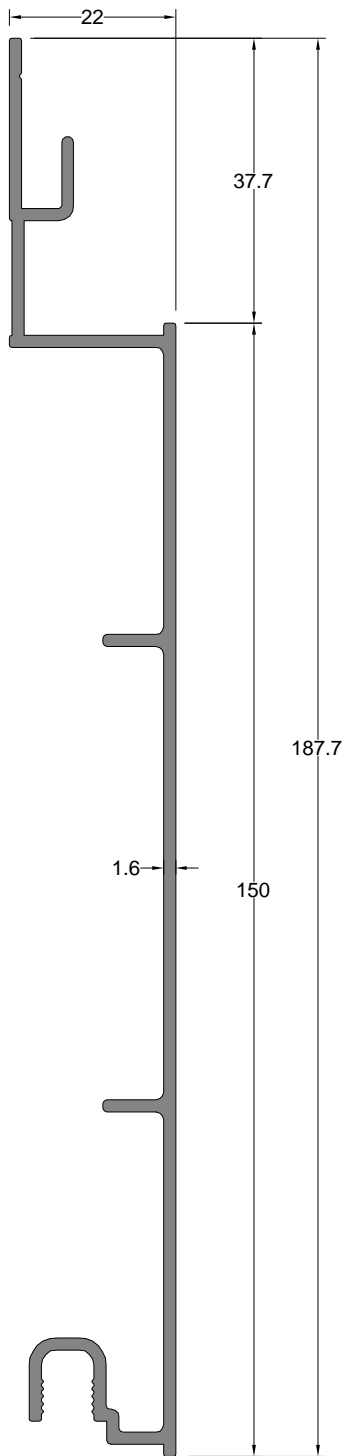
Duvar / Wall



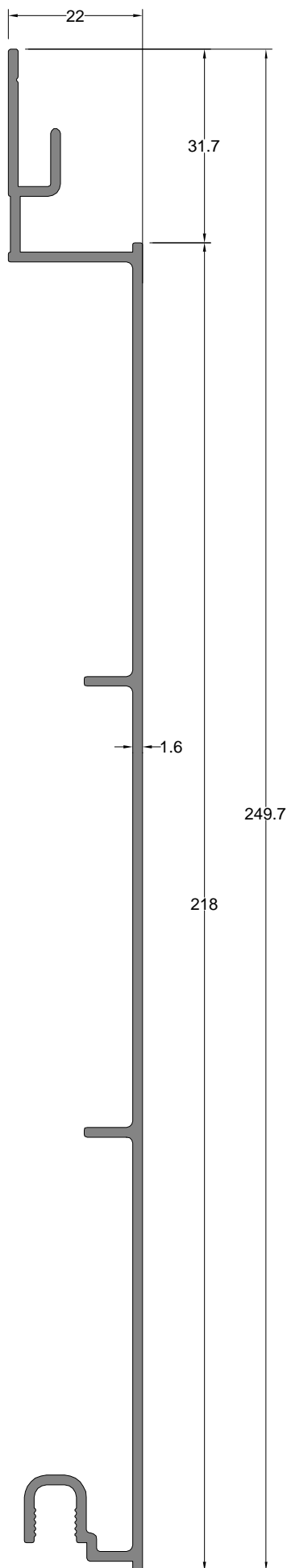
ALÜMİNYUM SANAYİ VE TİC. A.Ş.

| PROF L KES T<br>PROFILE SECTION   | PROF L KODU<br>PROFILE CODE | PROF L ADI<br>PROFILE NAME                                | lx cm | ly cm | A IRLİK (kg/m)<br>WEIGHT |
|---|-----------------------------|---|-------|-------|--------------------------|
|    | 8600                        | COTTA LAMBR PROF L<br>(150 mm)<br>COTTA PANELLING PROFILE |       |       | 1,214 kg/mt              |
|    | 8500                        | COTTA LAMBR PROF L<br>(218 mm)<br>COTTA PANELLING PROFILE |       |       | 1,482 kg/mt              |
|    | 10388                       | COTTA LAMBR PROF L<br>(250 mm)<br>COTTA PANELLING PROFILE |       |       | 1,705 kg/mt              |
|    | 10393                       | DERZ KANALLI TA İYICI<br>PROF L<br>CARRIER PROFILE        |       |       | 0,715 kg/mt              |
|    | 9790                        | TA İYICI PROF L<br>CARRIER PROFILE                        |       |       | 0,529 kg/mt              |
|    | 6525                        | ALT-ÜST B T PROF L<br>BOTTOM-TOP FINISH PROFILE           |       |       | 0,433 kg/mt              |
|    | 627                         | KUTU PROF L<br>BOX PROFILE                                |       |       | 1,040 kg/mt              |
|    | 10389                       | KÖ E DÖNÜ PROF L<br>CORNER PROFILE                        |       |       | 0,691 kg/mt              |
|    | 8603                        | KÖ E DÖNÜ PROF L<br>CORNER PROFILE                        |       |       | 0,620 kg/mt              |
|  | 8503                        | KÖ E DÖNÜ PROF L<br>CORNER PROFILE                        |       |       | 0,651 kg/mt              |
|  | 8502                        | KÖ E DÖNÜ PROF L<br>CORNER PROFILE                        |       |       | 0,984 kg/mt              |
|  | 8501                        | KÖ E DÖNÜ PROF L<br>CORNER PROFILE                        |       |       | 0,984 kg/mt              |
|   |                             |   |       |       |                          |
|   |                             |   |       |       |                          |
|   |                             |   |       |       |                          |
|   |                             |   |       |       |                          |
|   |                             |   |       |       |                          |
|   |                             |   |       |       |                          |
|   |                             |   |       |       |                          |
|   |                             |   |       |       |                          |
|   |                             |   |       |       |                          |
|   |                             |   |       |       |                          |
|   |                             |   |       |       |                          |
|   |                             |   |       |       |                          |
|   |                             |   |       |       |                          |
|   |                             |   |       |       |                          |
|   |                             |   |       |       |                          |
|   |                             |   |       |       |                          |
|   |                             |   |       |       |                          |
|   |                             |   |       |       |                          |
|   |                             |   |       |       |                          |

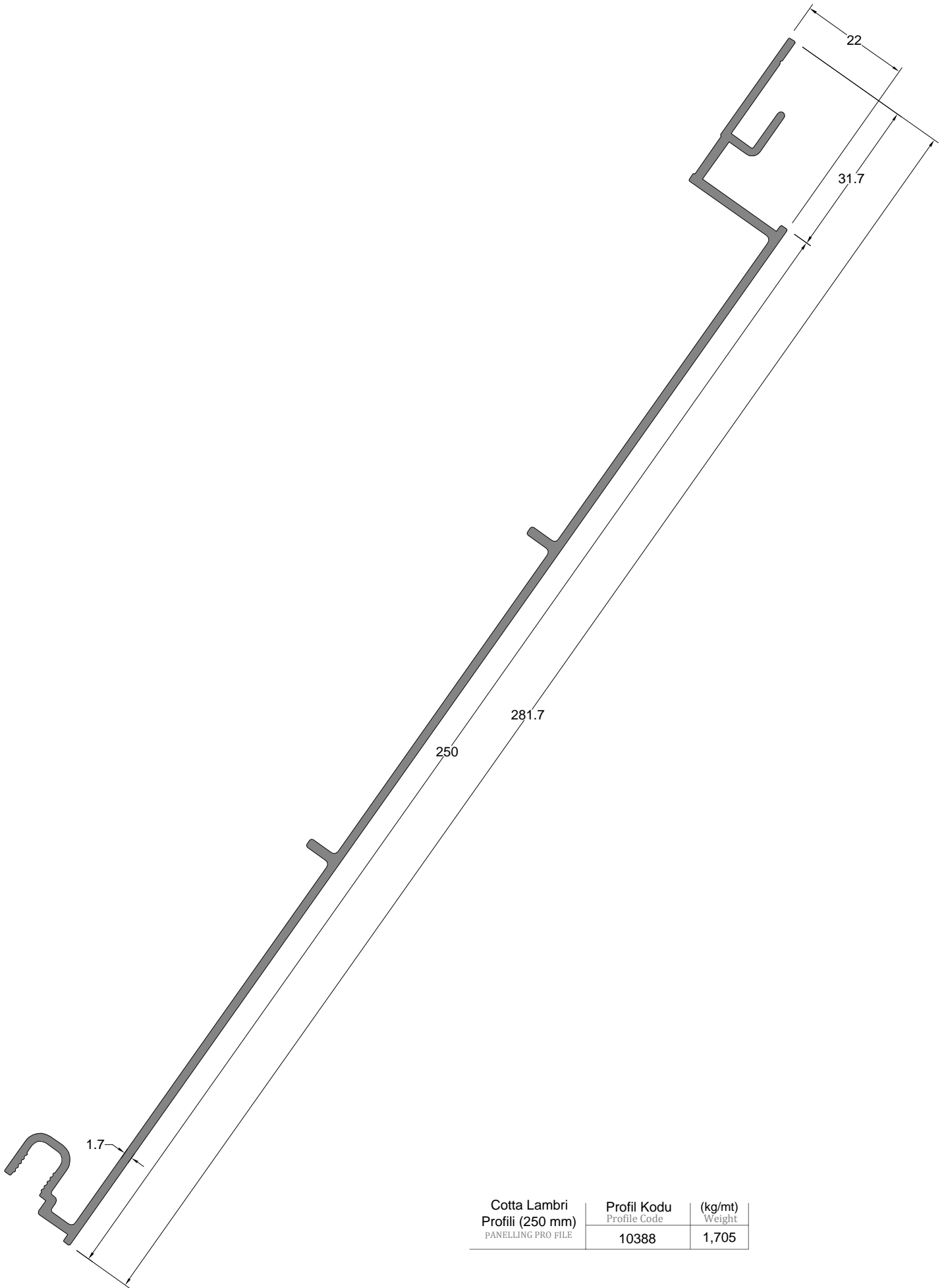
| AKSESUAR<br>ACCESSORY   | STOK KODU<br>REFERENCE CODE | AKSESUAR ADI<br>DESCRIPTION  | AKSESUAR KODU<br>PRODUCT CODE | PAKET<br>PACK   |
|---|-----------------------------|--|-------------------------------|-----------------|
|    | 03 010331                   | EPDM U F T L<br>EPDM U GASKET  | AC22-CYF.20                   | 215 mt \ 10 kg  |
|     | 11 010410                   | M10X100 PASLANMAZ ÇELİK DÜBEL<br>M10X100 STAINLESS STEEL DOWEL                           | AC22-ÇD.410                   | 1 pk \ 100 ad   |
|    | 11 010292                   | YHB Ø3.9x19mm MATKAP UÇLU<br>VİDA<br>SCREW   | AC22-SC.292                   | 1 pk / 1000 ad  |
|    | 01 100156                   | 80X40'LİK DUVAR BAĞLANTISI L<br>ANKRAJ 8 cm (40X60X80X3 mm)<br>(40X60X80X3 mm) ANCHORAGE | AC22-DBA.L80                  | 2 adet          |
|    | 01 100155                   | DÖNME BAĞLANTISI L ANKRAJ<br>(40X60X150X3 mm)<br>(40X60X80X3 mm) ANCHORAGE               | AC22-DBA.L150                 | 2 adet          |
|   | 01 100157                   | KÖNÜŞ DÖNME BAĞLANTISI L<br>ANKRAJ (75X140X150X4mm)<br>(75X140X150X4 mm) ANCHORAGE       | AC22-KDBA.L150                | 2 adet          |
|  | 11 010412                   | M5X25mm C VATA+M5 SOMUN<br>SCREW NUT   | AC22-SC.412                   | 1 pk \ 100 ad   |
|   | 11 011851                   | APBMUV Ø5 x 32 mm ALTİKÖNÜŞ PULBA<br>Lİ MATKAP UÇLU VİDA (TRAPEZ)<br>SCREW               | AC22-SC.851                   | 1pk / 500 ad    |
|  | 08 100301                   | MEMBRAN EPDM<br>(0,5 mmx1300mmx37,5mt)<br>MEMBRANE                                       | AC22-MB.301                   | 1 rulo\48,75 mt |
|   |                             |  |                               |                 |
|   |                             |  |                               |                 |
|   |                             |  |                               |                 |
|   |                             |  |                               |                 |



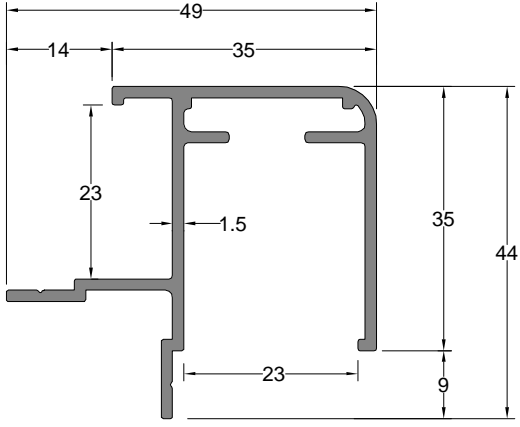
| Cotta Lambri<br>Profili (150 mm) | Profil Kodu<br>Profile Code | (kg/mt)<br>Weight |
|----------------------------------|-----------------------------|-------------------|
| PANELLING PROFILE                | 8600                        | 1,214             |



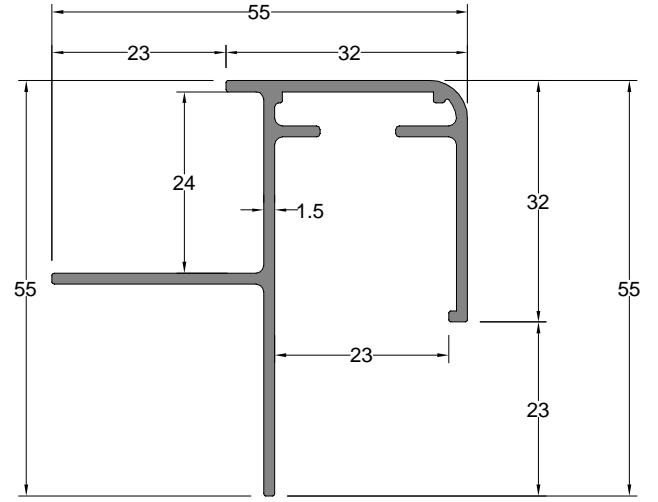
| Cotta Lambri<br>Profili (218 mm) | Profil Kodu<br>Profile Code | (kg/mt)<br>Weight |
|----------------------------------|-----------------------------|-------------------|
| PANELLING PRO FILE               | 8500                        | 1,482             |



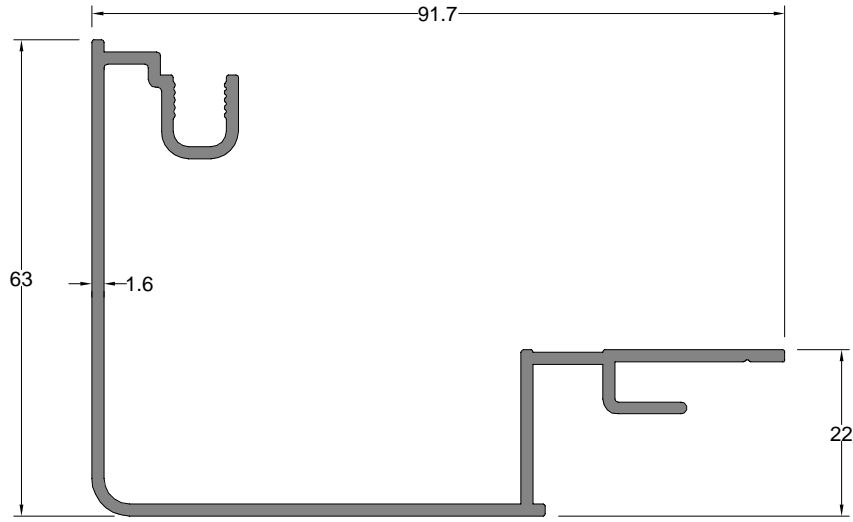
| Cotta Lambri<br>Profili (250 mm)<br>PANELLING PRO FILE | Profil Kodu<br>Profile Code | (kg/mt)<br>Weight |
|--|-----------------------------|-------------------|
|  | 10388                       | 1,705             |



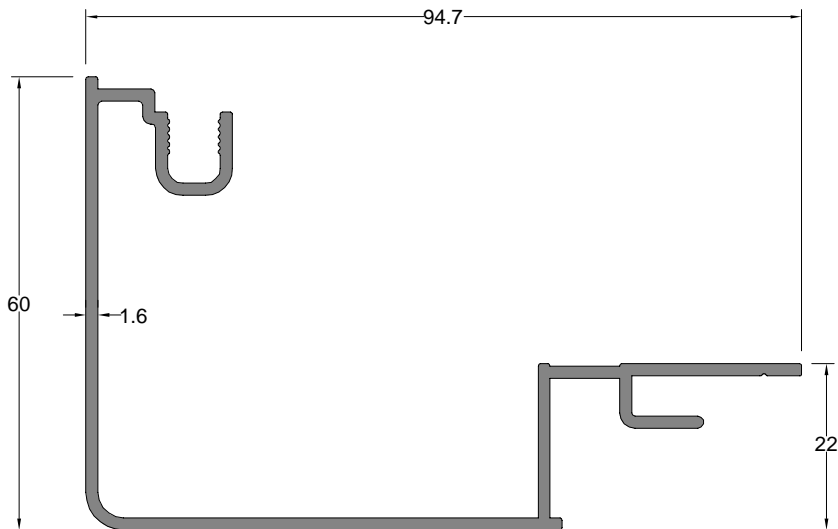
| Kö e Dönü Profili | Profil Kodu  | (kg/mt) |
|-------------------|--------------|---------|
| CORNER PRO FILE   | Profile Code | Weight  |
|                   | 8603         | 0,621   |



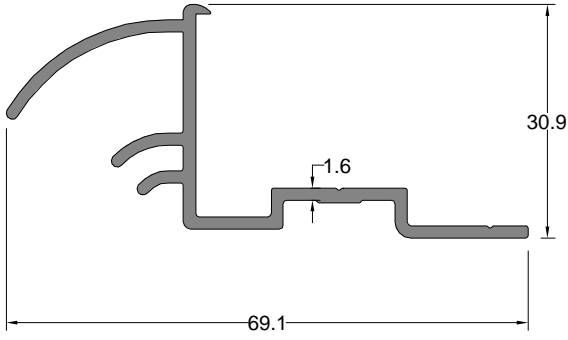
| Kö e Dönü Profili | Profil Kodu  | (kg/mt) |
|-------------------|--------------|---------|
| CORNER PRO FILE   | Profile Code | Weight  |
|                   | 8503         | 0,651   |



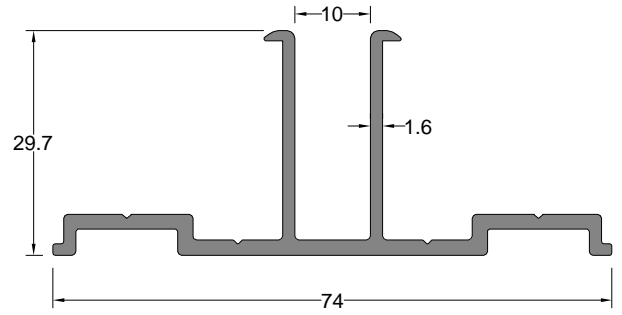
| Kö e Dönü Profili | Profil Kodu  | (kg/mt) |
|-------------------|--------------|---------|
| CORNER PRO FILE   | Profile Code | Weight  |
|                   | 8502         | 0,984   |



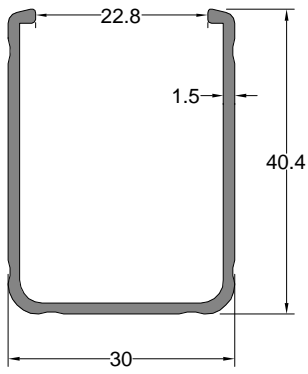
| Kö e Dönü Profili | Profil Kodu  | (kg/mt) |
|-------------------|--------------|---------|
| CORNER PRO FILE   | Profile Code | Weight  |
|                   | 8501         | 0,984   |



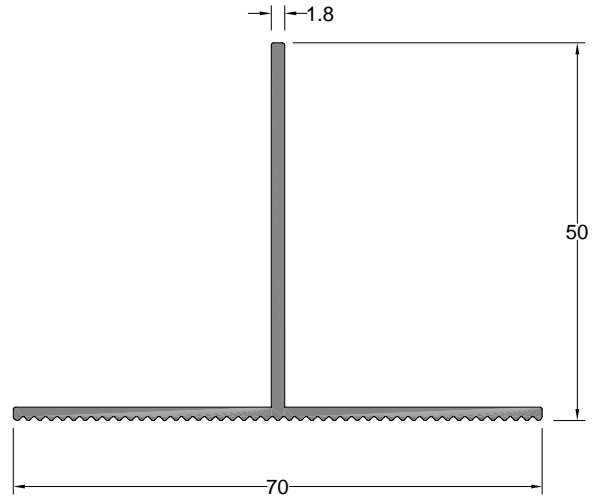
| Açılı Dönü Profili | Profil Kodu  | (kg/mt) |
|--------------------|--------------|---------|
| CORNER PRO FILE    | Profile Code | Weight  |
|                    | 10389        | 1,691   |



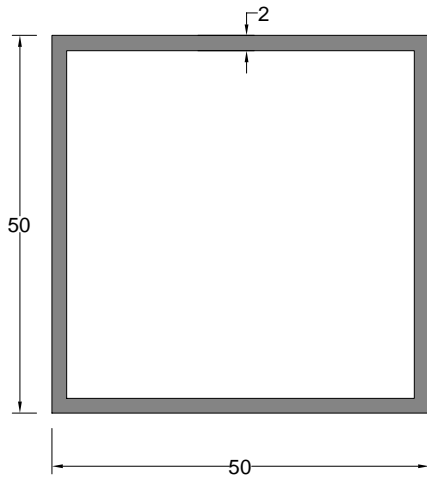
| Derz Kanallı Ta ıyıcı Profili | Profil Kodu  | (kg/mt) |
|-------------------------------|--------------|---------|
| CARRIER PROFILE               | Profile Code | Weight  |
|                               | 10393        | 0,715   |



| Alt-Üst Biti Profili      | Profil Kodu  | (kg/mt) |
|---------------------------|--------------|---------|
| BOTTOM-TOP FINISH PROFILE | Profile Code | Weight  |
|                           | 6525         | 0,433   |



| Ta ıyıcı Profili | Profil Kodu  | (kg/mt) | Jx cm <sup>4</sup> | Jy cm <sup>4</sup> |
|------------------|--------------|---------|--------------------|--------------------|
| CARRIER PROFILE  | Profile Code | Weight  |                    |                    |
|                  | 9790         | 0,529   | 4,65               | 4,45               |



| Kutu Profili | Profil Kodu  | (kg/mt) |
|--------------|--------------|---------|
| BOX PROFILE  | Profile Code | Weight  |
|              | 627          | 1,040   |



