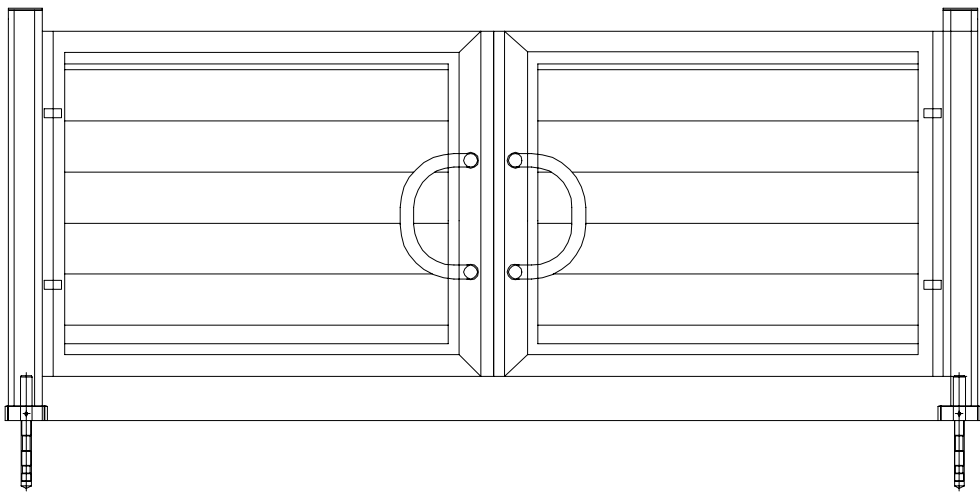
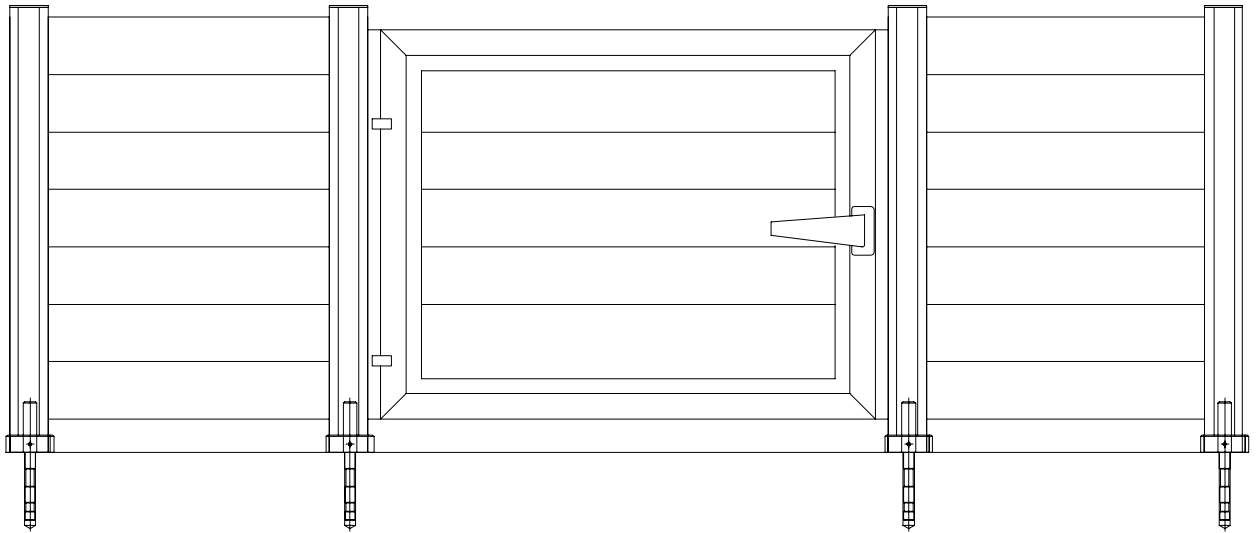

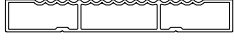
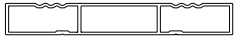

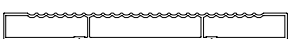
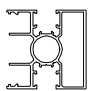
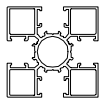
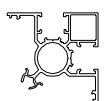
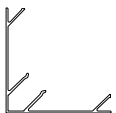
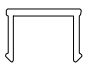
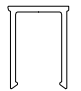

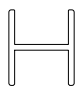
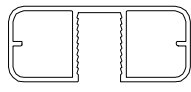


# F60

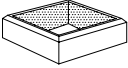
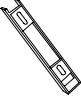

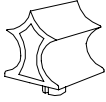

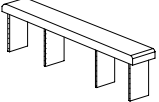


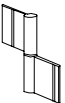
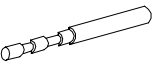

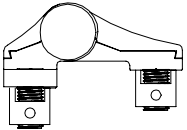
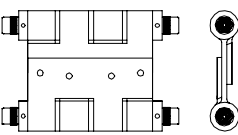
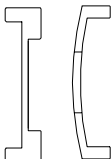
## Ç T S STEM

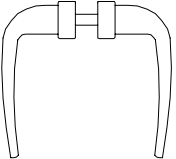
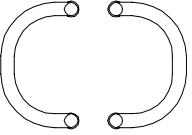
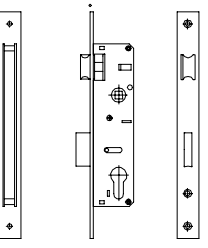
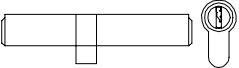
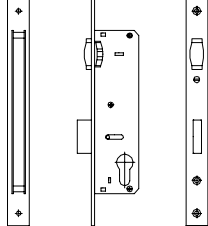
(Fence System)

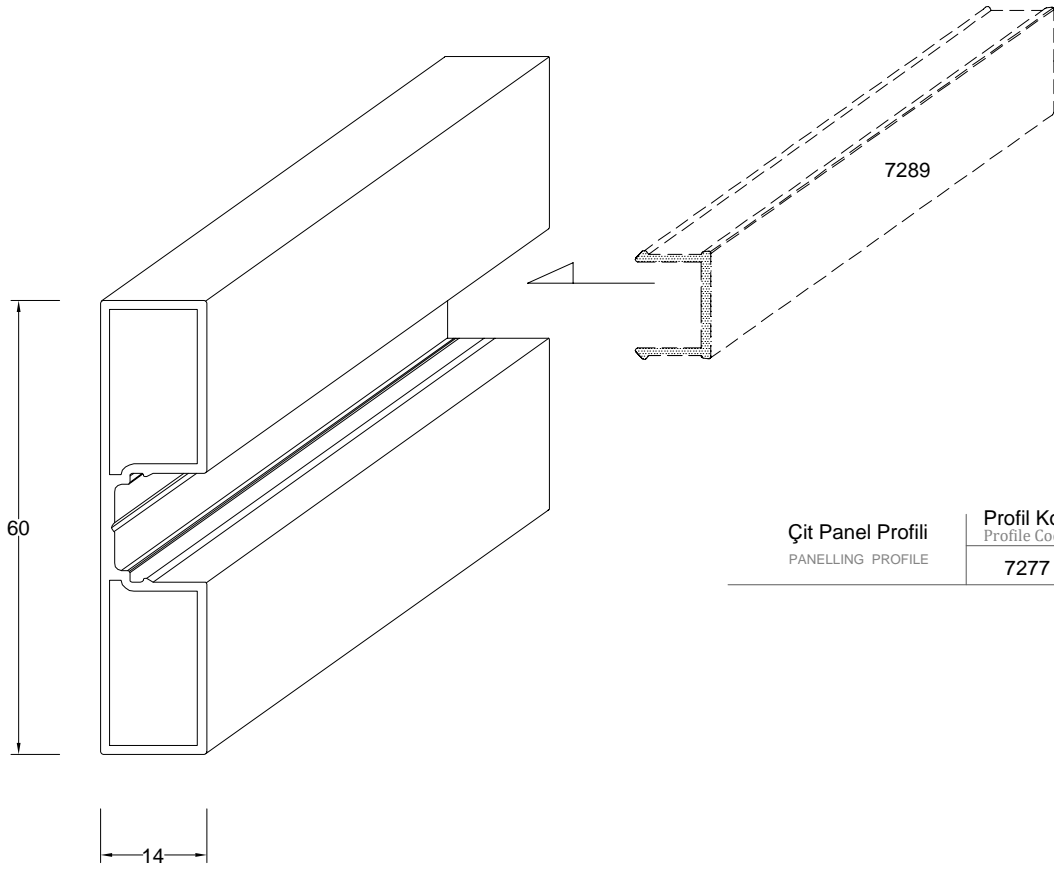


PROF L KES T PROFILE SECTION	PROF L KOD PROFILE CODE	PROF L ADI PROFILE NAME	A IRLIK (kg/m) WEIGHT
	7277	PANEL PROF L PANEL PROFILE	0,523 kg/m
	7274	PANEL PROF L PANEL PROFILE	0,848 kg/m
	7275	PANEL PROF L PANEL PROFILE	0,830 kg/m
	7276	PANEL PROF L PANEL PROFILE	0,706 kg/m
	7290	PANEL PROF L PANEL PROFILE	1,178 kg/m
	7270	D KME PROF L COLUMN PROFILE	1,639 kg/m
	7271	D KME PROF L COLUMN PROFILE	1,937 kg/m
	7272	D KME PROF L COLUMN PROFILE	1,375 kg/m
	7281	KAPAK (7272 PROF L KAPA I) COVER (7272 PROFILE COVER)	0,580 kg/m
	7289	KAPAK (7277 PROF L KAPA I) COVER (7277 PROFILE COVER)	0,098 kg/m
	7279	KAPAK (7271 PROF L KAPA I) COVER (7271 PROFILE COVER)	0,175 kg/m
	7280	KAPAK (7270 PROF L KAPA I) COVER (7270 PROFILE COVER)	0,246 kg/m
	7278	ADAPTÖR PROF L ADAPTER PROFILE	0,220 kg/m
	12154	25x60 ÜST TUTAMAK PROF L TOP HANDRAİL PROFILE	0,816 kg/m

PROF L KES T PROFILE SECTION	PROF L KOD PROFILE CODE	PROF L ADI PROFILE NAME	A IRLIK (kg/m) WEIGHT
	2021	KASA PROF L FRAME PROFILE	1,264 kg/m
	2020	KANAT PROF L SASH PROFILE	1,339 kg/m
	701	ADAPTÖR PROF L ADAPTER PROFILE	0,380 kg/m
	455	ÇITA PROF L BEAD PROFILE	0,207 kg/m
	454	ÇITA PROF L BEAD PROFILE	0,228 kg/m
	700	KASA-KANAT PROF L FRAME-SASH PROFILE	0,370 kg/m
	410	KÖ E TAKOZU PROF L CORNER WEDGE PROFILE	6,094 kg/m
	F60-20	PK.2020 2020 COVER	-
	F60-21	PK.2021 2021 COVER	-

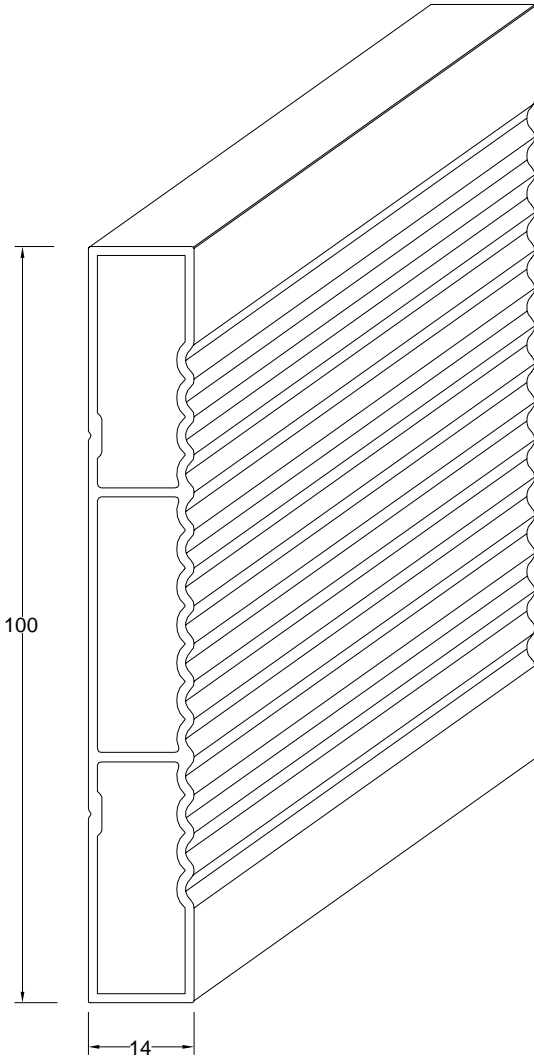
AKSESUAR ACCESSORY	STOK KODU REFERENCE CODE	AKSESUAR ADI DESCRIPTION	AKSESUAR KODU PRODUCT CODE	PAKET PACK
	07 092200	60x60 D KME FLAN I 60x60 POLE FLANGE	AB 10-01	
	07 092215	14x100 FLAN I 14x100 FLANGE	AB 10-02	
	07 092201	60x60 D KME TAPASI 60x60 POLE PLUG	AB 11-01	
	07 092203	60x60 CAM DEKORLU TAPA 60x60 GLASS DECORATED PLUG	AB 11-02	
	07 092210	60x60 DAMLA DEKORLU TAPA 60x60 DROP DECORATED PLUG	AB 11-03	
	07 092202	14x100 TAPA 14x100 PLUG	AB 11-04	
	07 092205	14x100 CAM DEKORLU TAPA 14x100 GLASS DECORATED PLUG	AB 11-05	
	07 092206	14x100 DAMLA DEKORLU TAPA 14x100 DROP DECORATED PLUG	AB 11-06	
	07 092235	KAPI MENTE E DOOR HINGE	AB 11-07	
	07 010190	ANKRAJ 20CM ANCHORAGE	A 24-05	
	07 081042	14x100 CAM DEKORLU TAPA 14x100 GLASS DECORATED PLUG	AK 10-42	
	01 011050	ÇE VE DI A AÇILIR B N L KAPI MENTE E(ELOKSAL) INWARD AND OUTWARD OPENING HINGE (ANODIZED)	KM.050	
	01 011051	ÇE VE DI A AÇILIR B N L KAPI MENTE E(BEYAZ) INWARD AND OUTWARD OPENING HINGE (WHITE)	KM.051	
	01 011052	ÇE VE DI A AÇILIR B N L KAPI MENTE E(RENKL ) INWARD AND OUTWARD OPENING HINGE (COLOURED)	KM.052	
	01 012206	ÇARPMA KAPI MENTE E(ELOKSAL) OUTWARD OPENING OVERLAPPING HINGE (ANODIZED)	ÇM.206	
	01 012202	ÇARPMA KAPI MENTE E(BEYAZ) OUTWARD OPENING OVERLAPPING HINGE (WHITE)	ÇM.202	
	01 060101	C60 K L T KAR ILI I LOCK STRIKER	KK.101	

AKSESUAR ACCESSORY	STOK KODU REFERENCE CODE	AKSESUAR ADI DESCRIPTION	AKSESUAR KODU PRODUCT CODE	PAKET PACK
	01 040902	FORZA KAPI KOLU (BEYAZ) FORZA DOOR HANDLE (WHITE)	FK.902	
	01 040903	FORZA KAPI KOLU (RENKL ) FORZA DOOR HANDLE (COLOURED)	FK.903	
	01 040904	FORZA KAPI KOLU (NATUREL) FORZA DOOR HANDLE (NATURAL)	FK.904	
	01 030901	YARIM AY KAPI KOLU (ELOKSALLI) DOOR HANDLE (ANODIZED)	YA.901	
	05 011001	25 MM C60 D LL K L T BOLT LOCK	DK.001	
	05 011101	62 MM BAREL 62 MM CYLINDER	BR.101	
	05 010405	25 MM C60 MAKARALI K L T ROLLED LOCK	MK.405	



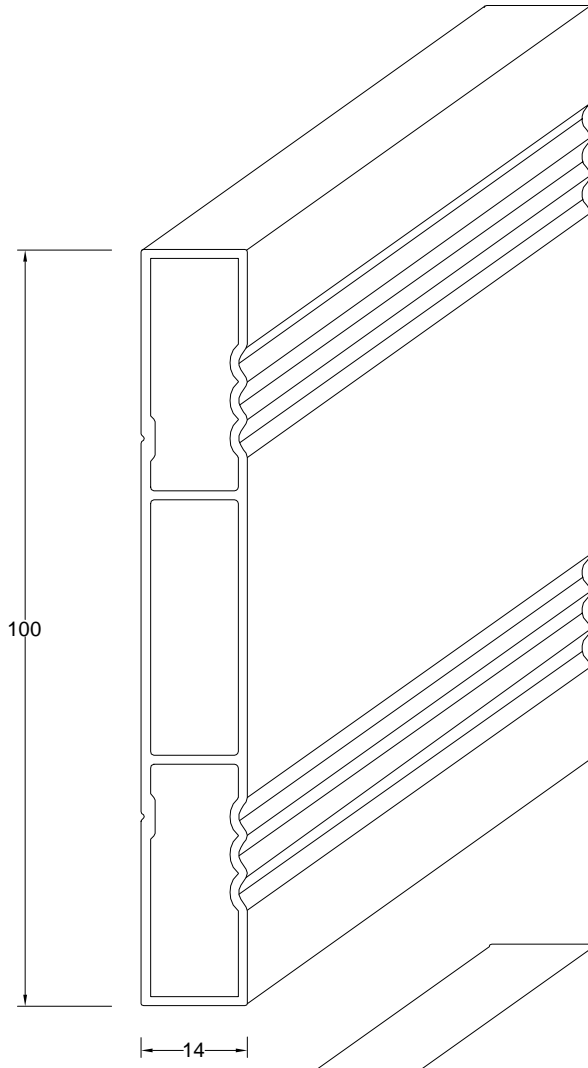
**Çit Panel Profili**  
PANELLING PROFILE

Profil Kodu Profile Code	(kg/mt) Weight
7277	0,523

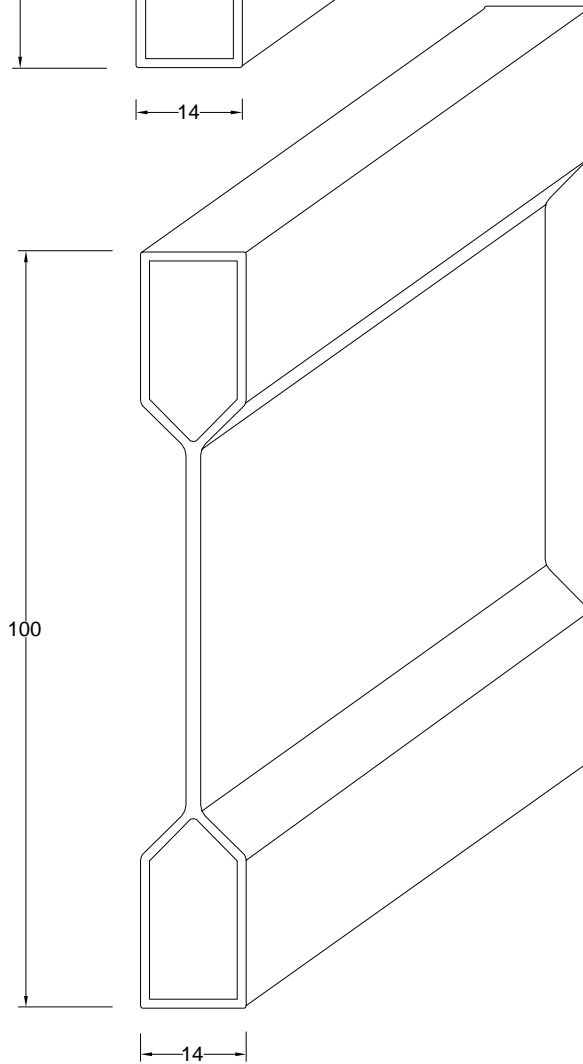


**Çit Panel Profili**  
PANELLING PROFILE

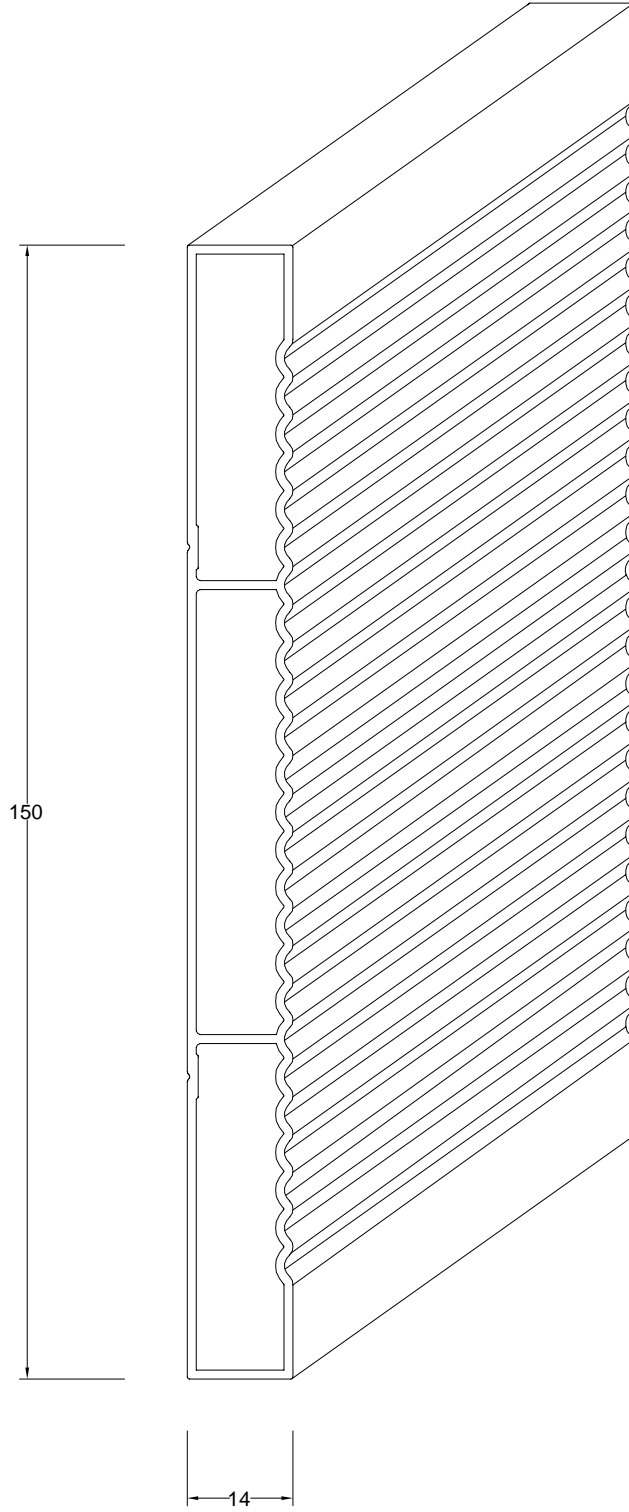
Profil Kodu Profile Code	(kg/mt) Weight
7274	0,848



Çit Panel Profili PANELLING PROFILE	Profil Kodu Profile Code	(kg/mt) Weight
	7275	0,830



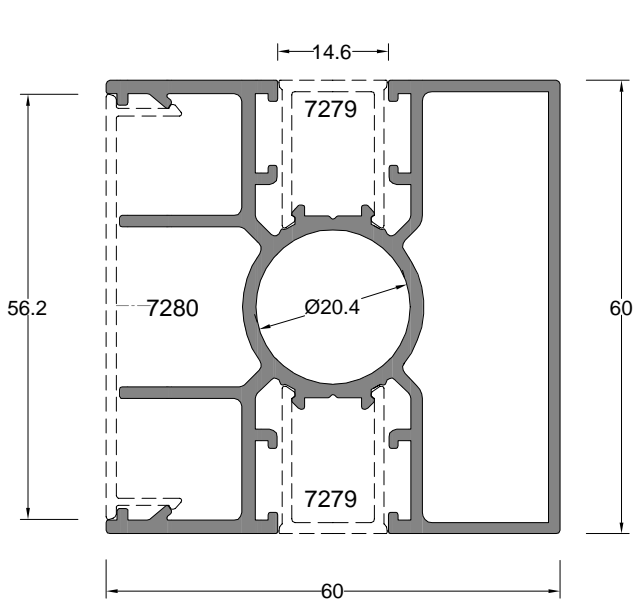
Çit Panel Profili PANELLING PROFILE	Profil Kodu Profile Code	(kg/mt) Weight
	7276	0,706



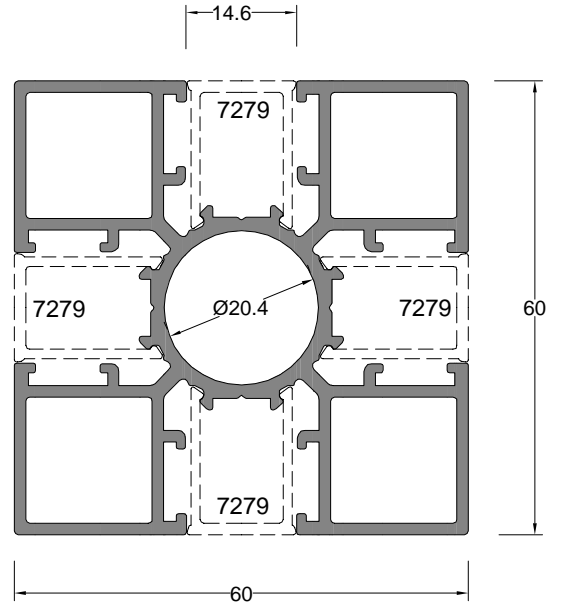
Çit Panel Profili  
PANELLING PROFILE

Profil Kodu Profile Code	(kg/mt) Weight
7290	1,178

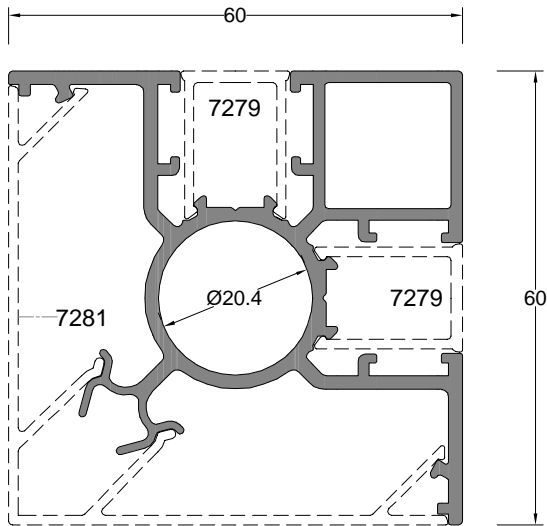




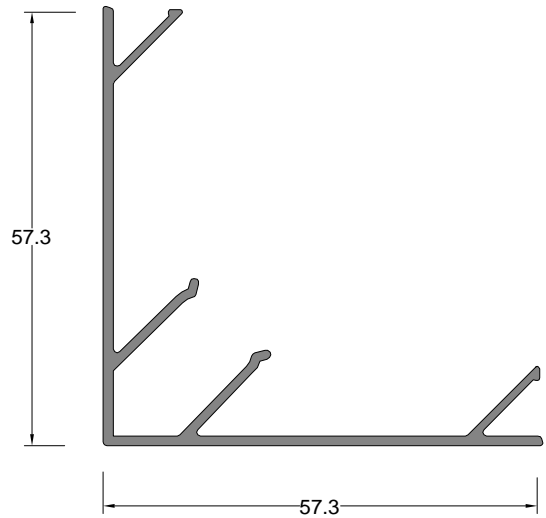
Dikme Profili	Profil Kodu	(kg/mt)
POLE PROFILE	Profile Code	Weight
	7270	1,639



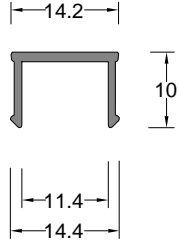
Dikme Profili	Profil Kodu	(kg/mt)
POLE PROFILE	Profile Code	Weight
	7271	1,937



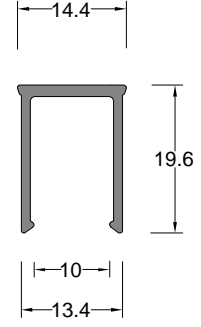
Dikme Profili	Profil Kodu	(kg/mt)
POLE PROFILE	Profile Code	Weight
	7272	1,375



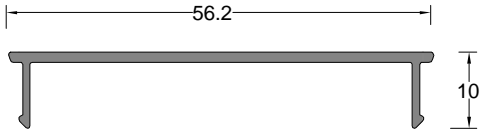
Kapak Profili	Profil Kodu	(kg/mt)
(7272 Profil Kapa ı)	Profile Code	Weight
COVER (7272 PROFILE COVER)	7281	0,580



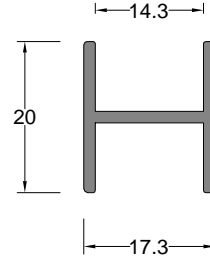
Kapak Profili (7277 Profil Kapa ı)	Profil Kodu Profile Code	(kg/mt) Weight
COVER (7277 PROFILE COVER)	7289	0,098



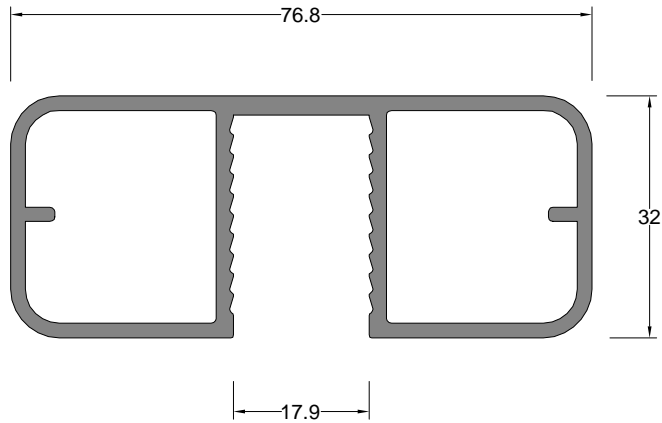
Kapak Profili (7271 Profil Kapa ı)	Profil Kodu Profile Code	(kg/mt) Weight
COVER (7271 PROFILE COVER)	7279	0,175



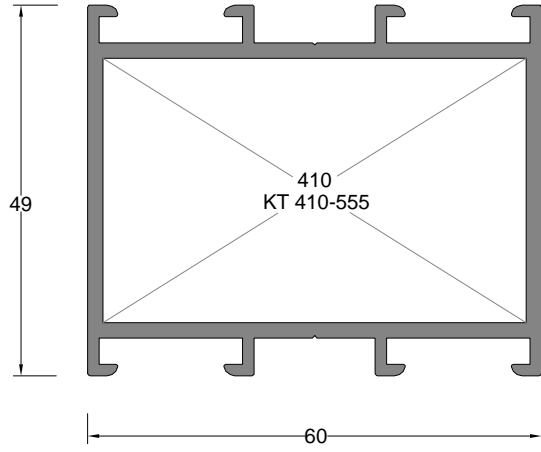
Kapak Profili (7270 Profil Kapa ı)	Profil Kodu Profile Code	(kg/mt) Weight
COVER (7270 PROFILE COVER)	7280	0,246



Adaptör Profili ADAPTER PROFILE	Profil Kodu Profile Code	(kg/mt) Weight
	7278	0,220

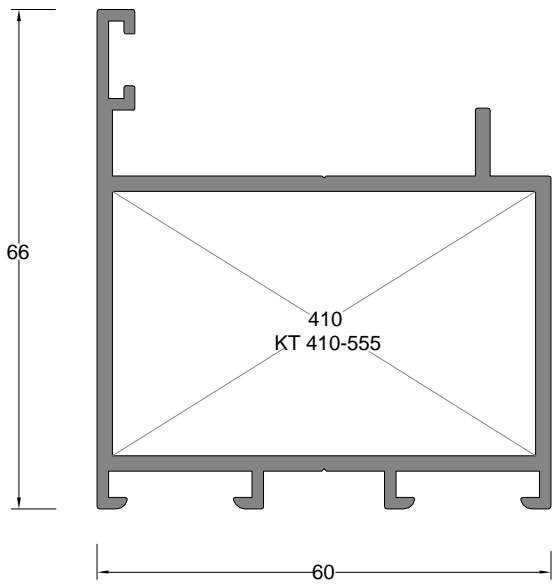


25X60 Üst Tutamak Profili TOP HANDRAIL PROFILE	Profil Kodu Profile Code	(kg/mt) Weight
	12154	0,816



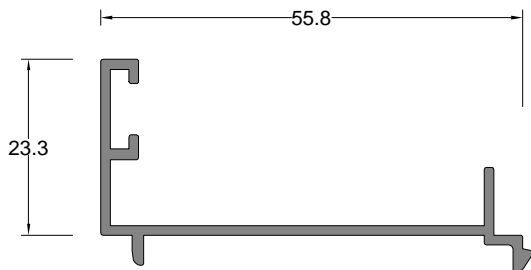
**Kasa Profili**  
SASH PROFILE

Profil Kodu Profile Code	(kg/mt) Weight
2021	1,264



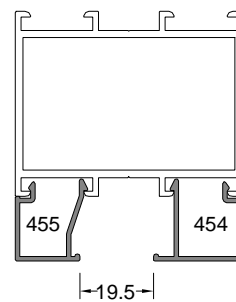
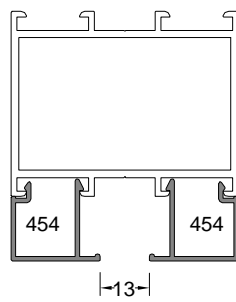
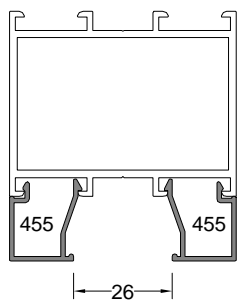
**Kanat Profili**  
FRAME PROFILE

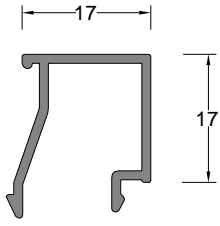
Profil Kodu Profile Code	(kg/mt) Weight
2020	1,339



**Adaptör Profili**  
ADAPTER PROFILE

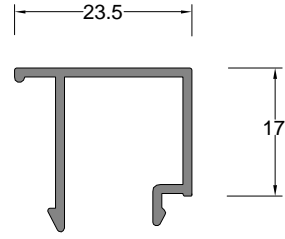
Profil Kodu Profile Code	(kg/mt) Weight
701	0,380





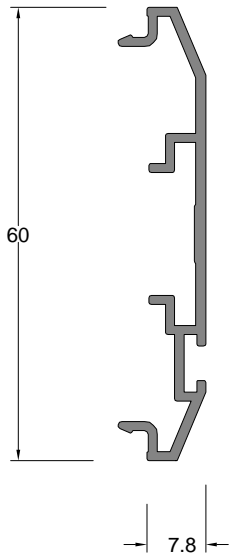
Çıta Profili  
BEAD PROFILE

Profil Kodu Profile Code	(kg/mt) Weight
455	0,207



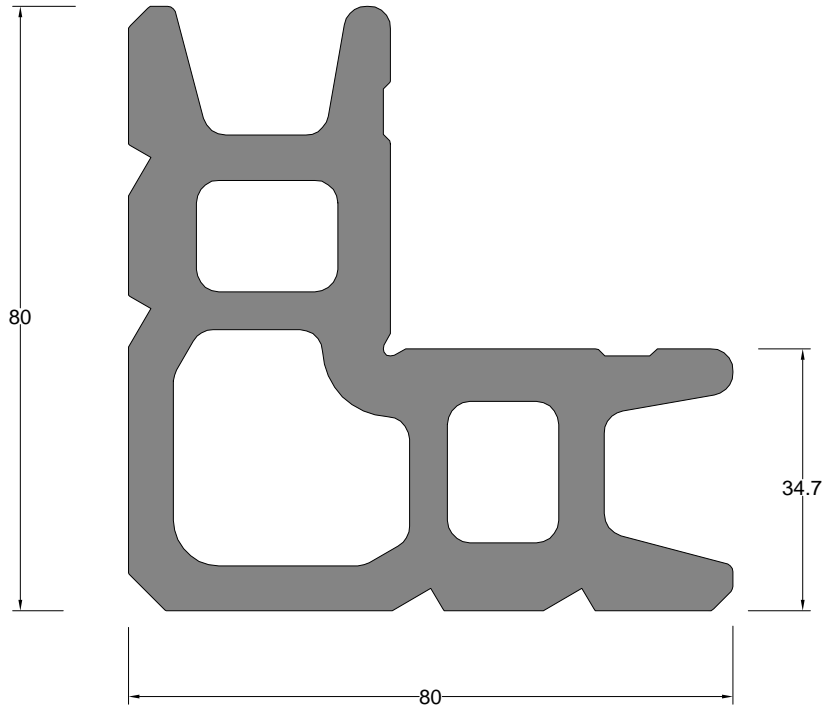
Çıta Profili  
BEAD PROFILE

Profil Kodu Profile Code	(kg/mt) Weight
454	0,228



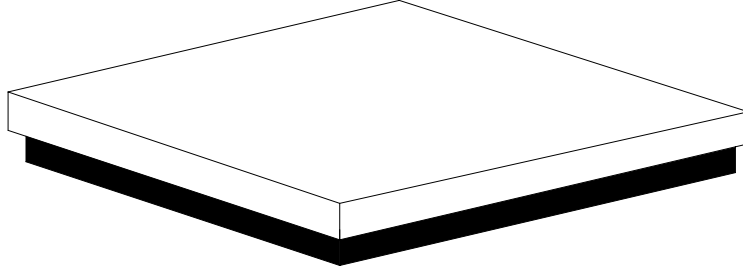
Kasa-Kanat Profili  
FRAME-SASH PROFILE

Profil Kodu Profile Code	(kg/mt) Weight
700	0,370



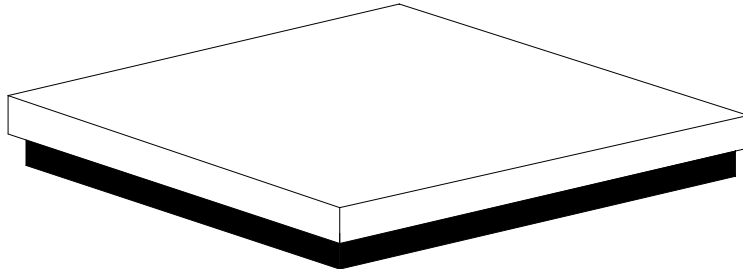
Köşe Takozu Profili  
CORNER WEDGE PROFILE

Profil Kodu Profile Code	(kg/mt) Weight
410	6,094



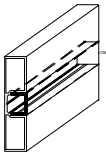
2020 Kapak  
2020 COVER

Profil Kodu Profile Code	(kg/mt) Weight
F60-20	-

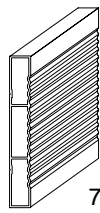


2021 Kapak  
2021 COVER

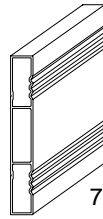
Profil Kodu Profile Code	(kg/mt) Weight
F60-21	-



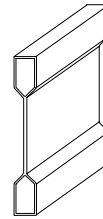
7277



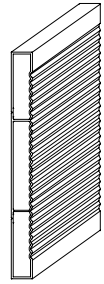
7274



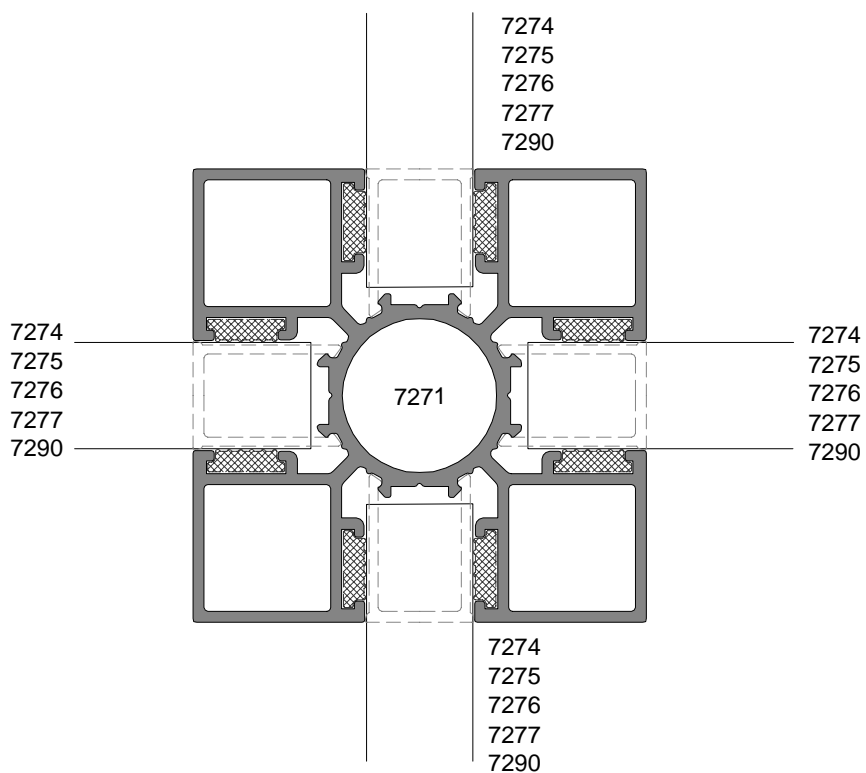
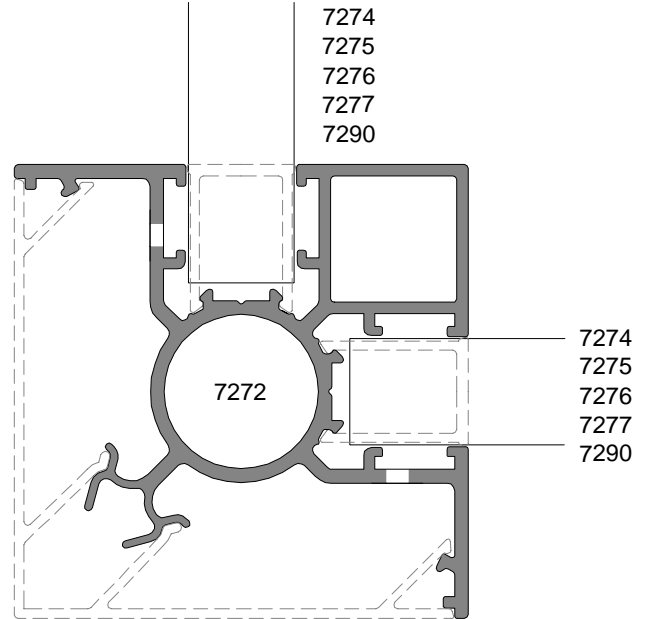
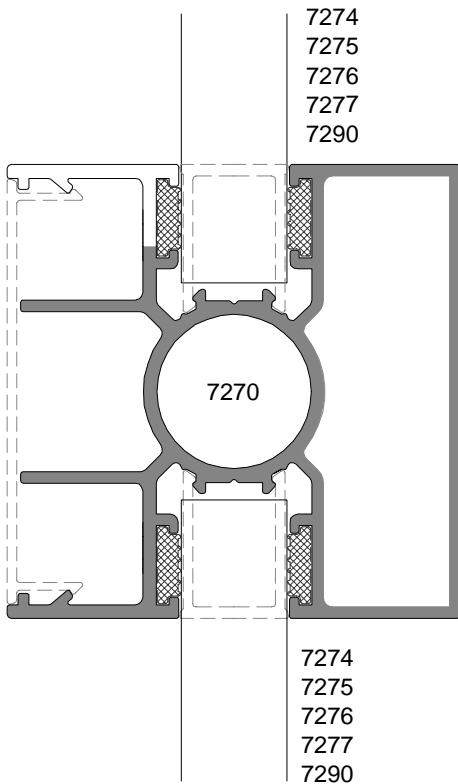
7275

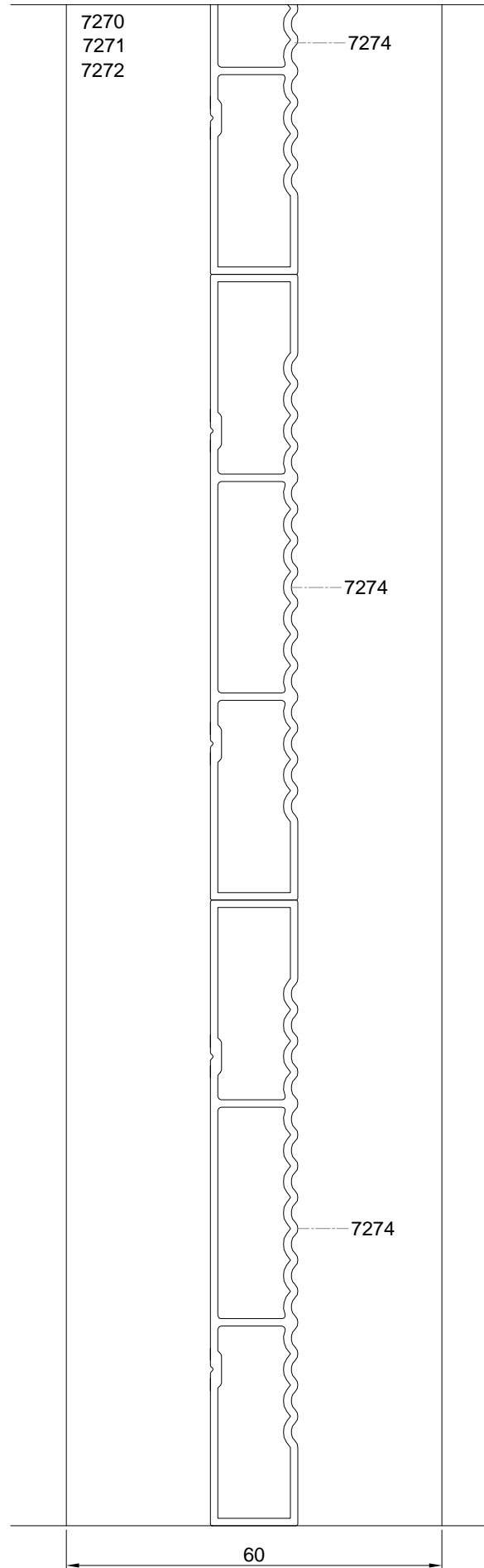
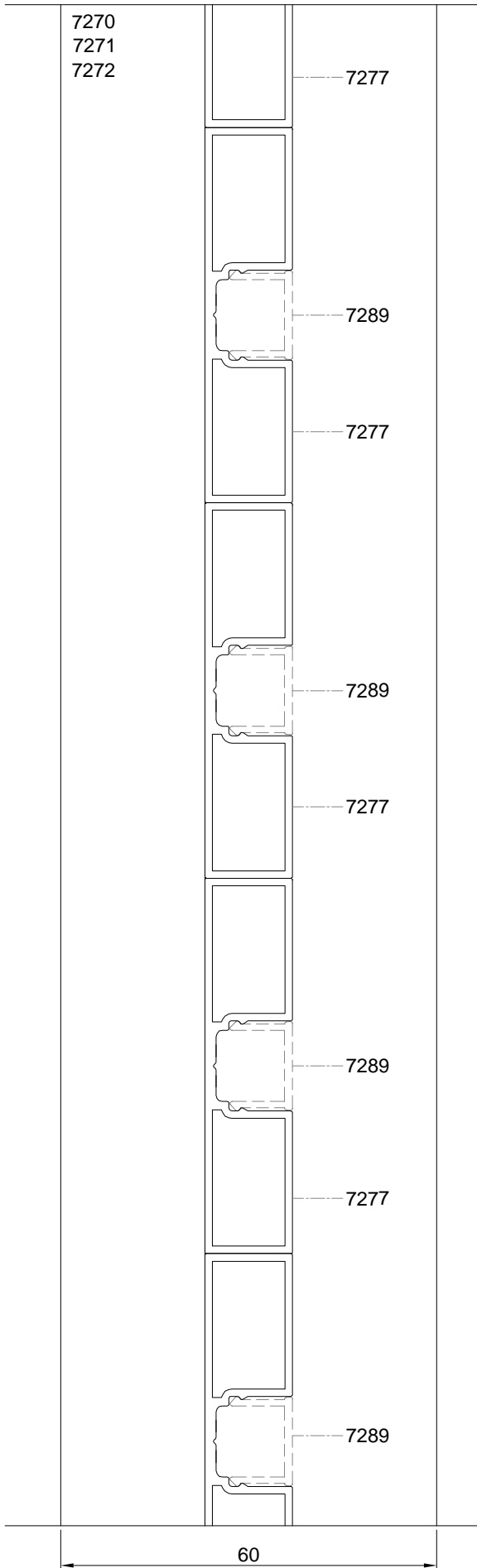


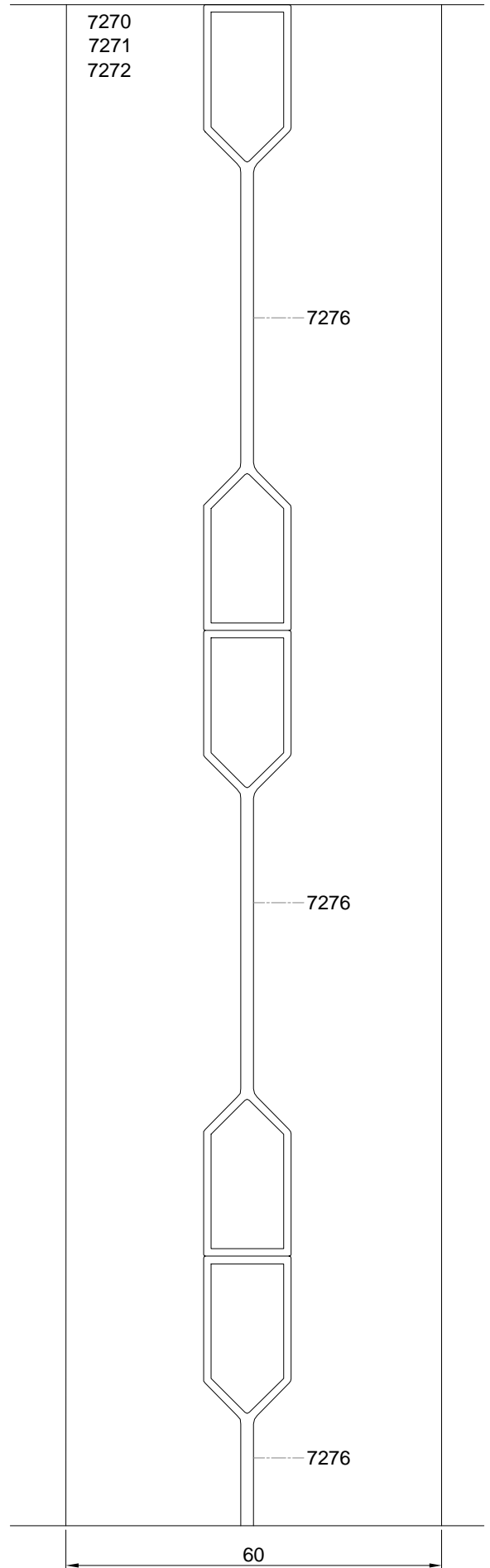
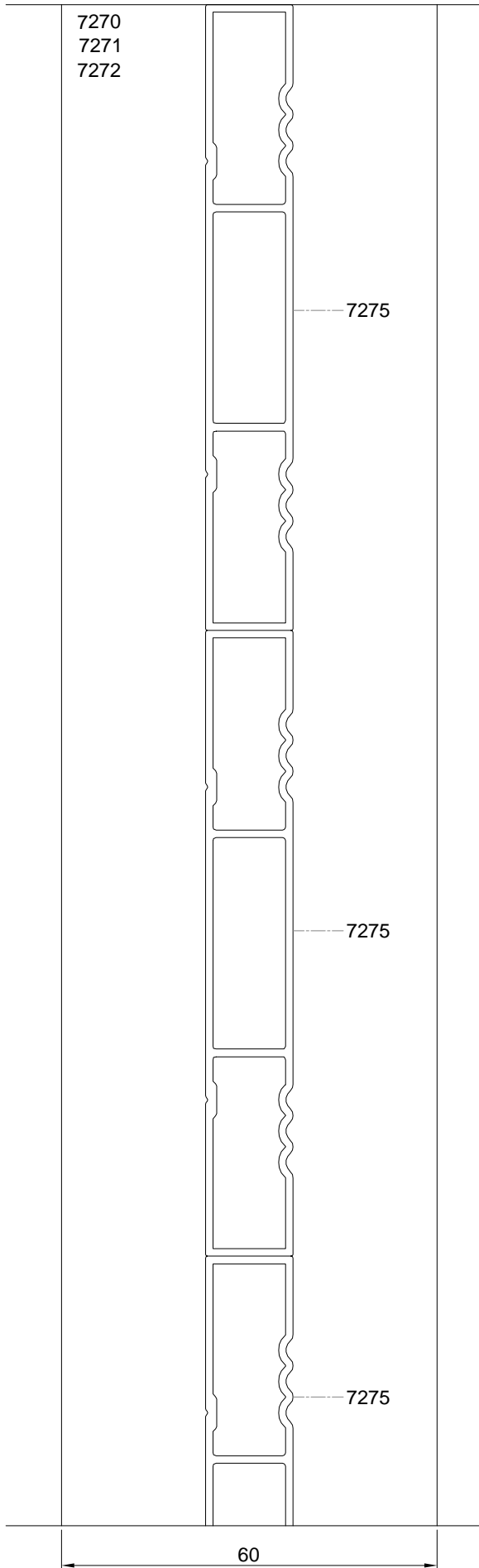
7276



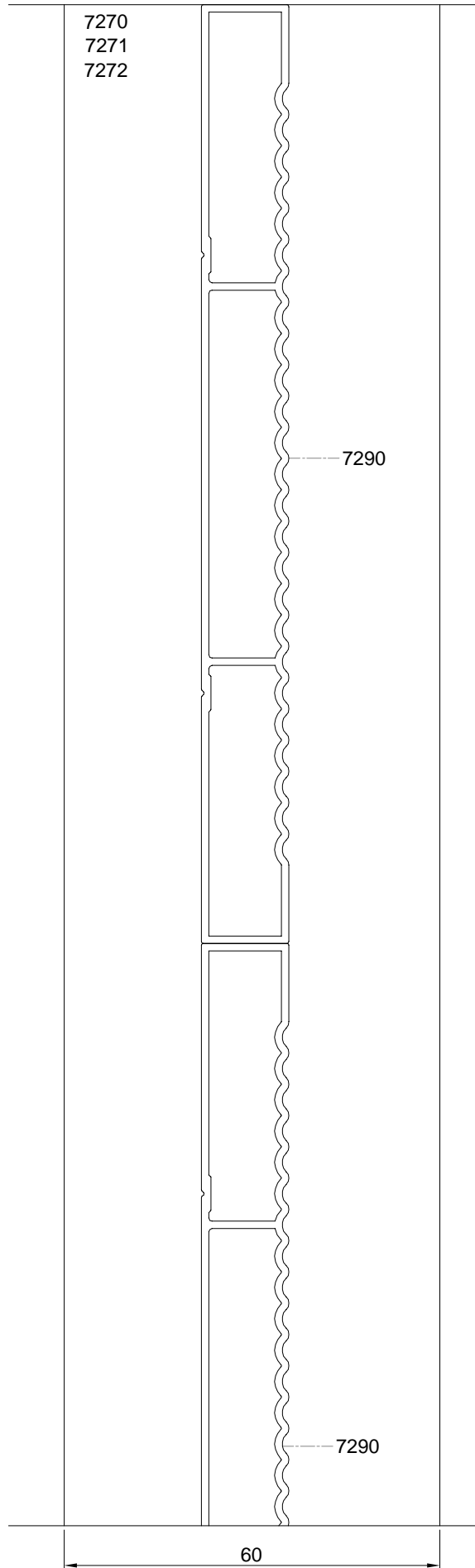
7290

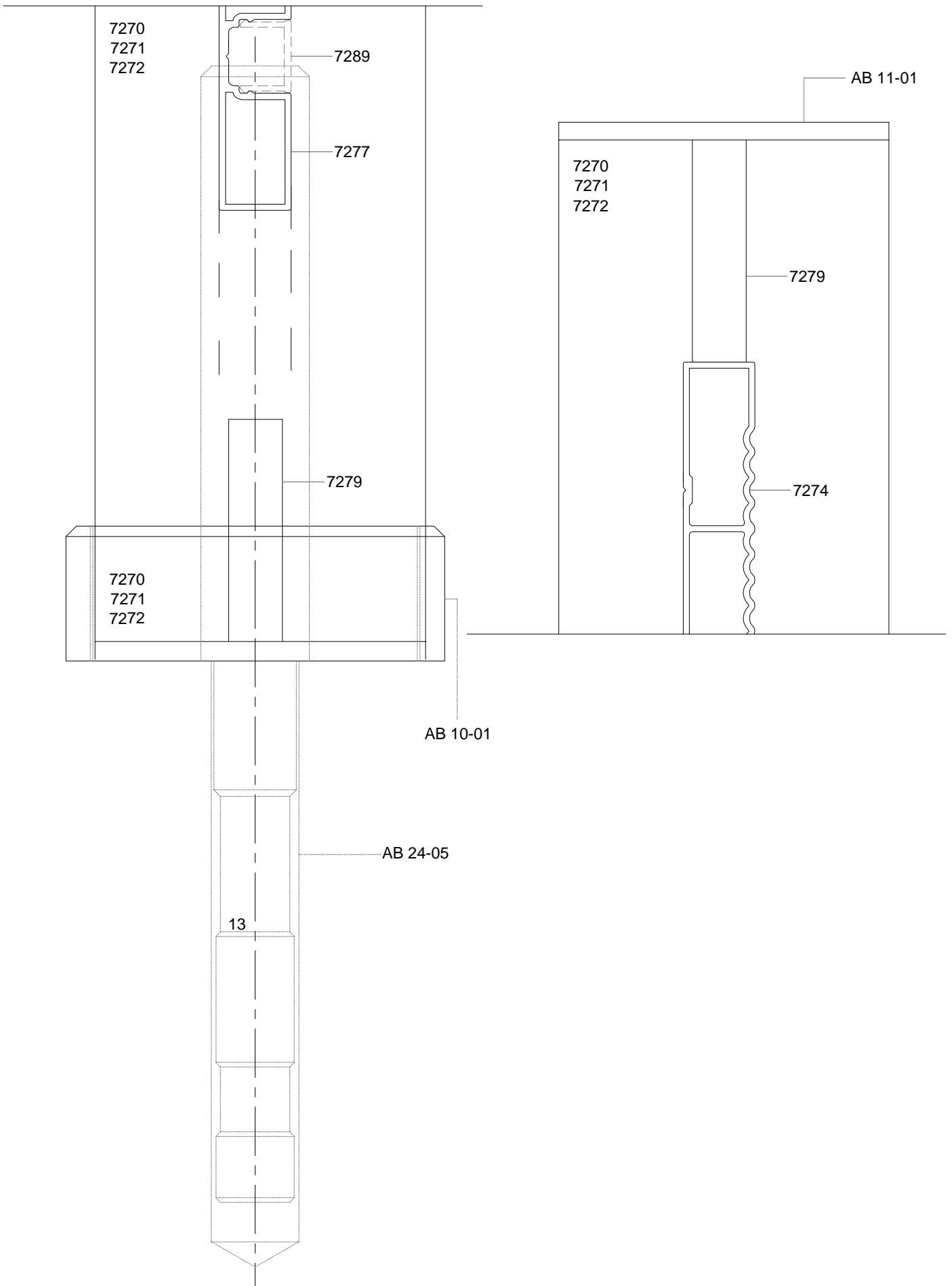


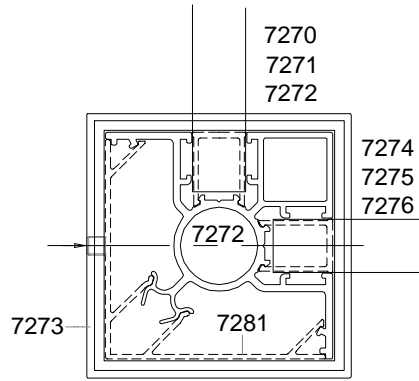




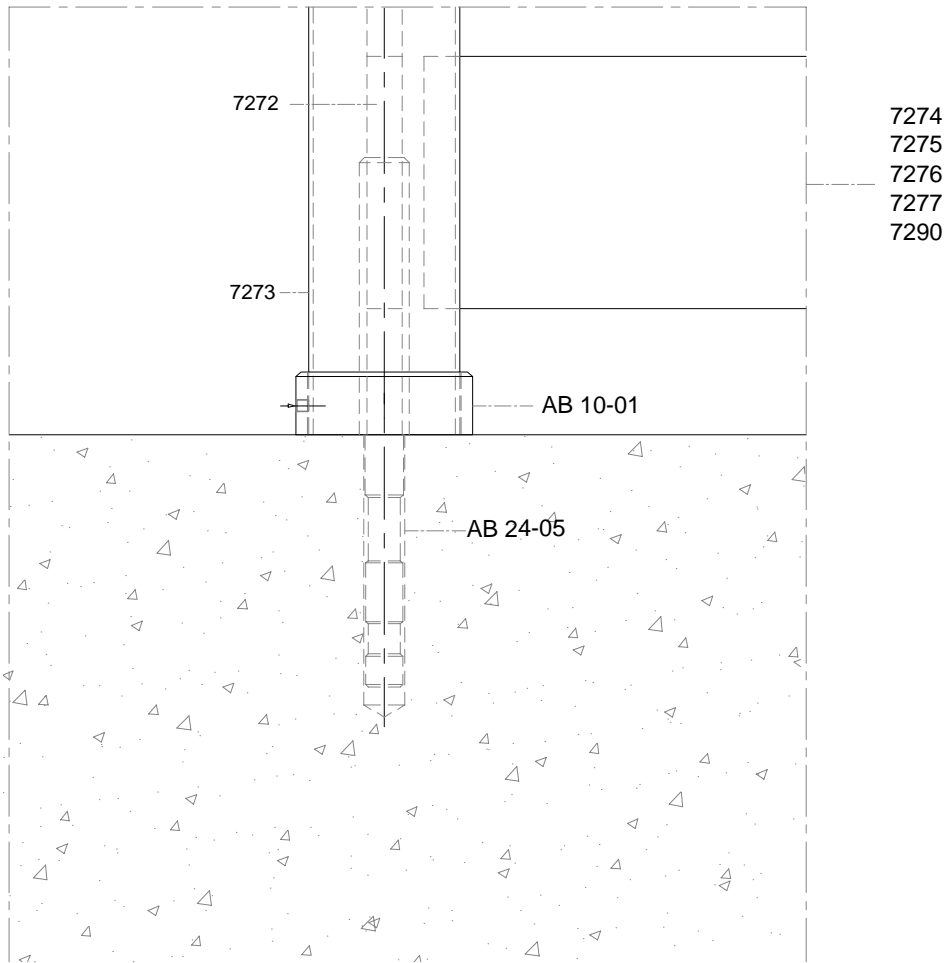


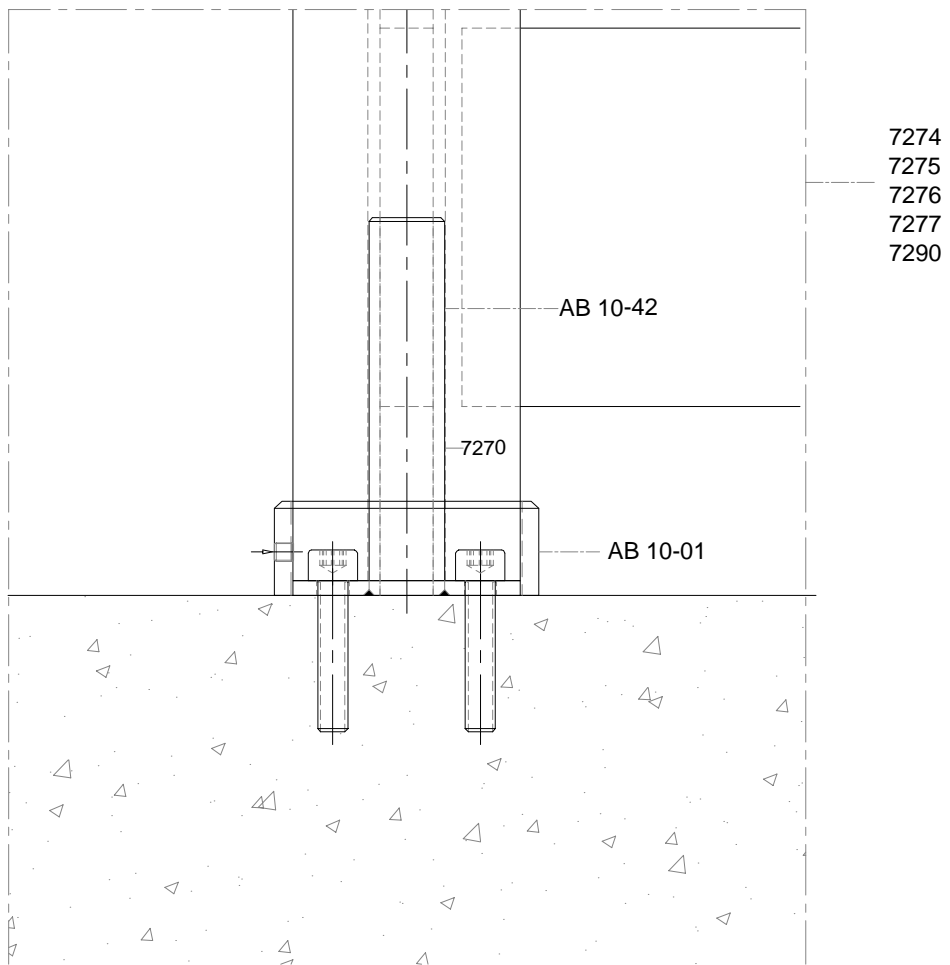
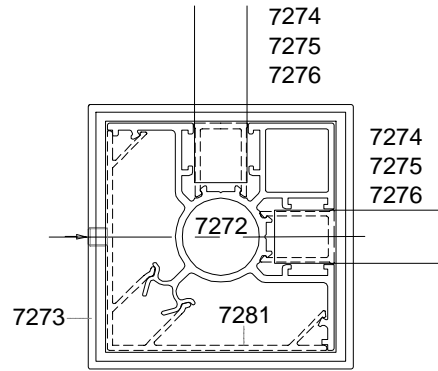


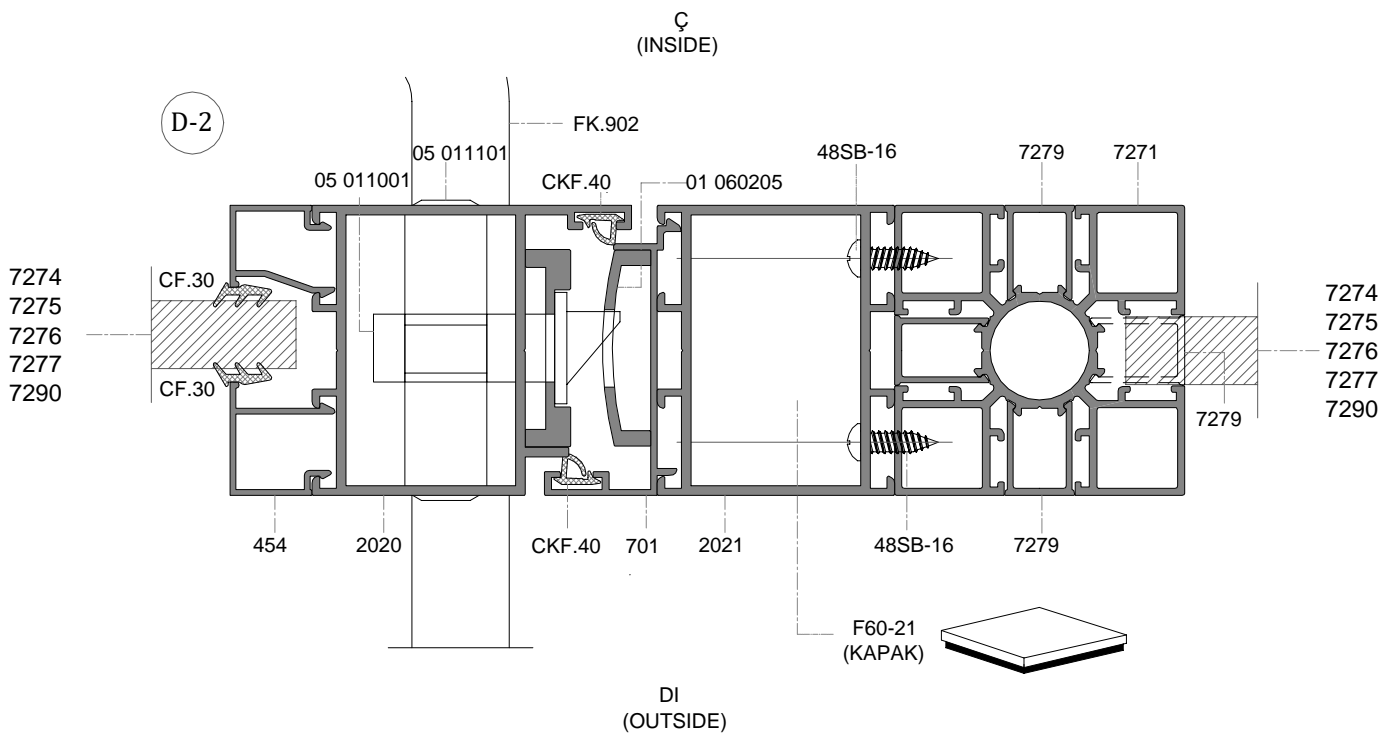
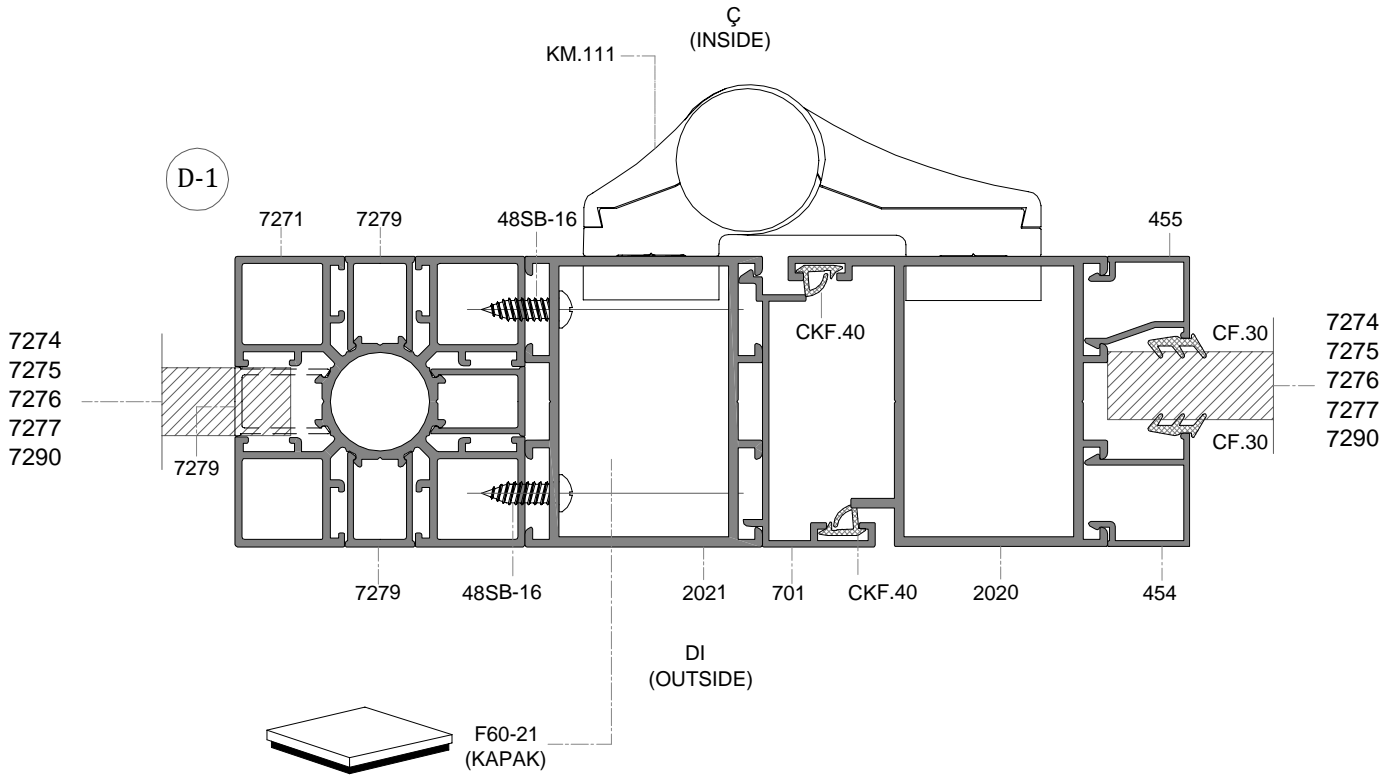
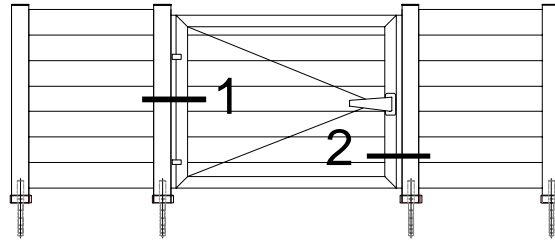


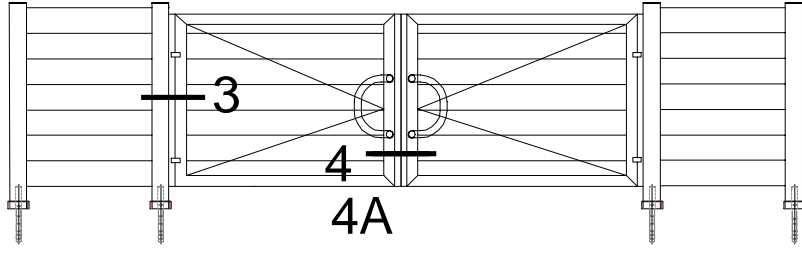


**A - DETAYI**  
**Ö : 1/3**

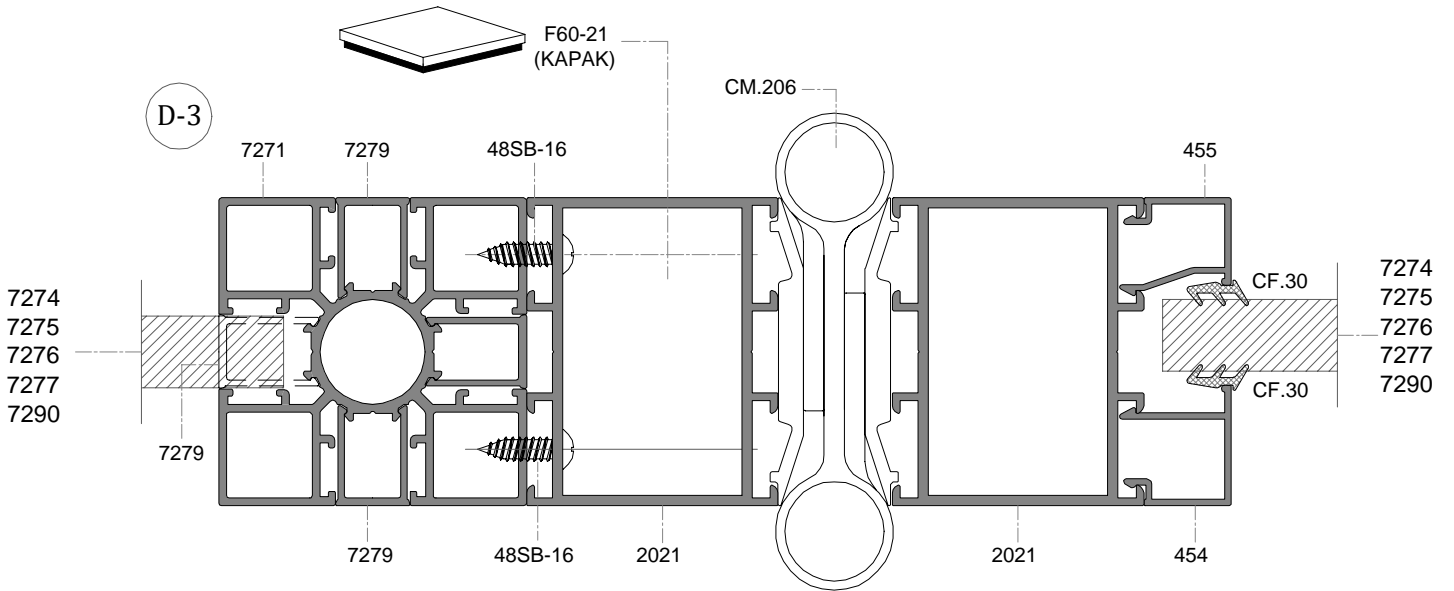








Ç  
(INSIDE)



DI  
(OUTSIDE)

