

Dış Mekan Sistemi  
Outdoor System



# WVG70T

**Kış Bahçesi Sistemi**  
Winter Garden System

# WG70T Yalıtımlı Kış Bahçesi Sistemi

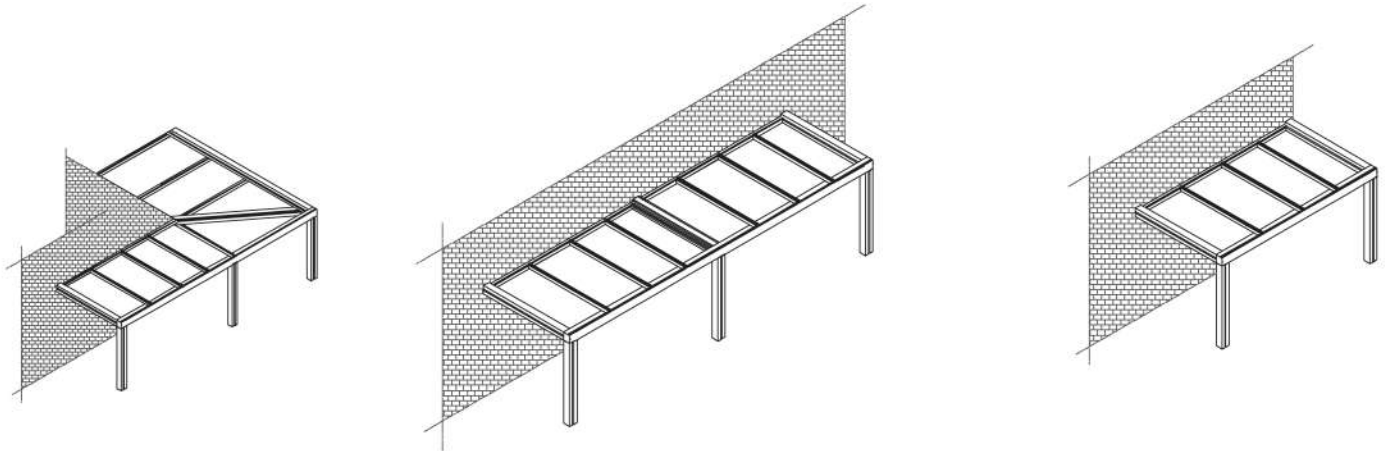
## WG70T Thermo Winter Garden System

### TEKNİK ÖZELLİKLER / TECHNICAL PROPERTIES

	WG70T
Dikme Profil Geniřliđi / Pole Profile Width	123 mm
Oluk Profil Geniřliđi / Gutter Profile Width	104 mm
Tařıyıcı Profil Geniřliđi / Glazing Carrier Profile Width	82 - 113 mm
Profil Et Kalınlıđı / Profile Wall Thickness	1,5 - 3 mm
Maks. Cam Kalınlıđı / Max. Glazing Thickness	32 mm
Maks. Cam Geniřliđi / Max. Glazing Width	820 mm
Eksiz Maks. Veranda Geniřliđi / Max. Jointless Veranda Width	4500 mm
Maks. Veranda Derinliđi / Max. Veranda Depth	3500 mm
İki Dikme Arası Maks. Mesafe / Max. Distance Between Pole Profiles	4500 mm
Veranda Maks. Arka Yükseklik / Max. Veranda Back Height	3000 mm
Veranda Maks. Ön Yükseklik / Max. Veranda Front Height	2500 mm
Min. Termal Isı Yalıtımı / Min. Thermal Insulation	Uf: 1,85 W/(m <sup>2</sup> .K)

### UYGULAMA SEÇENEKLERİ / APPLICATION OPTIONS

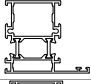
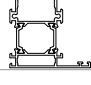




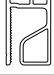
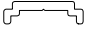
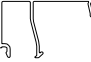
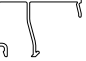
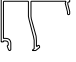

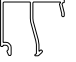

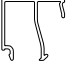







- Oluk Takviye / Gutter Reinforcement
- Tařıyıcı Takviye / Carrier Reinforcement
- Düz Veranda (Ekli - Eksiz) / Straight Veranda (Joint - Jointless)
- L tipi Veranda / L Type Veranda




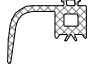





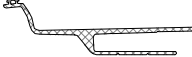
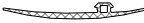
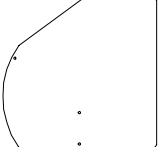



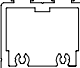
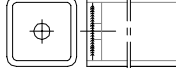
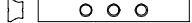
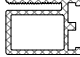

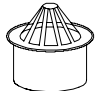
ALÜMİNYUM SANAYİ VE TİC. A.Ş.

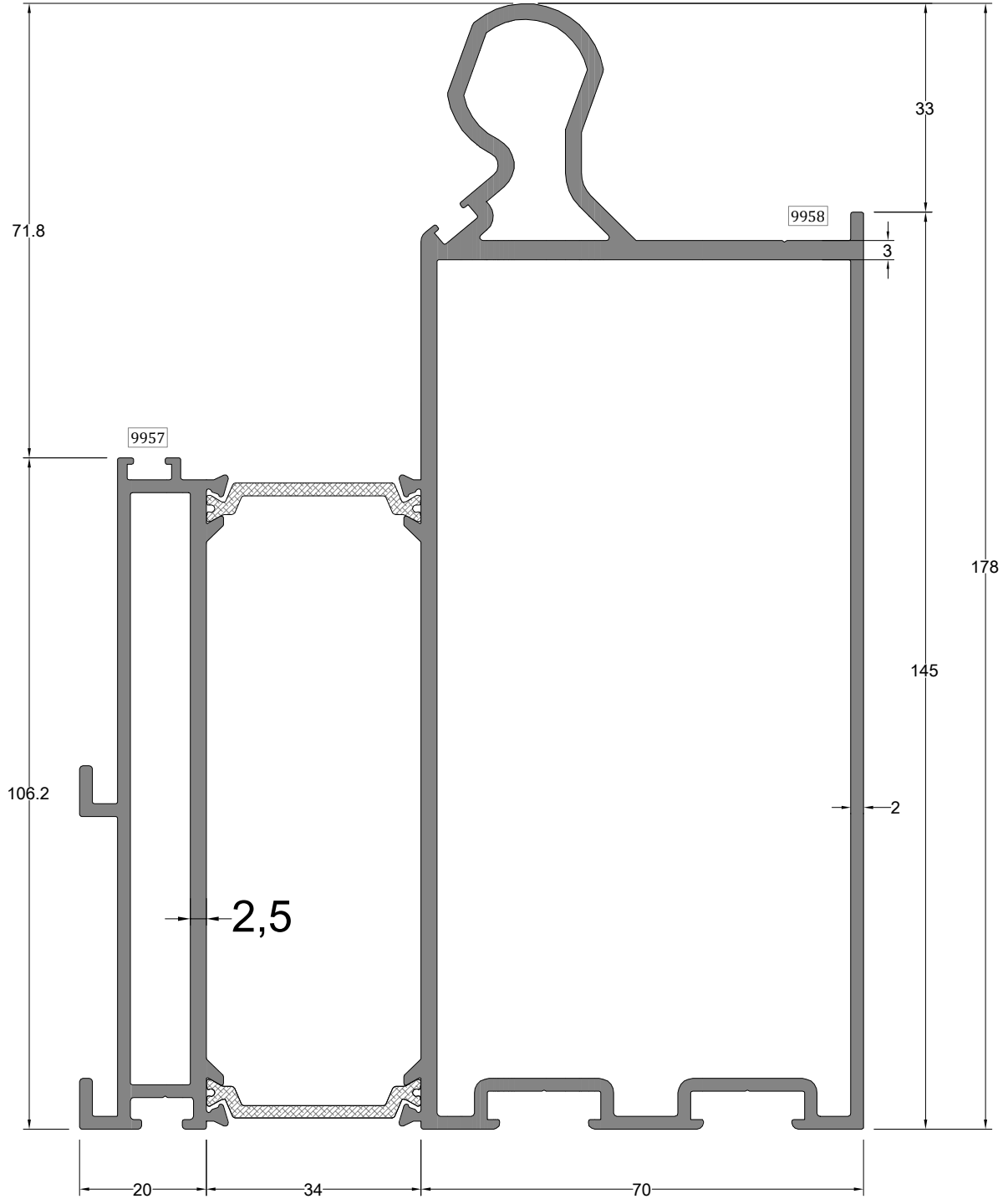


PROFİL KESİTİ PROFILE SECTION	PROFİL KODU PROFILE CODE	PROFİL ADI PROFILE NAME	Jx cm <sup>4</sup>	Jy cm <sup>4</sup>	AĞIRLIK (kg/m) WEIGHT
	34-9957-9958	YATAY OLUK PROFİLİ HORIZONTAL GUTTER PROFILE	604,338 cm <sup>4</sup>	277,032cm <sup>4</sup>	5,355 kg/mt
	9971	OLUK ÖN KAPAK PROFİLİ GUTTER COVER PROFILE	146,176 cm <sup>4</sup>	13,213cm <sup>4</sup>	1,919 kg/mt
	9970	DUVAR CONTA BAĞLANTI PROFİLİ WALL CONNECTION PROFILE	-	-	0,680 kg/mt
	9968	KAPAK PROFİL COVER PROFILE	-	-	1,354 kg/mt
	9972	ÖN OLUK KAPAK PROFİL GUTTER COVER PROFILE	56,164 cm <sup>4</sup>	140,102cm <sup>4</sup>	2,064 kg/mt
	9977	GİDER GİZLEME PROFİLİ DRAINAGE CONCEALING PROFILE	-	-	2,368 kg/mt
	34-9962-9963	DİKME PROFİLİ COLUMN PROFILE	364,933 cm <sup>4</sup>	353,238cm <sup>4</sup>	5,883 kg/mt
	34-9964-9965	DİKME PROFİLİ COLUMN PROFILE	196,445 cm <sup>4</sup>	97,458cm <sup>4</sup>	3,391 kg/mt
	34-9955-9956	TAŞIYICI PROFİLİ GLAZING CARRIER PROFILE	262,443 cm <sup>4</sup>	27,302cm <sup>4</sup>	3,154 kg/mt
	24/34-9980-9979	TAŞIYICI PROFİLİ GLAZING CARRIER PROFILE	-	-	4,990 kg/mt
	34-9966-9967	DUVAR BAĞLANTI TAŞIYICI PROFİLİ WALL CONNECTION CARRIER PROFILE	250,317 cm <sup>4</sup>	17,789cm <sup>4</sup>	2,936 kg/mt
	34-9985-9984	TAŞIYICI KENAR BİTİŞ PROFİLİ END PROFILE	-	-	2,751 kg/mt
	9981	TAŞIYICI ALTI LED PROFİLİ LED PROFILE	-	-	1,548 kg/mt
	9975	BAĞLANTI PROFİLİ CONNECTION PROFILE	-	-	0,232 kg/mt
	30-9950-9951	DUVAR BAĞLANTI WALL CONNECTION PROFILE	11,344 cm <sup>4</sup>	46,286 cm <sup>4</sup>	1,894 kg/mt
	34-9952-9953	DUVAR BAĞLANTI WALL CONNECTION PROFILE	250,317 cm <sup>4</sup>	17,789cm <sup>4</sup>	3,140 kg/mt
	9961	DUVAR BAĞLANTI ÇİTA PROFİLİ WALL CONNECTION BEAD PROFILE	-	-	0,324 kg/mt
	9954	DUVAR BAĞLANTI WALL CONNECTION PROFILE	11,590 cm <sup>4</sup>	37,910cm <sup>4</sup>	1,545 kg/mt
	9960	YATAY KAPAK PROFİL HORIZONTAL COVER PROFILE	-	-	0,578 kg/mt
	9959	YATAY KAPAK ALTI PROFİL HORIZONTAL SUB-COVER PROFILE	9,39 cm <sup>4</sup>	5,66 cm <sup>4</sup>	0,737 kg/mt
	9973	KAPAK ÇİTA PROFİLİ COVER BEAD PROFILE	-	-	0,349 kg/mt

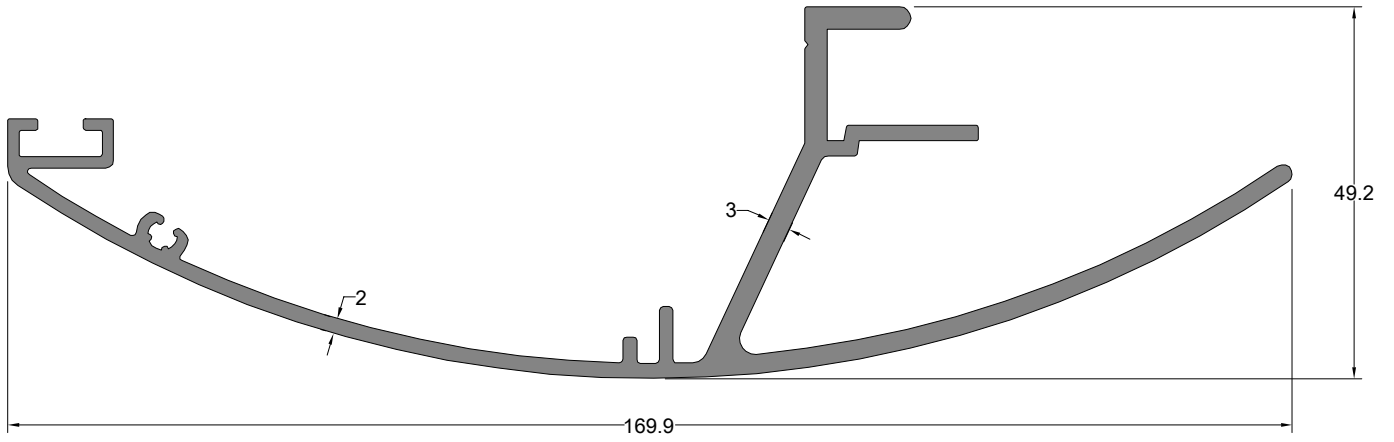
PROFİL KESİTİ PROFILE SECTION	PROFİL KODU PROFILE CODE	PROFİL ADI PROFILE NAME	Jx cm <sup>4</sup>	Jy cm <sup>4</sup>	AĞIRLIK (kg/m) WEIGHT
	55-1704-0769	KASA PROFİLİ FRAME PROFILE	17,94 cm <sup>4</sup>	14,39 cm <sup>4</sup>	1.510 kg/mt
	64-1704-0769	KASA PROFİLİ FRAME PROFILE	26,55 cm <sup>4</sup>	14,39 cm <sup>4</sup>	1.580 kg/mt
	6262	GİDER GİZLEME KAPAK PROFİLİ DRAINAGE CONCEALING COVER PROFILE	-	-	1,169 kg/mt
	6263	GİDER GİZLEME KAPAK PROFİLİ DRAINAGE CONCEALING COVER PROFILE	-	-	1,173 kg/mt
	9982	LED KAPAK PROFİLİ LED COVER PROFILE	-	-	0,461 kg/mt
	9969	DÜŞEY BASKI ÇITA ADAPTÖRÜ VERTICAL ADAPTER	-	-	0,197 kg/mt
	11885	CAM ALTI CONTA ADAPTÖRÜ SUB-GLAZING ADAPTER	-	-	0,663 kg/mt
	9978	TİJ PROFİLİ STEM BAR PROFILE	-	-	0,111 kg/mt
	3537	CAM ÇITASI GLAZING BEAD	-	-	0,367 kg/mt
	1749	CAM ÇITASI GLAZING BEAD	-	-	0,356 kg/mt
	1747	CAM ÇITASI GLAZING BEAD	-	-	0,340 kg/mt
	3536	CAM ÇITASI GLAZING BEAD	-	-	0,329 kg/mt
	3636	CAM ÇITASI GLAZING BEAD	-	-	0,321 kg/mt
	1966	CAM ÇITASI GLAZING BEAD	-	-	0,314 kg/mt
	2236	CAM ÇITASI GLAZING BEAD	-	-	0,310 kg/mt
	1949	CAM ÇITASI GLAZING BEAD	-	-	0,306 kg/mt
	5527	CAM ÇITASI GLAZING BEAD	-	-	0,293 kg/mt
	1745	CAM ÇITASI GLAZING BEAD	-	-	0,282 kg/mt
	1699	CAM ÇITASI GLAZING BEAD	-	-	0,285 kg/mt
	5546	CAM ÇITASI GLAZING BEAD	-	-	0,271 kg/mt
	1698	CAM ÇITASI GLAZING BEAD	-	-	0,270 kg/mt
	1663	KÖŞE TAKOZ PROFİLİ CORNER WEDGE PROFILE	-	-	3,526 kg/mt

\*\* Her profil için minimum sipariş 300 kg'dır.  
\*\* Minimum order quantity is 300 kg per profile.

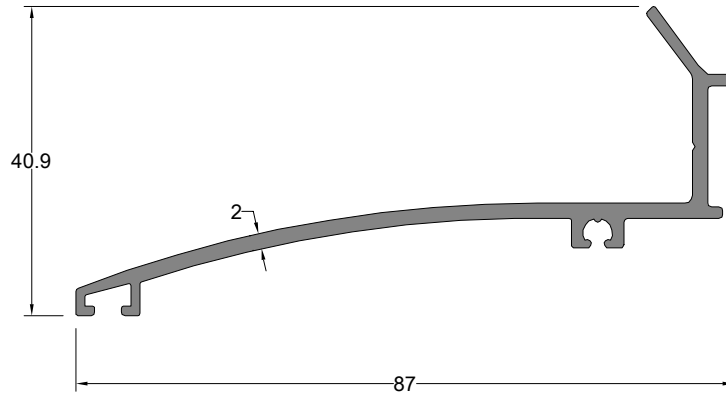
AKSESUAR ACCESSORY	STOK KODU REFERENCE CODE	AKSESUAR ADI DESCRIPTION	AKSESUAR KODU PRODUCT CODE	PAKET PACK
	03 010503	DIŞ CAM FİTİLİ OUTER GLAZING GASKET	WG70T-DCF.30	240 mt / paket 10 kg
	03 015700	Ç CAM F T L INNER GLAZING GASKET	WG70T-CAF.10	
	03 011230	Ç CAM F T L INNER GLAZING GASKET	WG70T- CF.30	330 mt / paket 10 kg
	03 011231	Ç CAM F T L INNER GLAZING GASKET	WG70T- CF.40	205 mt / paket 10 kg
	03 010732	Ç CAM F T L INNER GLAZING GASKET	WG70T- CF.50	175 mt / paket 10 kg
	03 010103	Ç CAM F T L INNER GLAZING GASKET	WG70T-CF.03	
	03 015710	DUVAR YALITIM F T L WALL GASKET	WG70T-DYF.10	
	03 015720	ÇATI YALITIM F T L ROOF GASKET	WG70T-CYF.100	
	03 015730	ÇATI YALITIM F T L ROOF GASKET	WG70T-CYF.50	
	15 700003	ÖN TA İYICI KAPAK FRONT CARRIER COVER	ÖTK.03	
	15 700004	ARKA TA İYICI KAPAK BACK CARRIER COVER	ATK.04	
	15 700001	Ç YATAY TA İYICI KAPAK CARRIER COVER	İYT.01	
	15 700002	DI YATAY TA İYICI KAPAK CARRIER COVER	DYT.02	
	15 700008	D REK BA LANTI PARÇASI COLUMN CONNECTION PART	DBP.08	
	15 700005	D REK YER BA LANTI PARÇASI COLUMN GROUND CONNECTION PART	DYB.05	
	15 700007	KAYIT SAB TLEME SOMUNU MULLION FIXING PART	KS.07	
	01 500100	ÇATI YALITIM PLAST ROOF INSULATION PLASTIC	WG70T-CYP.40	
	15 700030	DEL KL ALU./PASLANMAZ LEVHA STAINLESS STEEL PLATE	DYB.05	
	15 700021	OLUK G DER WATER DRAIN	OG.021	



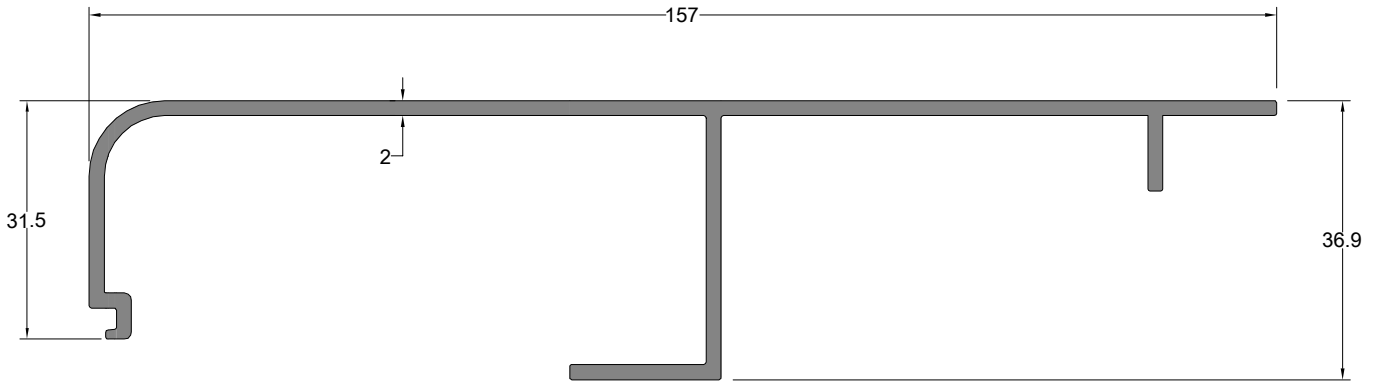
Yatay Oluk Profili HORIZANTEL GUTTER PROFILE	Profil Kodu Profile Code	(kg/mt) Weight	Jx cm <sup>4</sup>	Jy cm <sup>4</sup>
	34-9957-9958	5,355	604,338 cm <sup>4</sup>	277,032 cm <sup>4</sup>



Oluk Ön Kapak Profili GUTTER FRONT COVER PROFILE	Profil Kodu Profile Code	(kg/mt) Weight	Jx cm <sup>4</sup>	Jy cm <sup>4</sup>
	9971	1,919	146,176 cm <sup>4</sup>	13,213 cm <sup>4</sup>

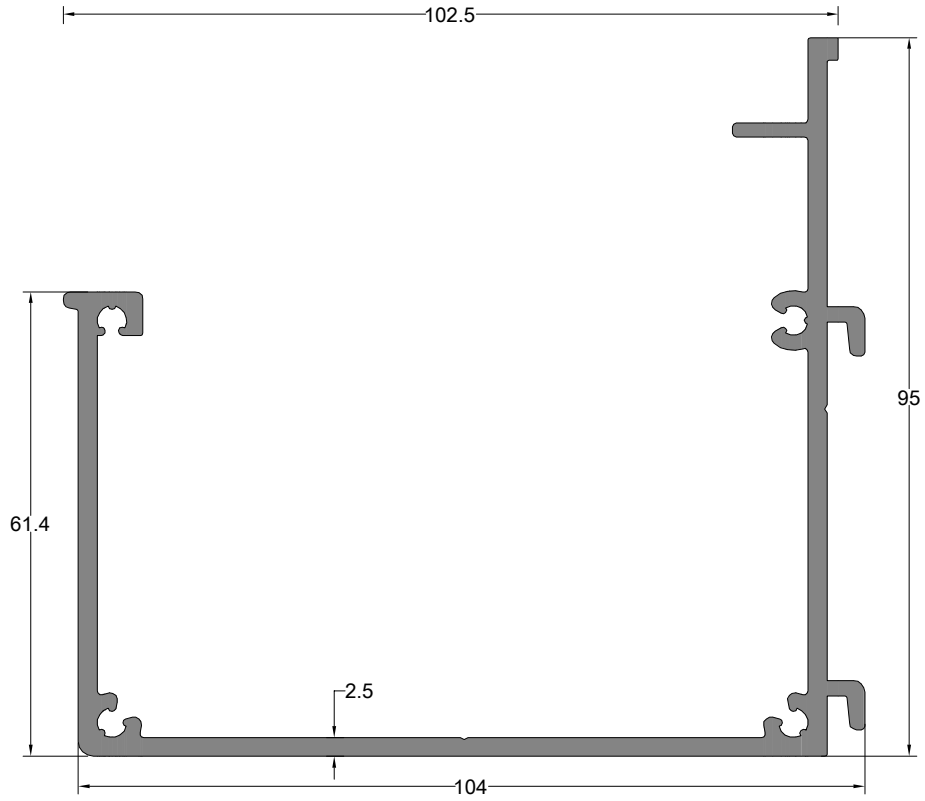


Duvar Conta Bağlantı Profili WALL CONNECTION PROFILE	Profil Kodu Profile Code	(kg/mt) Weight	Jx cm <sup>4</sup>	Jy cm <sup>4</sup>
	9970	0,680	-	-

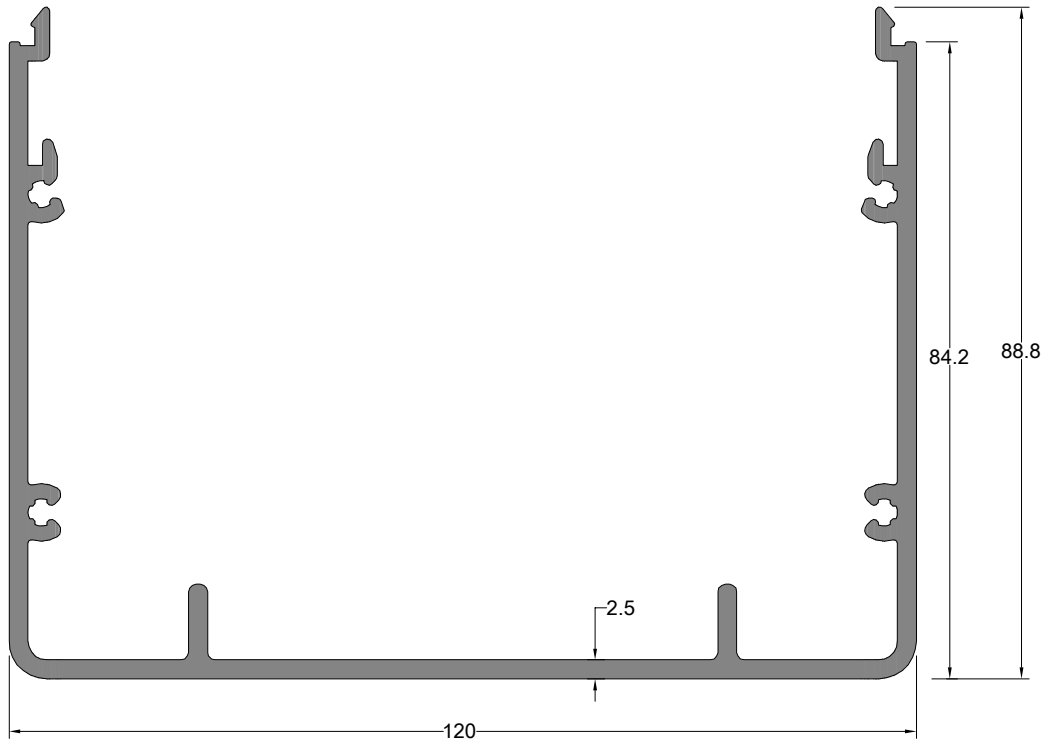


Kapak Profili COVER PROFILE	Profil Kodu Profile Code	(kg/mt) Weight	Jx cm <sup>4</sup>	Jy cm <sup>4</sup>
	9968	1,354	-	-

\*\* Her profil için minimum sipariş 300 kg'dır.  
\*\* Minimum order quantity is 300 kg per profile.

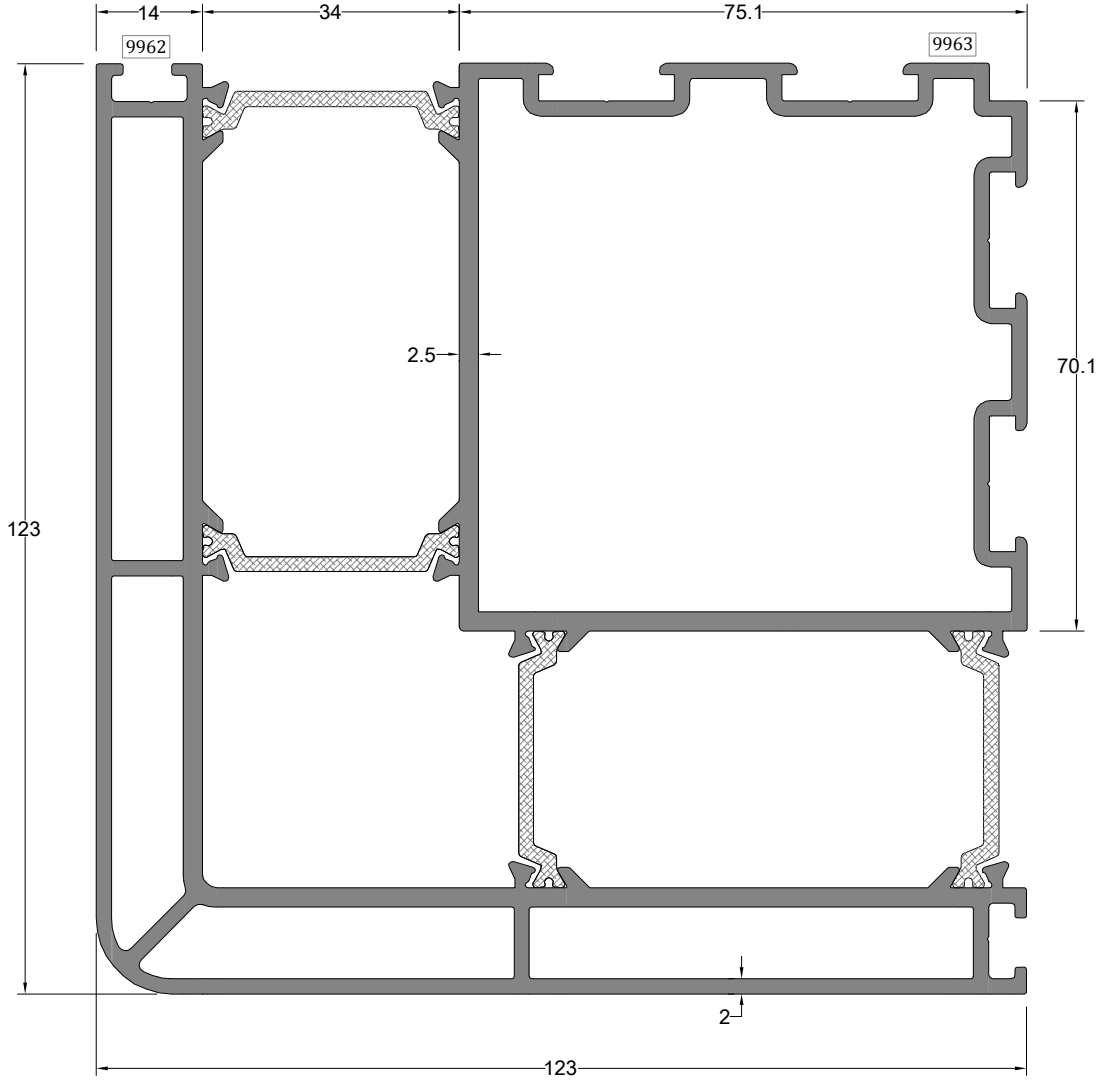


Oluk Profili GUTTER PROFILE	Profil Kodu Profile Code	(kg/mt) Weight	Jx cm <sup>4</sup>	Jy cm <sup>4</sup>
	9972	2,064	56,164 cm <sup>4</sup>	140,102 cm <sup>4</sup>



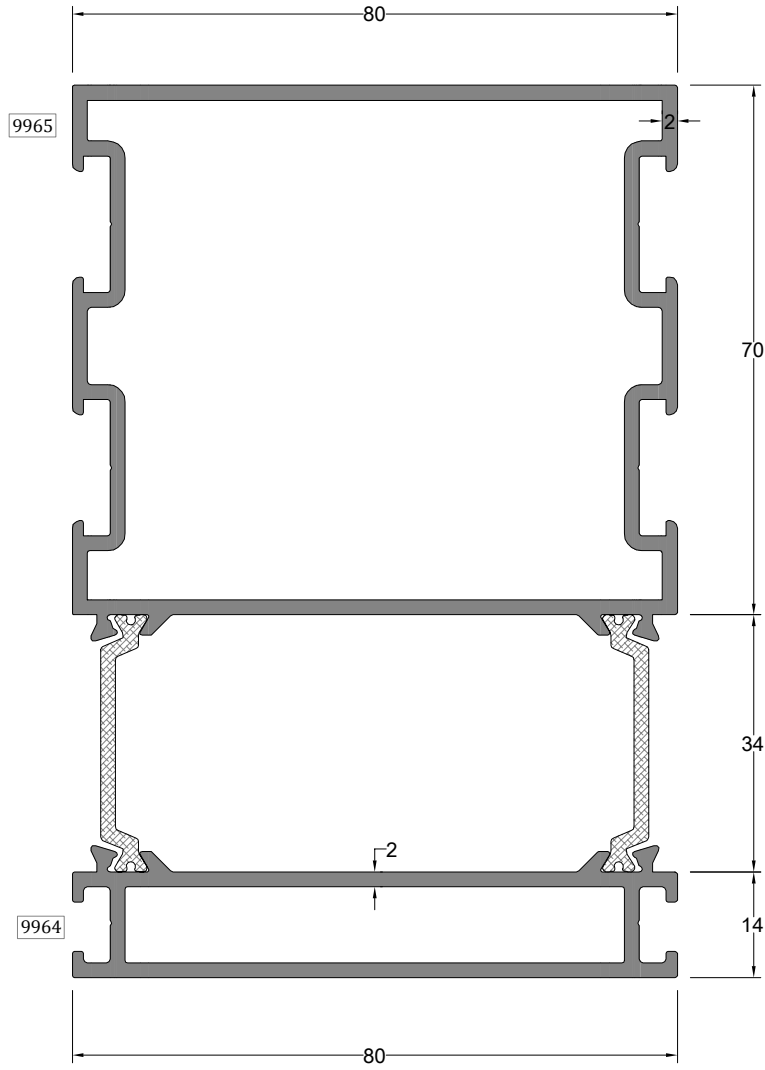
Gider Gizleme Profili DRAINAGE CONCEALING PROFILE	Profil Kodu Profile Code	(kg/mt) Weight	Jx cm <sup>4</sup>	Jy cm <sup>4</sup>
	9977	2,368	-	-





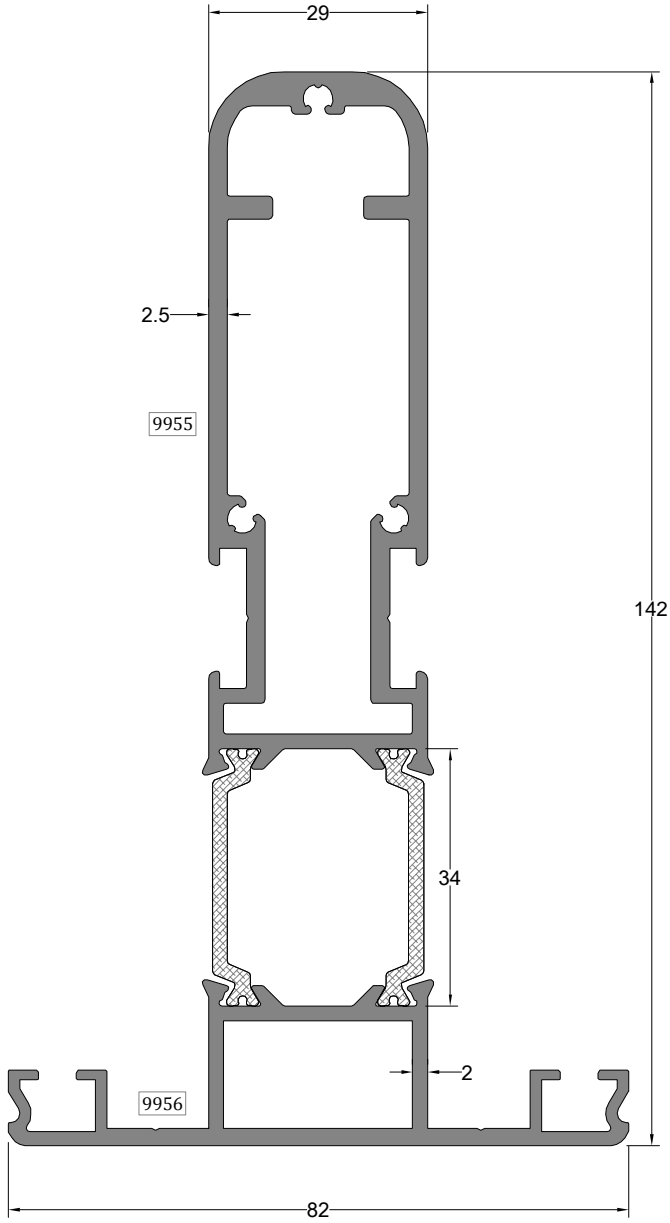
Dikme Profili  
POLE PROFILE

Profil Kodu Profile Code	(kg/mt) Weight	Jx cm <sup>4</sup>	Jy cm <sup>4</sup>
34-9962-9963	5,883	364,933 cm <sup>4</sup>	353,238 cm <sup>4</sup>

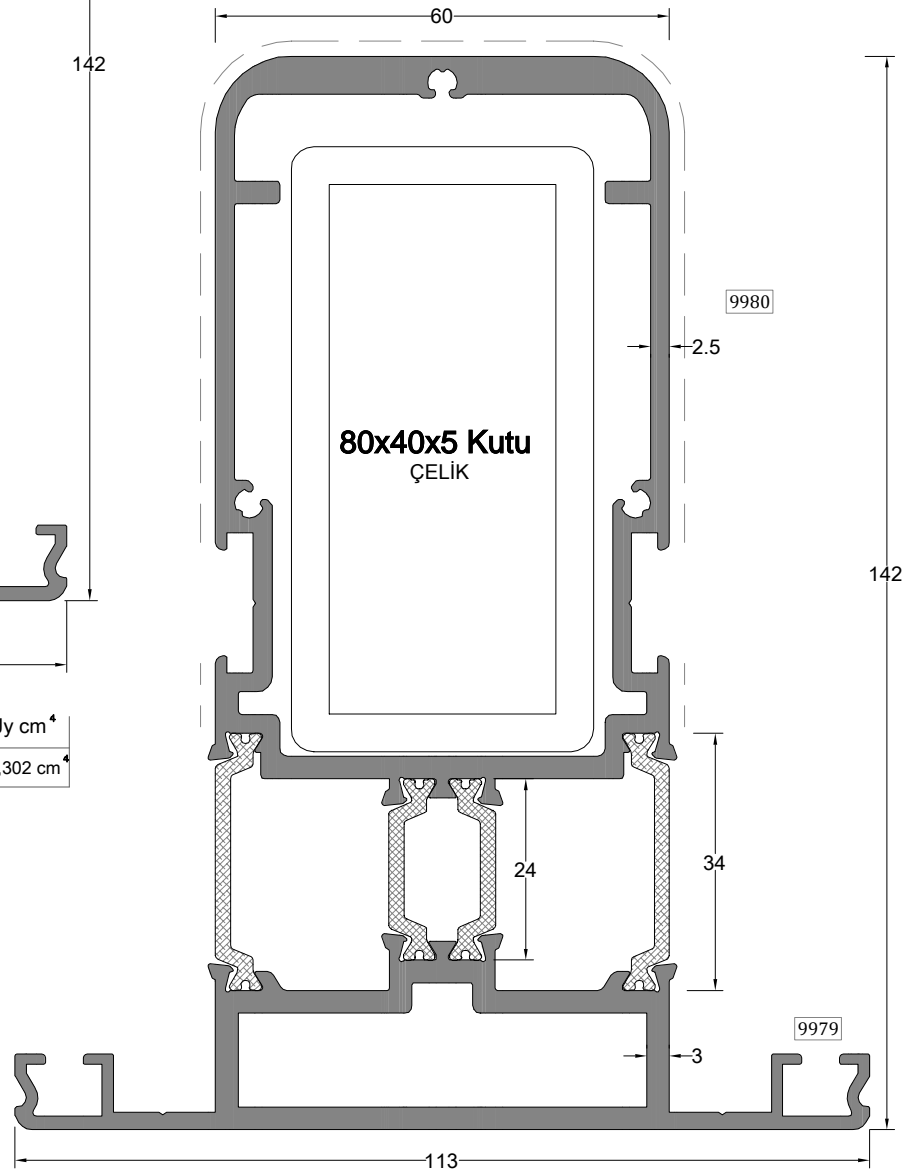


Dikme Profili  
POLE PROFILE

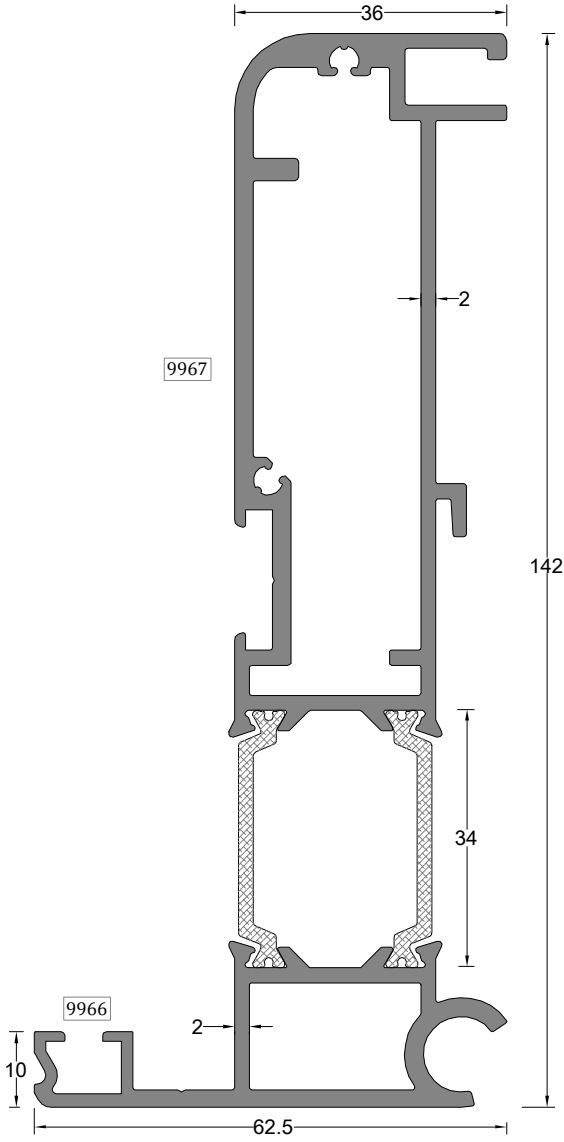
Profil Kodu Profile Code	(kg/mt) Weight	Jx cm <sup>4</sup>	Jy cm <sup>4</sup>
34-9964-9965	3,391	196,445 cm <sup>4</sup>	97,458 cm <sup>4</sup>



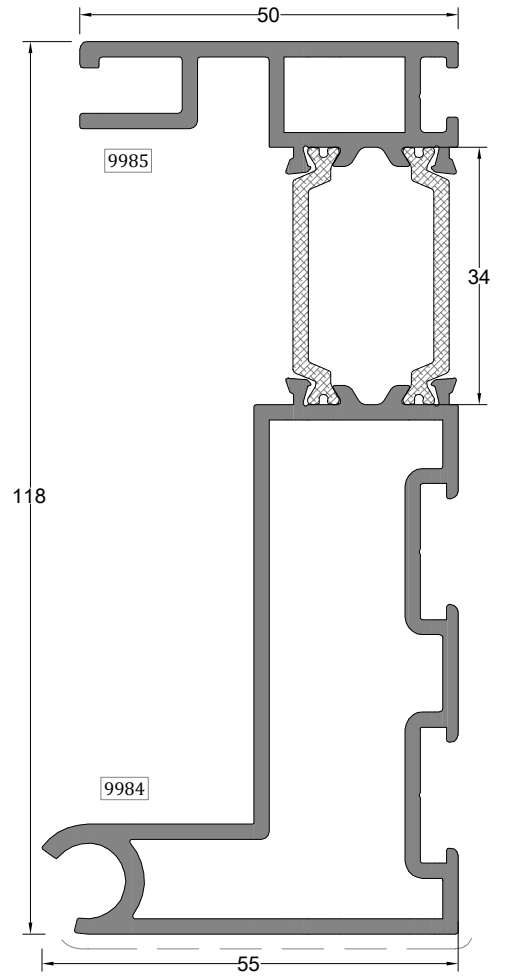
Taşıyıcı Profili GLAZING CARRIER PROFILE	Profil Kodu Profile Code	(kg/mt) Weight	Jx cm <sup>4</sup>	Jy cm <sup>4</sup>
	34-9955-9956	3,154	262,443 cm <sup>4</sup>	27,302 cm <sup>4</sup>



Taşıyıcı Profili GLAZING CARRIER PROFILE	Profil Kodu Profile Code	(kg/mt) Weight	Jx cm <sup>4</sup>	Jy cm <sup>4</sup>
	24/34-9980-9979	4,990	-	-

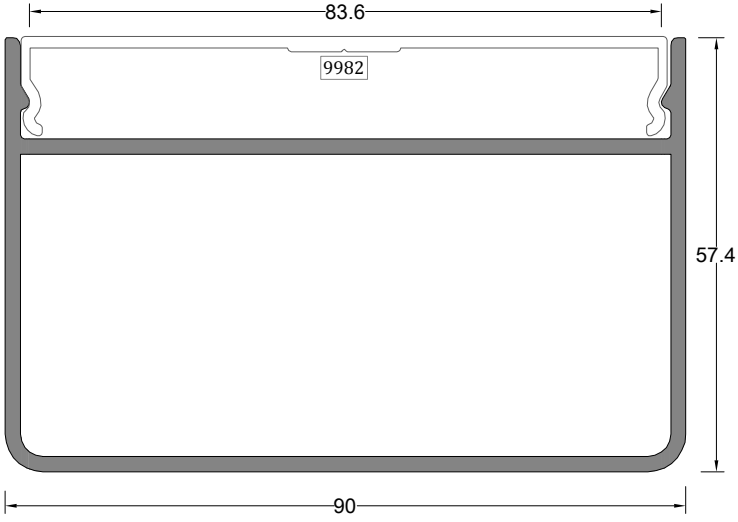


Duvar Bağlantı Taşıyıcı Profili WALL CONNECTION CARRIER PROFILE	Profil Kodu Profile Code	(kg/mt) Weight	Jx cm <sup>4</sup>	Jy cm <sup>4</sup>
	34-9966-9967	2,936	146,176 cm <sup>4</sup>	13,213 cm <sup>4</sup>

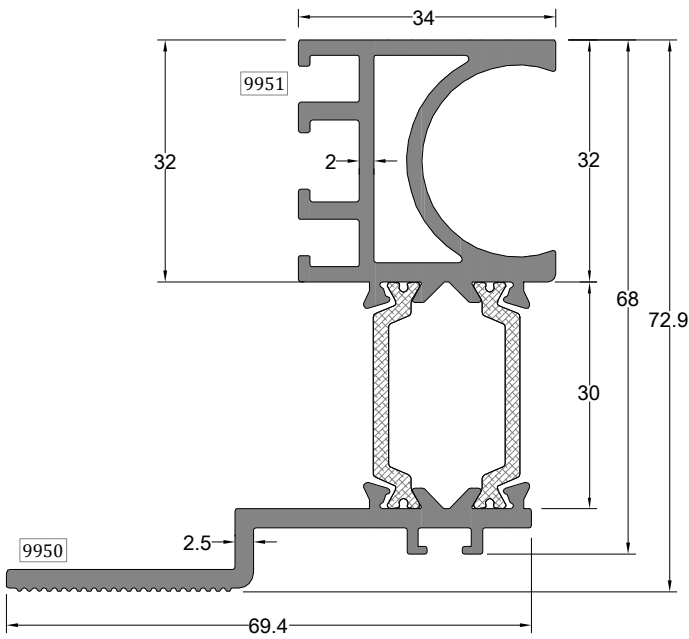
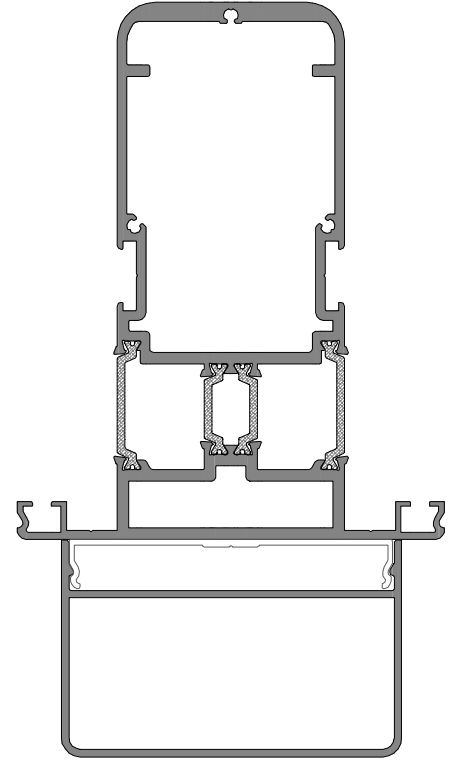


Taşıyıcı Kenar Bitiş Profili END PROFILE	Profil Kodu Profile Code	(kg/mt) Weight	Jx cm <sup>4</sup>	Jy cm <sup>4</sup>
	34-9985-9984	2,751	-	-

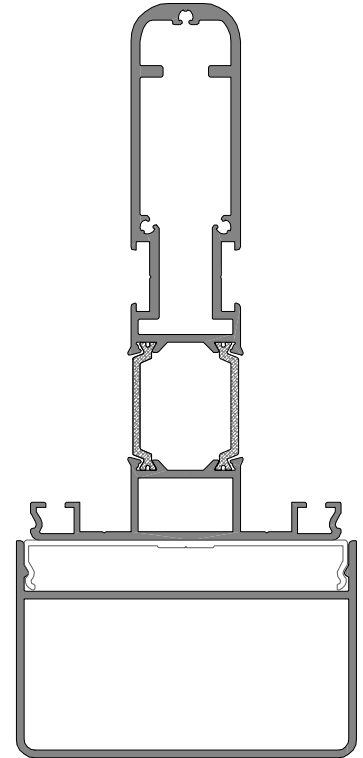
\*\* Her profil için minimum sipariş 300 kg'dır.  
\*\* Minimum order quantity is 300 kg per profile.



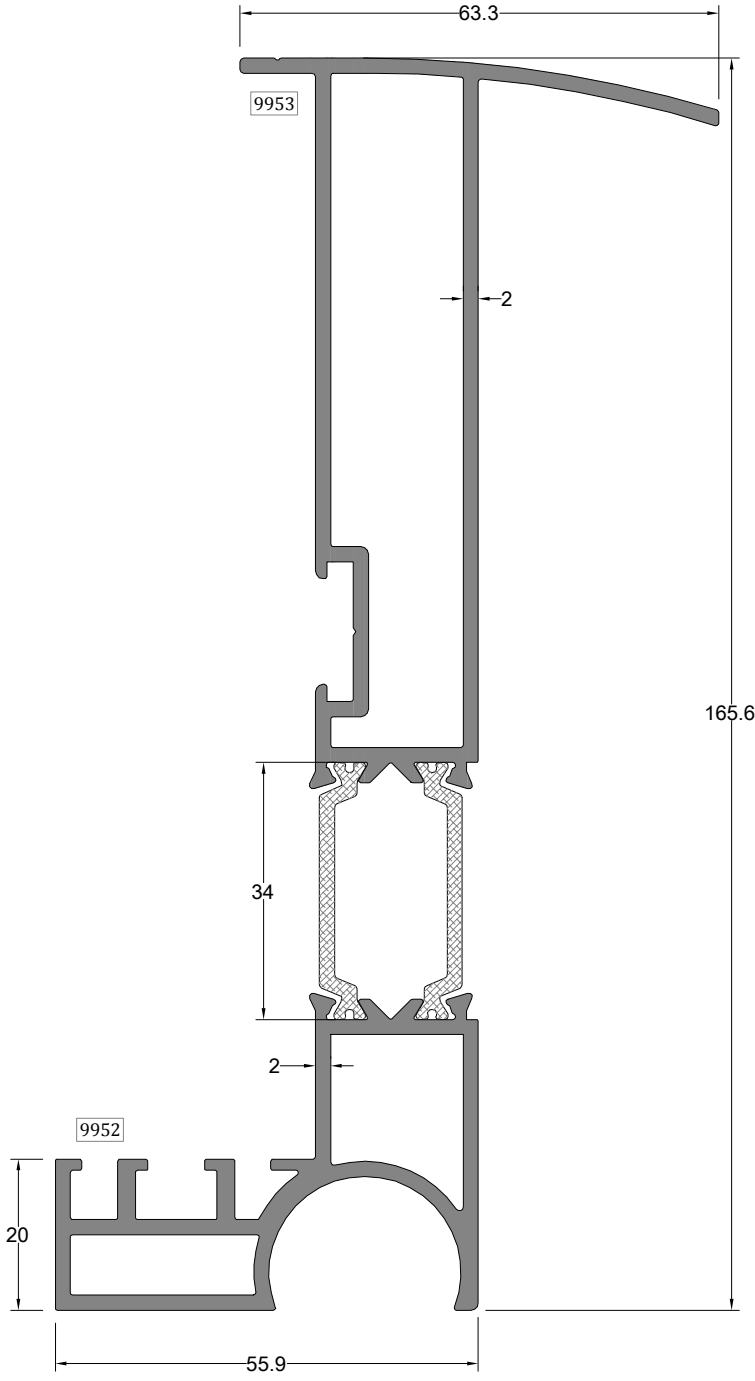
Taşıyıcı Altı Led Profili	Profil Kodu Profile Code	(kg/mt) Weight	Jx cm <sup>4</sup>	Jy cm <sup>4</sup>
LED PROFILE	9981	1,548	-	-



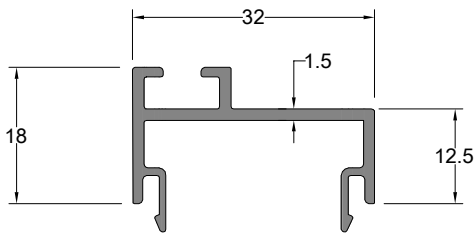
Duvar Bağlantı Profili	Profil Kodu Profile Code	(kg/mt) Weight	Jx cm <sup>4</sup>	Jy cm <sup>4</sup>
WALL CONNECTION PROFILE	30-9950-9951	1,894	11,344 cm <sup>4</sup>	46,286 cm <sup>4</sup>



\*\* Her profil için minimum sipariş 300 kg'dır.  
\*\* Minimum order quantity is 300 kg per profile.

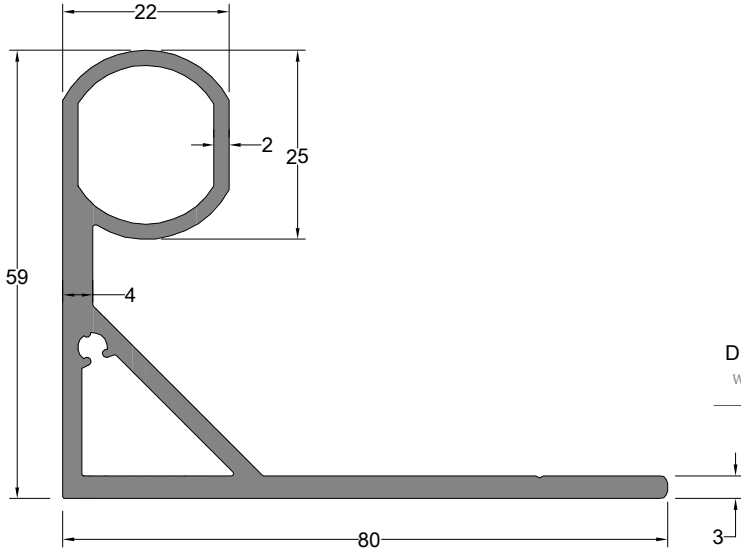


Duvar Bağlantı Profili	Profil Kodu	(kg/mt)	Jx cm <sup>4</sup>	Jy cm <sup>4</sup>
WALL CONNECTION PROFILE	Profile Code	Weight		
	34-9952-9953	3,140	250,317 cm <sup>4</sup>	17,789 cm <sup>4</sup>

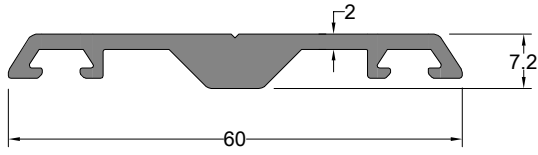


Duvar Bağlantı Çıta Profili	Profil Kodu	(kg/mt)	Jx cm <sup>4</sup>	Jy cm <sup>4</sup>
WALL CONNECTION BEAD PROFILE	Profile Code	Weight		
	9961	0,324	-	-

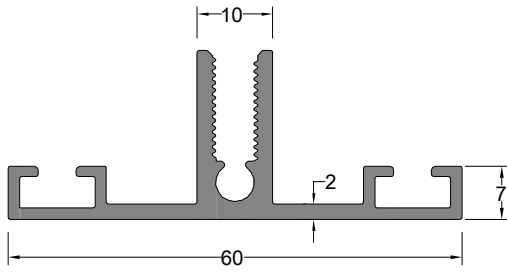
\*\* Her profil için minimum sipariş 300 kg'dır.  
\*\* Minimum order quantity is 300 kg per profile.



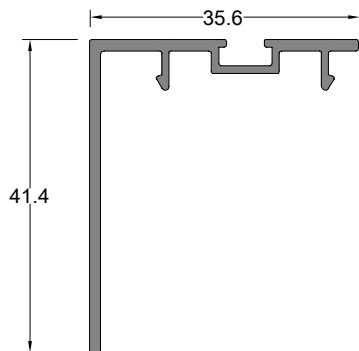
Duvar Bağlantı Profili WALL CONNECTION PROFILE	Profil Kodu Profile Code	(kg/mt) Weight	Jx cm <sup>4</sup>	Jy cm <sup>4</sup>
	9954	1,545	11,590 cm <sup>4</sup>	37,910 cm <sup>4</sup>



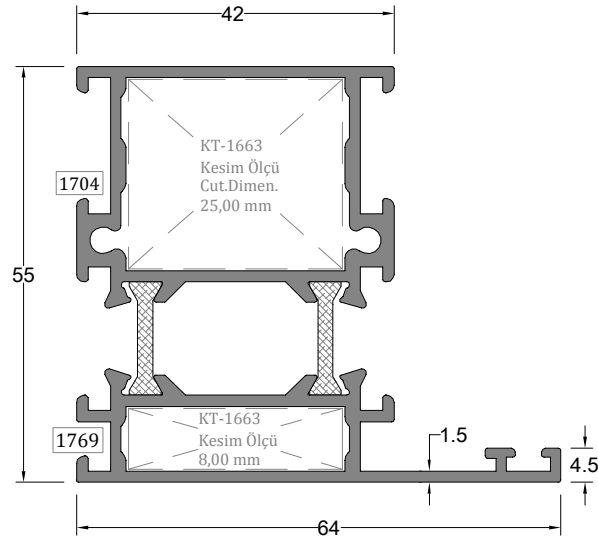
Yatay Kapak Profili HORIZONTAL COVER PROFILE	Profil Kodu Profile Code	(kg/mt) Weight	Jx cm <sup>4</sup>	Jy cm <sup>4</sup>
	9960	0,578	-	-



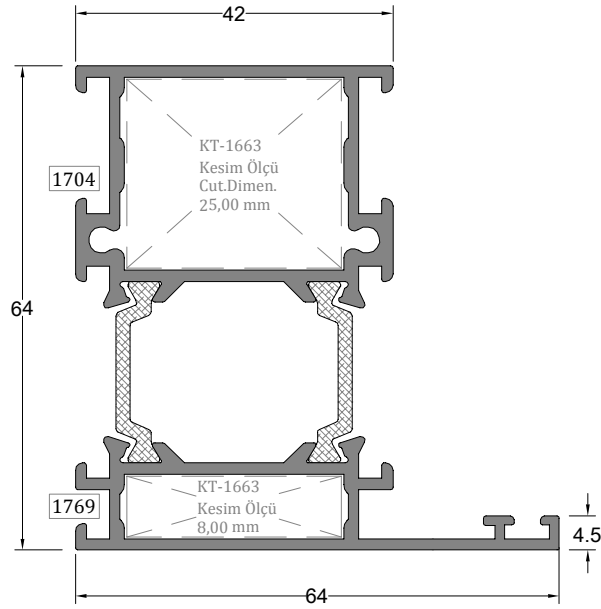
Yatay Kapak Altı Profili HORIZONTAL SUP-COVER PROFILE	Profil Kodu Profile Code	(kg/mt) Weight	Jx cm <sup>4</sup>	Jy cm <sup>4</sup>
	9959	0,737	9,39 cm <sup>4</sup>	5,66 cm <sup>4</sup>



Kapak Çıta Profili COVER BEAD PROFILE	Profil Kodu Profile Code	(kg/mt) Weight	Jx cm <sup>4</sup>	Jy cm <sup>4</sup>
	9973	0,349	-	-

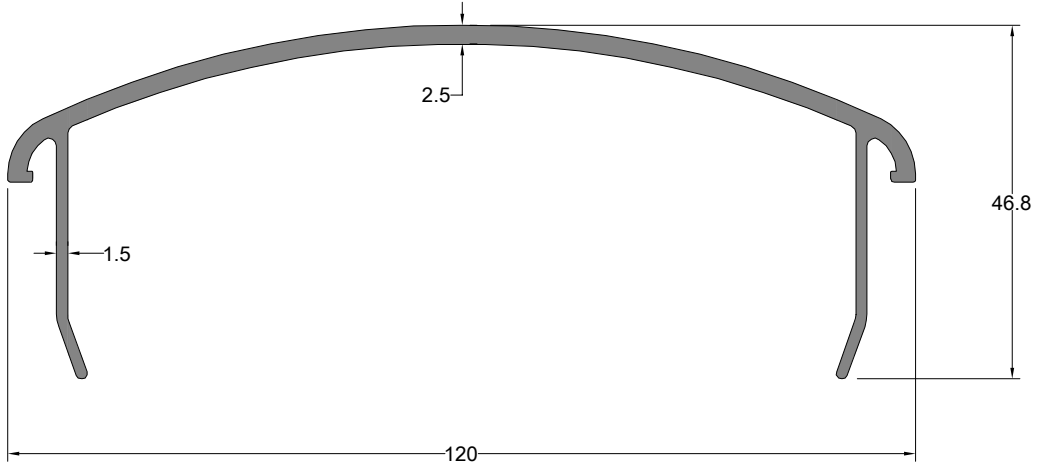


Kasa Profili	Profil Kodu	(kg/mt)	Jx cm <sup>4</sup>	Jy cm <sup>4</sup>
FRAME PROFILE	Profile Code	Weight		
	55-1704-1769	1,510	17,94 cm <sup>4</sup>	14,39 cm <sup>4</sup>

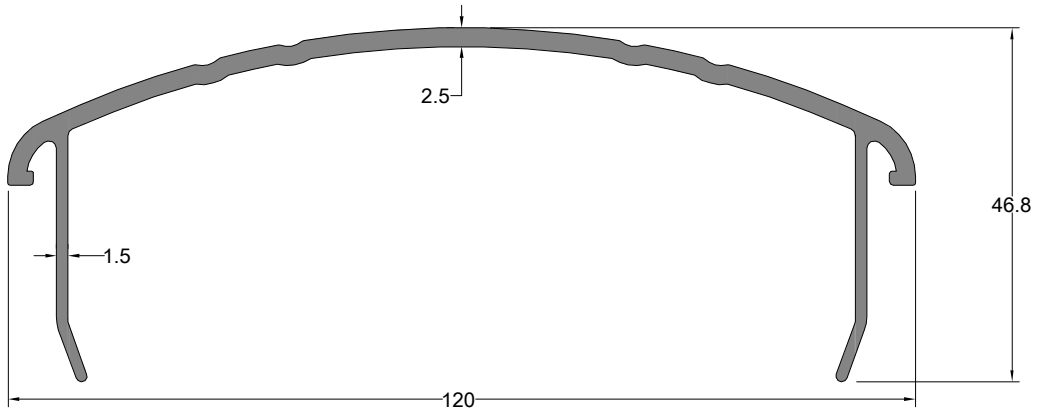


Kasa Profili	Profil Kodu	(kg/mt)	Jx cm <sup>4</sup>	Jy cm <sup>4</sup>
FRAME PROFILE	Profile Code	Weight		
	64-1704-1769	1,580	26,55 cm <sup>4</sup>	14,39 cm <sup>4</sup>



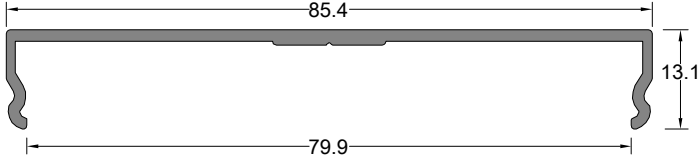


Gider Gizleme Kapak Profili DRAINAGE CONCEALING COVER PROFILE	Profil Kodu Profile Code	(kg/mt) Weight	Jx cm <sup>4</sup>	Jy cm <sup>4</sup>
	6262	1,169	-	-

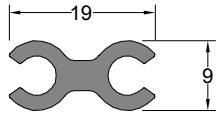


Gider Gizleme Kapak Profili DRAINAGE CONCEALING COVER PROFILE	Profil Kodu Profile Code	(kg/mt) Weight	Jx cm <sup>4</sup>	Jy cm <sup>4</sup>
	6263	1,173	-	-

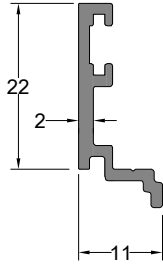
\*\* Her profil için minimum sipariş 300 kg'dır.  
\*\* Minimum order quantity is 300 kg per profile.



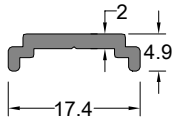
Led Kapak Profili LED COVER PROFILE	Profil Kodu Profile Code	(kg/mt) Weight	Jx cm <sup>4</sup>	Jy cm <sup>4</sup>
	9982	0,461	-	-



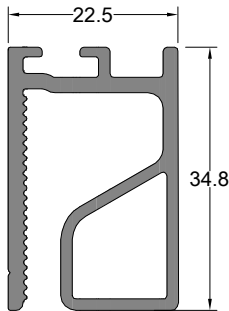
Bağlantı Profili CONNECTION PROFILE	Profil Kodu Profile Code	(kg/mt) Weight	Jx cm <sup>4</sup>	Jy cm <sup>4</sup>
	9975	0,232	-	-



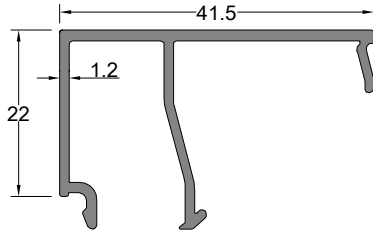
Düşey Baskı Çıta Adaptörü VERTICAL ADAPTER	Profil Kodu Profile Code	(kg/mt) Weight	Jx cm <sup>4</sup>	Jy cm <sup>4</sup>
	9977	2,368	-	-



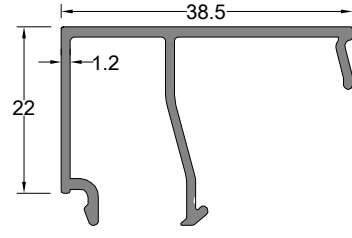
Tij Profili STEM BAR PROFILE	Profil Kodu Profile Code	(kg/mt) Weight	Jx cm <sup>4</sup>	Jy cm <sup>4</sup>
	9978	0,111	-	-



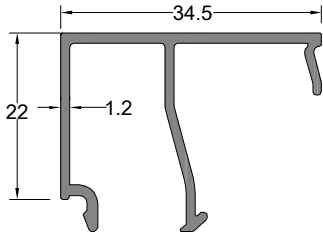
Cam Altı Conta Adaptörü UNDER GLAZING ADAPTER	Profil Kodu Profile Code	(kg/mt) Weight	Jx cm <sup>4</sup>	Jy cm <sup>4</sup>
	11885	0,663	-	-



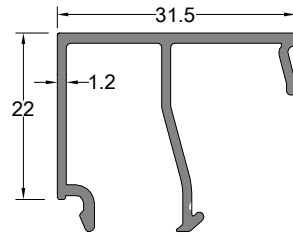
Çıta Profili BEAD PROFILE	Profil Kodu Profile Code	(kg/mt) Weight
	3537	0,367



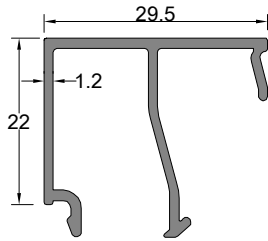
Çıta Profili BEAD PROFILE	Profil Kodu Profile Code	(kg/mt) Weight
	1749	0,356



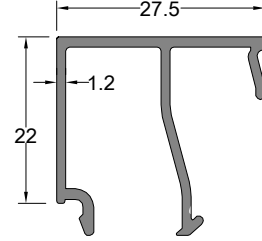
Çıta Profili BEAD PROFILE	Profil Kodu Profile Code	(kg/mt) Weight
	1747	0,340



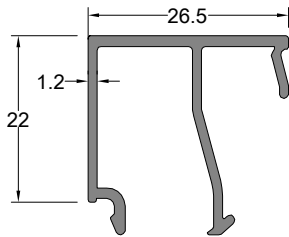
Çıta Profili BEAD PROFILE	Profil Kodu Profile Code	(kg/mt) Weight
	3536	0,329



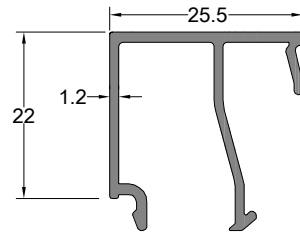
Çıta Profili BEAD PROFILE	Profil Kodu Profile Code	(kg/mt) Weight
	3636	0,321



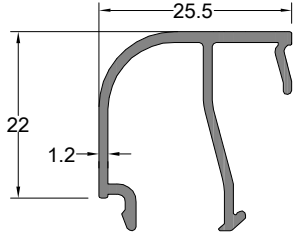
Çıta Profili BEAD PROFILE	Profil Kodu Profile Code	(kg/mt) Weight
	1966	0,314



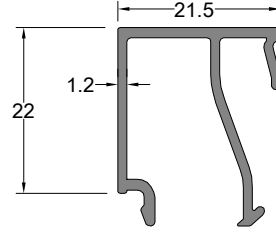
Çıta Profili BEAD PROFILE	Profil Kodu Profile Code	(kg/mt) Weight
	2236	0,310



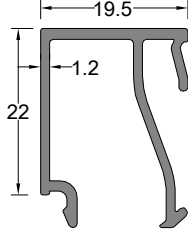
Çıta Profili BEAD PROFILE	Profil Kodu Profile Code	(kg/mt) Weight
	1949	0,306



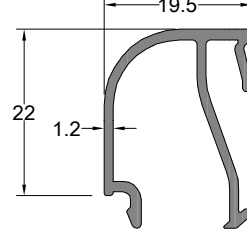
Çıta Profili	Profil Kodu	(kg/mt)
BEAD PROFILE	Profile Code	Weight
	5527	0,293



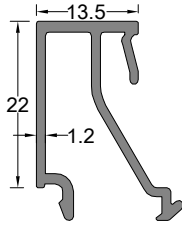
Çıta Profili	Profil Kodu	(kg/mt)
BEAD PROFILE	Profile Code	Weight
	1745	0,292



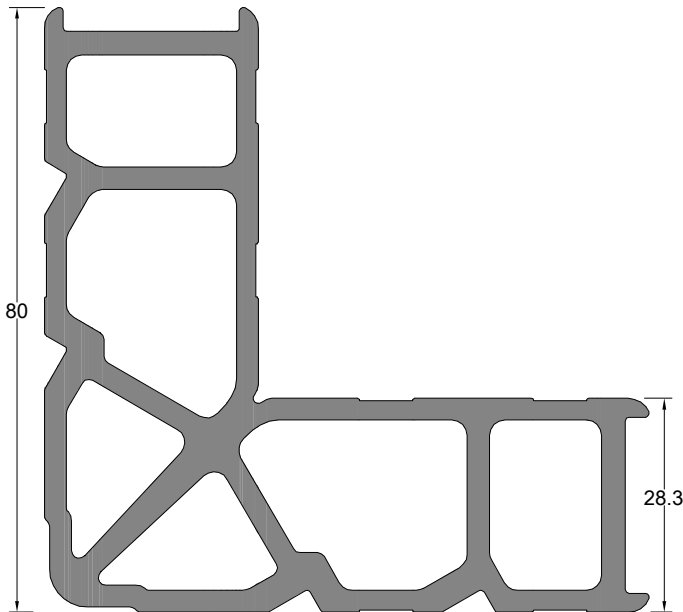
Çıta Profili	Profil Kodu	(kg/mt)
BEAD PROFILE	Profile Code	Weight
	1699	0,285



Çıta Profili	Profil Kodu	(kg/mt)
BEAD PROFILE	Profile Code	Weight
	5546	0,271



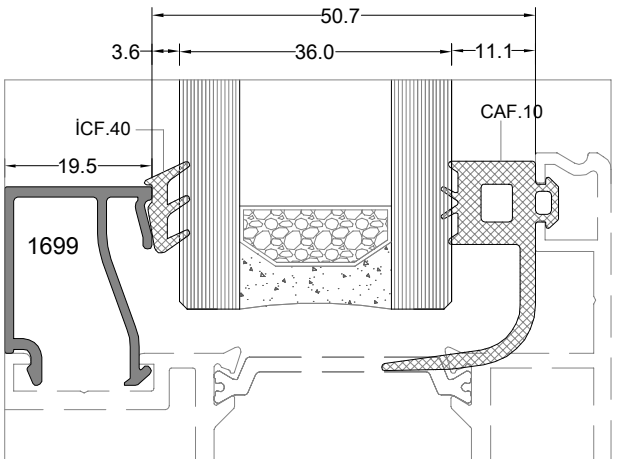
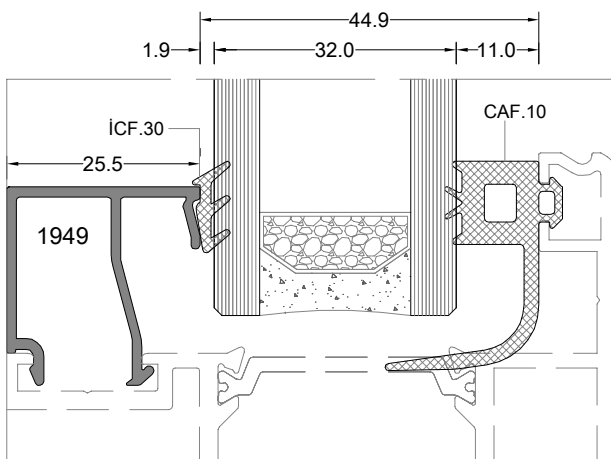
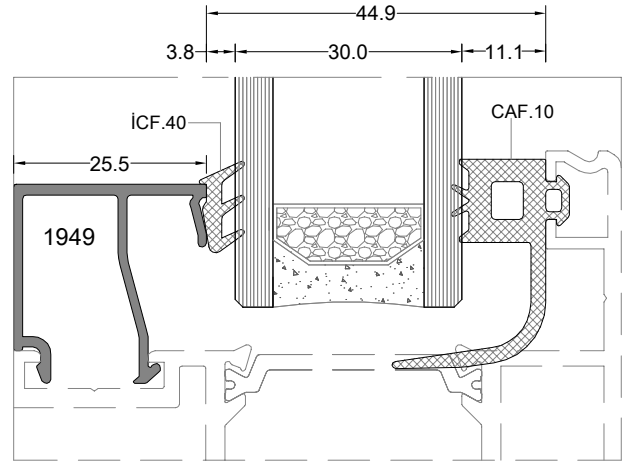
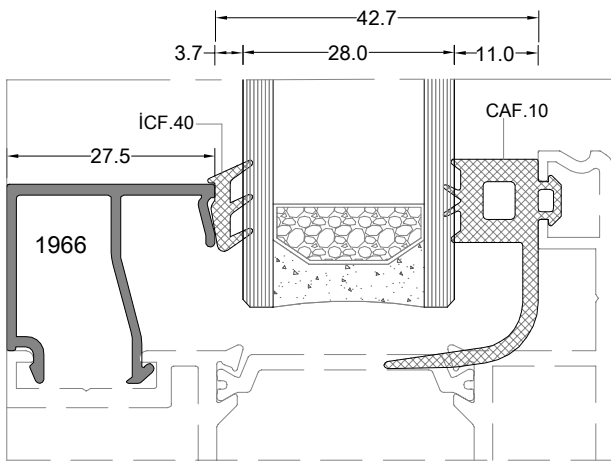
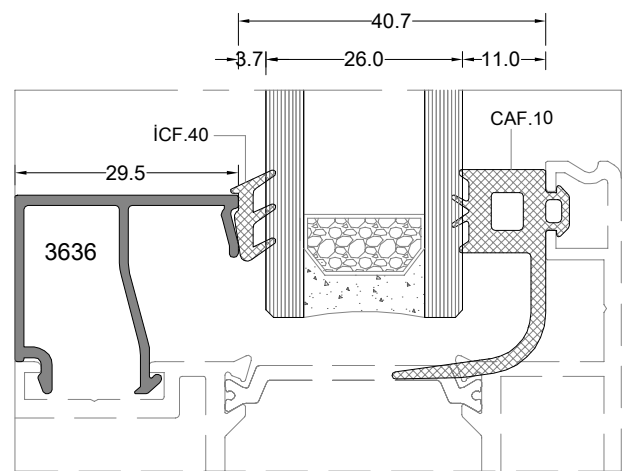
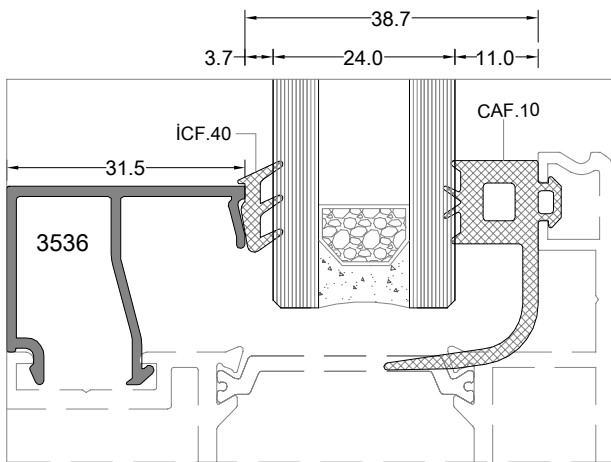
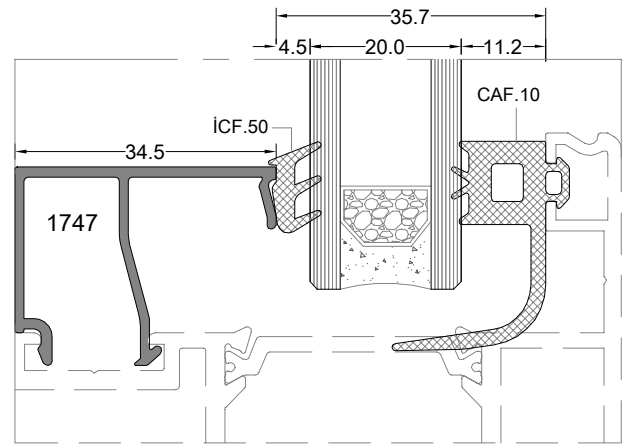
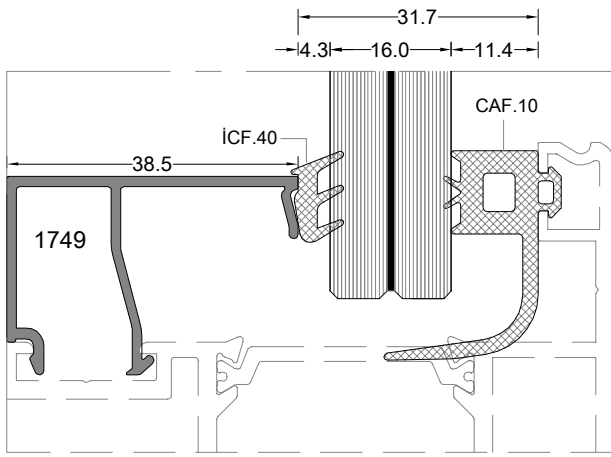
Çıta Profili	Profil Kodu	(kg/mt)
BEAD PROFILE	Profile Code	Weight
	1698	0,270

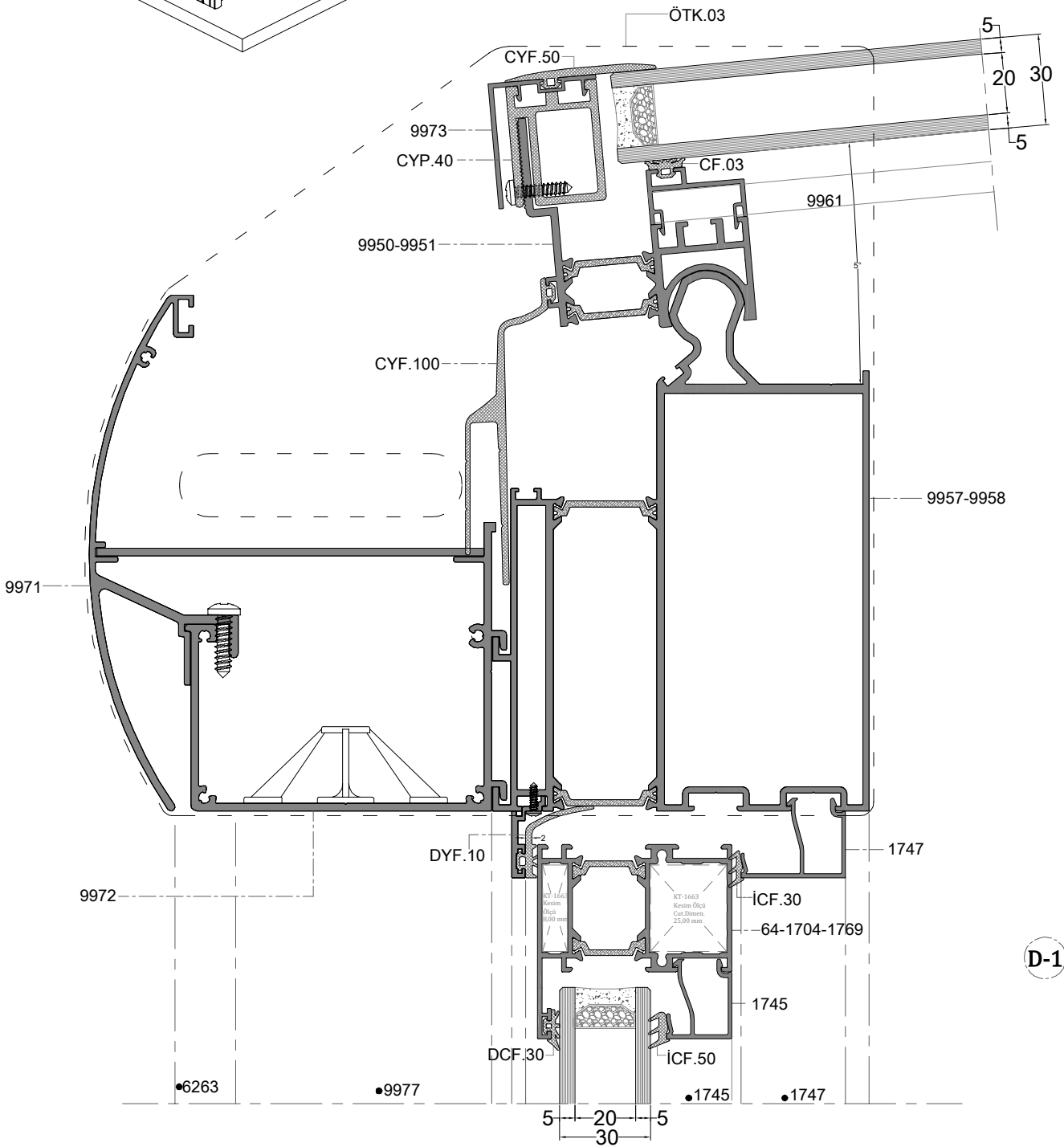
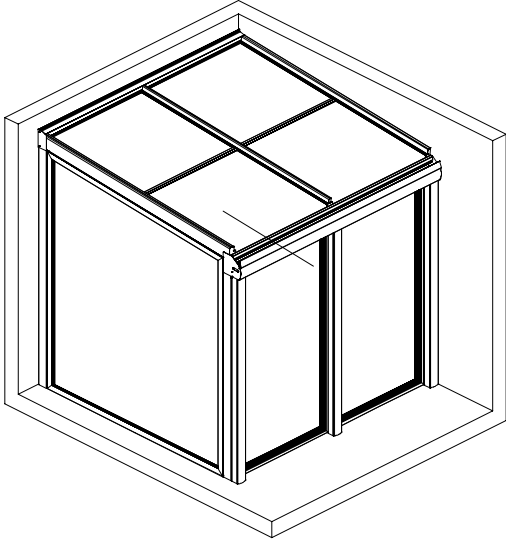


Köşe Takoz Profili	Profil Kodu	(kg/mt)
CORNER WEDGE PROFILE	Profile Code	Weight
	1663	2,751

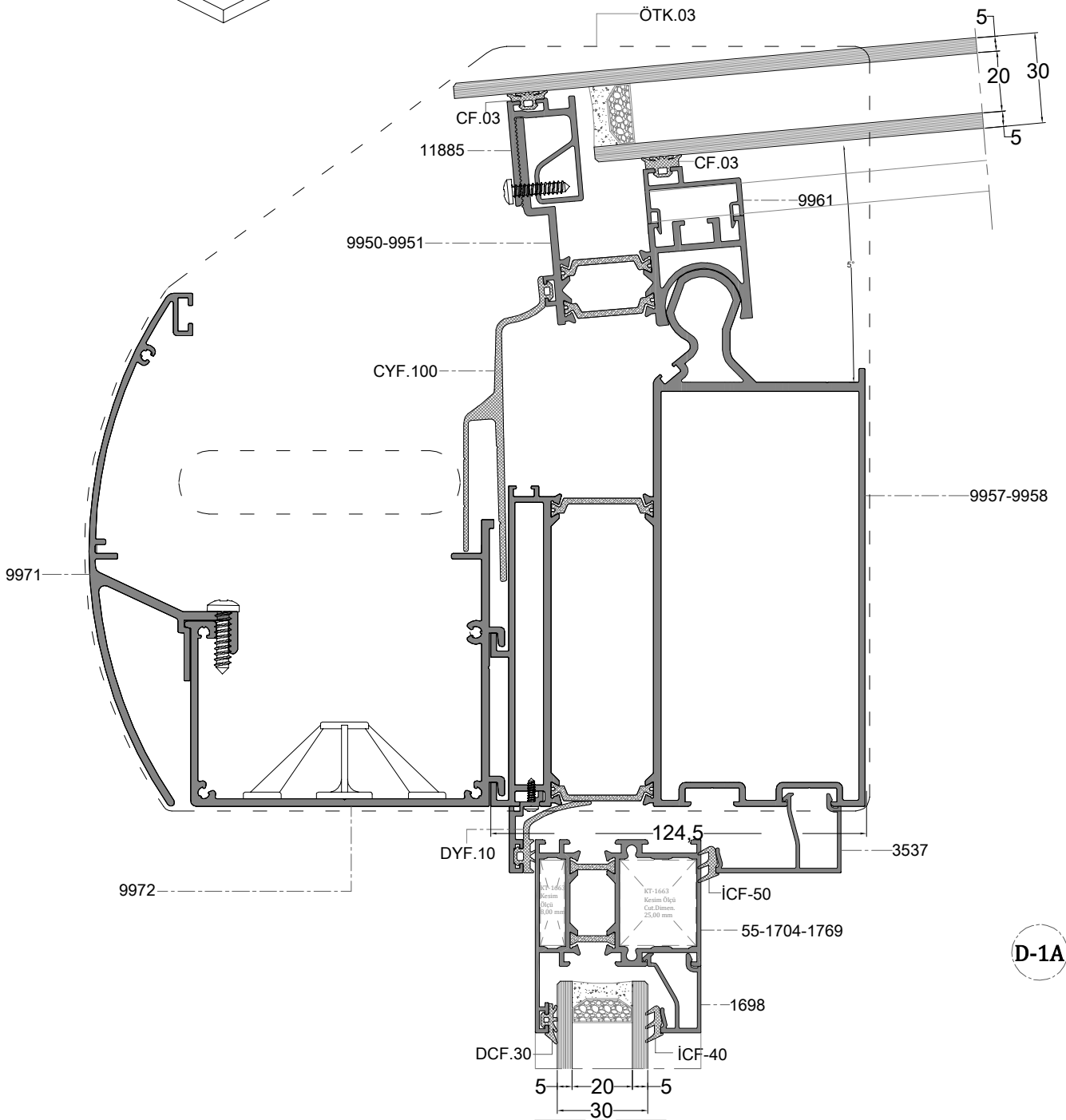
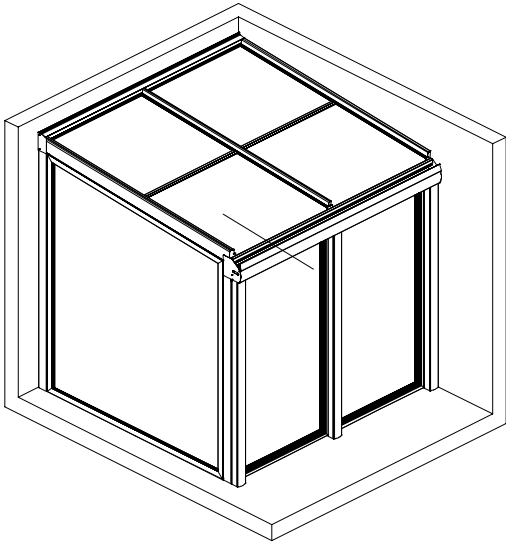
\*\* Her profil için minimum sipariş 300 kg'dır.  
\*\* Minimum order quantity is 300 kg per profile.







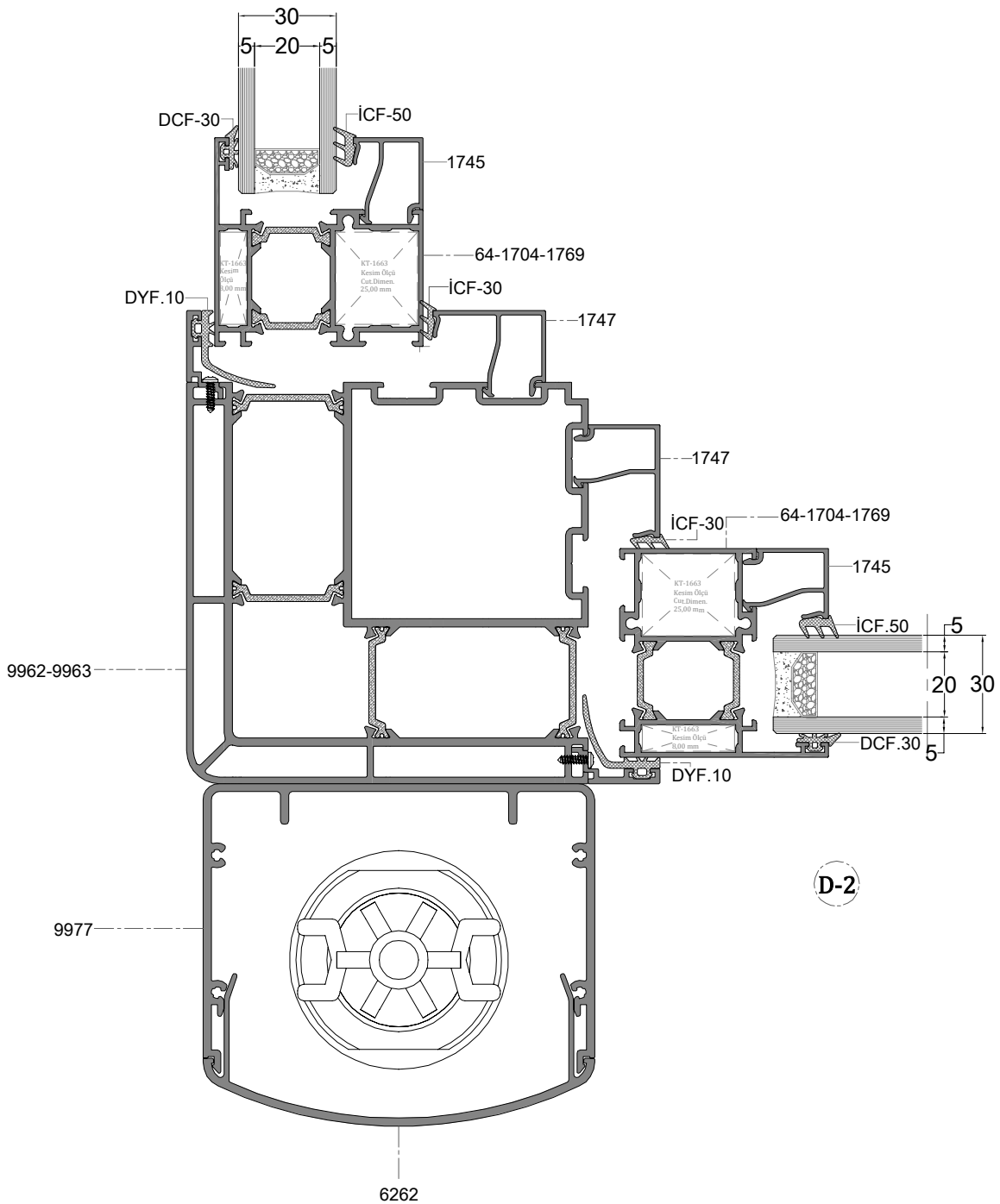
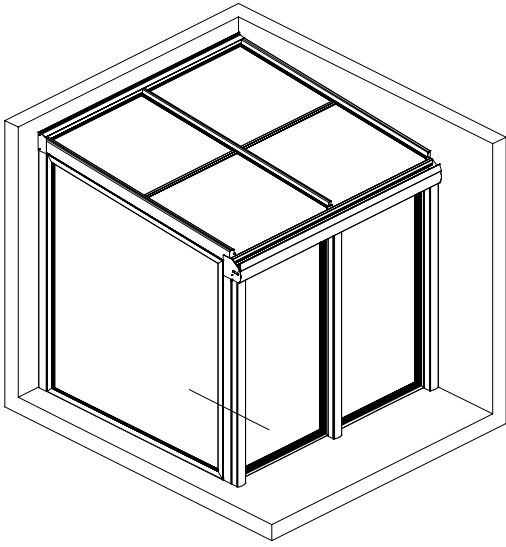
\*\* Her profil için minimum sipariş 300 kg'dır.  
\*\* Minimum order quantity is 300 kg per profile.



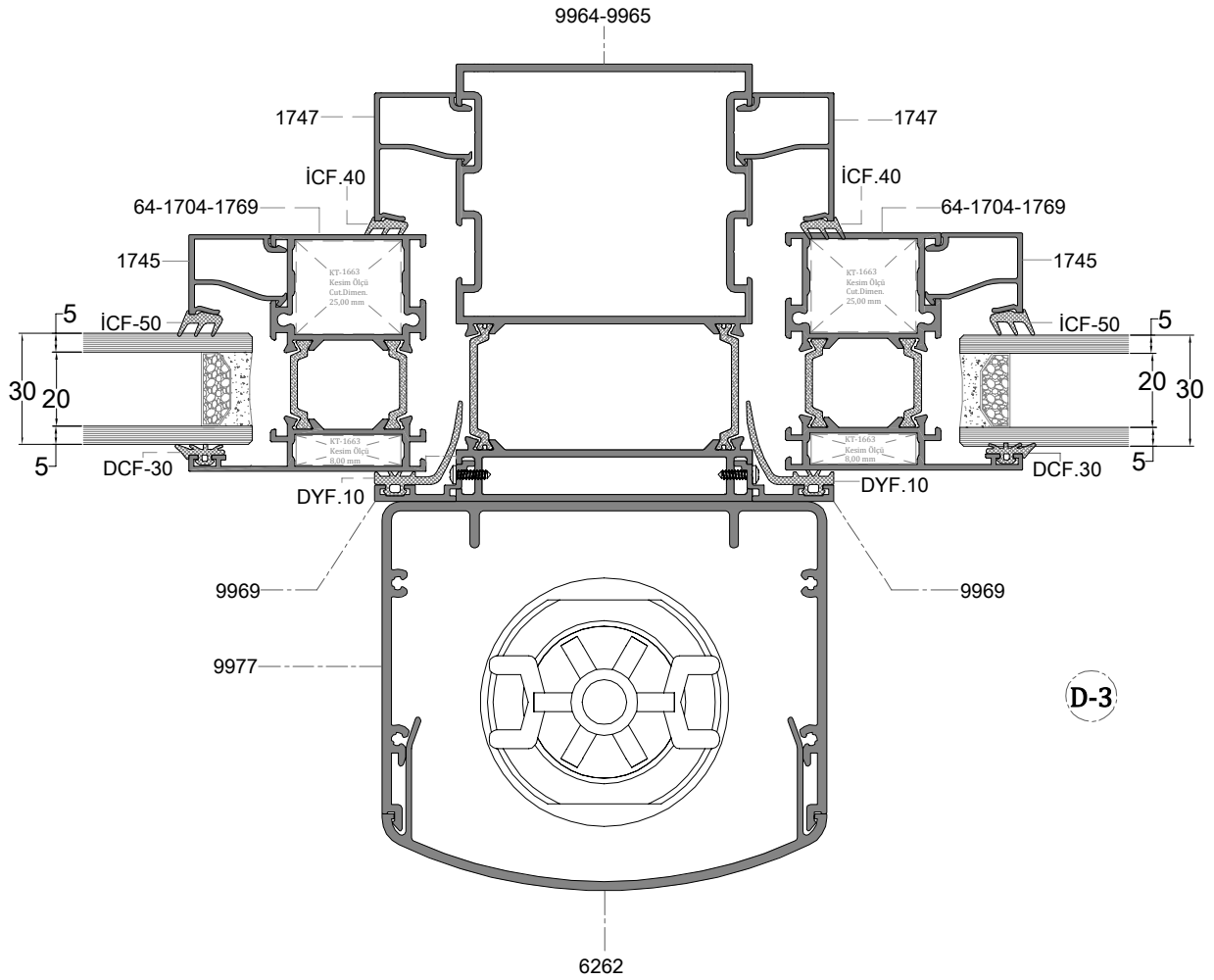
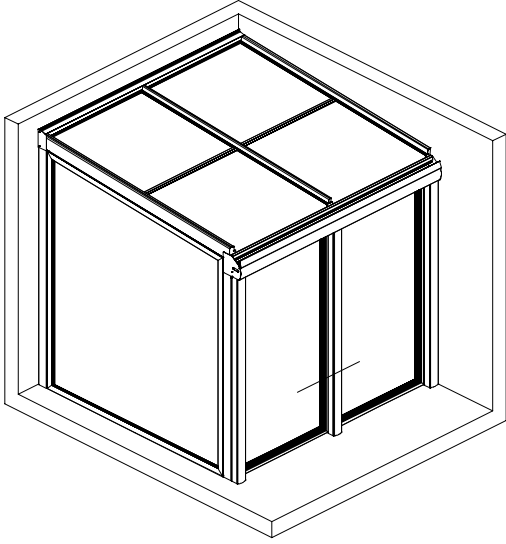
**D-1A**

\*\* Her profil için minimum sipariş 300 kg'dır.  
\*\* Minimum order quantity is 300 kg per profile.

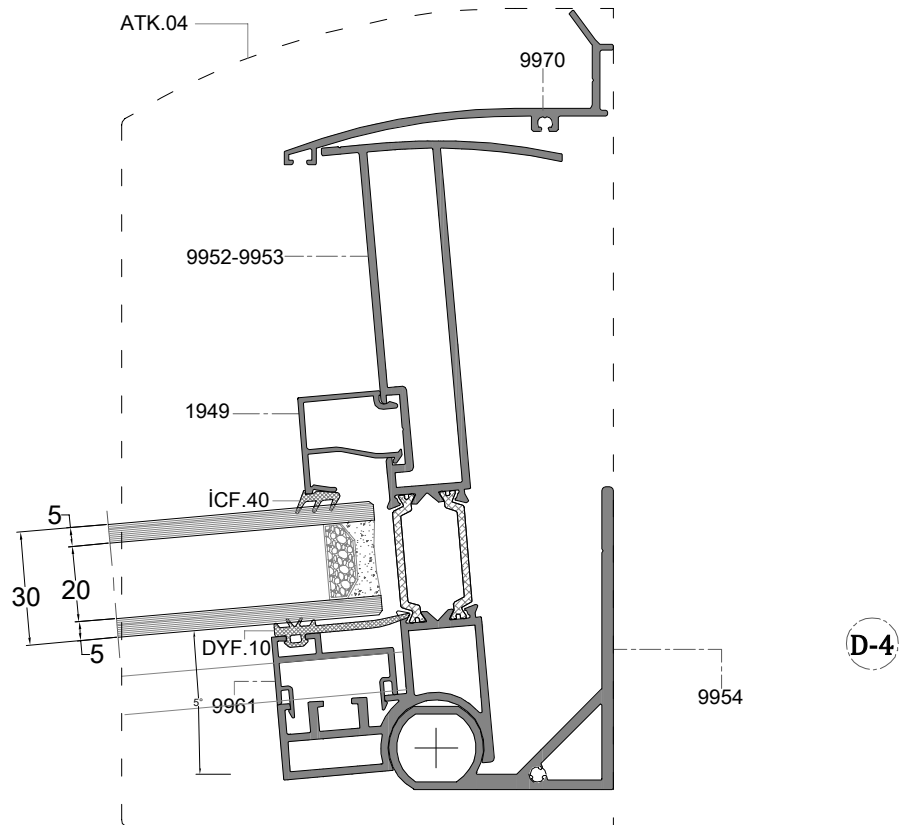
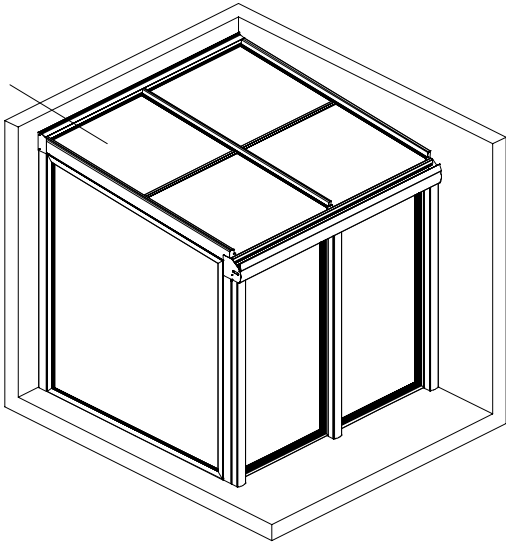




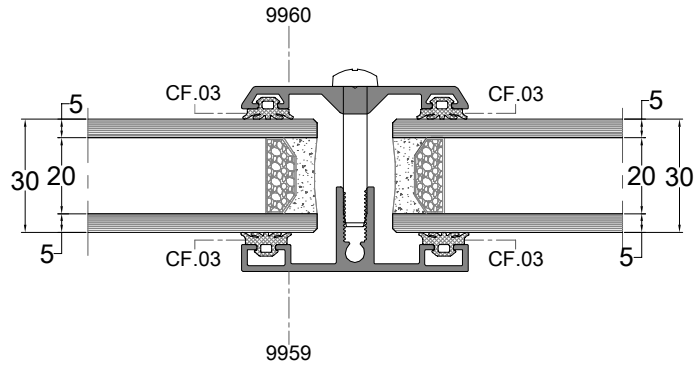
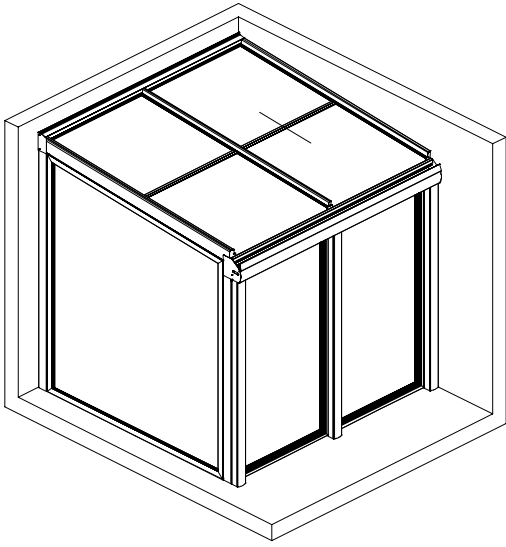
\*\* Her profil için minimum sipariş 300 kg'dır.  
\*\* Minimum order quantity is 300 kg per profile.



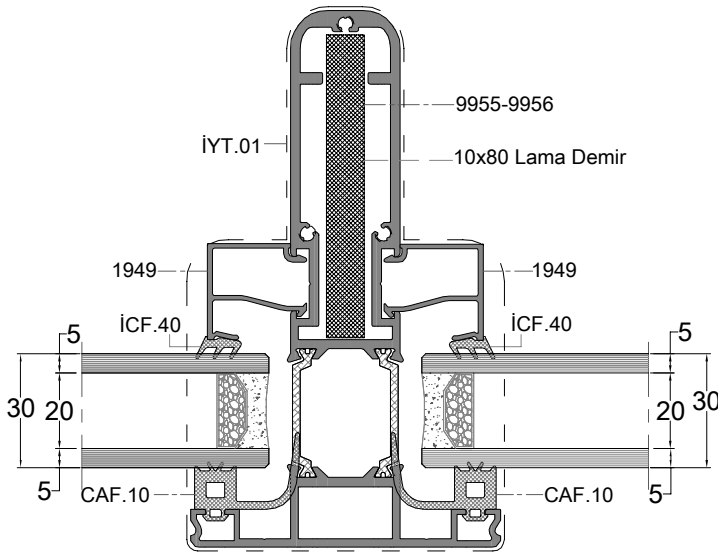
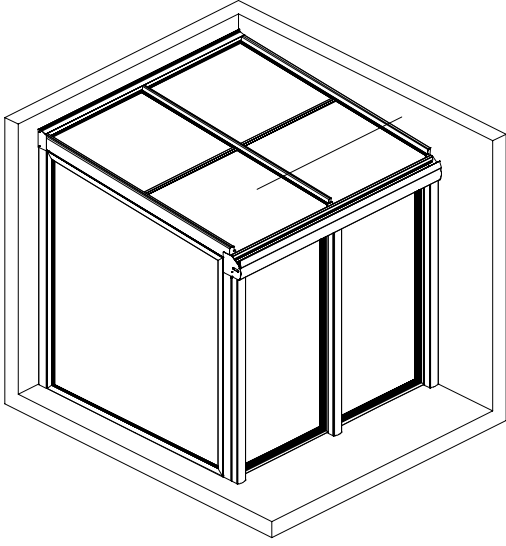
\*\* Her profil için minimum sipariş 300 kg'dır.  
\*\* Minimum order quantity is 300 kg per profile.



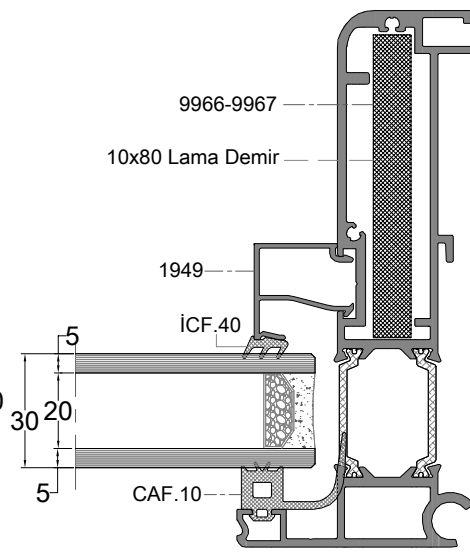




D-7



**D-8**



**D-9**

\*\* Her profil için minimum sipariş 300 kg'dır.  
\*\* Minimum order quantity is 300 kg per profile.

