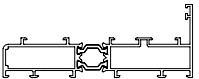
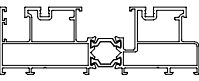
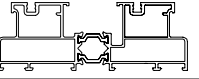
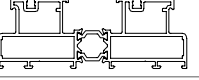
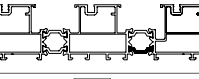
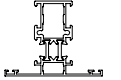
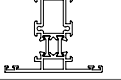
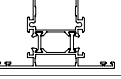
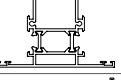
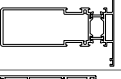
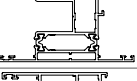
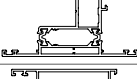
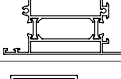

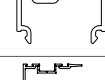








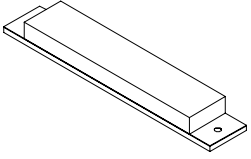
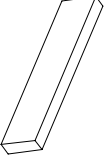
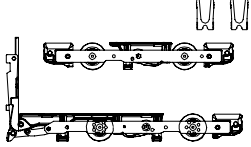
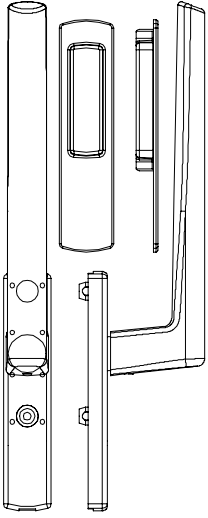
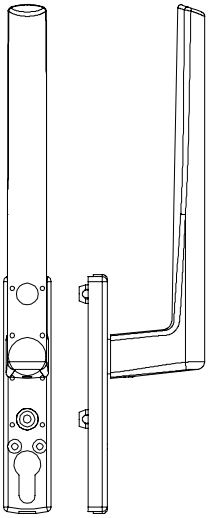
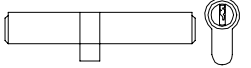
HS 55 THERMO
KALDIR - SÜRÜŞ SİSTEMİ
(Lift & Slide System)

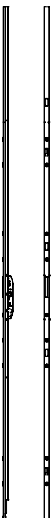
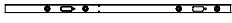
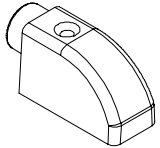
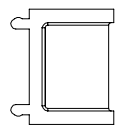
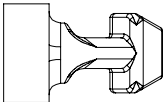
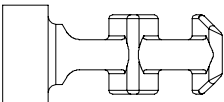
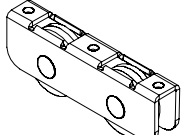
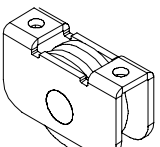
TAM ÖLÇEKLİ ALÜMİNYUM PROFİLLER
(Full Scale Aluminum Profiles)

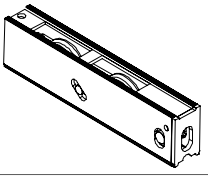
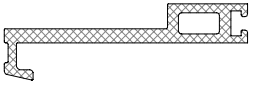
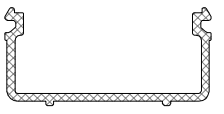
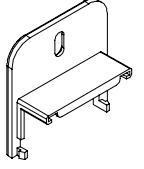
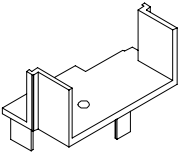
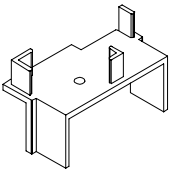
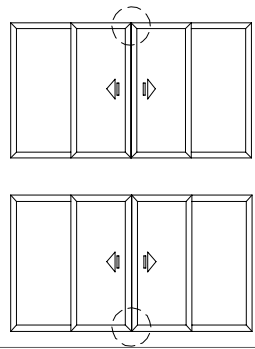
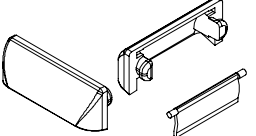
PROF L KES T PROFILE SECTION	PROF L KODU PROFILE CODE	PROF L ADI PROFILE NAME	Jx cm ⁴	Jy cm ⁴	A IRLIK (kg/m) WEIGHT
	6004-6005	SAB T KASA PROF L SINGLE FRAME PROFILE	7,13 cm ⁴	104,77 cm ⁴	1,890 kg/mt
	12052-6001	K RAYLI KASA PROF L DOUBLE RAIL FRAME PROFILE	20,88 cm ⁴	164,20 cm ⁴	2,776 kg/mt
	6000-6001	K RAYLI KASA PROF L DOUBLE RAIL FRAME PROFILE	21,81 cm ⁴	132,75 cm ⁴	2,598 kg/mt
	6002-6003	K RAYLI KASA PROF L DOUBLE RAIL FRAME PROFILE	27,01 cm ⁴	159,72 cm ⁴	3,044 kg/mt
	6000-6024-6001	ÜÇ RAYLI S NEKL KL KASA PROF L TRIPLE RAIL SWATTER FRAME PROFILE	33,72 cm ⁴	526,40 cm ⁴	4,046 kg/mt
	55-1700-1716	ORTA KAYIT PROF L MULLION PROFILE	23,91 cm ⁴	9,71 cm ⁴	1,377 kg/mt
	55-1702-1761	ORTA KAYIT PROF L MULLION PROFILE	19,14 cm ⁴	10,52 cm ⁴	1,560 kg/mt
	55-1704-1717	ORTA KAYIT PROF L MULLION PROFILE	20,11 cm ⁴	21,06 cm ⁴	1,615 kg/mt
	55-1706-1718	ORTA KAYIT PROF L MULLION PROFILE	20,11 cm ⁴	23,14 cm ⁴	1,877 kg/mt
	55-1718-8007	TAKV YEL ORTA KAYIT PROF L REINFORCED MULLION PROFILE	191,35 cm ⁴	33,88 cm ⁴	2,786 kg/mt
	6008-6009	KANAT PROF L SASH PROFILE	31,17 cm ⁴	40,04 cm ⁴	2,033 kg/mt
	6010-6011	KANAT PROF L SASH PROFILE	34,53 cm ⁴	42,02 cm ⁴	2,203 kg/mt
	6012-6013	ETEK PROF L BOTTOM PROFILE	52,78 cm ⁴	29,56 cm ⁴	2,127 kg/mt
	6014-6015	ADAPTÖR PROF L ADAPTER PROFILE	-	-	0,866 kg/mt
	6006	RAY ÇITA PROF L RAIL BEAD PROFILE	-	-	0,510 kg/mt
	11524	KAPAK PROF L COVER PROFILE	-	-	0,681 kg/mt
	6020	ÇITA PROF L BEAD PROFILE	-	-	0,461 kg/mt
	6022	KAPAK PROF L COVER PROFILE	-	-	0,688 kg/mt
	6021	KAPAK PROF L COVER PROFILE	-	-	0,576 kg/mt
	4112	KAPAK PROF L COVER PROFILE	-	-	0,076 kg/mt
	6017	S NEKL K PROF L SWATTER PROFILE	-	-	0,327 kg/mt

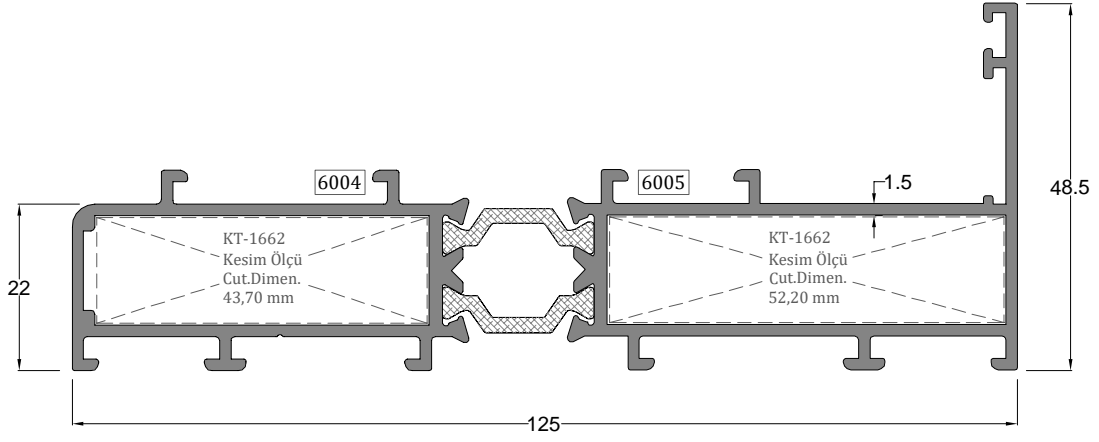
PROF L KES T PROFILE SECTION	PROF L KODU PROFILE CODE	PROF L ADI PROFILE NAME	Jx cm ⁴	Jy cm ⁴	A IRLIK (kg/m) WEIGHT
	6019	DAMLALIK PROF L DROPPER PROFILE	-	-	0,148 kg/mt
	3537	CAM ÇITASI (41,5 mm) GLAZING BEAD	-	-	0.367 kg/mt
	1749	CAM ÇITASI (38,5mm) GLAZING BEAD	-	-	0.356 kg/mt
	1747	CAM ÇITASI (34,5 mm) GLAZING BEAD	-	-	0.340 kg/mt
	1750	CAM ÇITASI (38,5mm) GLAZING BEAD	-	-	0.342 kg/mt
	1748	CAM ÇITASI (34,5 mm) GLAZING BEAD	-	-	0.327 kg/mt
	3536	CAM ÇITASI (31,5 mm) GLAZING BEAD	-	-	0.329 kg/mt
	3636	CAM ÇITASI (29,5mm) GLAZING BEAD	-	-	0.321 kg/mt
	1966	CAM ÇITASI (27,5 mm) GLAZING BEAD	-	-	0.314 kg/mt
	2236	CAM ÇITASI (26,5 mm) GLAZING BEAD	-	-	0.310 kg/mt
	5527	CAM ÇITASI (25,5 mm) GLAZING BEAD	-	-	0.293 kg/mt
	1949	CAM ÇITASI (25,5 mm) GLAZING BEAD	-	-	0.306 kg/mt
	1745	CAM ÇITASI (21,5 mm) GLAZING BEAD	-	-	0.292 kg/mt
	1746	CAM ÇITASI (21,5 mm) GLAZING BEAD	-	-	0.279 kg/mt
	5546	CAM ÇITASI (19,5 mm) GLAZING BEAD	-	-	0.271 kg/mt
	1699	CAM ÇITASI (19,5 mm) GLAZING BEAD	-	-	0.285 kg/mt
	3539	CAM ÇITASI (17 mm) GLAZING BEAD	-	-	0.277 kg/mt
	1698	CAM ÇITASI (13,5 mm) GLAZING BEAD	-	-	0.270 kg/mt
	1948	CAM ÇITASI (7,5 mm) GLAZING BEAD	-	-	0.235 kg/mt
	1662	KÖ E TAKOZ PROF L CORNER WEDGE PROFILE	-	-	2.576 kg/mt
	1663	KÖ E TAKOZ PROF L CORNER WEDGE PROFILE	-	-	3.526 kg/mt

AKSESUAR ACCESSORY	STOK KODU REFERENCE CODE	AKSESUAR ADI DESCRIPTION	AKSESUAR KODU PRODUCT CODE	PAKET PACK
	03 010503	DI CAM F T L OUTER GLAZING GASKET	HS55T-DCF.30	215 mt / paket 10 kg
	03 011230	Ç CAM F T L INNER GLAZING GASKET	HS55T- CF.30	280 mt / paket 10 kg
	03 011231	Ç CAM F T L INNER GLAZING GASKET	HS55T- CF.40	220 mt / paket 10 kg
	03 010732	Ç CAM F T L INNER GLAZING GASKET	HS55T- CF.50	185 mt / paket 10 kg
	03 010620	KULAK B N F T L OVERLAPPING GASKET	HS55T-KBF.50	220 mt / paket 10 kg
	03 010612	KASA RAPT YE F T L FRAME RALL GASKET	HS55T-KRF.10	320 mt / paket 10 kg
	03 015554	KENET YALITIM F T L INTERLOCKING INSULATION GASKET	HS55T-KYF.02	210 mt / paket 10 kg
	03 050711	FIRÇA F T L (68-800) WEATHER STRIP	HS55T-FÇ.711	250 mt / paket 10 kg
	03 050712	FIRÇA F T L (68-1000) WEATHER STRIP	HS55T-FÇ.712	200 mt / paket 10 kg
	01 300104	HS 55 PASLANMAZ KÖ E ÇAVUSU HS 55 STAINLESS CORNER WEDGE	HS55T-KÇ.104	100 ad. / paket
	04 010111	TAHL YE TAPASI (PLAST K) PLASTIC DISCHARGING PLUG	HS55T-STT.11	1000 ad. / paket
	04 010220	HS 55 PASLANMAZ ÇEL K SÜRME RAY STAINLESS STEEL SLIDING RAIL	HS55T-PÇR.20	6 mt. / 1 Boy
	01 300106	HS 55 STOPER HS 55 STOPPER	HS55T-STP.106	100 ad. / paket
	01 300107	HS 55 SEV YE AYARLAMA PARÇASI SPACER LEVEL ADJUSTING TOOL SPACER	HS55T-SPC.107	100 ad. / paket
	01 300109	KANAT SAB TLEME TAKOZU SASH FIXING WEDGE	HS55T-KST.09	

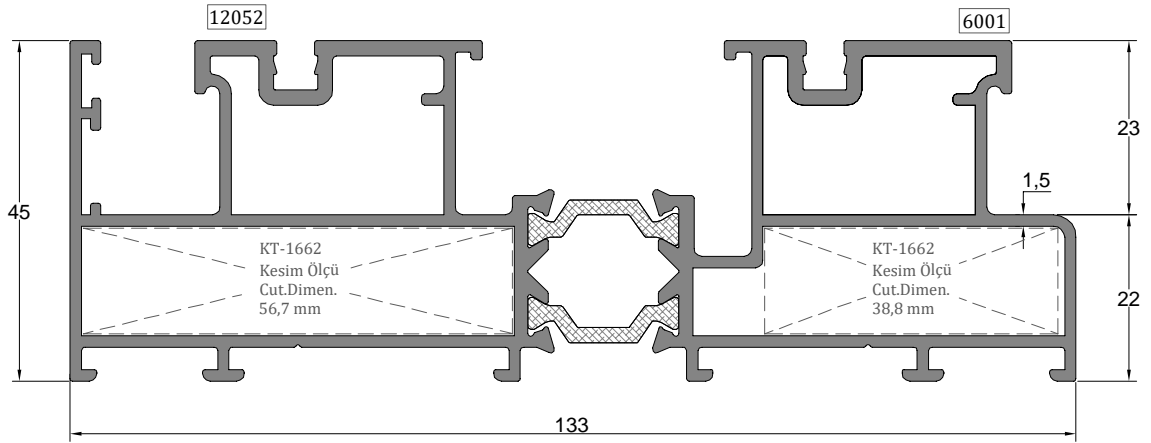
AKSESUAR ACCESSORY	STOK KODU REFERENCE CODE	AKSESUAR ADI DESCRIPTION	AKSESUAR KODU PRODUCT CODE	PAKET PACK
	01 300103	HS 55 SIZDIRMAZLIK ÜST SÜNGER SEALING SPONGE TOP	HS55T-ÜSS.03	10 ad. / paket
	01 300108	HS 55 SIZDIRMAZLIK ALT SÜNGER SEALING SPONGE BOTTOM	HS55T-ASS.08	10 ad. / paket
	01 300250	HS 300 ARABA TAKIMI HS 300 ROLLER SET	HS55T-KSS.00	1 ad. / paket
	01 300246	HS KOL (BAREL DEL KS Z) BEYAZ HS HANDLE (BULT IN CYLINDER) WHITE	HS55T-HK.246	1 ad. / paket
	01 300259	HS KOL (BAREL DEL KS Z) S YAH HS HANDLE (BULT IN CYLINDER) BLACK	HS55T-HK.259	1 ad. / paket
	01 300248	HS KOL (BAREL DEL KS Z) GÜMÜ HS HANDLE (BULT IN CYLINDER) SILVER	HS55T-HK.248	1 ad. / paket
	01 300253	HS KOL BAREL DEL KL (Ç-DI) HS HANDLE (VITH CYLINDER)	HS55T-HK.253	
	06 130261	HS 55 BAREL (30x10x65 mm) HS 55 CYLINDER	HS55T-GB.261	1 ad. / paket

AKSESUAR ACCESSORY	STOK KODU REFERENCE CODE	AKSESUAR ADI DESCRIPTION	AKSESUAR KODU PRODUCT CODE	PAKET PACK
	01 300271	D KEY SPANYOLET 1700 ESPAGNOLETTE EXTENSION	HS55T- SP.271	
	01 300254	D KEY SPANYOLET 2200 ESPAGNOLETTE EXTENSION	HS55T- SP.254	
	06 1300273	D KEY SPANYOLET 2600 ESPAGNOLETTE EXTENSION	HS55T- SP.191	
	01 300268	SPANYOLET UZATMA ESPAGNOLETTE EXTENSION	HS55T-UZ.268	
	01 300105	HS 55 STOPER SIEGENIA AUBI HS55 STOPER SIEGENIA AUBI	HS55T-SSA.05	1 ad. / paket
	01 300258	SPANYOLET BESLEME 20mm ESPAGNOLETTE ELEVATOR	HS55T-BES.258	
	01 300256	SPANYOLET KAR ILIK 4mm ÜST TOP LOCK STRIKER	HS55T-ÜKK.256	
	01 300257	SPANYOLET KAR ILIK 4mm ALT BOTTOM LOCK STRIKER	HS55T-AKK.257	
	01 300151	ÇFTL NORMAL SÜRME RULMAN SINGLE ROLLER	HS55T-ÇR.151	1 ad. / paket
	01 300150	TEKL NORMAL SÜRME RULMAN SINGLE ROLLER	HS55T-TK.150	1 ad. / paket

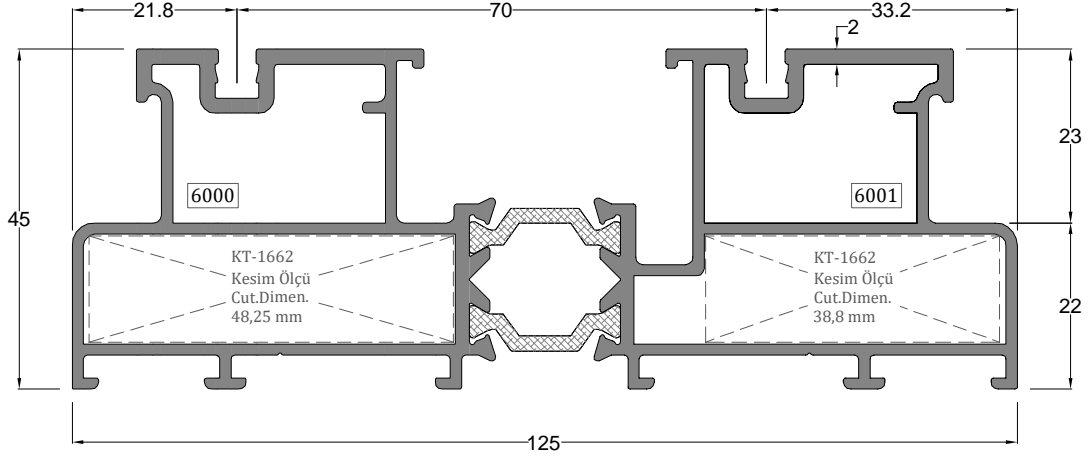
AKSESUAR ACCESSORY	STOK KODU REFERENCE CODE	AKSESUAR ADI DESCRIPTION	AKSESUAR KODU PRODUCT CODE	PAKET PACK
	01 300152	HS 55 ALÜM NYUM AYARLI ÇFTL RULMAN HS55 ROLLER	HS55T-ALR.152	3 mt. / 1 Boy
	01 300120	KENET YALITIM PLAST INTERLOCKING INSULATION PART	HS55T-KYP.01	3 mt. / 1 Boy
	01 300101	KASA OLUK PLAST FRAME GUTTER PART	HS55T-KOP.10	3 mt. / 1 Boy
	01 300102	PVC KENET ALT VE ÜST KAPA I INTERLOCKING BOTTOM AND TOP CAP	HS55T-KKT.02	4 ad. / paket
 	01 300111	ADAPTÖR PLAST ÜST ADAPTER PLASTIC TOP ADAPTÖR PLAST ALT ADAPTER PLASTIC TOP	HS55T-ADK.10	
	04 010112	SU TAHLIYE KAPA I WATER DRAINAGE SLOT COVER	HS55T-TK.112	



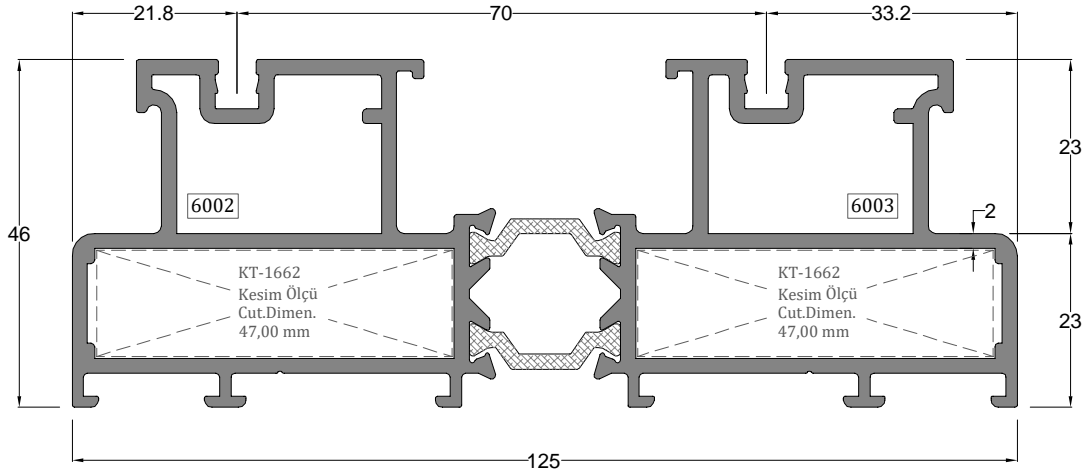
Sabit Kasa Profili SINGLE FRAME PROFILE	Profil Kodu	(kg/mt)	Jx cm ⁴	Jy cm ⁴
	Profile Code	Weight		
	6004-6005	1,845	7,13	104,77



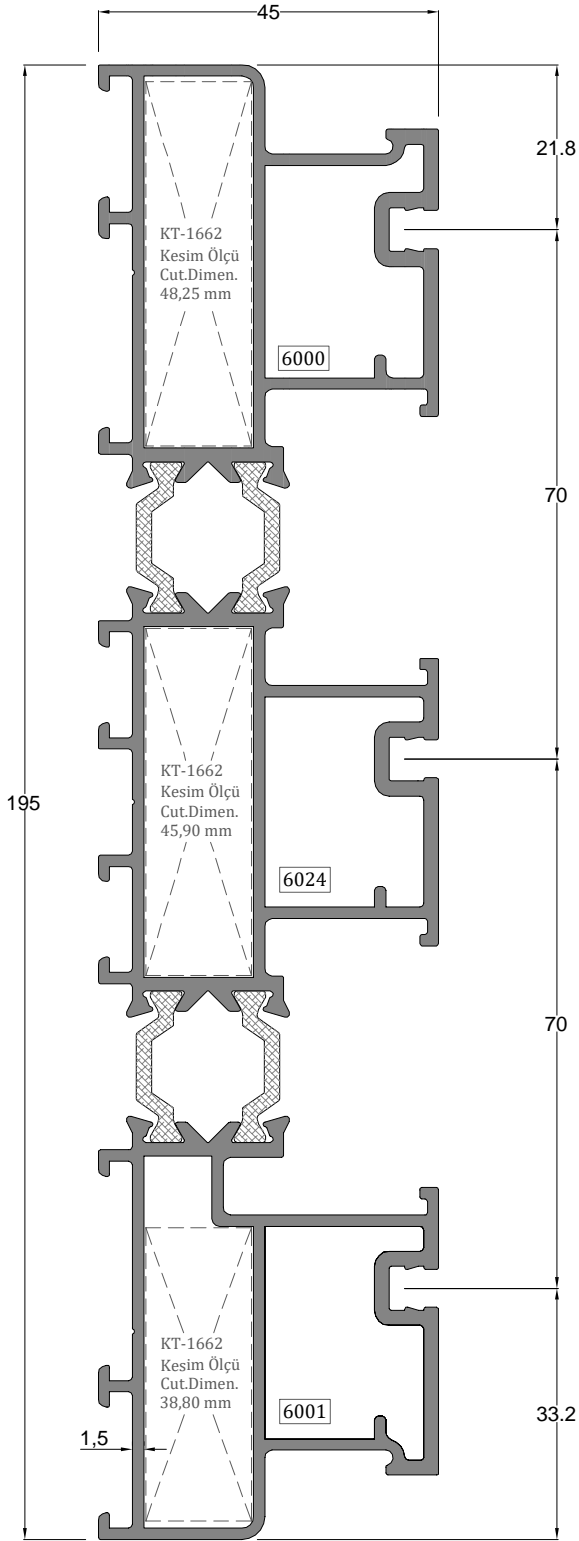
ki Raylı Kasa Profili DOUBLE RAIL FRAME PROFILE	Profil Kodu	(kg/mt)	Jx cm ⁴	Jy cm ⁴
	Profile Code	Weight		
	12052-6001	2,776	20,88	164,20



ki Raylı Kasa Profili DOUBLE RAIL RAME PROFILE	Profil Kodu Profile Code	(kg/mt) Weight	Jx cm ⁴	Jy cm ⁴
	6000-6001	2,598	21,81	132,75



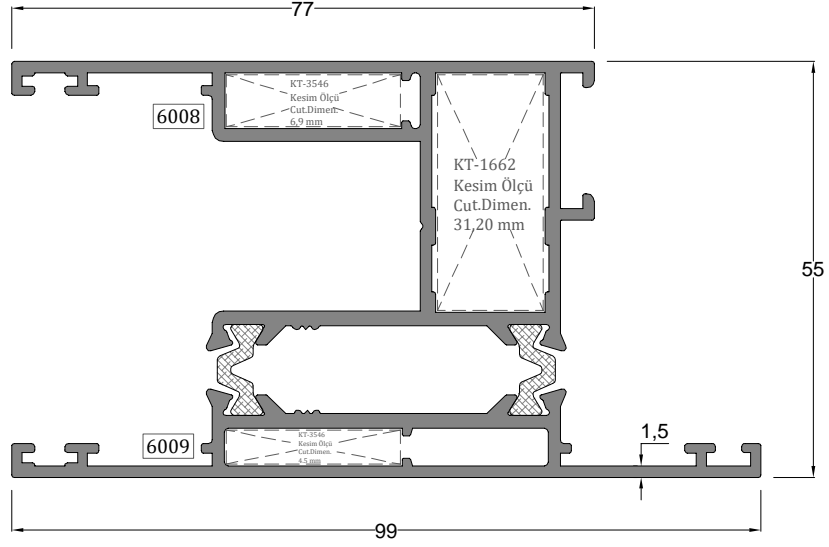
ki Raylı Kasa Profili DOUBLE RAIL RAME PROFILE	Profil Kodu Profile Code	(kg/mt) Weight	Jx cm ⁴	Jy cm ⁴
	6002-6003	3,044	27,01	159,79



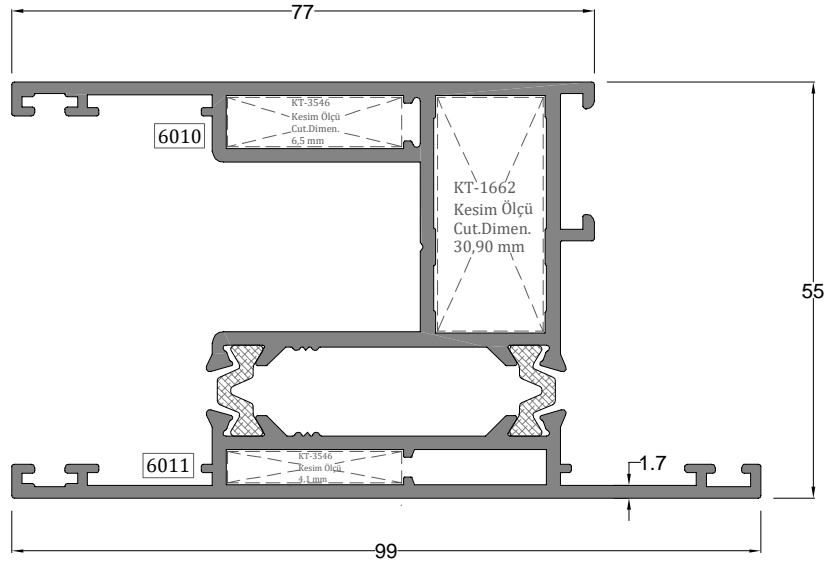
Üç Raylı Sineklikli
Raylı Kasa Profili
TRIPLE RAIL SWATTER
FRAME PROFILE

Profil Kodu Profile Code	(kg/mt) Weight	Jx cm ⁴	Jy cm ⁴
6000-6024-6001	4,030	33,72	526,40

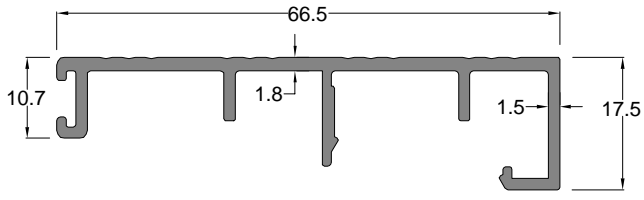
** Her profil için minimum sipari 300 kg'dır.
** Minimum order quantity is 300 kg per profile.



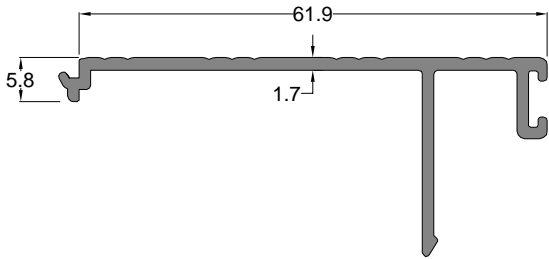
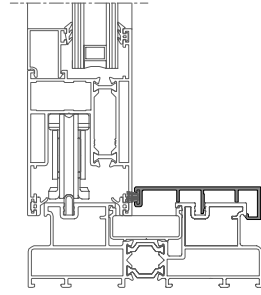
Kanat Profili SASH PROFILE	Profil Kodu Profile Code	(kg/mt) Weight	Jx cm ⁴	Jy cm ⁴
	6008-6009	2,085	38,18	31,30



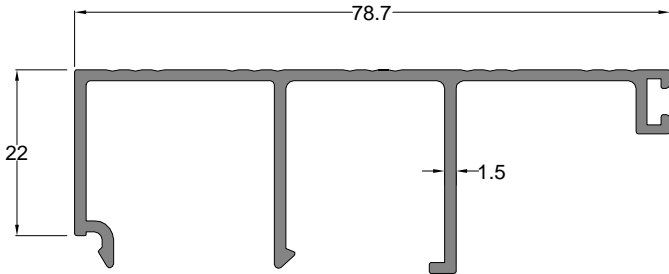
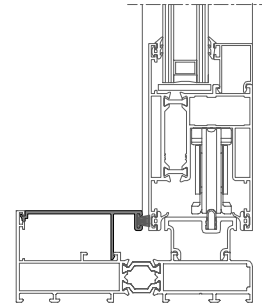
Kanat Profili SASH PROFILE	Profil Kodu Profile Code	(kg/mt) Weight	Jx cm ⁴	Jy cm ⁴
	6010-6011	2,222	39,92	34,10



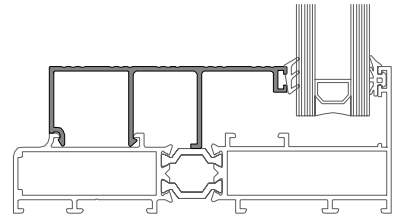
Kapak Profili COVER PROFILE	Profil Kodu Profile Code	(kg/mt) Weight
	6021	0,570

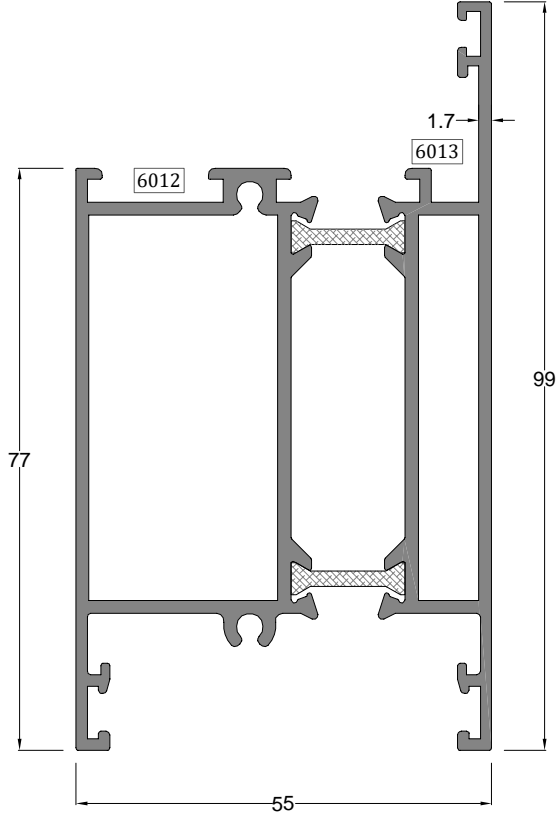


Çıta Profili BEAD PROFILE	Profil Kodu Profile Code	(kg/mt) Weight
	6020	0,461

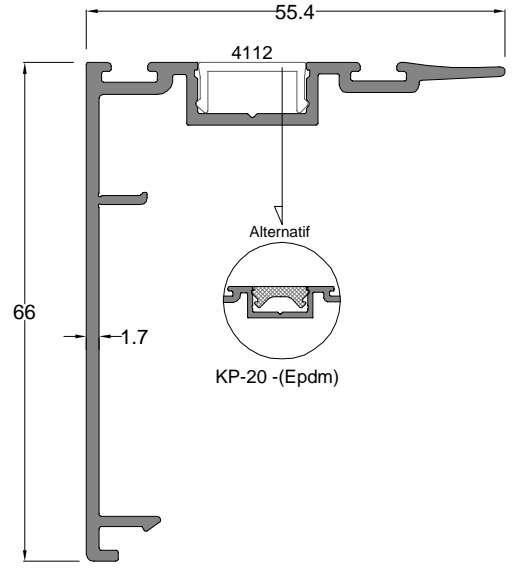


Kapak Profili COVER PROFILE	Profil Kodu Profile Code	(kg/mt) Weight
	6022	0,688

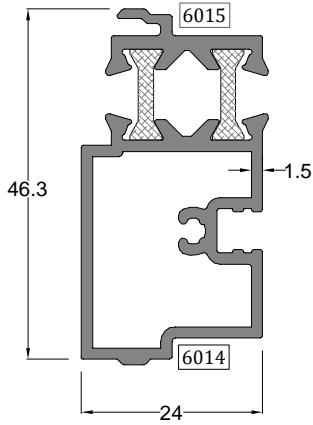




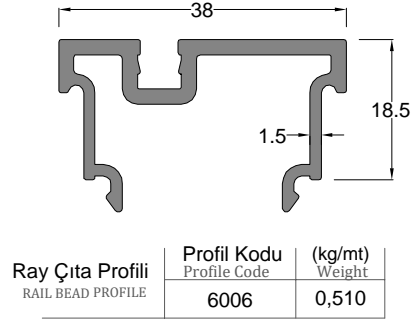
Etek Profili BOTTOM PROFILE	Profil Kodu Profile Code	(kg/mt) Weight	Jx cm ⁴	Jy cm ⁴
	6012-6013	2,127	52,78	29,56



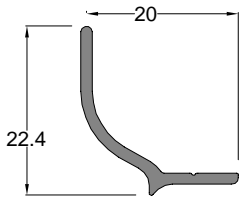
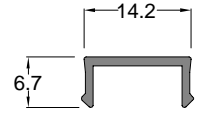
Kapak Profili COVER PROFILE	Profil Kodu Profile Code	(kg/mt) Weight
	11524	0,681



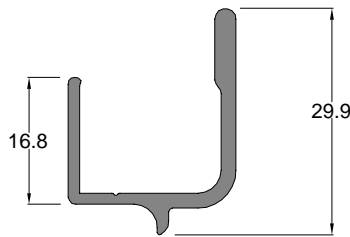
Adaptör Profili ADAPTER PROFILE	Profil Kodu Profile Code	(kg/mt) Weight
	6014-6015	0,866



Ray Çita Profili RAIL BEAD PROFILE	Profil Kodu Profile Code	(kg/mt) Weight
	6006	0,510

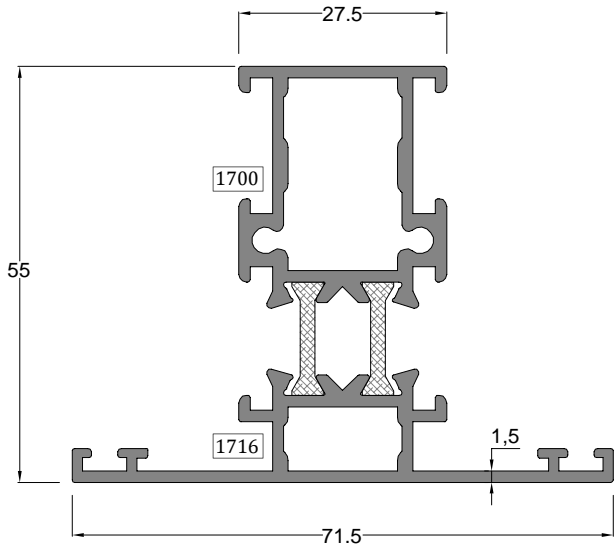


Damlalık Profili DROPPER PROFILE	Profil Kodu Profile Code	(kg/mt) Weight
	6019	0,148

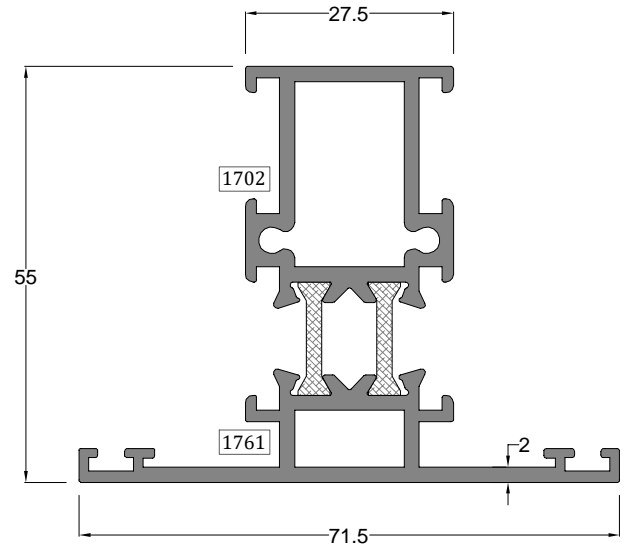


Sineklik Profili SWATTER PROFILE	Profil Kodu Profile Code	(kg/mt) Weight
	6017	0,327

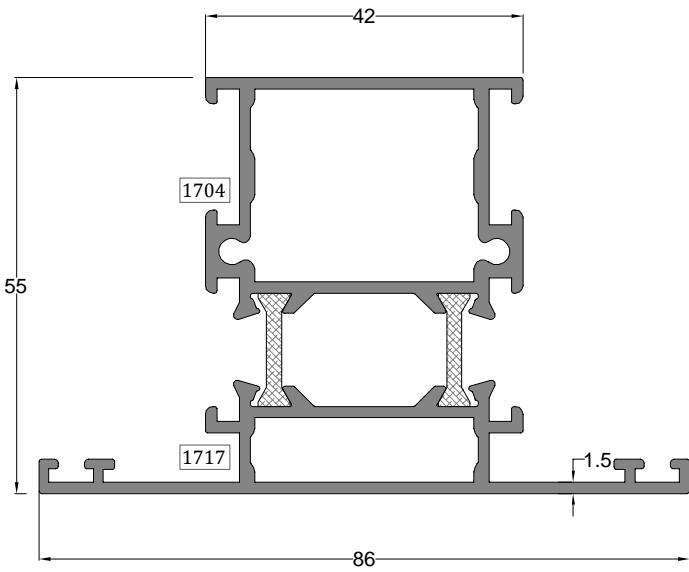
Kapak Profili COVER PROFILE	Profil Kodu Profile Code	(kg/mt) Weight
	4112	0,076



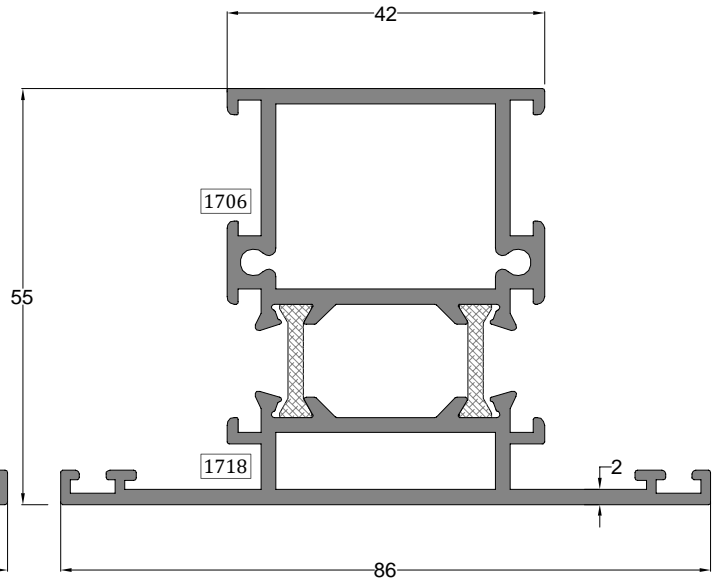
Orta Kayıt Profili MULLION PROFILE	Profil Kodu Profile Code	(kg/mt) Weight	Jx cm ⁴	Jy cm ⁴
	55-1700-1716	1,377	16,51	9,71



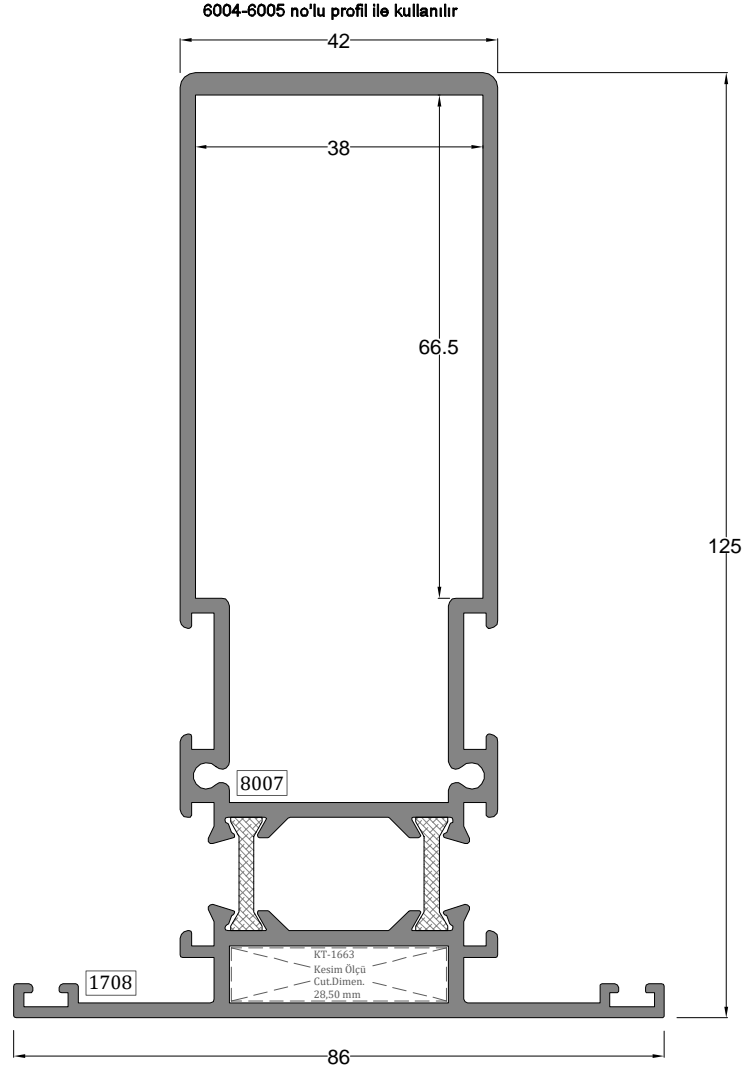
Orta Kayıt Profili MULLION PROFILE	Profil Kodu Profile Code	(kg/mt) Weight	Jx cm ⁴	Jy cm ⁴
	55-1702-1761	1,560	19,14	10,52



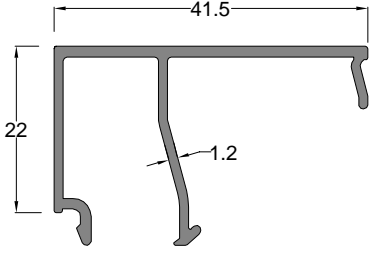
Orta Kayıt Profili MULLION PROFILE	Profil Kodu Profile Code	(kg/mt) Weight	Jx cm ⁴	Jy cm ⁴
	55-1704-1717	1,615	20,11	21,06



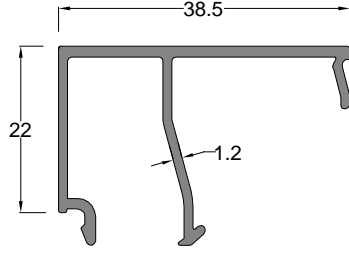
Orta Kayıt Profili MULLION PROFILE	Profil Kodu Profile Code	(kg/mt) Weight	Jx cm ⁴	Jy cm ⁴
	55-1706-1718	1,877	23,91	23,14



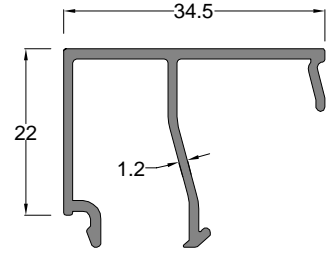
Takiyeli Orta Kayıt Profili REINFORCED MULLION PROFILE	Profil Kodu Profile Code	(kg/mt) Weight	Jx cm ⁴	Jy cm ⁴
	55-1718-8007	2,786	191,35	33,88



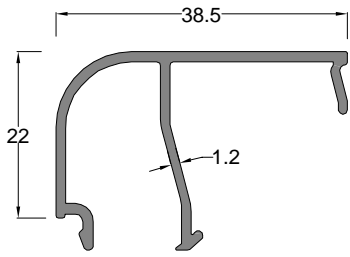
Cam Çıtası GLAZING BEAD	Profil Kodu Profile Code	(kg/mt) Weight
	3537	0,367



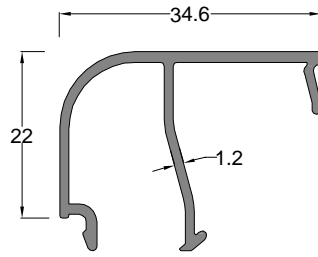
Cam Çıtası GLAZING BEAD	Profil Kodu Profile Code	(kg/mt) Weight
	1749	0,356



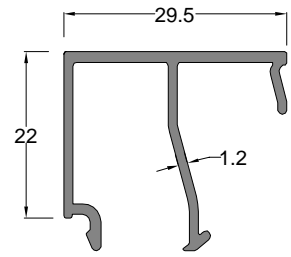
Cam Çıtası GLAZING BEAD	Profil Kodu Profile Code	(kg/mt) Weight
	1747	0,340



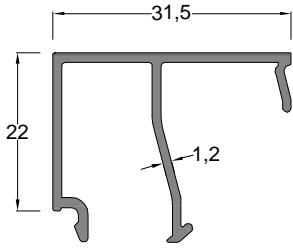
Cam Çıtası GLAZING BEAD	Profil Kodu Profile Code	(kg/mt) Weight
	1750	0,342



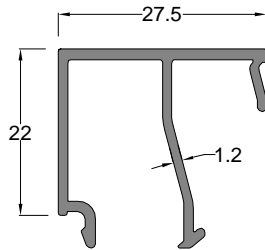
Cam Çıtası GLAZING BEAD	Profil Kodu Profile Code	(kg/mt) Weight
	1748	0,327



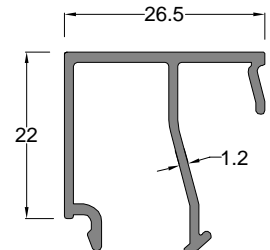
Cam Çıtası GLAZING BEAD	Profil Kodu Profile Code	(kg/mt) Weight
	3636	0,321



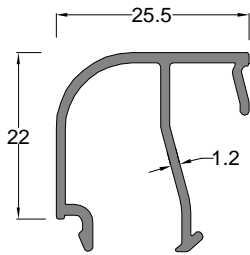
Cam Çıtası GLAZING BEAD	Profil Kodu Profile Code	(kg/mt) Weight
	3536	0,329



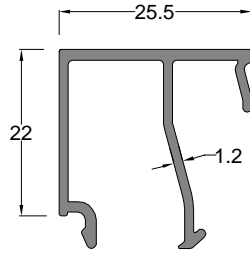
Cam Çıtası GLAZING BEAD	Profil Kodu Profile Code	(kg/mt) Weight
	1966	0,314



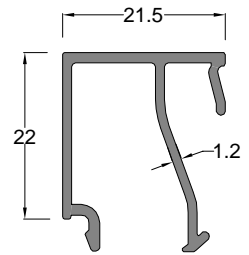
Cam Çıtası GLAZING BEAD	Profil Kodu Profile Code	(kg/mt) Weight
	2236	0,310



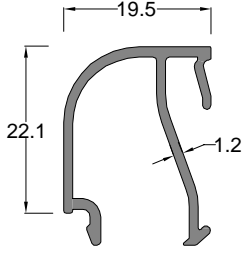
Cam Çıtası GLAZING BEAD	Profil Kodu Profile Code	(kg/mt) Weight
	5527	0,293



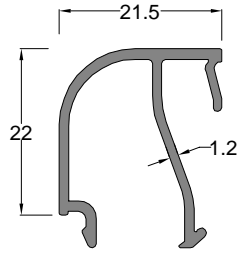
Cam Çıtası GLAZING BEAD	Profil Kodu Profile Code	(kg/mt) Weight
	1949	0,306



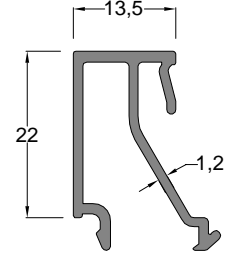
Cam Çıtası GLAZING BEAD	Profil Kodu Profile Code	(kg/mt) Weight
	1745	0,292



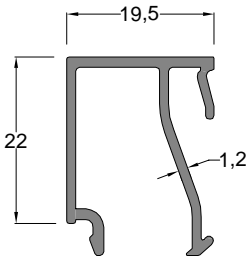
Cam Çıtası GLAZING BEAD	Profil Kodu Profile Code	(kg/mt) Weight
	5546	0,271



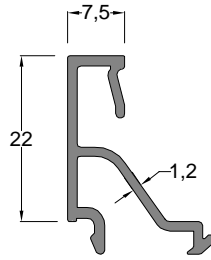
Cam Çıtası GLAZING BEAD	Profil Kodu Profile Code	(kg/mt) Weight
	1746	0,279



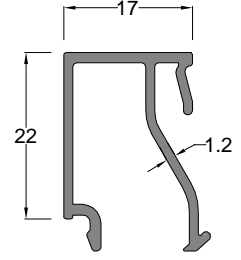
Cam Çıtası GLAZING BEAD	Profil Kodu Profile Code	(kg/mt) Weight
	1698	0,270



Cam Çıtası GLAZING BEAD	Profil Kodu Profile Code	(kg/mt) Weight
	1699	0,285

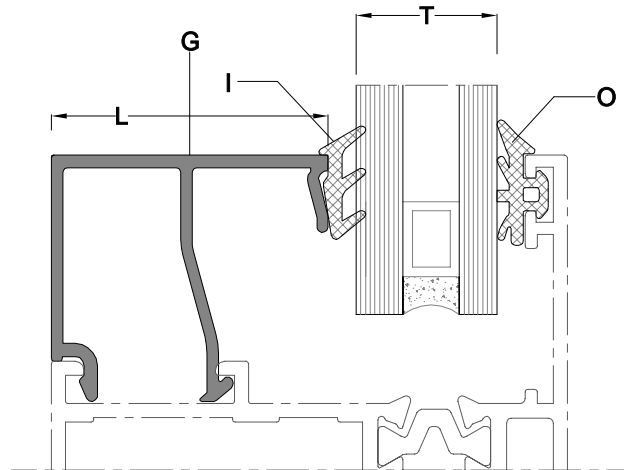


Cam Çıtası GLAZING BEAD	Profil Kodu Profile Code	(kg/mt) Weight
	1948	0,235

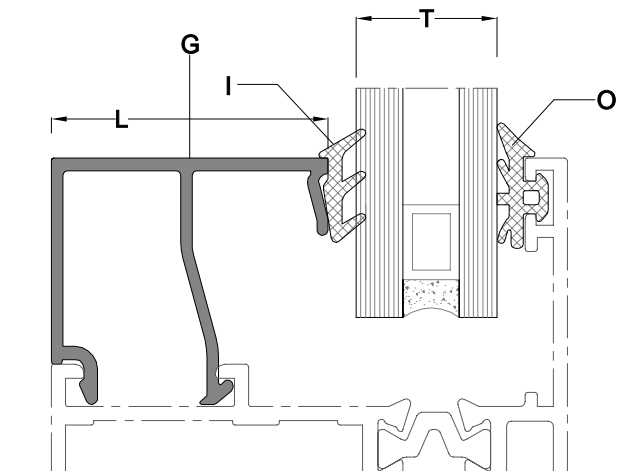


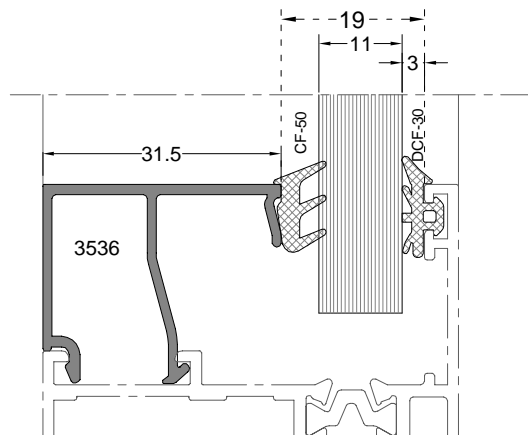
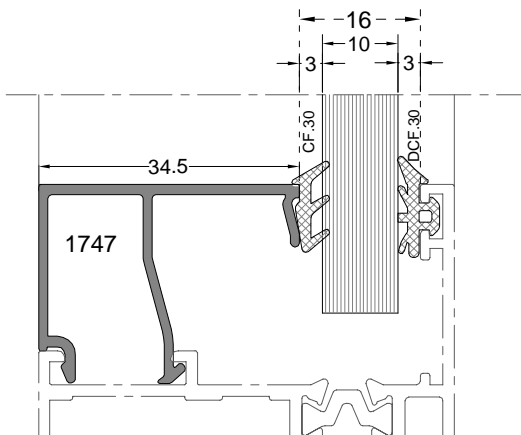
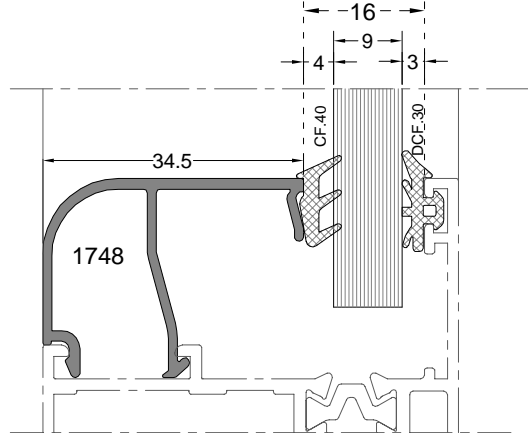
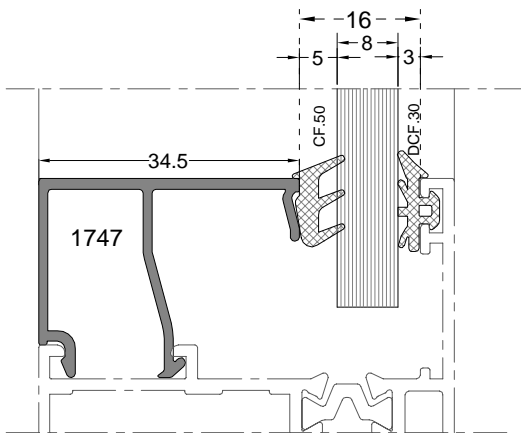
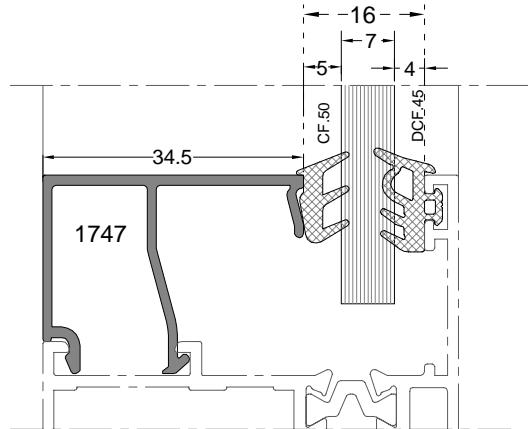
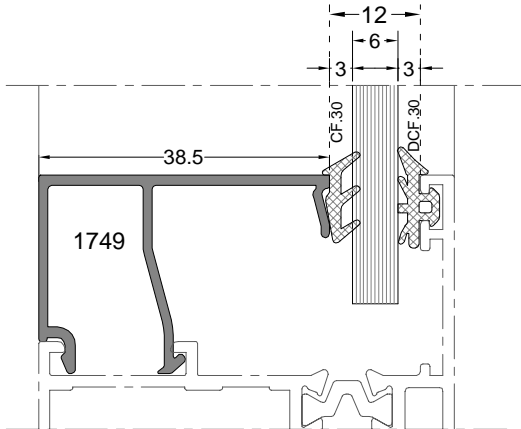
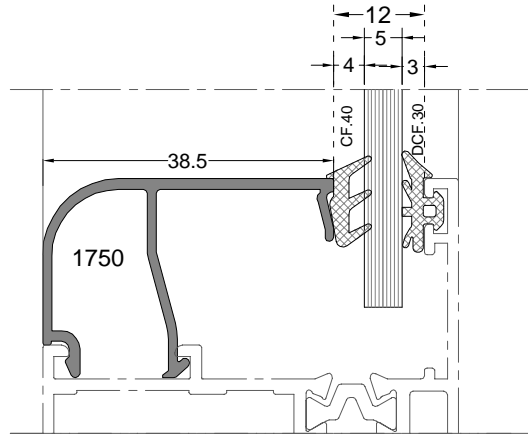
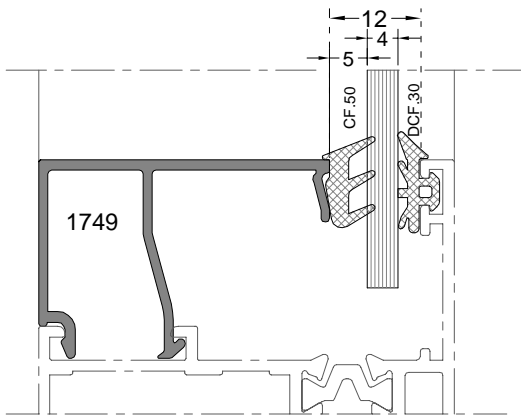
Cam Çıtası GLAZING BEAD	Profil Kodu Profile Code	(kg/mt) Weight
	3539	0,277

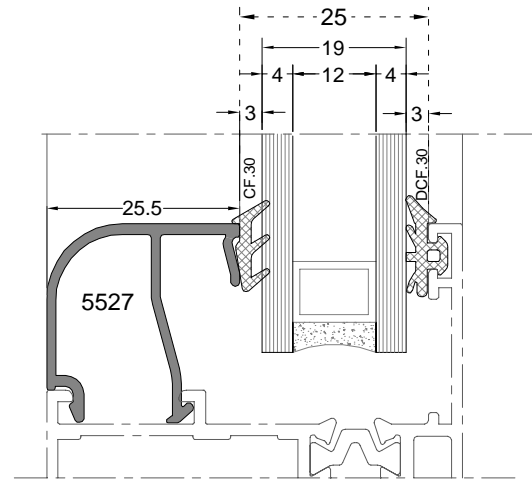
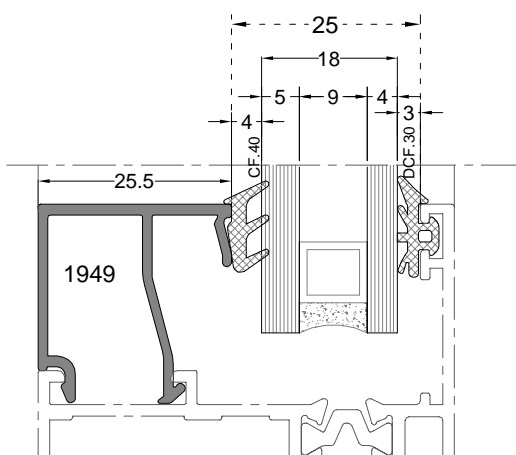
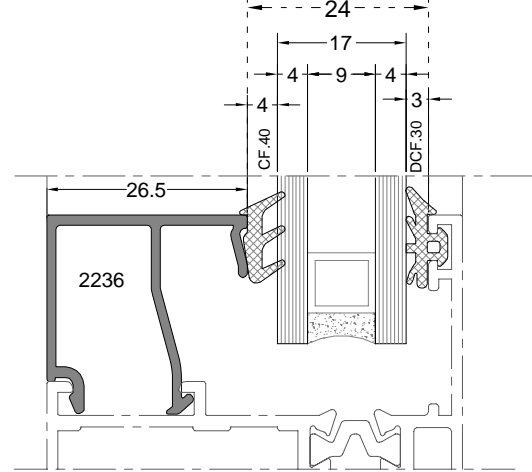
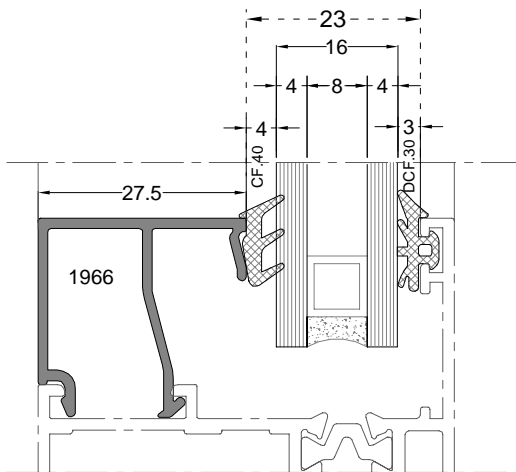
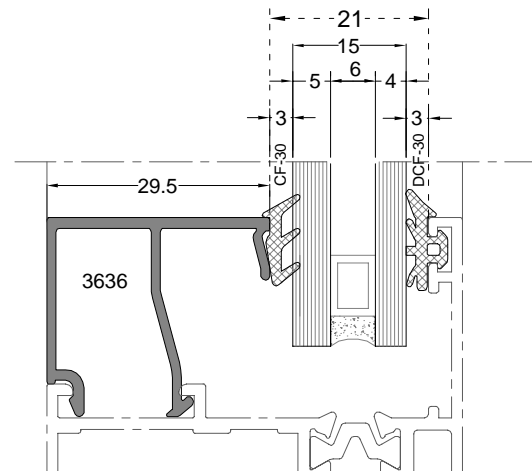
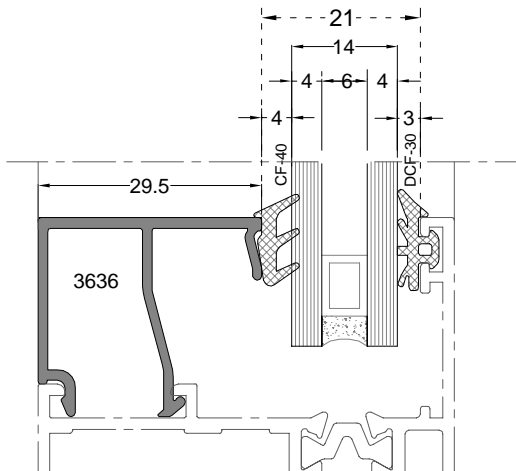
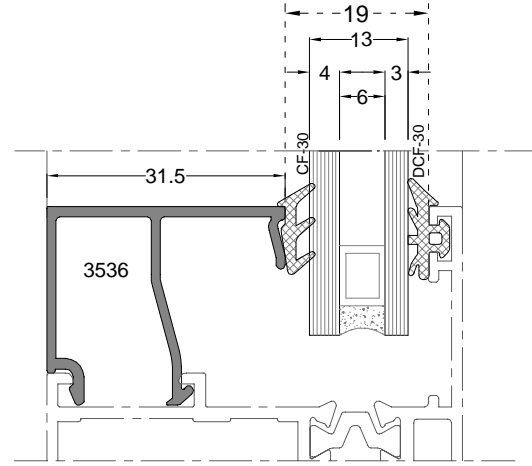
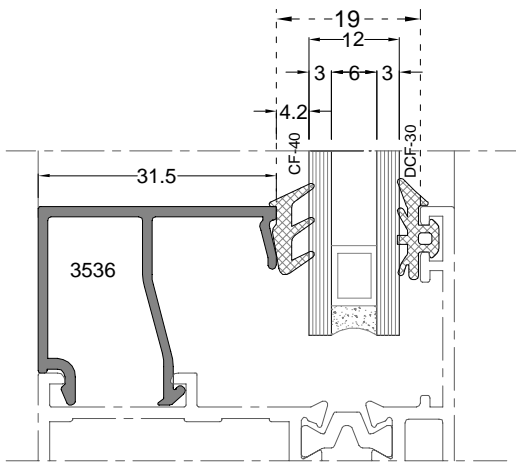
CAM ÇİTASI GLAZING BEAD	CAM ÇİTASI UZUNLU Ğ GLAZING BEAD LENGTH	Ç CAM F T L GLAZING GASKET(inside)	CAM KALINLI Ğ GLASS THICKNESS	DI CAM F T L GLAZING GASKET(outside)
(G)	(L)	(I)	(T)	(O)
1749	38,5 mm	CF.50	4 mm	DCF.30
1750	38,5 mm	CF.40	5 mm	DCF.30
1749	38,5 mm	CF.30	6 mm	DCF.30
1747	34,5 mm	CF.50	7 mm	DCF.45
1747	34,5 mm	CF.50	8 mm	DCF.30
1748	34,5 mm	CF.40	9 mm	DCF.30
1747	34,5 mm	CF.30	10 mm	DCF.30
1747	34,5 mm	CF.50	11 mm	DCF.30
3536	31,5 mm	CF.40	12 mm	DCF.30
3536	31,5 mm	CF.30	13 mm	DCF.30
3636	29,5 mm	CF.40	14 mm	DCF.30
3636	29,5 mm	CF.30	15 mm	DCF.30
1966	27,5 mm	CF.40	16 mm	DCF.30
2236	26,5 mm	CF.40	17 mm	DCF.30
1949	25,5 mm	CF.40	18 mm	DCF.30
5527	25,5 mm	CF.30	19 mm	DCF.30
1745	21,5 mm	CF.50	20 mm	DCF.45
1745	21,5 mm	CF.50	21 mm	DCF.30
1745	21,5 mm	CF.40	22 mm	DCF.30
1746	21,5 mm	CF.30	23 mm	DCF.30
5546	19,5 mm	CF.40	24 mm	DCF.30

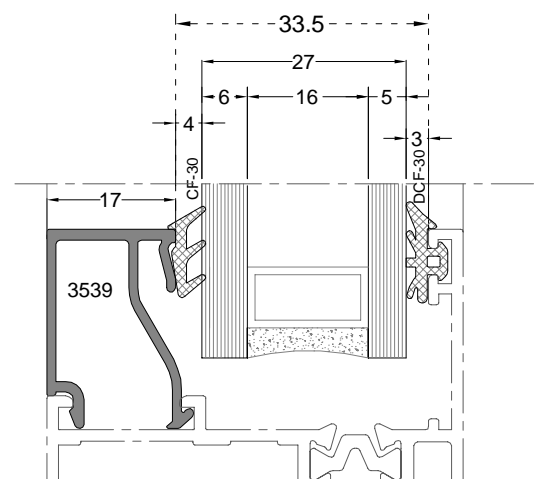
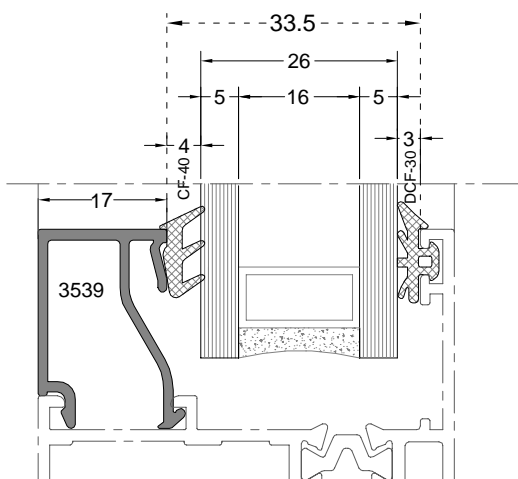
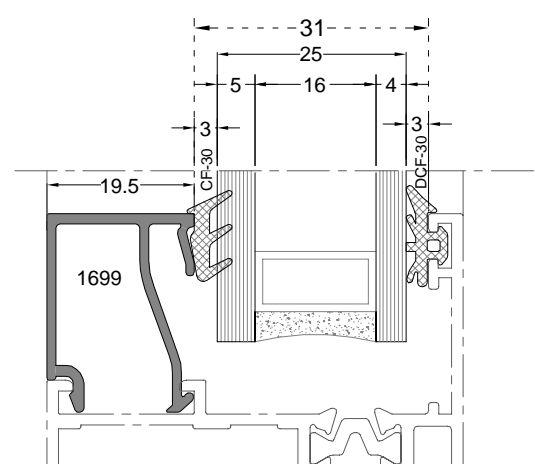
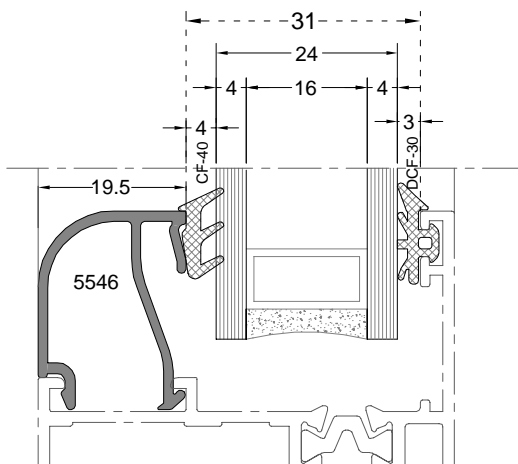
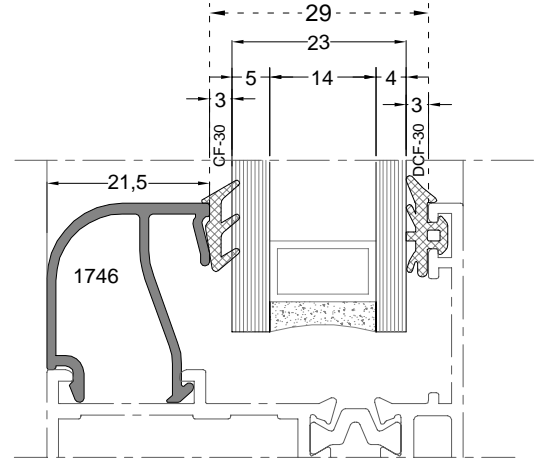
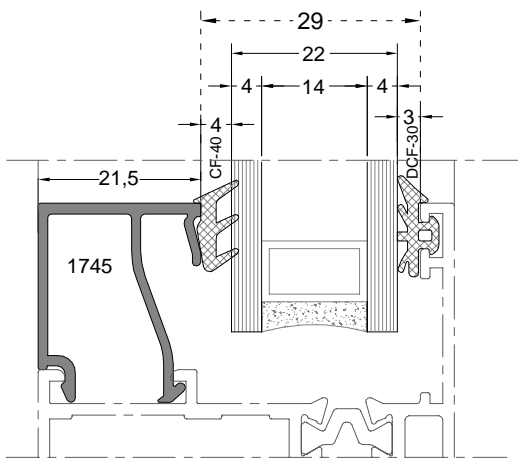
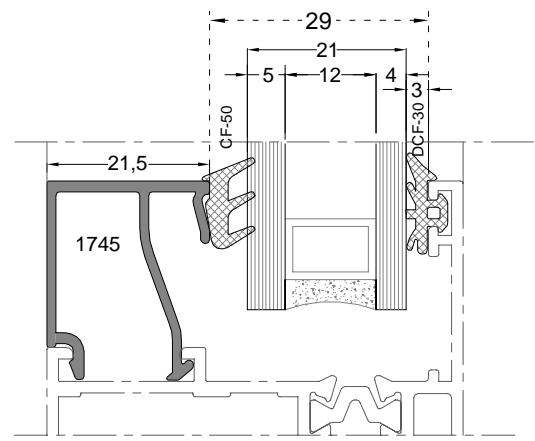
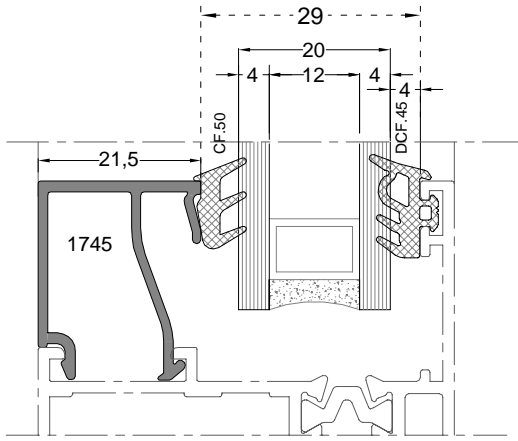


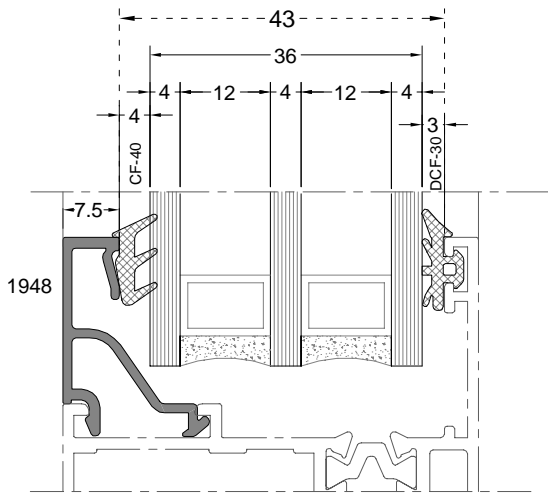
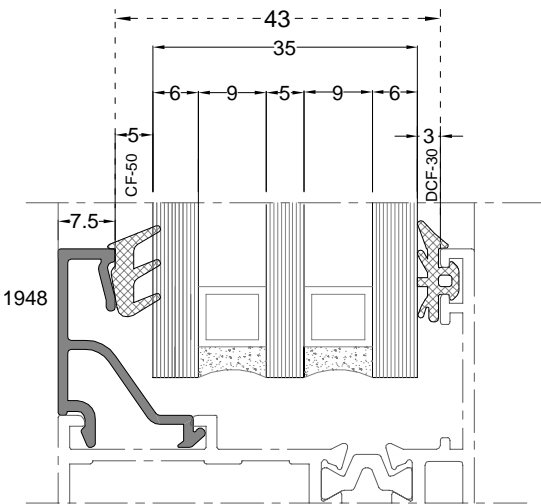
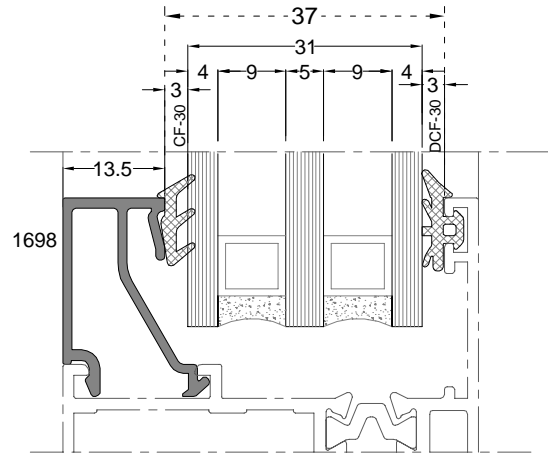
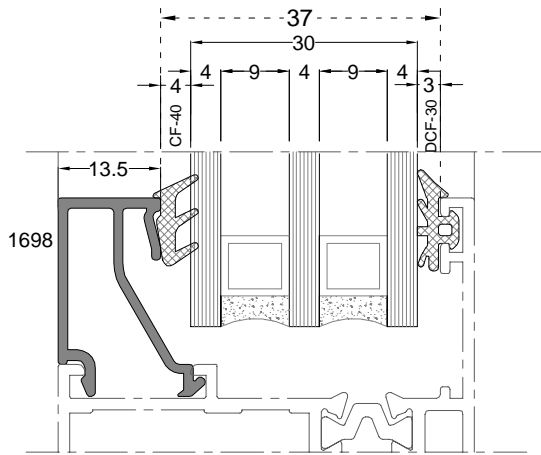
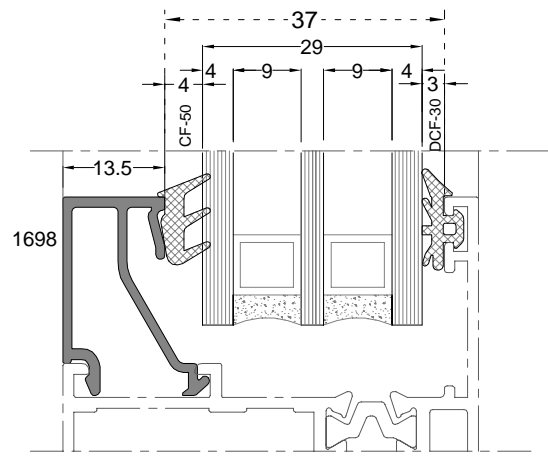
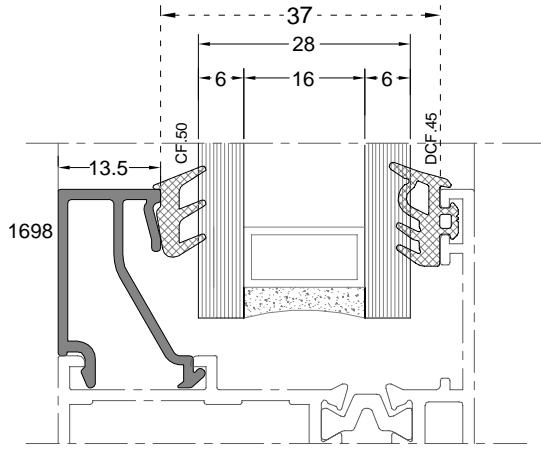
CAM ÇİTASI GLAZING BEAD (G)	CAM ÇİTASI UZUNLU Ğ GLAZING BEAD LENGTH (L)	Ç CAM F T L GLAZING GASKET(inside) (I)	CAM KALINLI Ğ GLASS THICKNESS (T)	DI CAM F T L GLAZING GASKET(outside) (O)
1699	19,5 mm	CF.30	25 mm	DCF.30
3539	17 mm	CF.40	26 mm	DCF.30
3539	17 mm	CF.30	27 mm	DCF.30
1698	13,5 mm	CF.50	28 mm	DCF.45
1698	13,5 mm	CF.50	29 mm	DCF.30
1698	13,5 mm	CF.40	30 mm	DCF.30
1698	13,5 mm	CF.30	31 mm	DCF.30
1948	13,5 mm	CF.50	35 mm	DCF.30
1948	13,5 mm	CF.40	36 mm	DCF.30

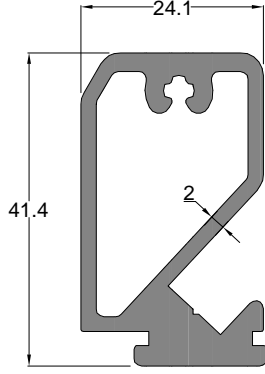




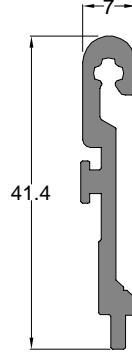






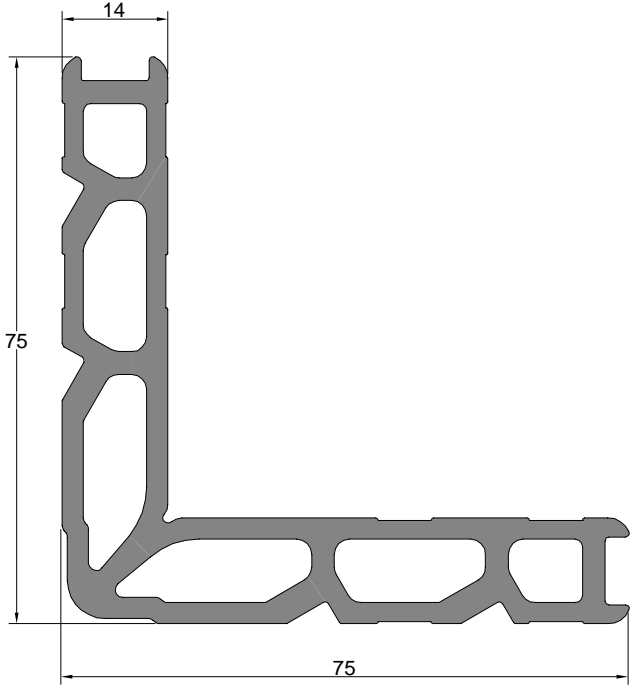


Orta Kayıt Ba lantı Profil MULLION CONNECTION PROFILE	Profil Kodu Profile Code	(kg/mt) Weight
	1773	0,985



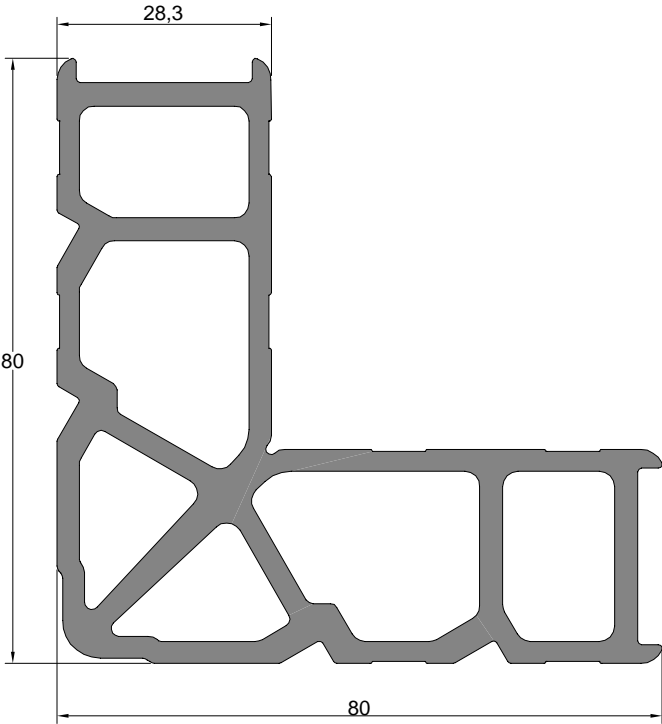
Orta Kayıt Ba lantı Profil MULLION CONNECTION PROFILE	Profil Kodu Profile Code	(kg/mt) Weight
	1774	0,480

Orta Kayıt Ba lantı Profil Kodu Mullion Connection Profile Code	Kullanıldı ı Profil Compatible Profile	Kesim Boyu (mm) Cutting Length (mm)
1773 1774	1700-1716	14,00 mm
	1702-1761	14,00 mm
	1704-1717	28,50 mm
	1706-1718	28,50 mm



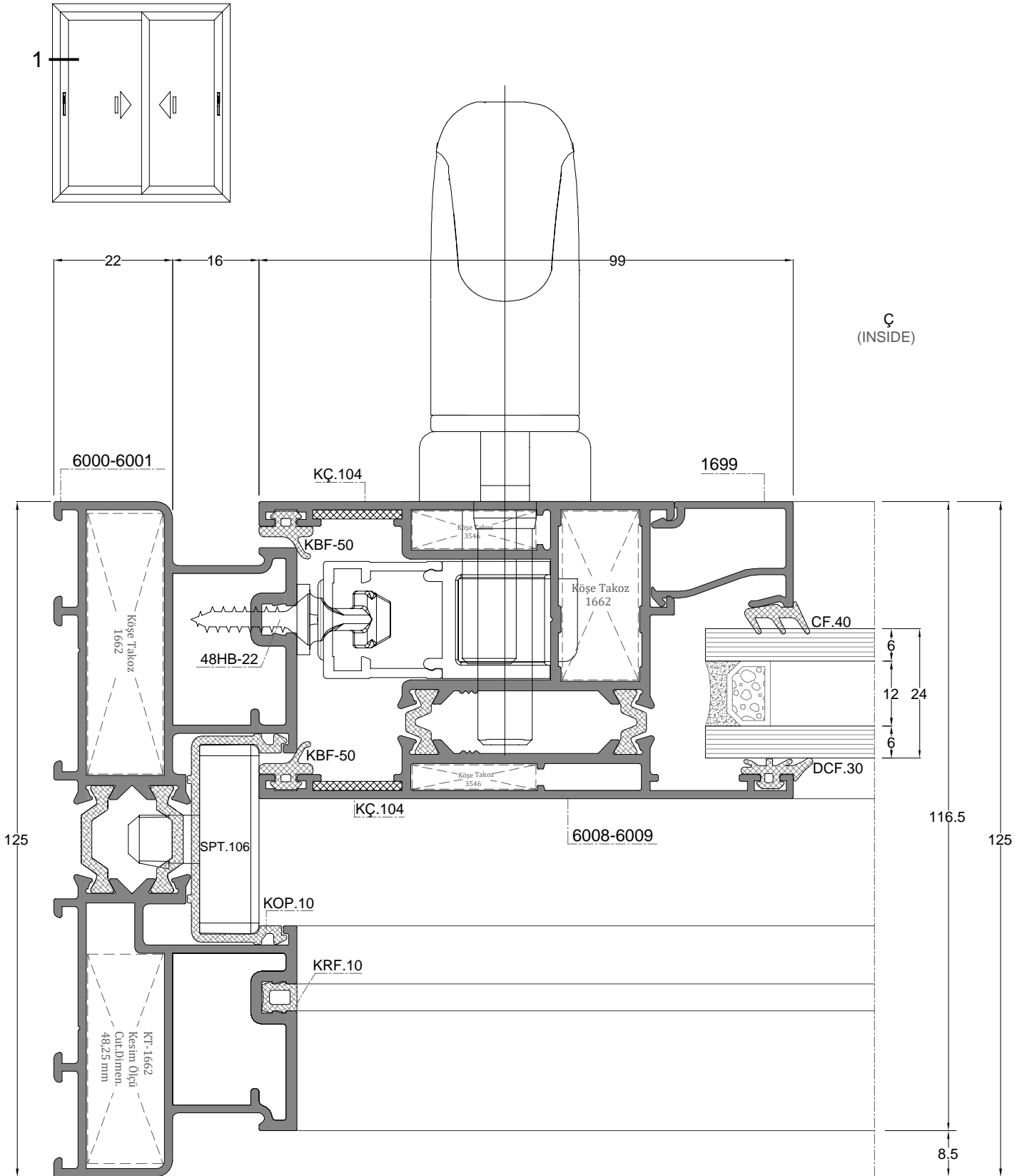
Kö e Takoz Profili CORNER WEDGE PROFILE	Profil Kodu Profile Code	(kg/mt) Weight
	1662	2,576

Kö e Takozu Profil Kodu Corner Wedge Profile Code	Kullanılabilir Profil Compatible Profile	Kesim Boyu (mm) Cutting Length (mm)
1662	6004	43,70 mm
	6005	52,20 mm
	6000 - 6001	47,20 mm
	6002 - 6003	47,00 mm
	6024	45,90 mm
	6008	31,20 mm
	6010	30,90 mm
	1700	25,00 mm
	1716	8,00 mm
	1702	24,00 mm
	1761	7,00 mm



Kö e Takoz Profili CORNER WEDGE PROFILE	Profil Kodu Profile Code	(kg/mt) Weight
	1663	3,526

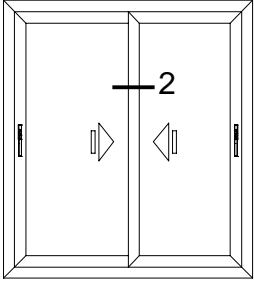
Kö e Takozu Profil Kodu Corner Wedge Profile Code	Kullanılabilir Profil Compatible Profile	Kesim Boyu (mm) Cutting Length (mm)
1663	1704	25,00 mm
	1717	8,00 mm
	1706	24,00 mm
	1718	7,00 mm



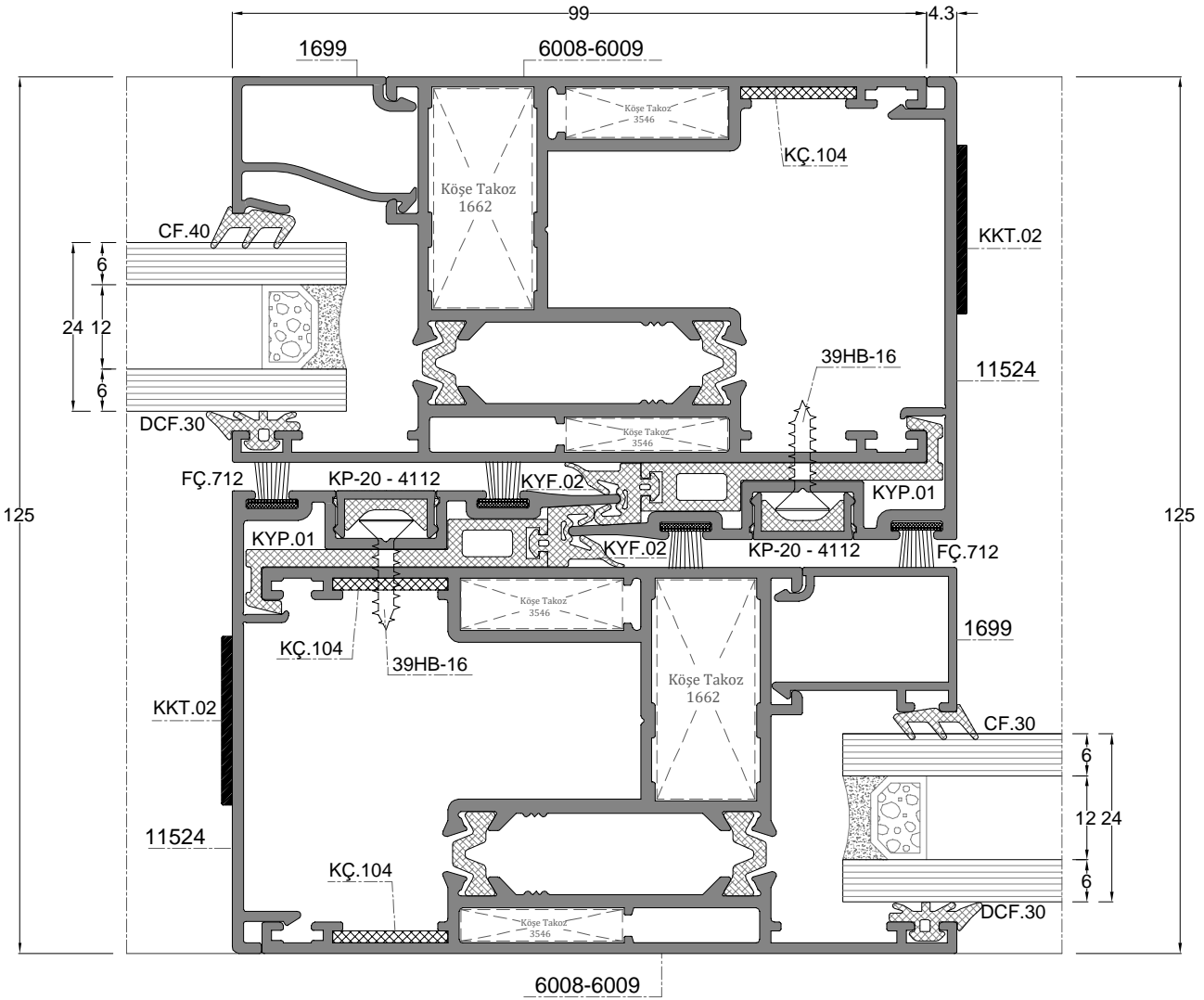
D-1

DI
(OUTSIDE)

KBF 50 F T L YER NE 68-1000 KIL F T L DE KULLANILAB L R.

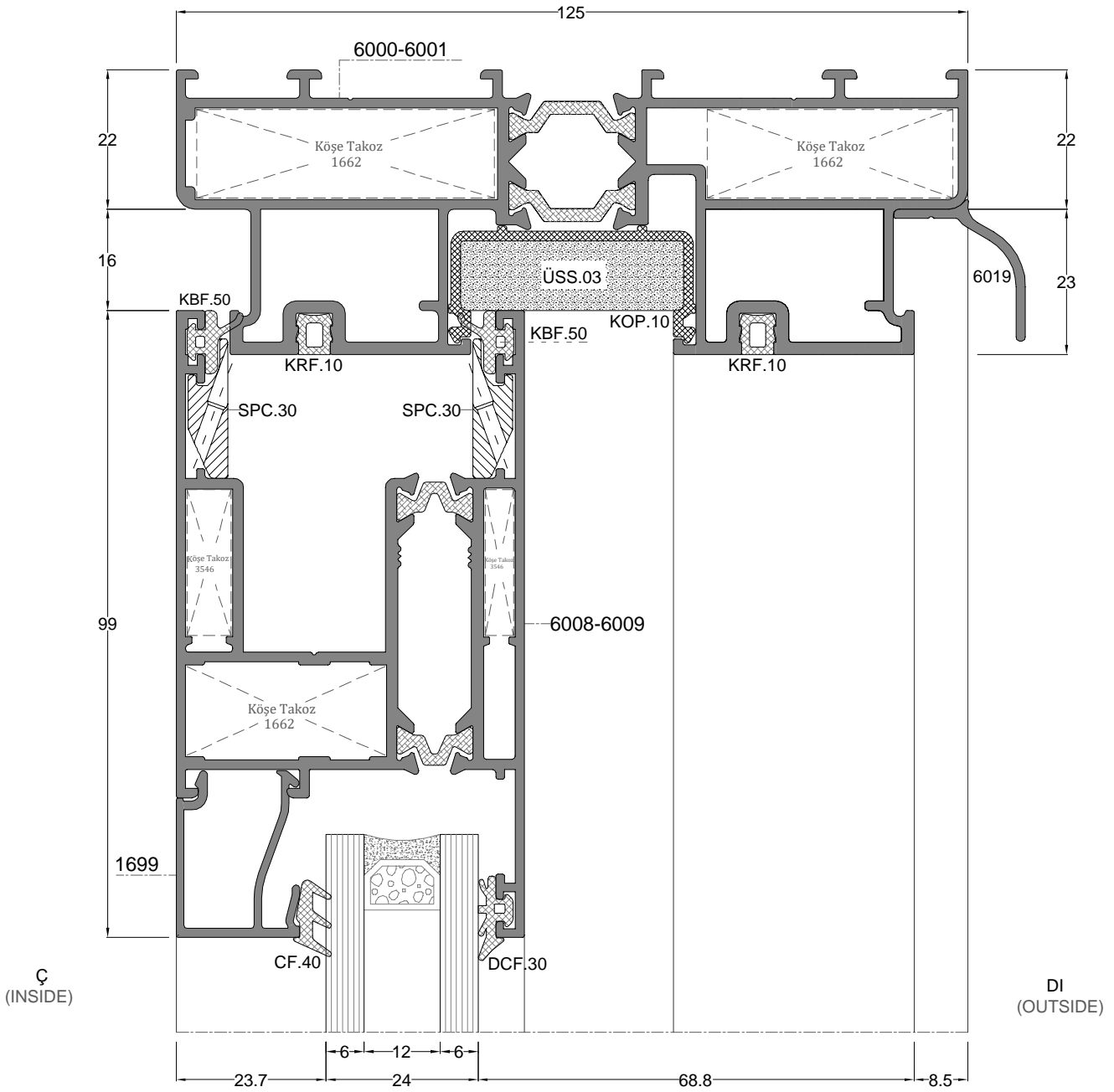
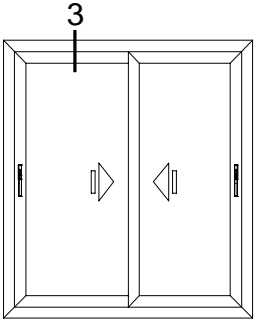


Ç
(INSIDE)

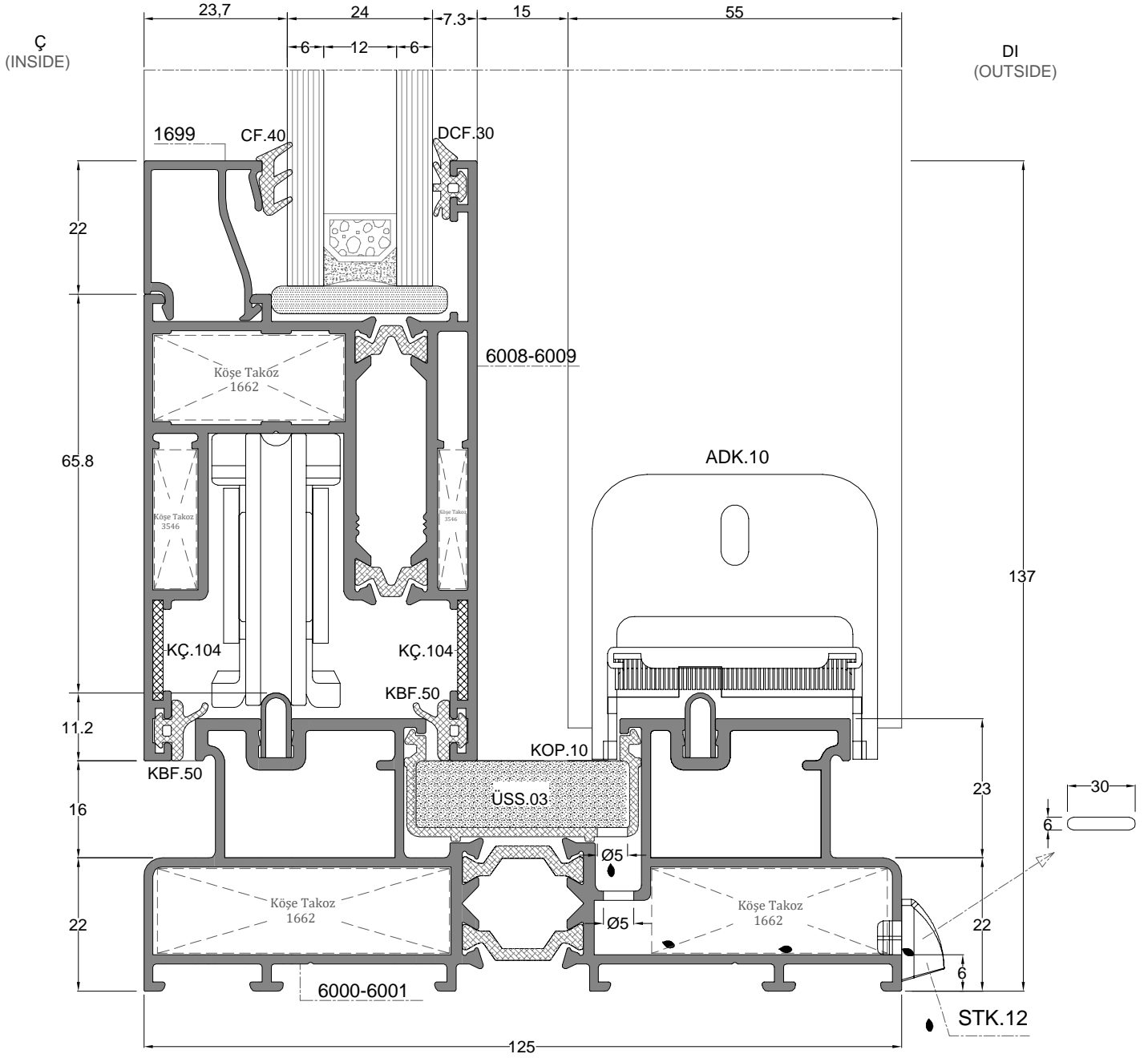
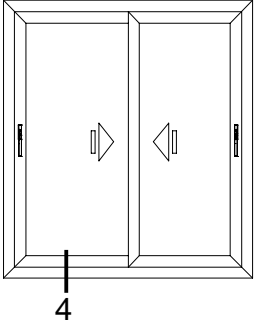


DI
(OUTSIDE)

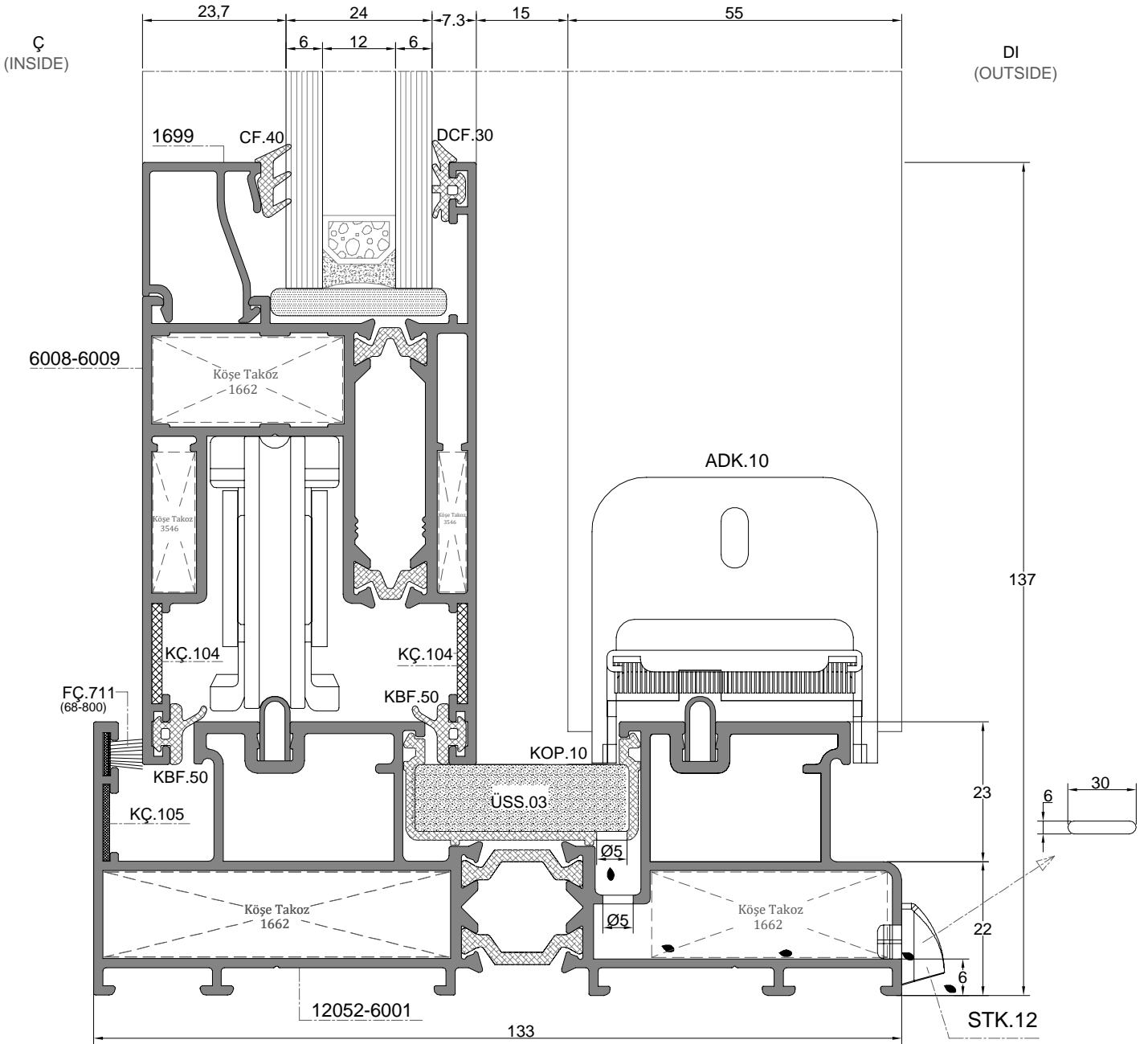
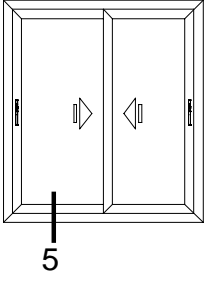
D-2



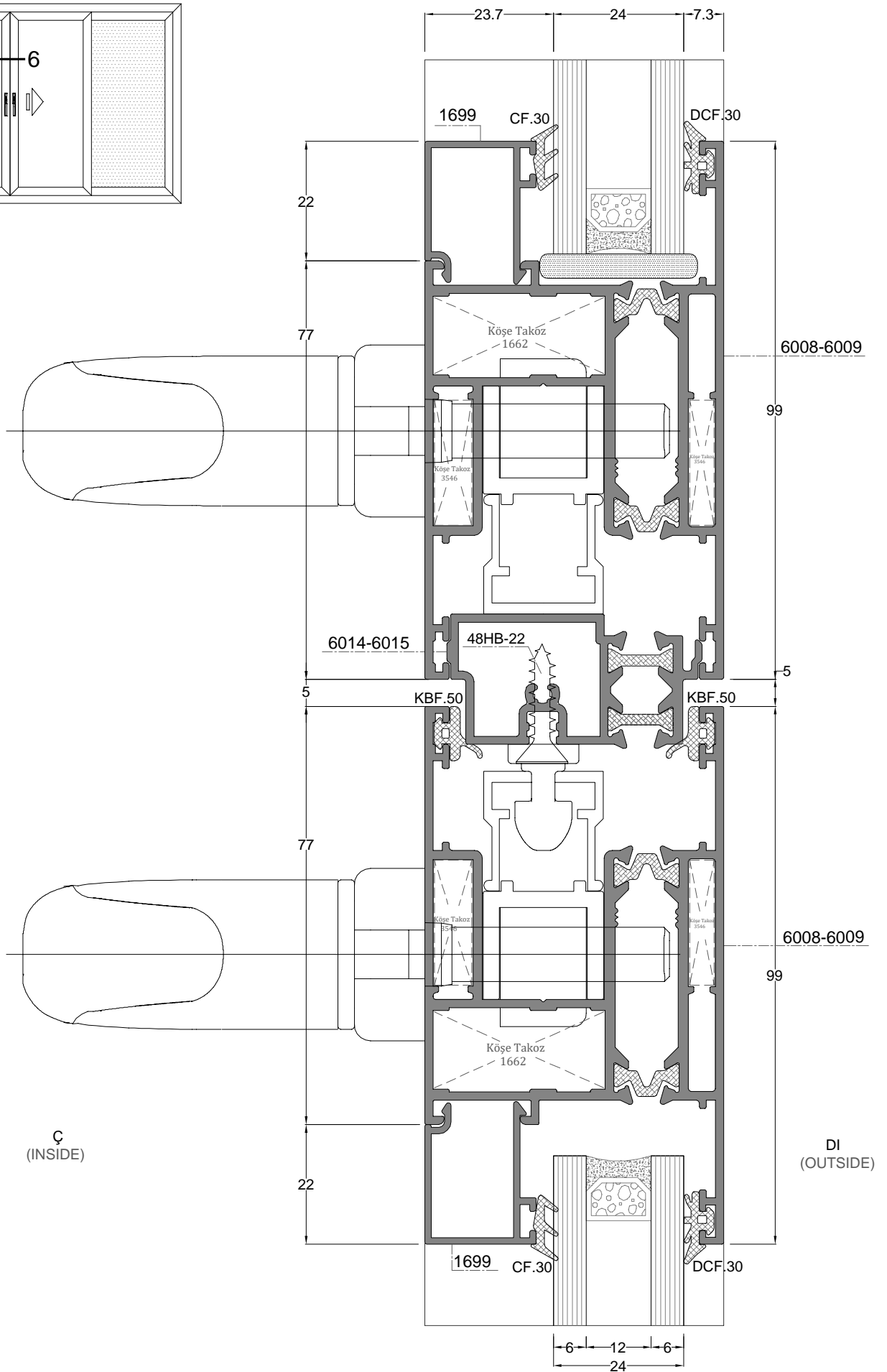
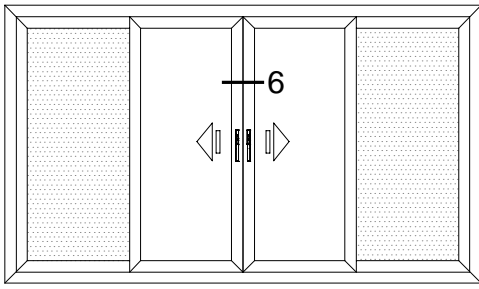
D-3



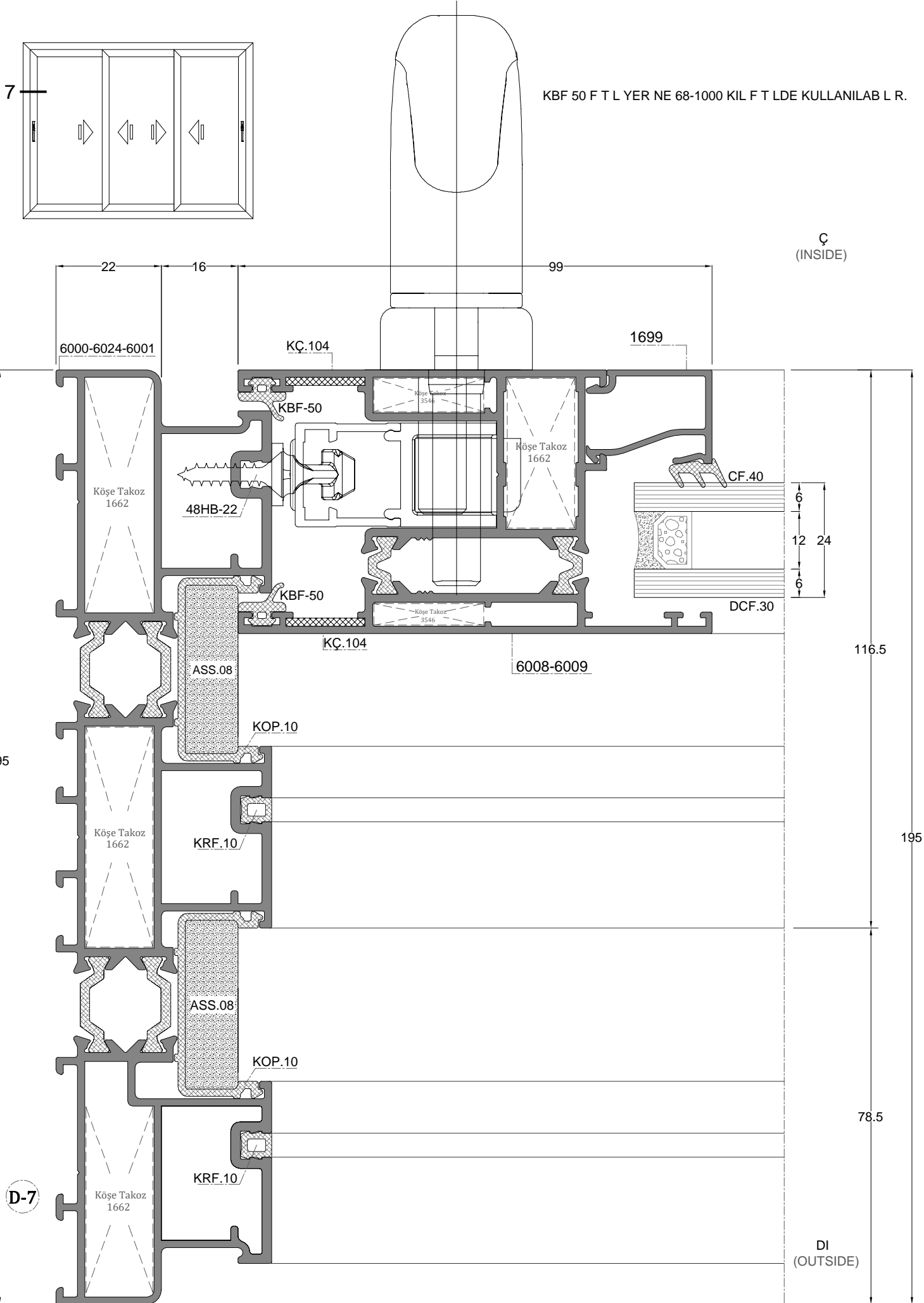
D-4

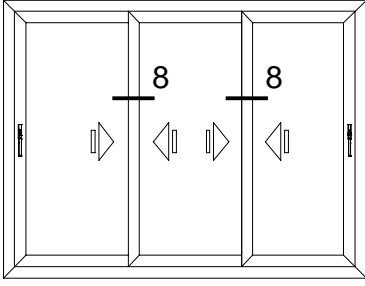


D-5

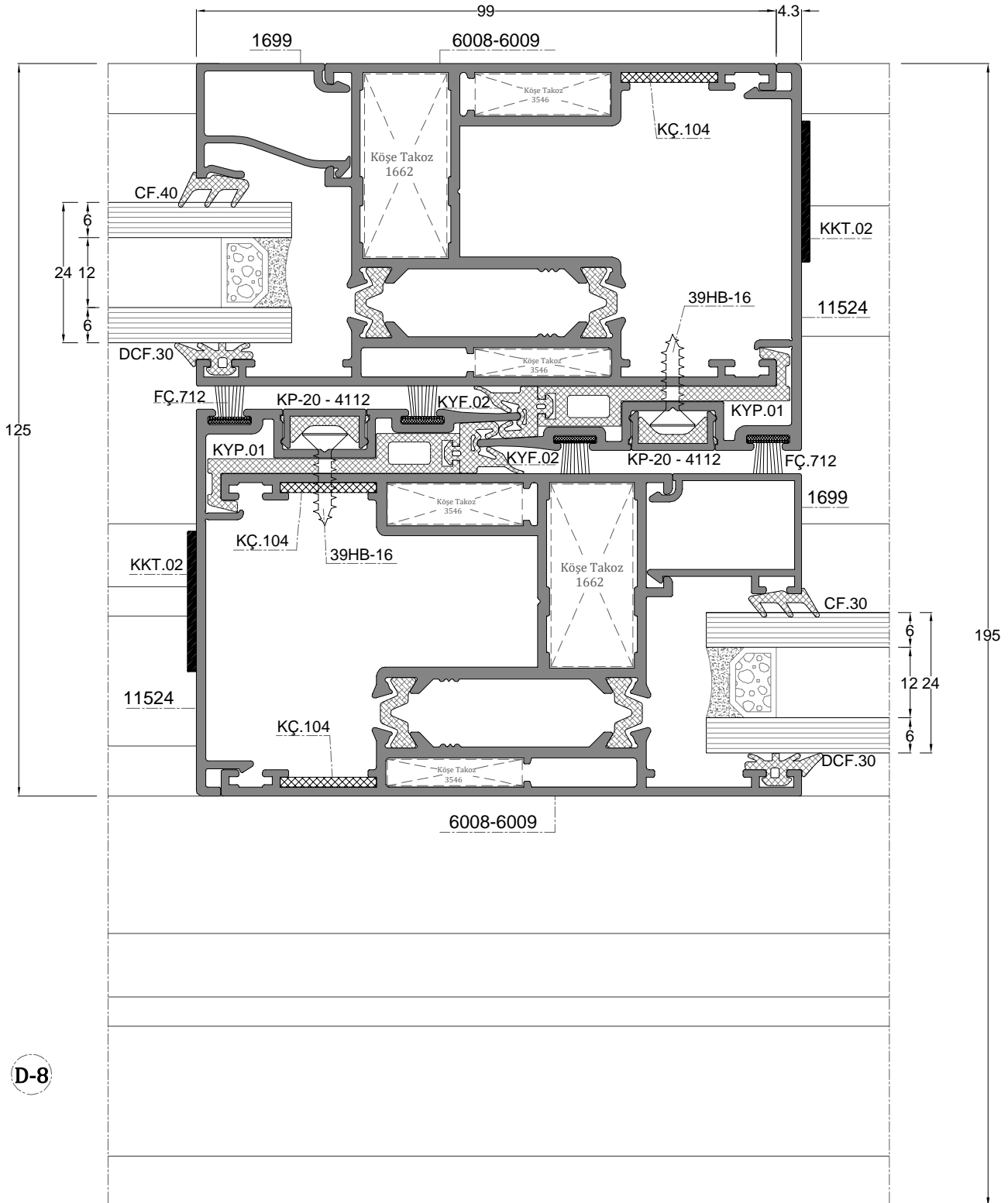


D-6



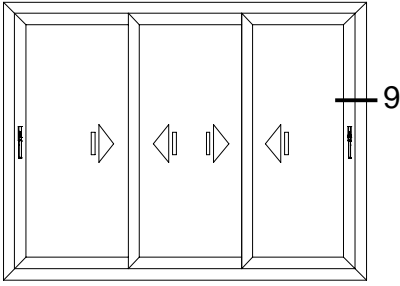


Ç
(INSIDE)



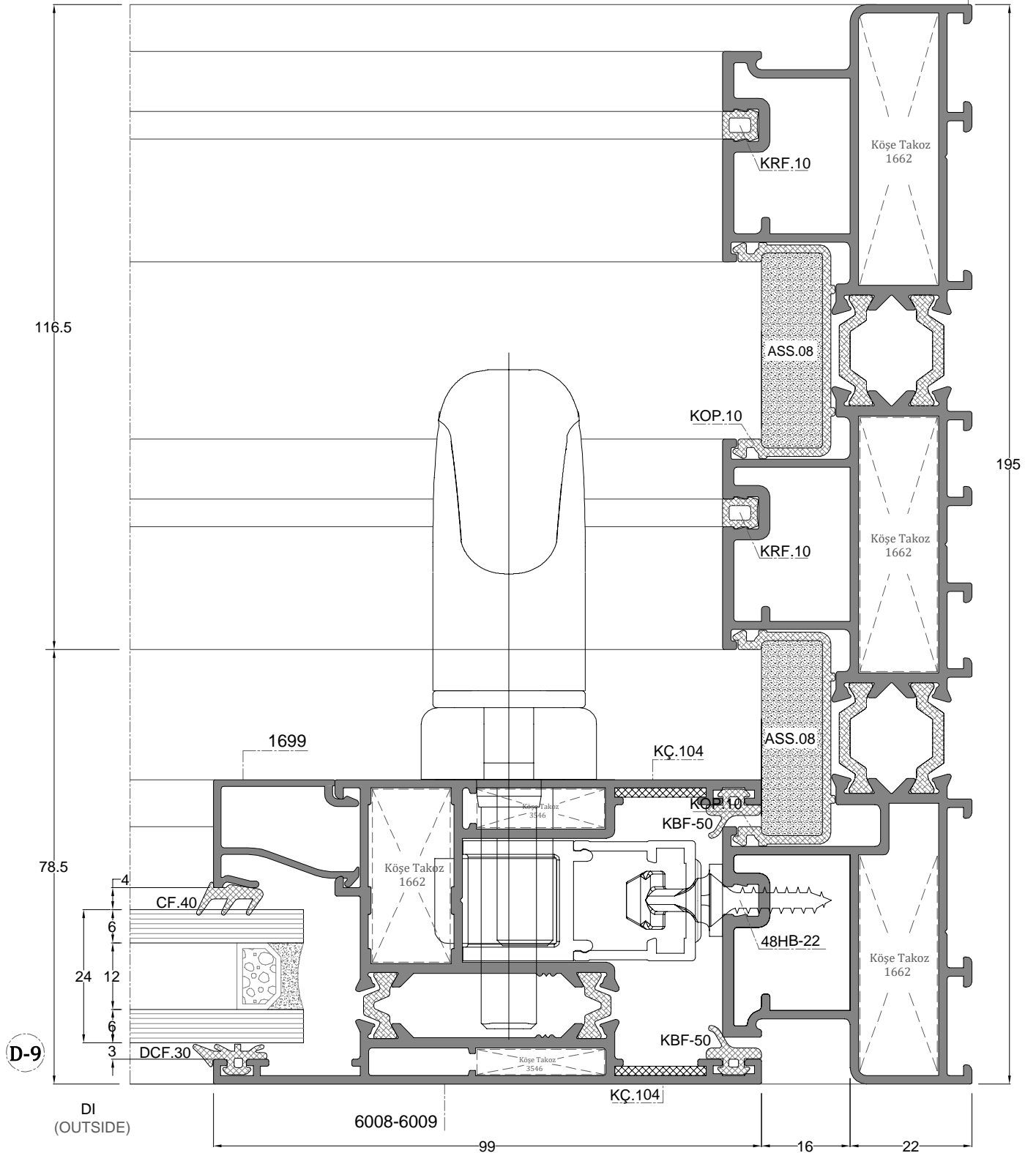
D-8

DI
(OUTSIDE)



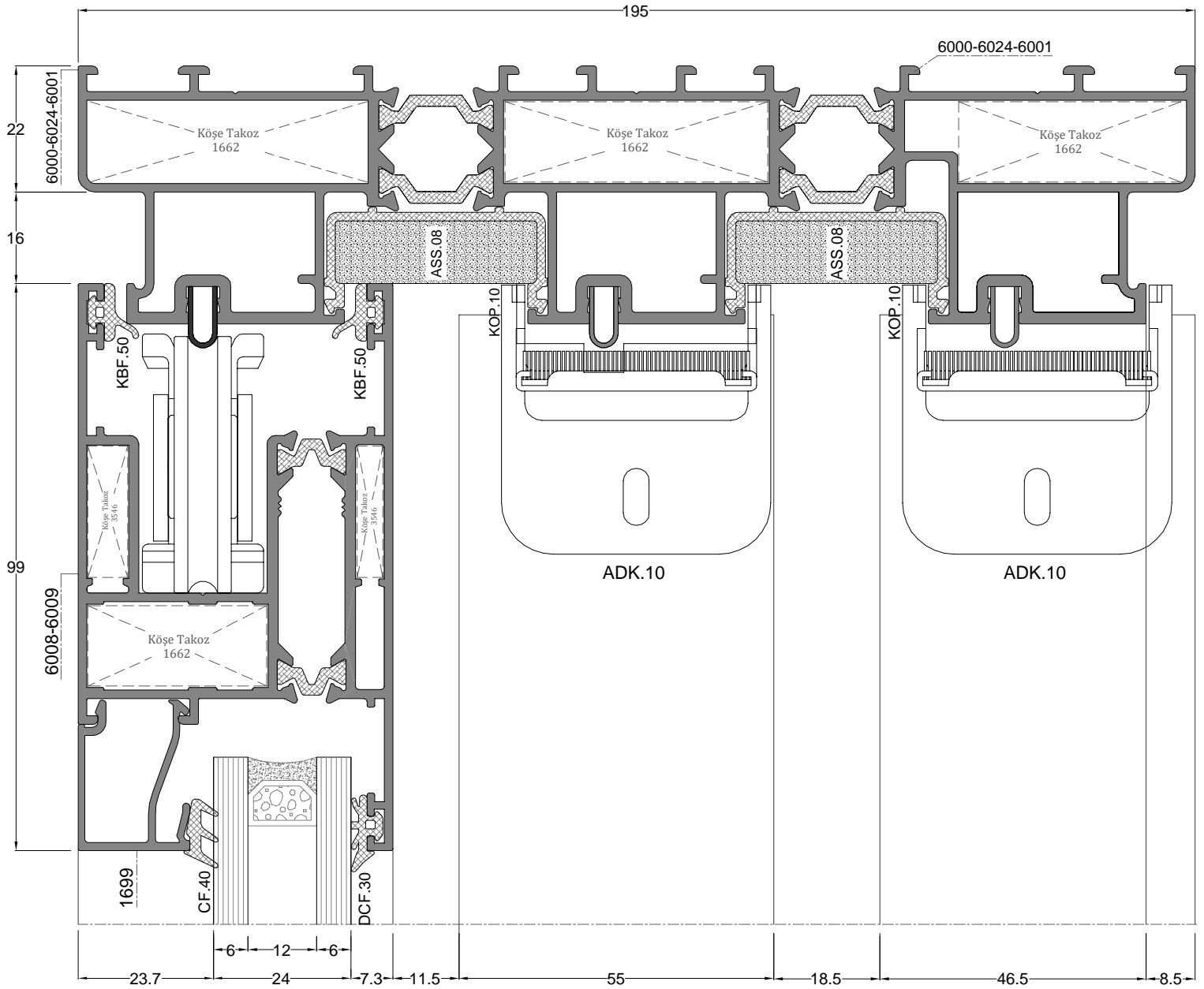
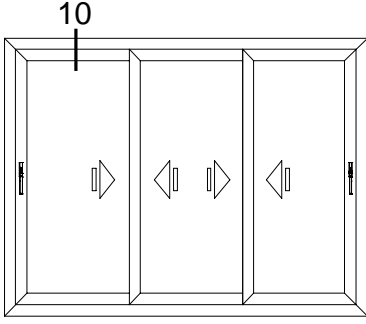
Ç
(INSIDE)

6000-6024-6001



D-9

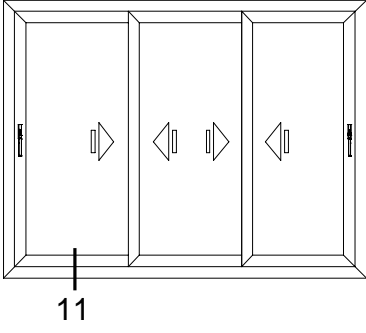
DI
(OUTSIDE)



D-10

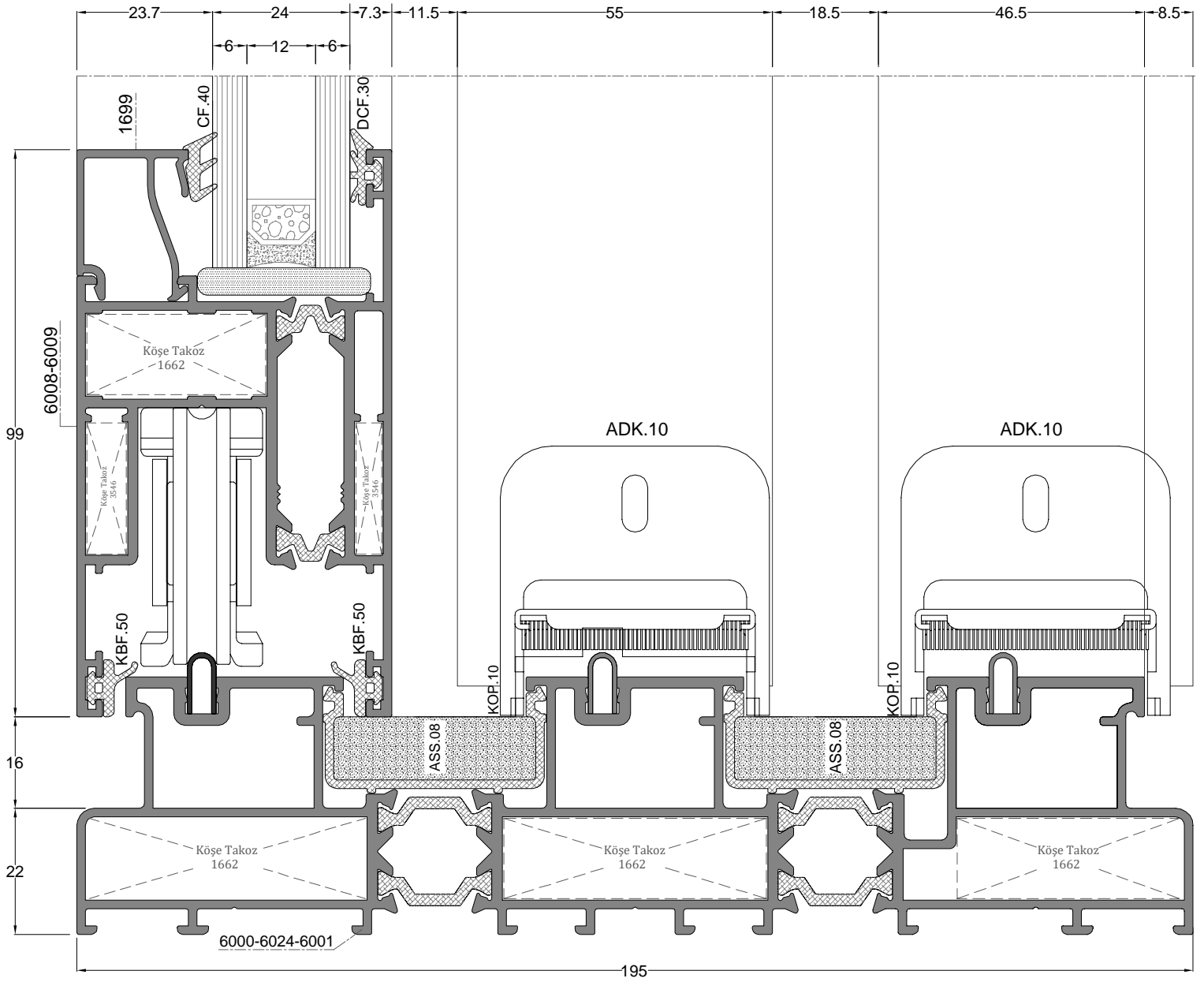
Ç
(INSIDE)

DI
(OUTSIDE)

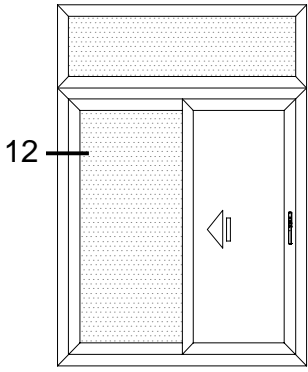


Ç
(INSIDE)

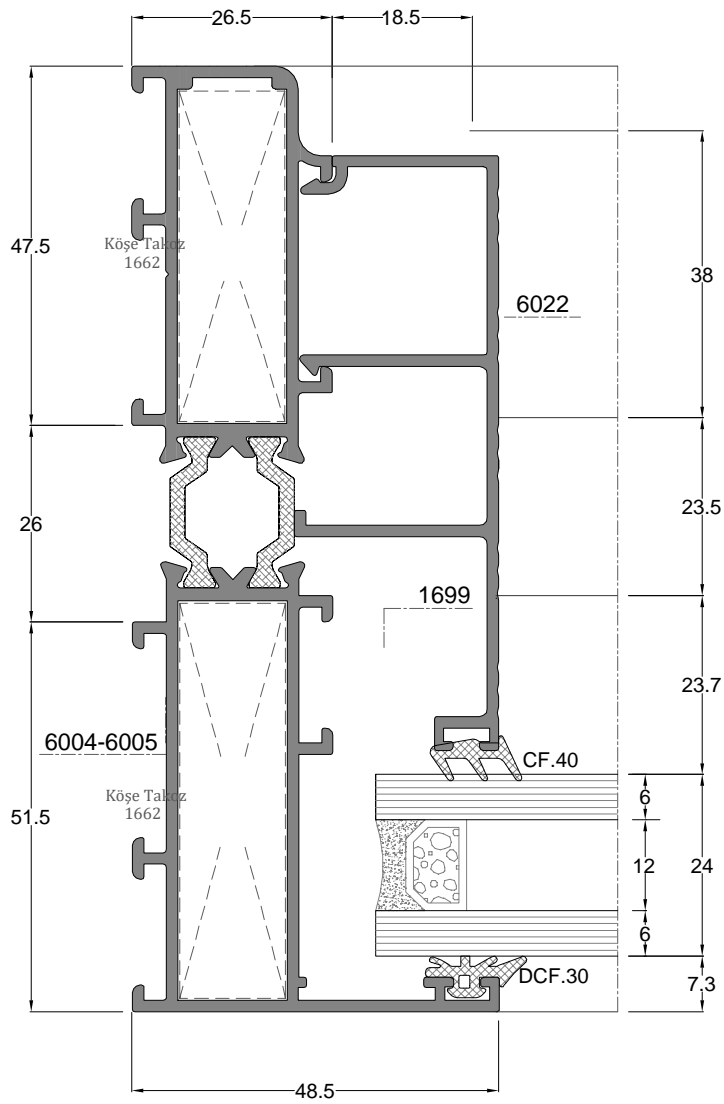
DI
(OUTSIDE)



D-11

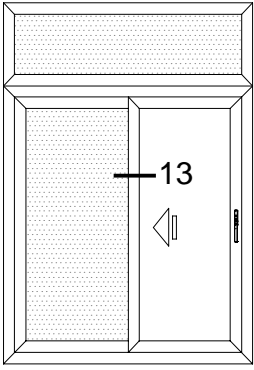


Ç
(INSIDE)

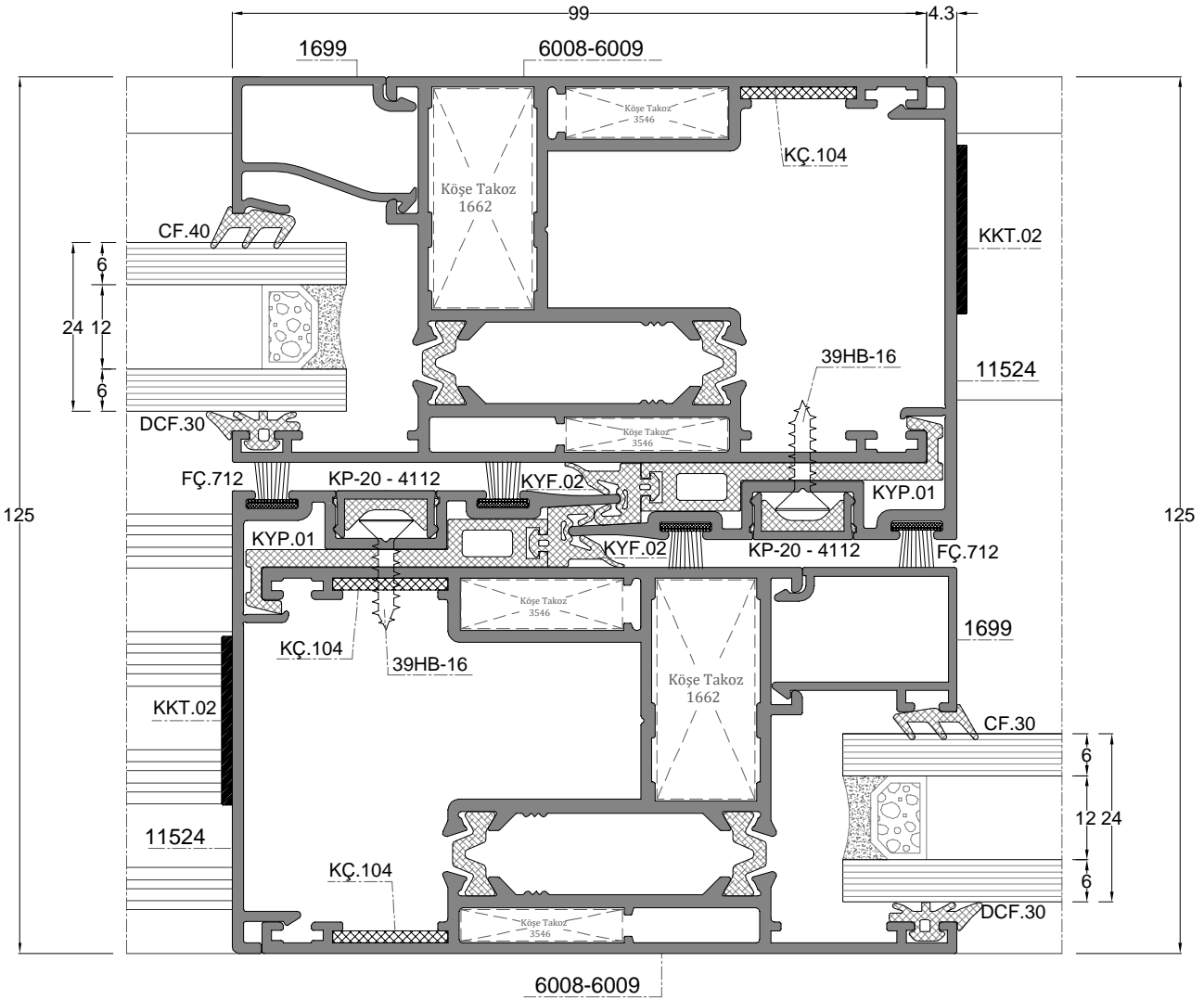


DI
(OUTSIDE)

D-12

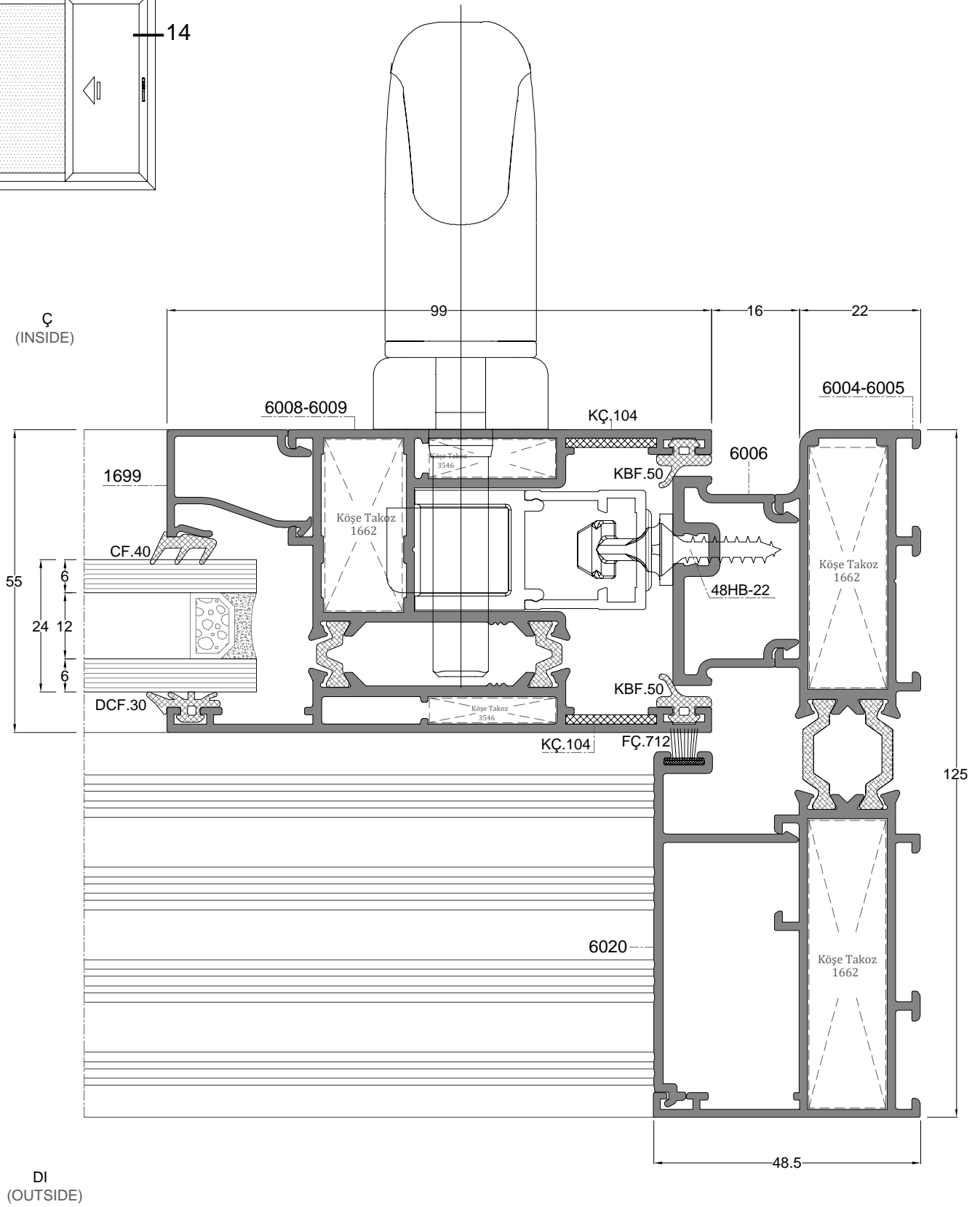
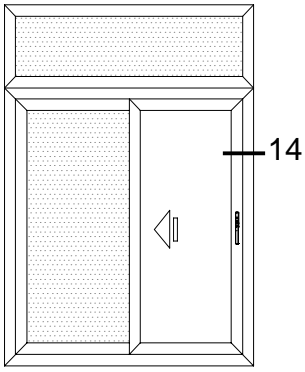


Ç
(INSIDE)

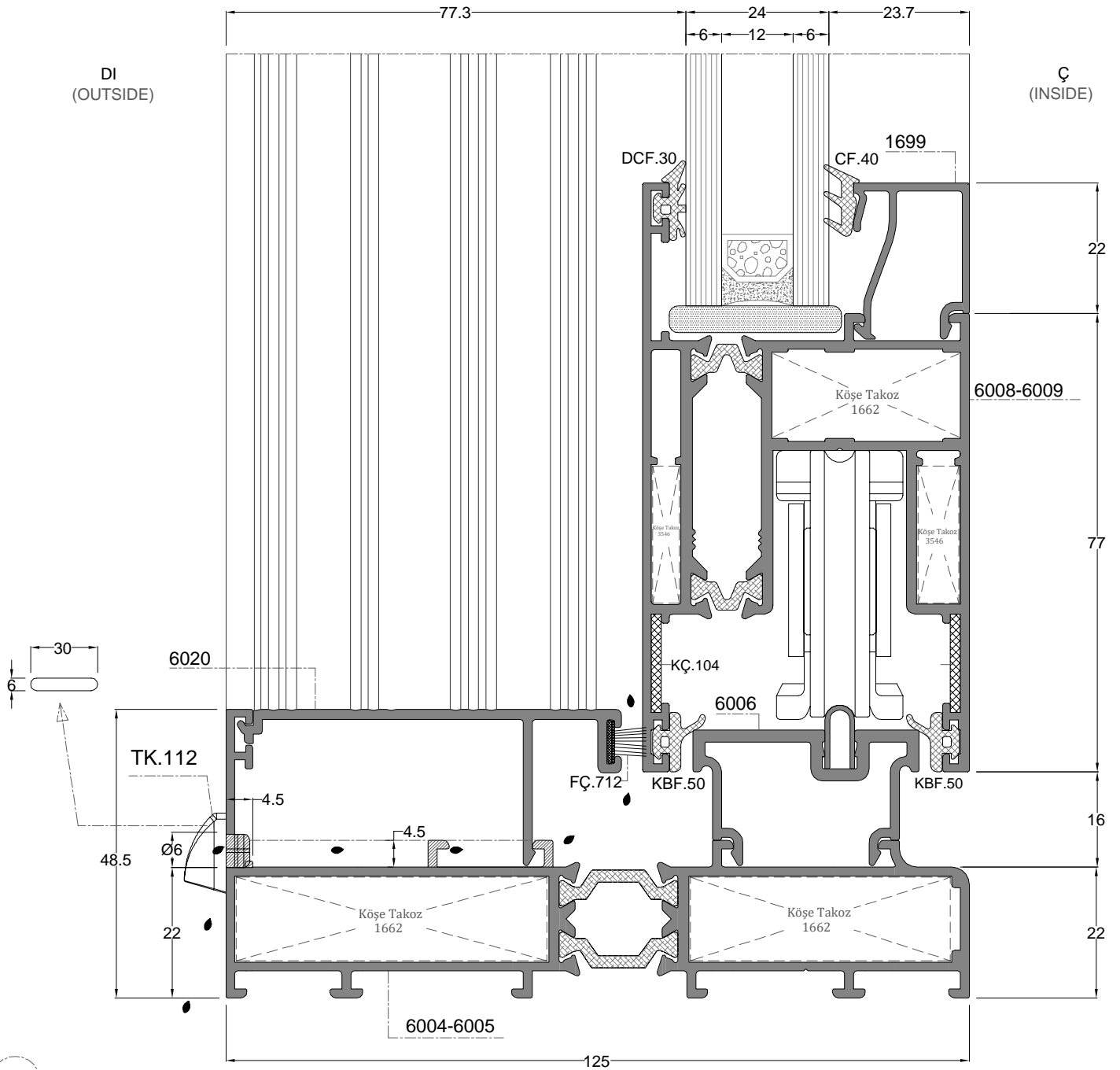
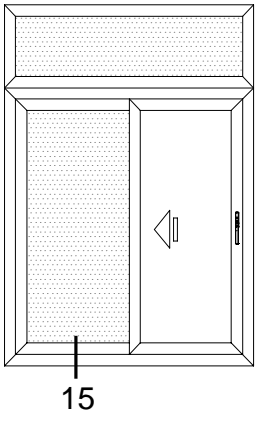


DI
(OUTSIDE)

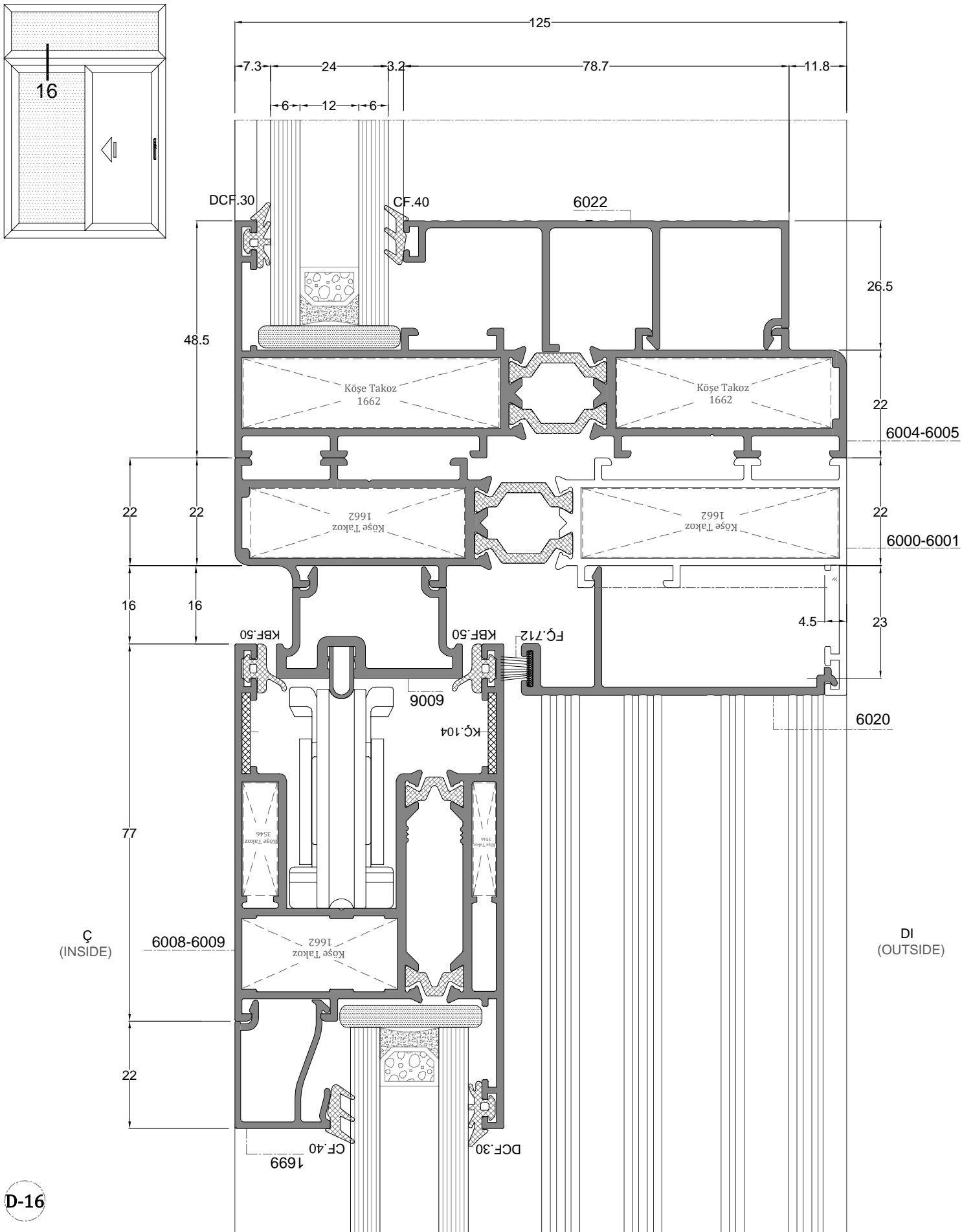
D-13



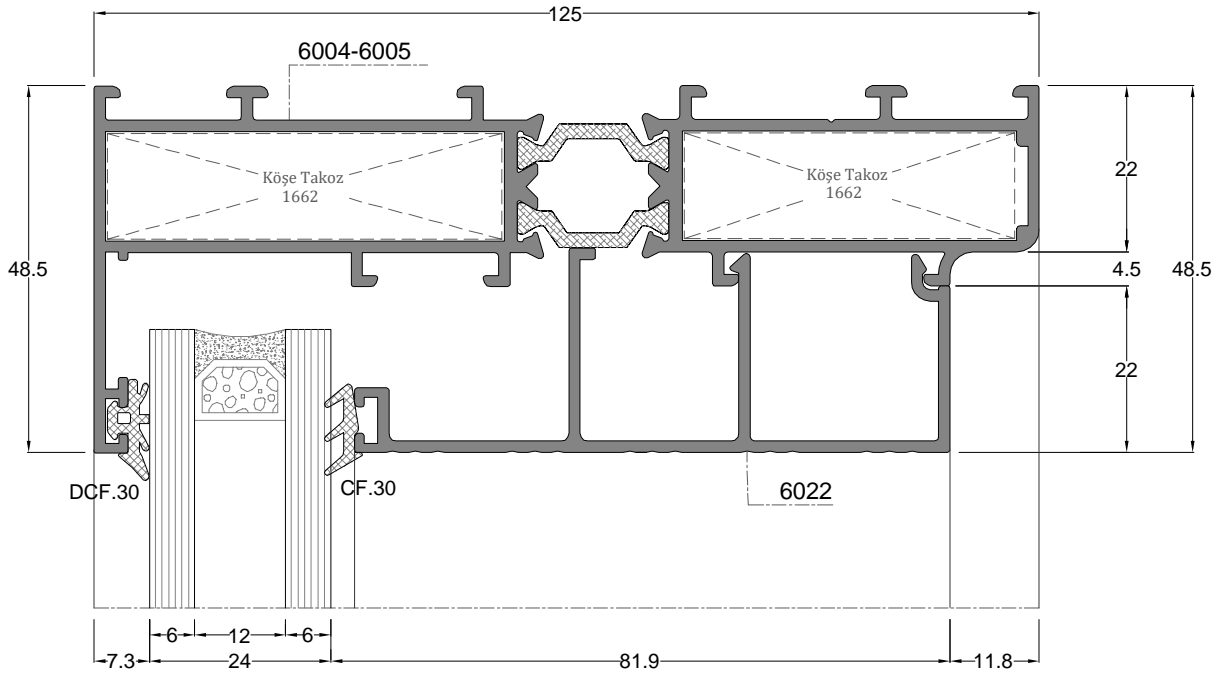
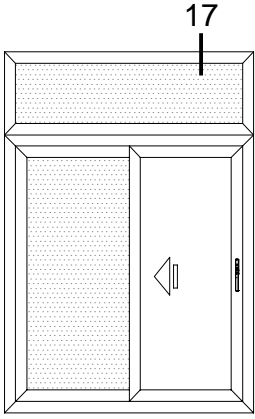
D-14



D-15



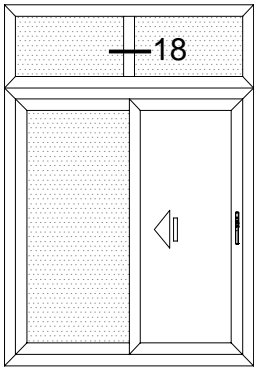
D-16



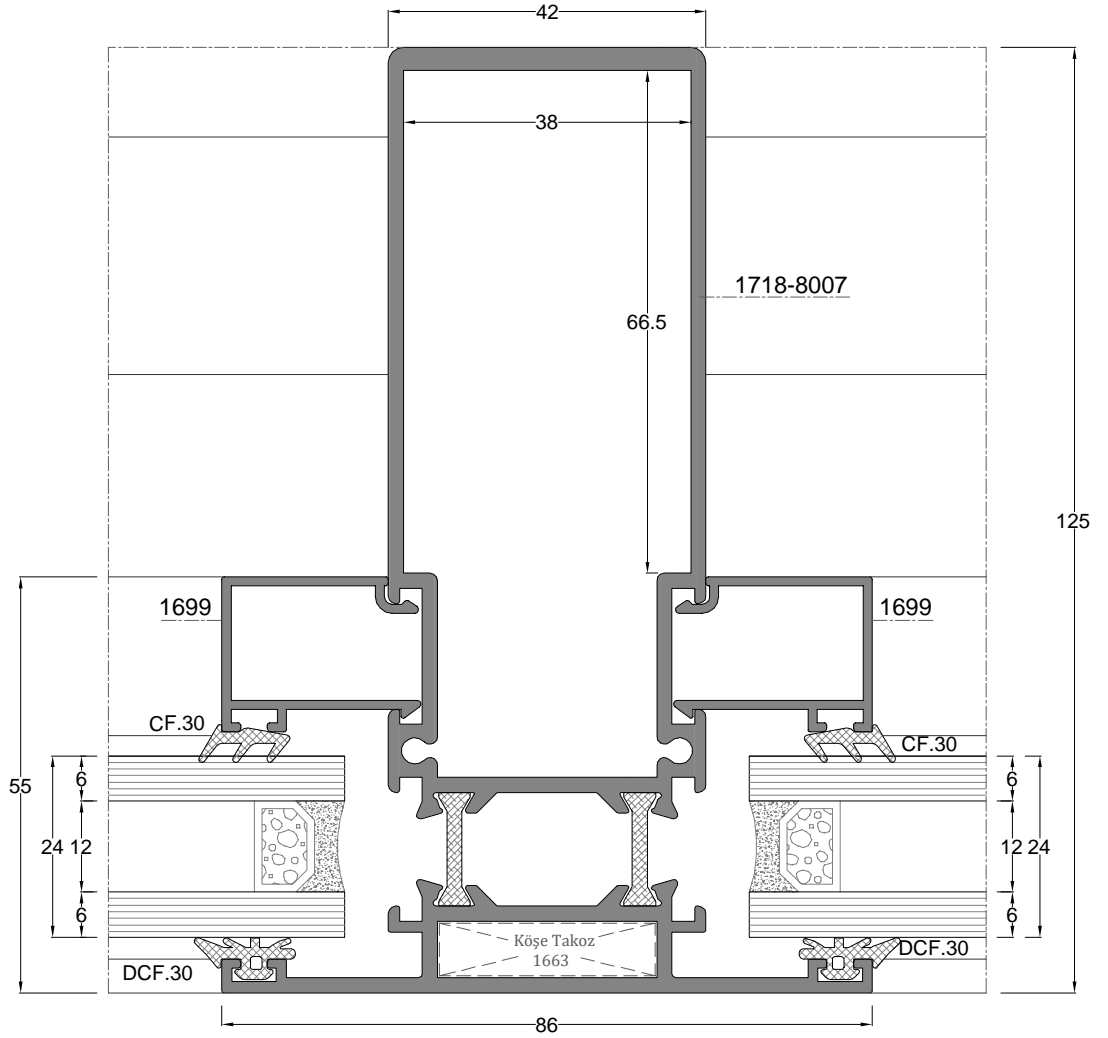
Ç
(INSIDE)

D1
(OUTSIDE)

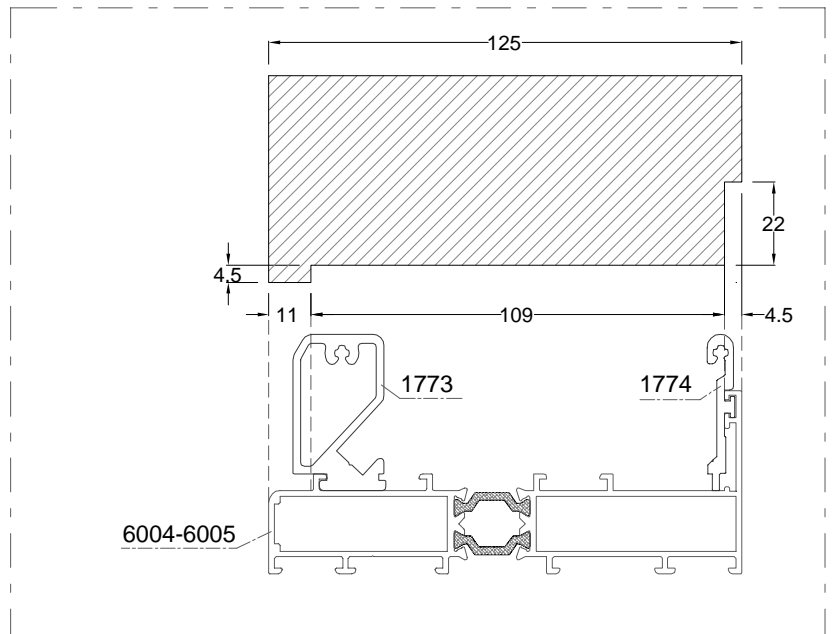
D-17



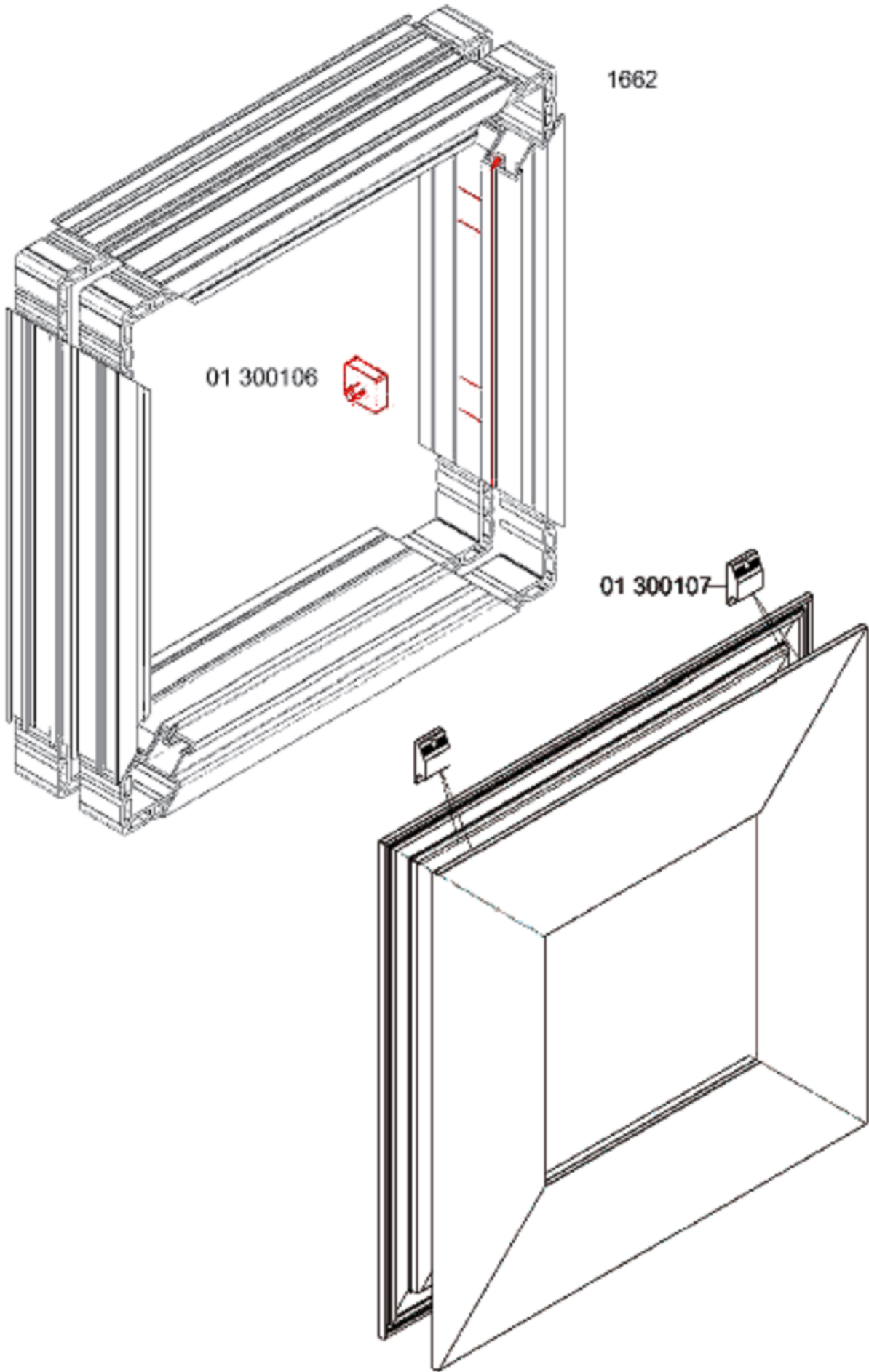
Ç
(INSIDE)



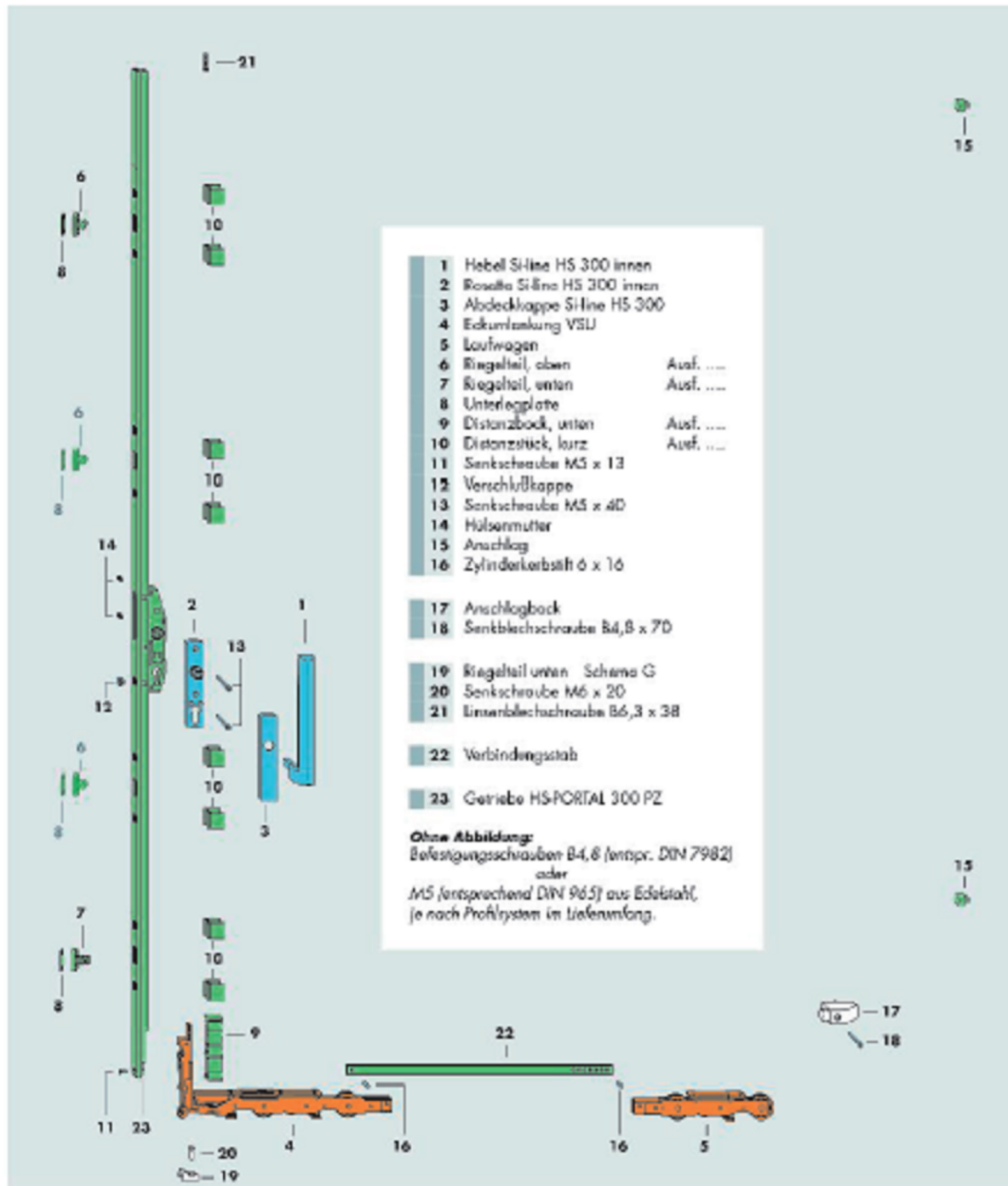
DI
(OUTSIDE)



D-18

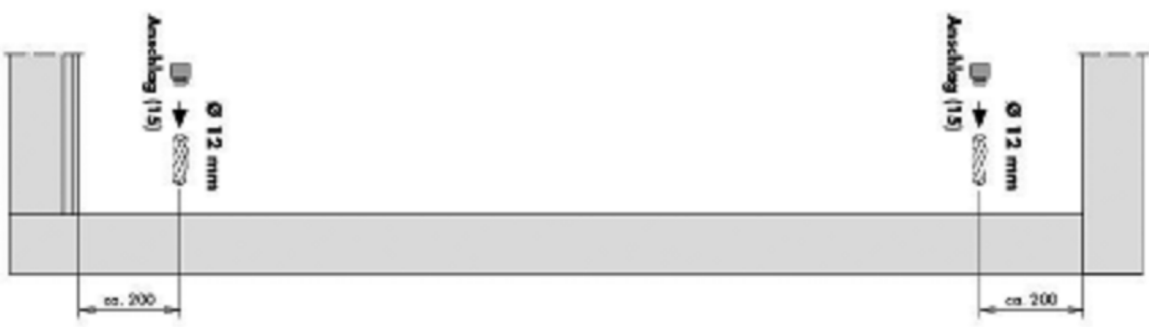
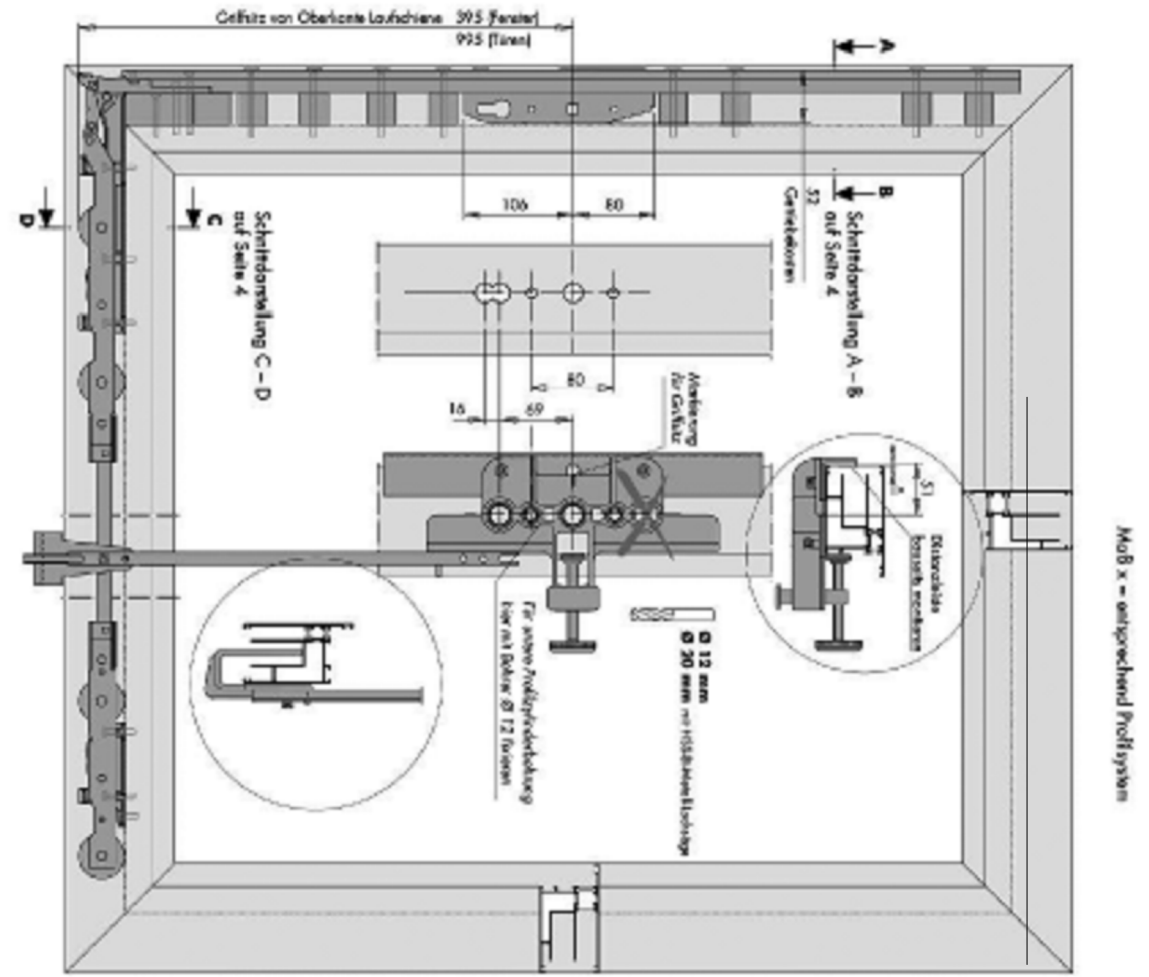
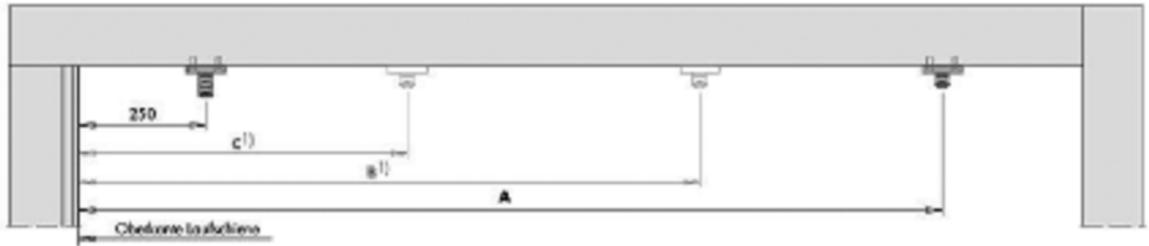


HS-PORTAL 300 LM Beschlag-Information Beschlagteile



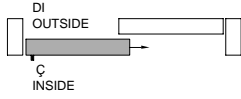
Flexibel durch optimierte Packeinheiten

- Hebel Si-line HS 300 innen (1) und Abdeckkappe Si-line HS 300 (3)
in weiß RAL 9016 – silber – si-braun lieferbar
- Grundbeschlagteile (4 bis 16) im Karton HS-PORTAL 300 LM (je nach Profilsystem)
- Flügelbreitenabhängig Verbindungsstab Gr. 150 bis 335 (22)
- Flügelhöhenabhängig Getriebe HS-PORTAL 300 PZ Gr. 170, 220 und 260 (23)

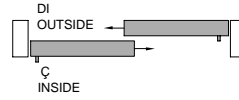


Überside	Mod A	Mod B	Mod C	Flügelbauart
Ø: 170	1000	600	-	1175 - 1275
Ø: 220	1400	1200	750	1275 - 1375
Ø: 340	1900	1200	750	1475 - 1575

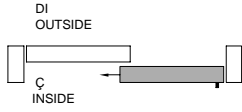
1) Auf Wunsch können 2-5-fach Flügelbauart, aber bei der zentralen Lüftungswahl angepasst werden.
 2) Bei nicht Profilsystem geringere Abweichungen möglich.



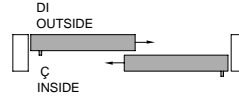
Scheme A



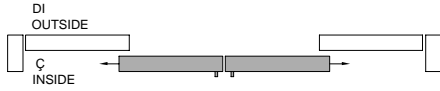
Scheme D



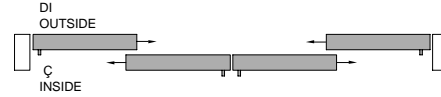
Scheme A



Scheme D



Scheme C



Scheme F

Scheme A				
H \ L	720 - 1620	1621 - 2120	2121 - 2620	2621 - 3350
900 - 1790	A1	A2	A3	A4
1791 - 2300	A5	A6	A7	A8
2301 - 2690	A9	A10	A11	A12
2690 - 2900	A13	A14	A15	A16
2900 - 3300	A17	A18	A19	A20

Scheme D				
H \ L	720 - 1620	1621 - 2120	2121 - 2620	2621 - 3350
900 - 1790	D1	D2	D3	D4
1791 - 2300	D5	D6	D7	D8
2301 - 2690	D9	D10	D11	D12
2690 - 2900	D13	D14	D15	D16
2900 - 3300	D17	D18	D19	D20

Scheme C				
H \ L	720 - 1620	1621 - 2120	2121 - 2620	2621 - 3350
900 - 1790	C1	C2	C3	C4
1791 - 2300	C5	C6	C7	C8
2301 - 2690	C9	C10	C11	C12
2690 - 2900	C13	C14	C15	C16
2900 - 3300	C17	C18	C19	C20

Scheme F				
H \ L	720 - 1620	1621 - 2120	2121 - 2620	2621 - 3350
900 - 1790	F1	F2	F3	F4
1791 - 2300	F5	F6	F7	F8
2301 - 2690	F9	F10	F11	F12
2690 - 2900	F13	F14	F15	F16
2900 - 3300	F17	F18	F19	F20