

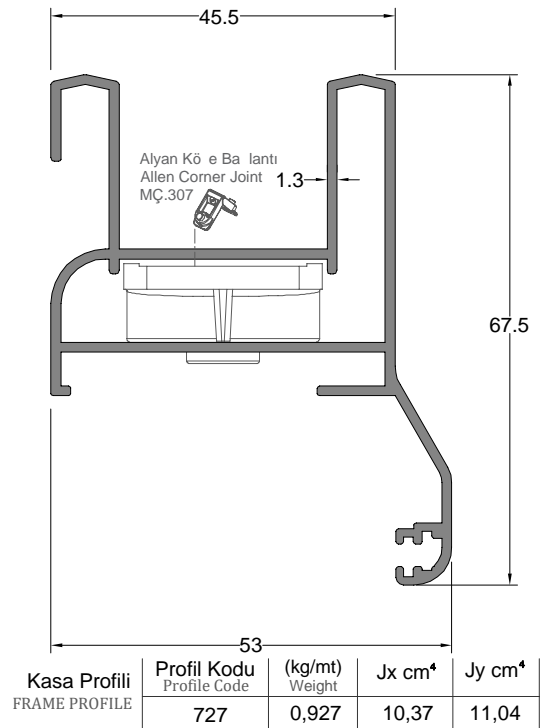
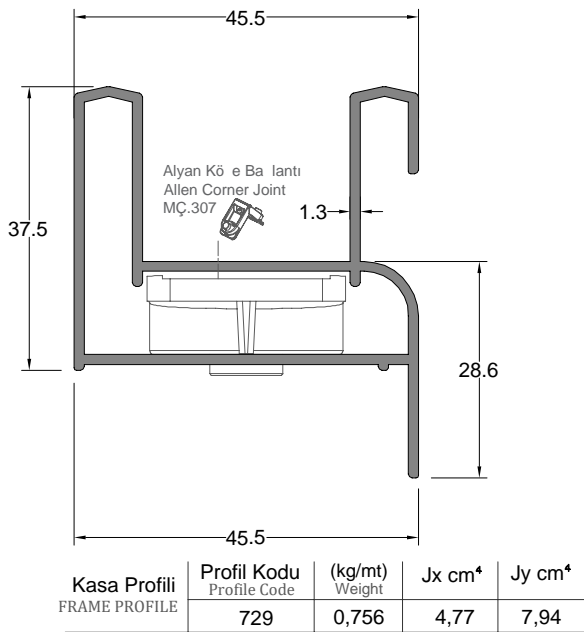
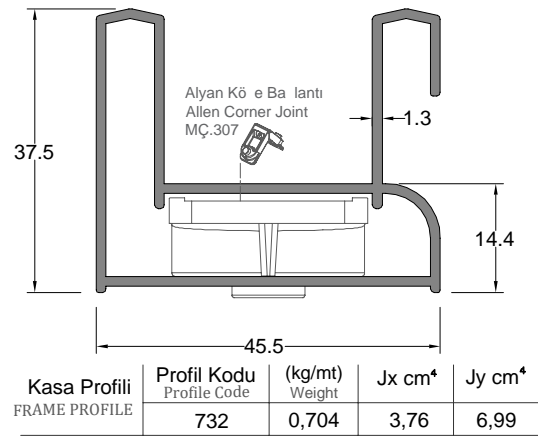
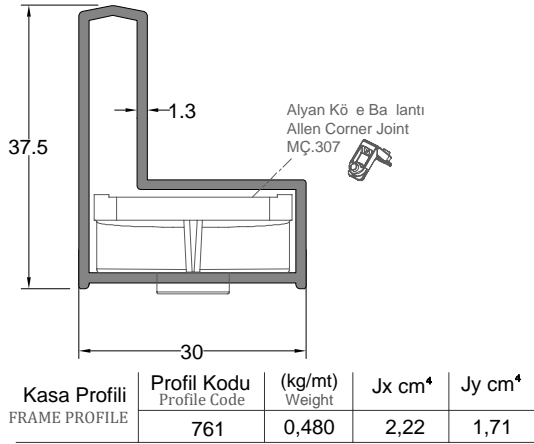
S28  
SÜRME S STEM  
(Sliding System)

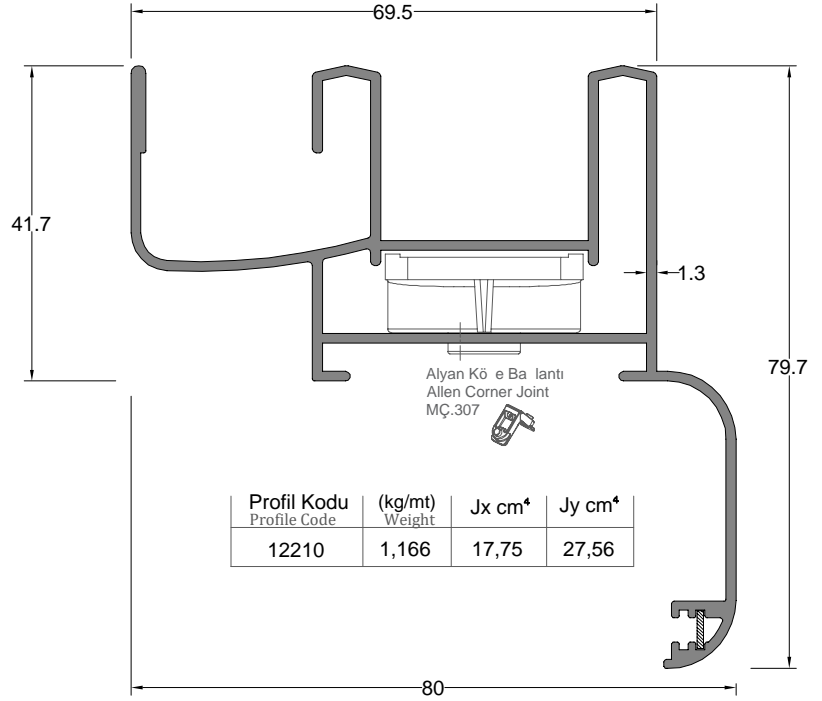
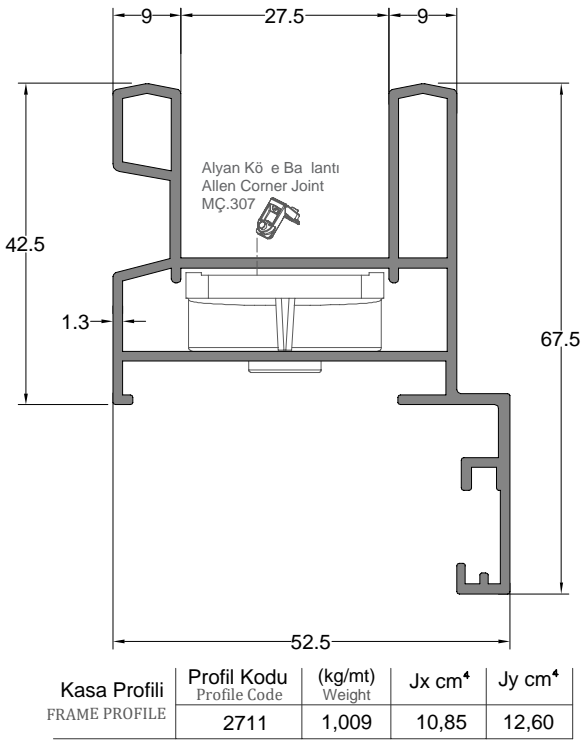
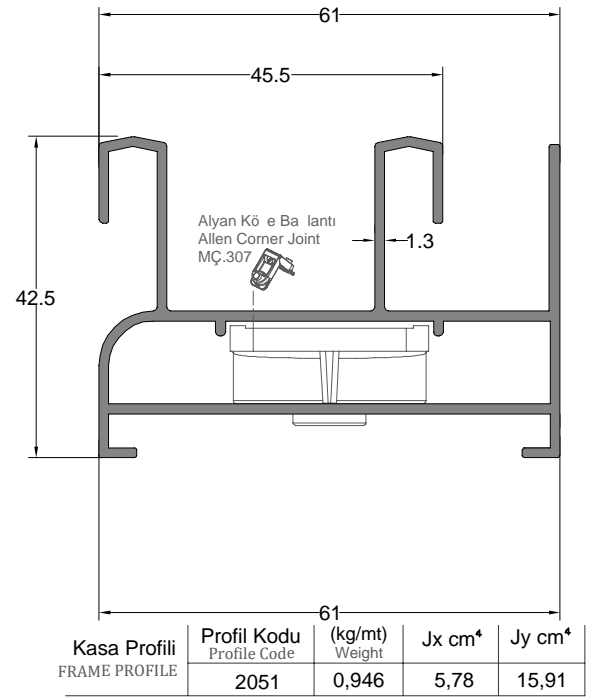
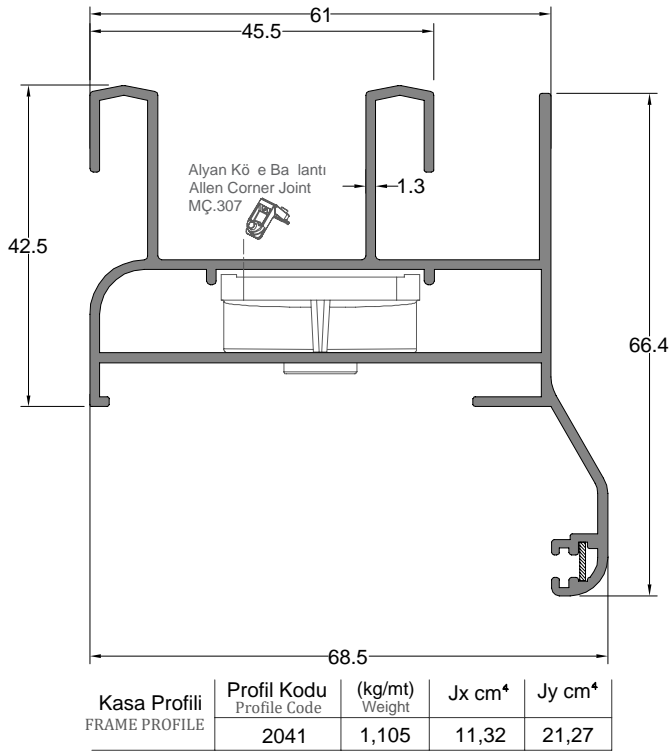
TAM ÖLÇEKL ALÜM NYUM PROF LLER  
(Full Scale Aluminum Profiles)

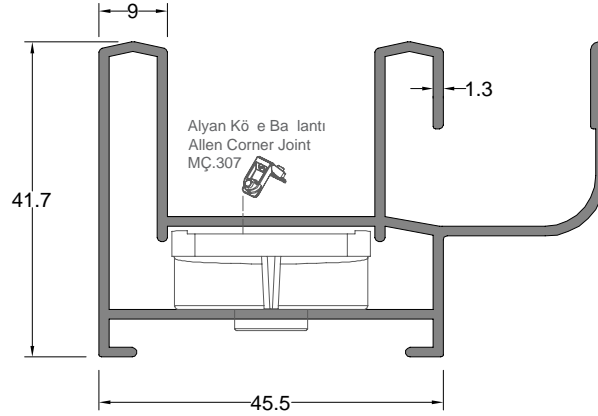
| PROF L KES T<br>PROFILE SECTION | PROF L KODU<br>PROFILE CODE | PROF L ADI<br>PROFILE NAME           | Jx cm <sup>4</sup>    | Jy cm <sup>4</sup>    | A IRLIK (kg/m)<br>WEIGHT |
|---------------------------------|-----------------------------|--------------------------------------|-----------------------|-----------------------|--------------------------|
|                                 | 761                         | KASA PROF L<br>FRAME PROFILE         | 2,22 cm <sup>4</sup>  | 1,71 cm <sup>4</sup>  | 0,480 kg/mt              |
|                                 | 732                         | KASA PROF L<br>FRAME PROFILE         | 3,76 cm <sup>4</sup>  | 6,99 cm <sup>4</sup>  | 0,704 kg/mt              |
|                                 | 729                         | KASA PROF L<br>FRAME PROFILE         | 4,77 cm <sup>4</sup>  | 7,94 cm <sup>4</sup>  | 0,756 kg/mt              |
|                                 | 727                         | KASA PROF L<br>FRAME PROFILE         | 10,37 cm <sup>4</sup> | 11,04 cm <sup>4</sup> | 0,927 kg/mt              |
|                                 | 2041                        | KASA PROF L<br>FRAME PROFILE         | 11,32 cm <sup>4</sup> | 21,27 cm <sup>4</sup> | 1,105 kg/mt              |
|                                 | 2051                        | KASA PROF L<br>FRAME PROFILE         | 5,78 cm <sup>4</sup>  | 15,91 cm <sup>4</sup> | 0,946 kg/mt              |
|                                 | 2711                        | KASA PROF L<br>FRAME PROFILE         | 10,85 cm <sup>4</sup> | 12,60 cm <sup>4</sup> | 1,009 kg/mt              |
|                                 | 12210                       | KASA PROF L<br>FRAME PROFILE         | 17,75 cm <sup>4</sup> | 27,56 cm <sup>4</sup> | 1,166 kg/mt              |
|                                 | 2940                        | KASA PROF L<br>FRAME PROFILE         | 10,85 cm <sup>4</sup> | 12,60 cm <sup>4</sup> | 0,936 kg/mt              |
|                                 | 6236                        | KASA PROF L<br>FRAME PROFILE         | 10,85 cm <sup>4</sup> | 12,60 cm <sup>4</sup> | 0,966 kg/mt              |
|                                 | 730                         | KANAT PROF L<br>SASH PROFILE         | 7,34 cm <sup>4</sup>  | 3,13 cm <sup>4</sup>  | 0,644 kg/mt              |
|                                 | 754                         | KANAT PROF L<br>SASH PROFILE         | 6,41 cm <sup>4</sup>  | 3,03 cm <sup>4</sup>  | 0,664 kg/mt              |
|                                 | 757                         | KANAT PROF L<br>SASH PROFILE         | 8,38 cm <sup>4</sup>  | 3,25 cm <sup>4</sup>  | 0,703 kg/mt              |
|                                 | 753                         | KANAT PROF L<br>SASH PROFILE         | 7,73 cm <sup>4</sup>  | 2,89 cm <sup>4</sup>  | 0,707 kg/mt              |
|                                 | 753                         | KANAT PROF L<br>SASH PROFILE         | -                     | -                     | 0,434 kg/mt              |
|                                 | 775                         | ADAPTÖR PROF L<br>ADAPTER PROFILE    | -                     | -                     | 0,229                    |
|                                 | 731                         | KENET PROF L<br>INTERLOCKING PROFILE | -                     | -                     | 0,291                    |
|                                 | 756                         | ADAPTÖR PROF L<br>ADAPTER PROFILE    | -                     | -                     | 0,150                    |
|                                 |                             |                                      |                       |                       |                          |
|                                 |                             |                                      |                       |                       |                          |
|                                 |                             |                                      |                       |                       |                          |

| AKSESUAR<br>ACCESSORY   | STOK KODU<br>REFERENCE CODE | AKSESUAR ADI<br>DESCRIPTION                      | AKSESUAR KODU<br>PRODUCT CODE | PAKET<br>PACK              |
|---|-----------------------------|--|-------------------------------|----------------------------|
|    | 03 011230                   | Ç CAM F T L<br>INNER GLAZING GASKET              | CF.30                         | 280 mt / paket<br>10 kg/mt |
|    | 03 011231                   | Ç CAM F T L<br>INNER GLAZING GASKET              | CF.40                         | 220 mt / paket<br>10 kg/mt |
|    | 03 010732                   | Ç CAM F T L<br>INNER GLAZING GASKET              | CF.50                         | 185 mt / paket<br>10 kg/mt |
|     | 01 071012                   | SÜRME PAR ZYEN KOL<br>SLIDING HANDLE (PARISIANA) | PK.12                         | 1 ad / paket               |
|     | 01 050351                   | SÜRME KOL<br>SLIDING HANDLE                      | SK.351                        | 1 ad / paket               |
|     | 01 050352                   | SÜRME ÇEKME KOL<br>SLIDING HANDLE                | SK.352                        | 1 ad / paket               |
|    | 01 050350                   | SÜRME BORU KOL<br>SLIDING HANDLE                 | SK.350                        | 1 ad / paket               |
|  | 05 010903                   | SÜRME K L T<br>SLIDING LOCK                      | SK.903                        | 1 ad / paket               |
|   | 05 010907                   | ANAHTARLI SÜRME K L T<br>SLIDING LOCK            | SK.907                        | 1 ad / paket               |
|  | 01 130307                   | ALYAN KÖ E BA LANTI<br>ALLEN CORNER JOINT        | MÇ.307                        | 250 ad / paket             |
|  | 01 130308                   | ALYAN KÖ E BA LANTI<br>ALLEN CORNER JOINT        | MÇ.308                        | 250 ad / paket             |
|   | 01 110208                   | ALT HAVA KES C<br>BOTTOM AIR BLOCKER             | AHK.208                       | 100 ad / paket             |
|  | 01 110222                   | ORTA KAYIT BA LANTI<br>MULLION CONNECTION        | OKB.222                       | 100 ad / paket             |

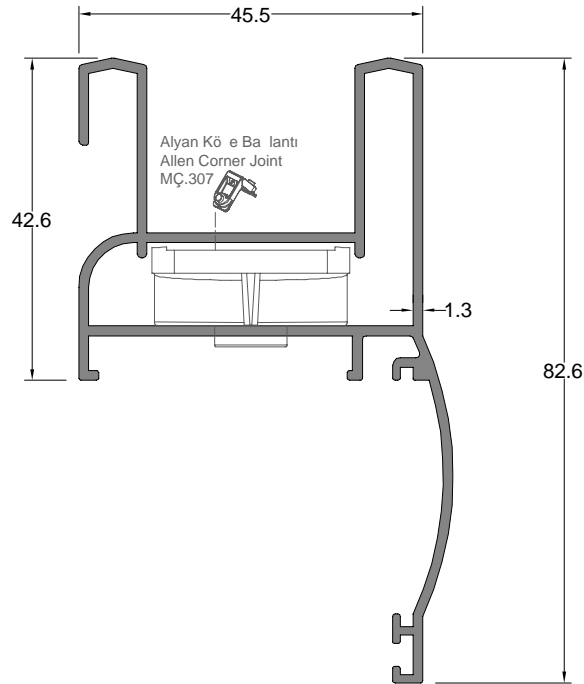
| AKSESUAR<br>ACCESSORY   | STOK KODU<br>REFERENCE CODE | AKSESUAR ADI<br>DESCRIPTION                        | AKSESUAR KODU<br>PRODUCT CODE | PAKET<br>PACK             |
|---|-----------------------------|--|-------------------------------|---------------------------|
|     | 01 110207                   | KENET KAPAK<br>INTERLOCKING CAP                    | YK.207                        | 100 ad / paket            |
|    | 01 110209                   | KANAT STOPER<br>SASH STOPPER                       | SP.209                        | 100 ad / paket            |
|    | 01 130332                   | KASA STOPER<br>FRAME STOPPER                       | SP.332                        | 100 ad / paket            |
|    | 01 110140                   | ALÜM NYUM Ç FTL RULMAN<br>ALUMINIUM ROLLER(DOUBLE) | ÇR.140                        | 200 ad / paket            |
|   | 01 130318                   | KÖ E GÖNYE<br>CORNER BRACKET                       | KG.318                        | 1000 ad / paket           |
|  | 04 105070                   | S NEKL K KÖ E TAKOZ<br>SCREENING CORNER WEDGE      | ST.70                         | 100 ad / paket            |
|  | 04 105060                   | S NEKL K RULMAN<br>SCREENING ROLLER                | SR.60                         | 100 ad / paket            |
|   | 04 060080 - 80cm            | S NEKL K TÜLÜ<br>SCREENING NET                     | STF.80                        | 24 m <sup>2</sup> / paket |
|   | 04 060100 - 100cm           |  | STF.100                       | 30 m <sup>2</sup> / paket |
|   | 04 060120 - 120cm           |  | STF.120                       | 36 m <sup>2</sup> / paket |
|   | 04 060140 - 140cm           |  | STF.140                       | 44 m <sup>2</sup> / paket |
|   | 04 060160 - 160cm           |  | STF.160                       | 48 m <sup>2</sup> / paket |
|  | 03 020114                   | S NEKL K F T L<br>SCREENING GASKET                 | SF.114                        | 100 mt / paket            |
|   | 03 020115                   |  | SF.115                        |                           |
|   | 03 020116                   |  | SF.116                        |                           |
|  | 03 050711                   | FIRÇA F T L<br>WEATHER STRIP                       | FÇ.711                        | 250 mt / paket            |
|   |                             |  |                               |                           |



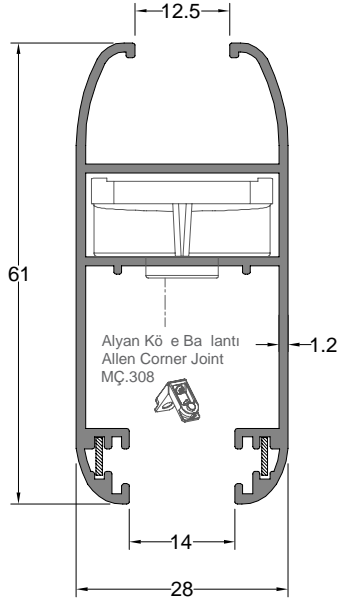




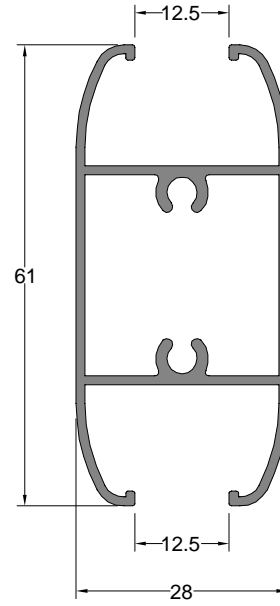
| Kasa Profili<br>FRAME PROFILE | Profil Kodu<br>Profile Code | (kg/mt)<br>Weight | Jx cm <sup>4</sup> | Jy cm <sup>4</sup> |
|-------------------------------|-----------------------------|-------------------|--------------------|--------------------|
|                               | 2940                        | 0,936             | 5,13               | 16,41              |



| Kasa Profili<br>FRAME PROFILE | Profil Kodu<br>Profile Code | (kg/mt)<br>Weight | Jx cm <sup>4</sup> | Jy cm <sup>4</sup> |
|-------------------------------|-----------------------------|-------------------|--------------------|--------------------|
|                               | 6236                        | 0,966             | 14,81              | 10,77              |

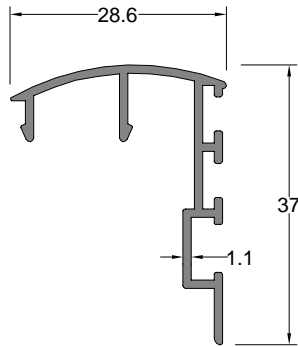


| Kanat Profili<br>SASH PROFILE | Profil Kodu<br>Profile Code | (kg/mt)<br>Weight | Jx cm <sup>4</sup> | Jy cm <sup>4</sup> |
|-------------------------------|-----------------------------|-------------------|--------------------|--------------------|
|                               | 757                         | 0,703             | 8,38               | 3,25               |

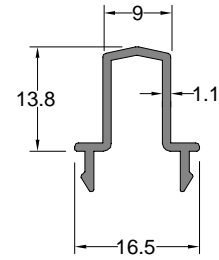


(757 ile kullanılır.)

| Kanat Profili<br>SASH PROFILE | Profil Kodu<br>Profile Code | (kg/mt)<br>Weight | Jx cm <sup>4</sup> | Jy cm <sup>4</sup> |
|-------------------------------|-----------------------------|-------------------|--------------------|--------------------|
|                               | 753                         | 0,707             | 7,73               | 2,89               |



| Kenet Profili<br>INTERLOCKING PROFILE | Profil Kodu<br>Profile Code | (kg/mt)<br>Weight |
|---------------------------------------|-----------------------------|-------------------|
|                                       | 731                         | 0,291             |

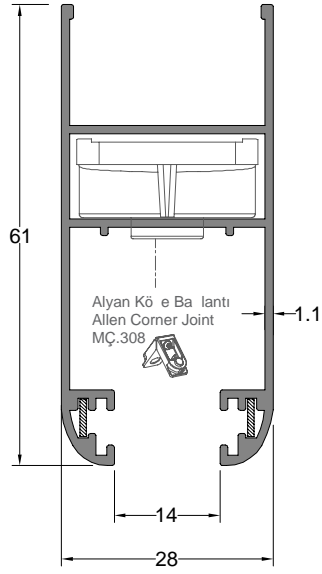


| Adaptör Profili<br>ADAPTER PROFILE | Profil Kodu<br>Profile Code | (kg/mt)<br>Weight |
|------------------------------------|-----------------------------|-------------------|
|                                    | 756                         | 0,154             |

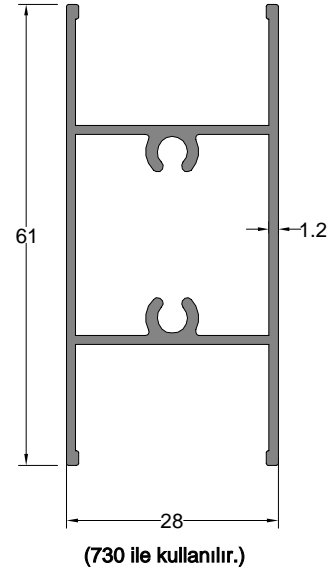
|   |     |     |     |     |
|---|-----|-----|-----|-----|
| ★ | 757 | 753 | 731 | 756 |
|---|-----|-----|-----|-----|

Tablodaki profiller birbiri ile çalışmaktadır.  
Profiles in the table work with each other.

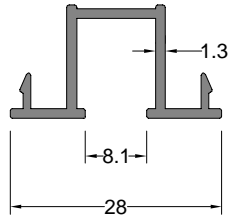




| Kanat Profili<br>SASH PROFILE | Profil Kodu<br>Profile Code | (kg/mt)<br>Weight | Jx cm <sup>4</sup> | Jy cm <sup>4</sup> |
|-------------------------------|-----------------------------|-------------------|--------------------|--------------------|
|                               | 730                         | 0,644             | 7,34               | 3,13               |

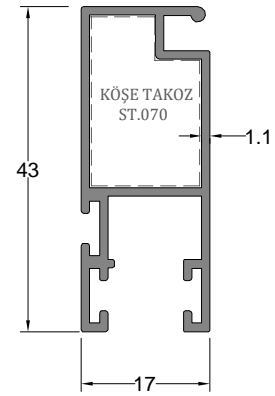


| Kanat Profili<br>SASH PROFILE | Profil Kodu<br>Profile Code | (kg/mt)<br>Weight | Jx cm <sup>4</sup> | Jy cm <sup>4</sup> |
|-------------------------------|-----------------------------|-------------------|--------------------|--------------------|
|                               | 754                         | 0,664             | 6,41               | 3,03               |



(730,754 ile kullanılır.)

| Adaptör Profili<br>ADAPTER PROFILE | Profil Kodu<br>Profile Code | (kg/mt)<br>Weight |
|------------------------------------|-----------------------------|-------------------|
|                                    | 775                         | 0,229             |

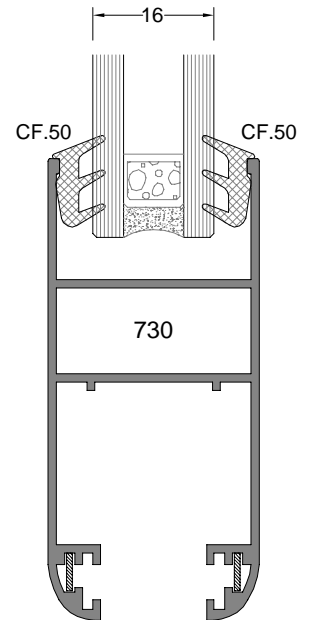
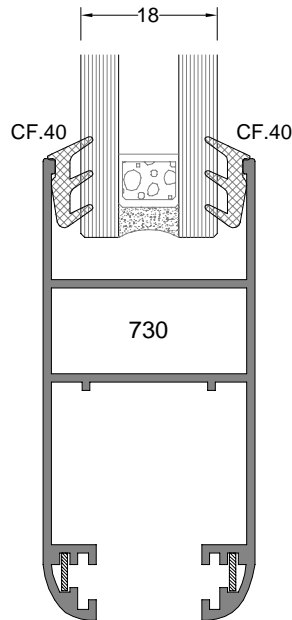
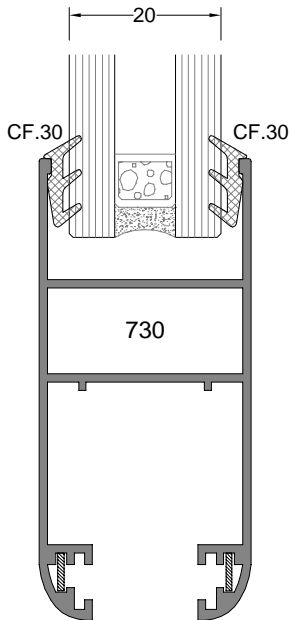
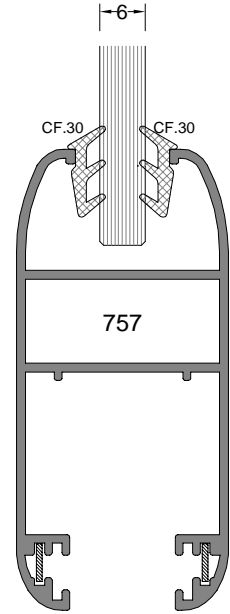
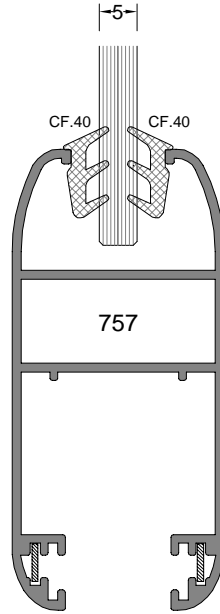
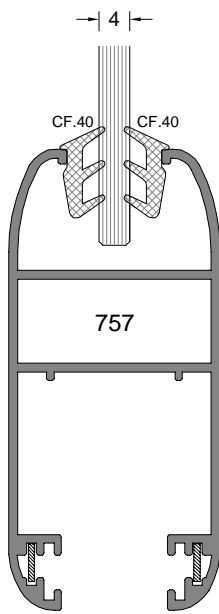


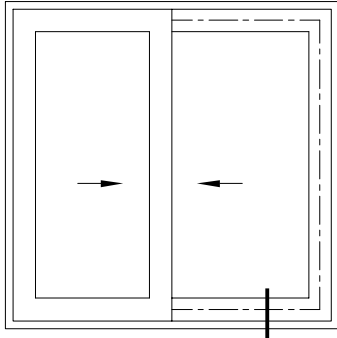
| Kanat Profili<br>SASH PROFILE | Profil Kodu<br>Profile Code | (kg/mt)<br>Weight |
|-------------------------------|-----------------------------|-------------------|
|                               | 1243                        | 0,434             |



|     |     |     |     |     |
|-----|-----|-----|-----|-----|
| 730 | 754 | 731 | 756 | 775 |
|-----|-----|-----|-----|-----|

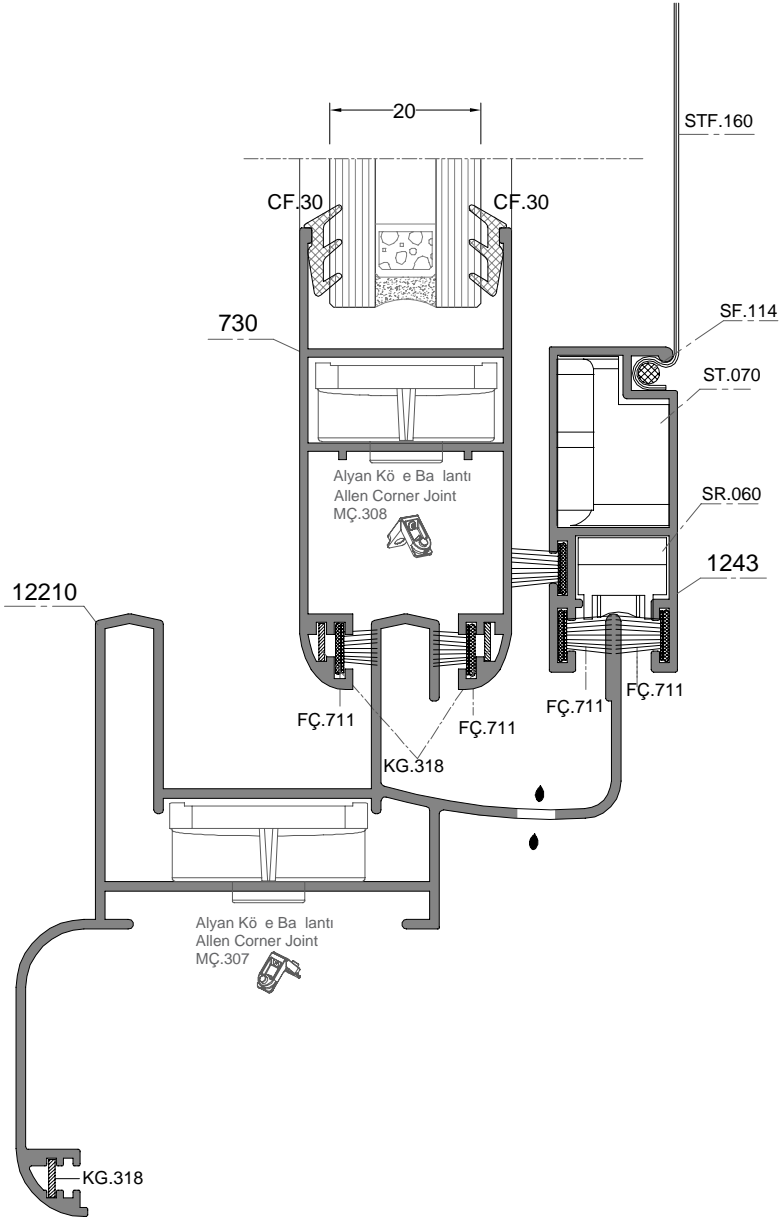
Tablodaki profiller birbiri ile çalışmaktadır.  
Profiles in the table work with each other.





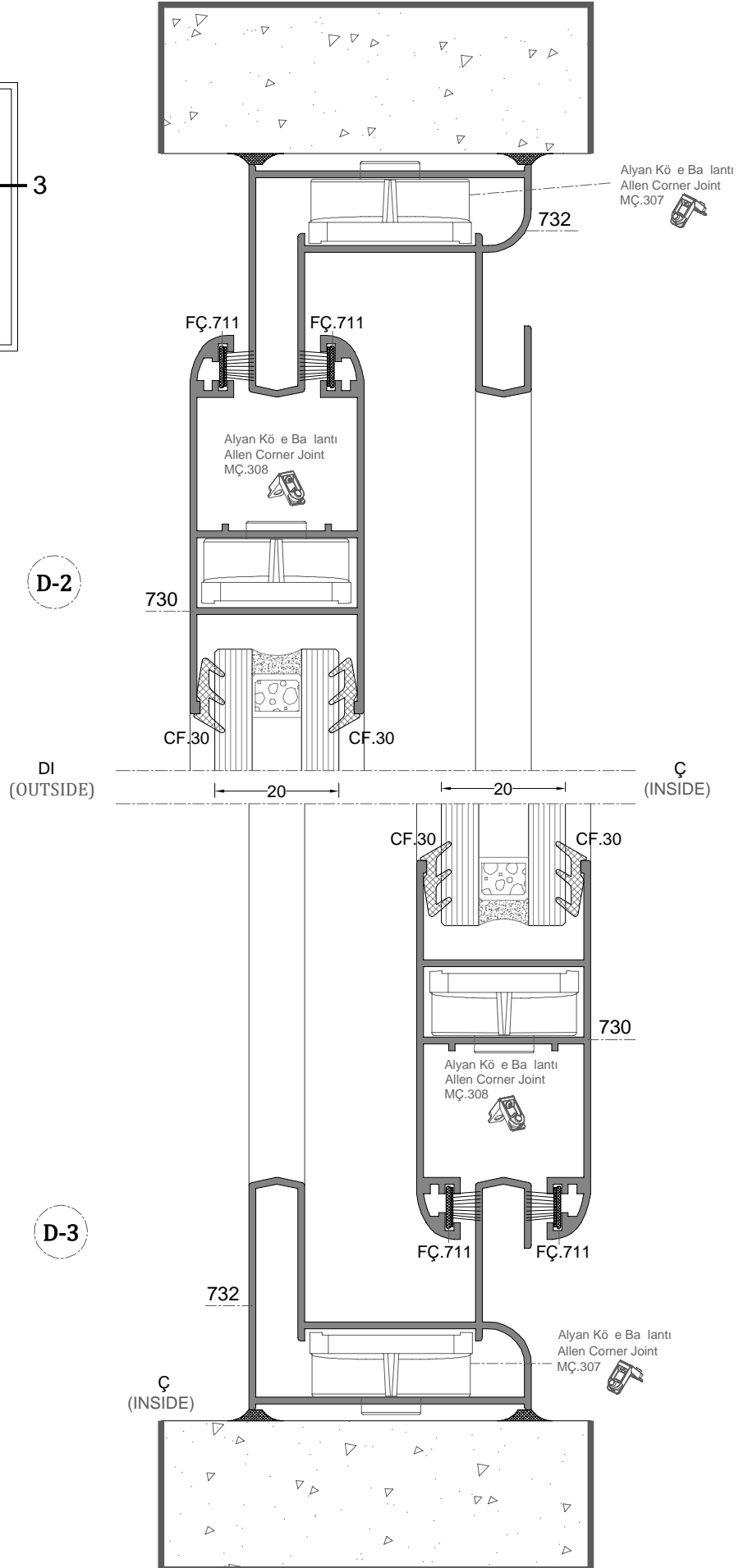
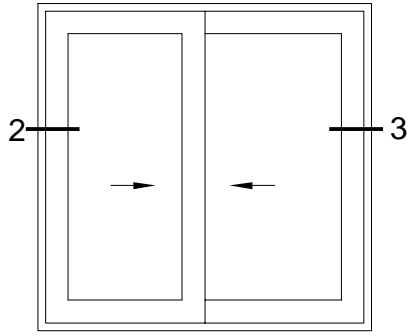
1

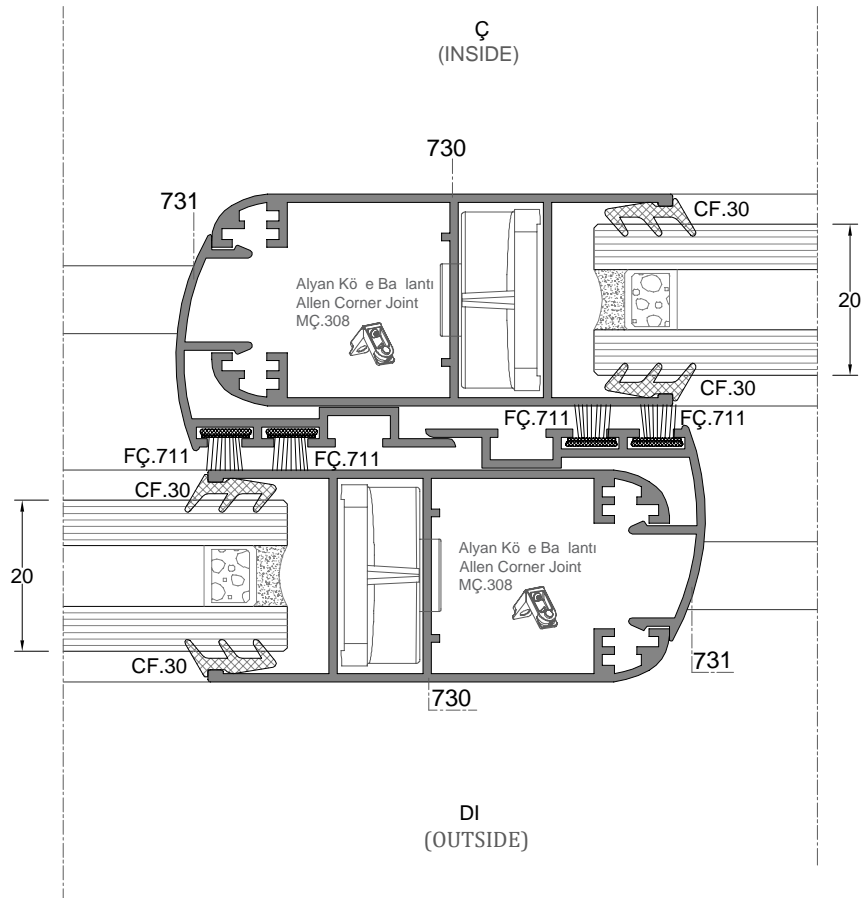
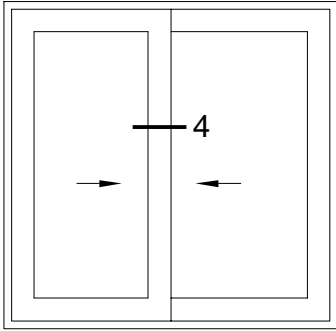
Ç  
(INSIDE)



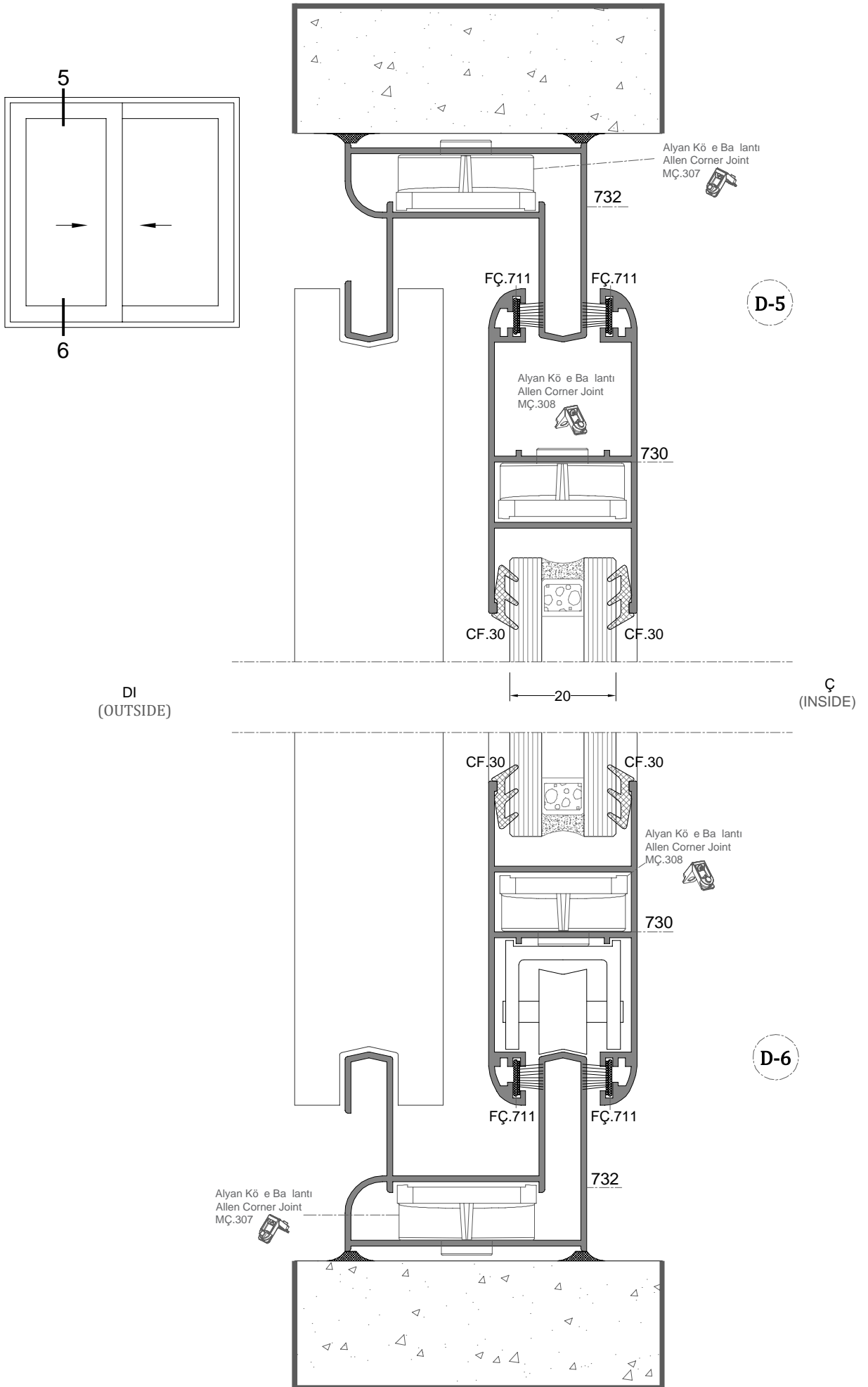
DI  
(OUTSIDE)

D-1



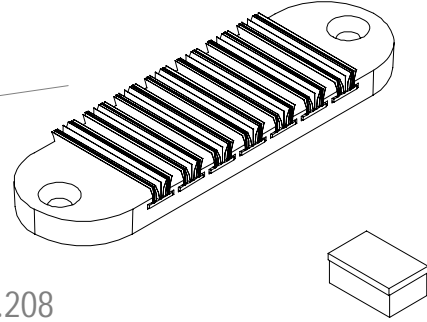
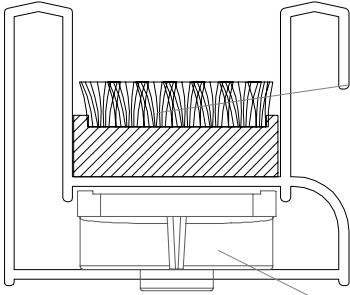


D-4

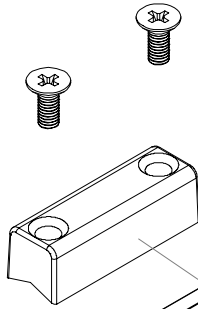


# 732

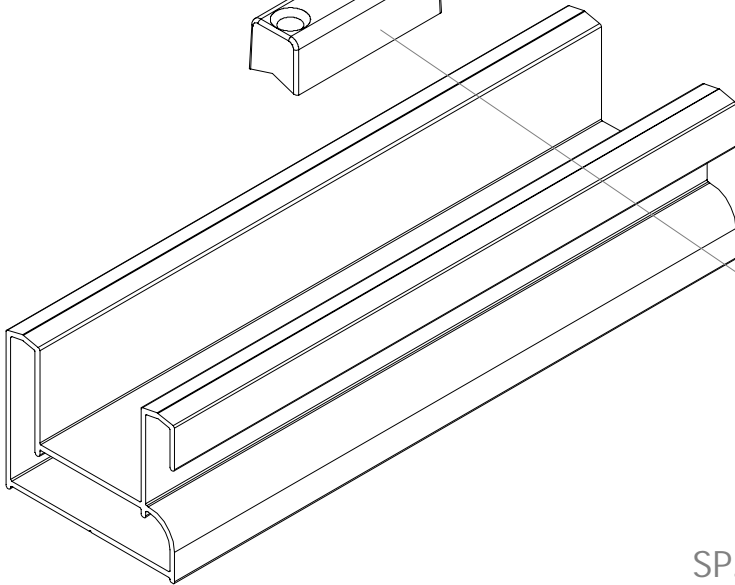
0.704 kg/m



AHK.208  
Alt Hava Kesici  
Bottom Air Blocker



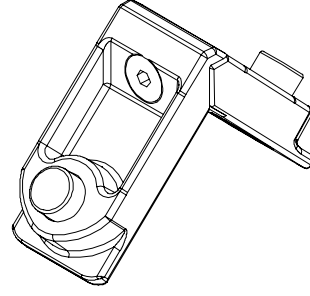
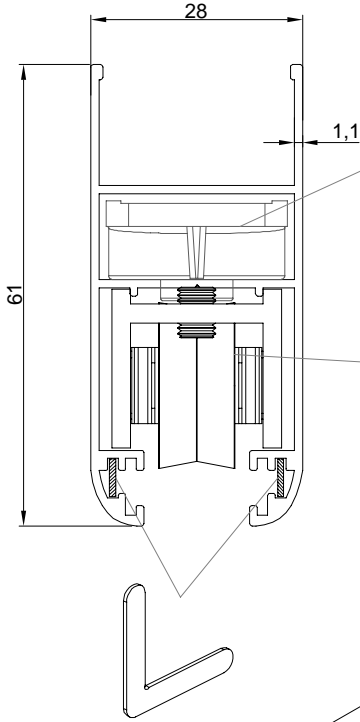
MÇ.307  
Alyan Kö e Ba lantı  
Allen Corner Joint



SP.332  
Kasa Stoper  
Frame Stopper

# 730

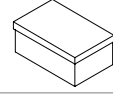
0.644 kg/m



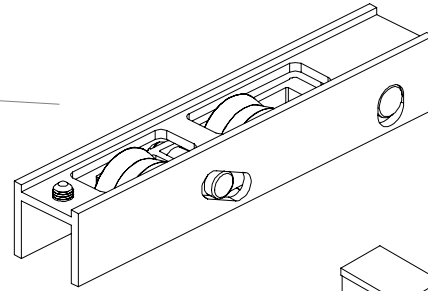
MÇ.308

Alyan Kö e Ba lantrı

Allen Corner Joint



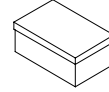
250 pcs



ÇR.140

Aluminyum Çiftli Rulman

Aluminium Roller(Double)

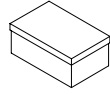


160 pcs

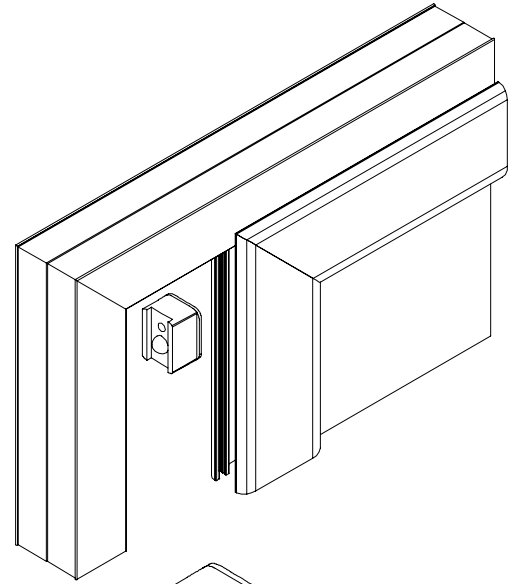
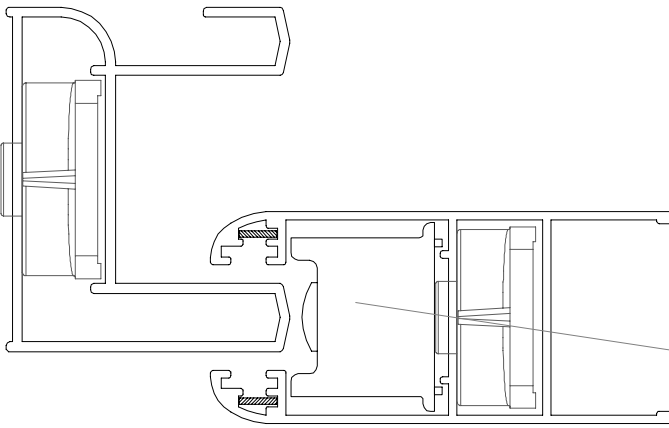
KG.318

Kö e Gönye

Corner Bracket



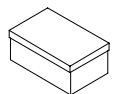
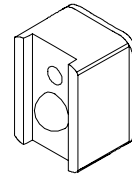
1000 pcs



SP.209

Kanat Stoper

Sash Stopper

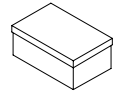
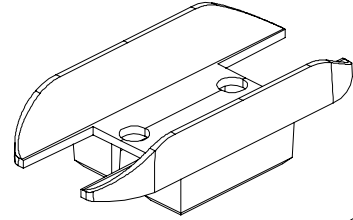
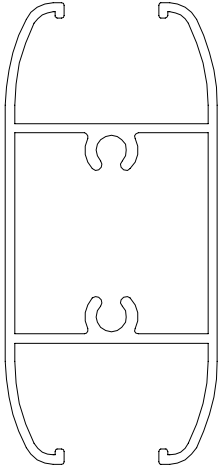


100 pcs



# 753

0.707 kg/m

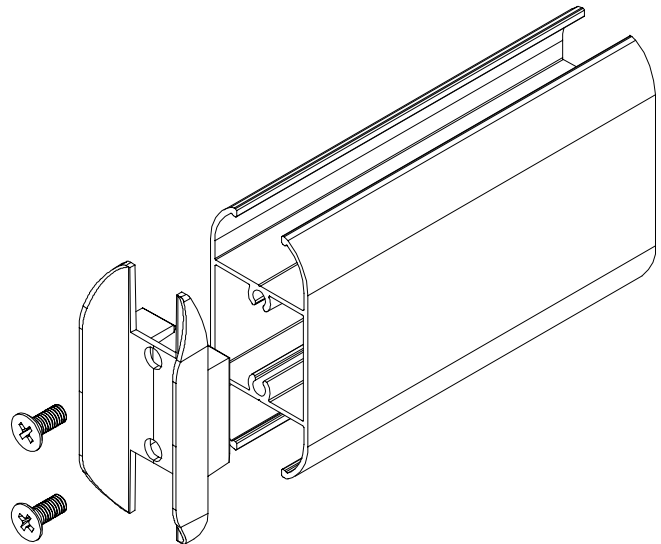
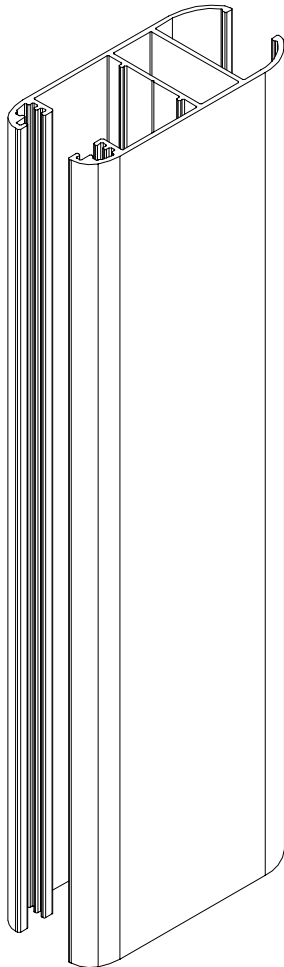


OKB.222

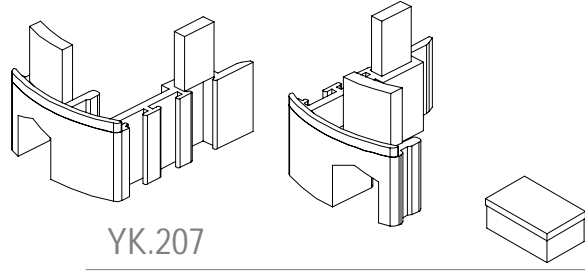
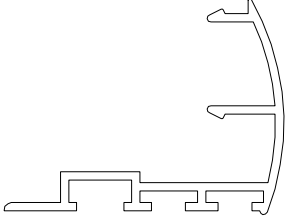
Orta Kayıt Ba lantı

100 pcs

Mullion Connection



**731**  
0.291 kg/m

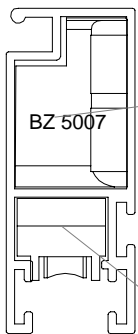


YK.207

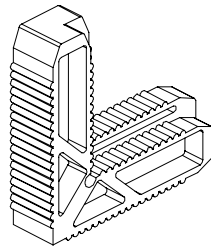
Kenet Kapak  
Interlocking Cap

100 pcs

**1243**  
0.434 kg/m



BZ 5007

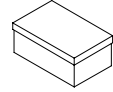
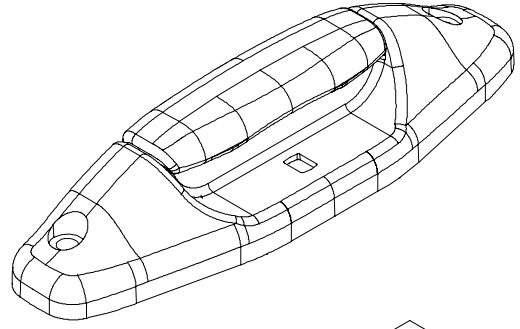


ST.70

Sineklik Kö e Takoz  
Screening Corner Wedge

SR.60

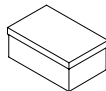
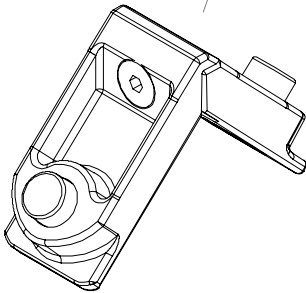
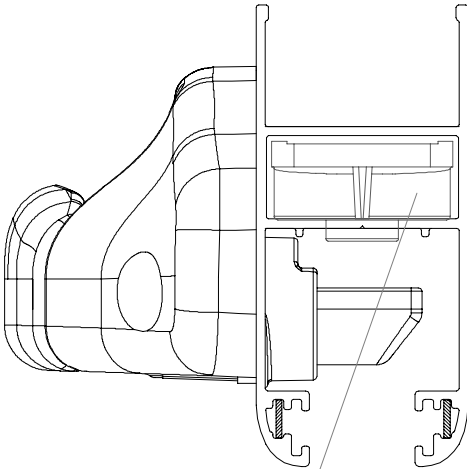
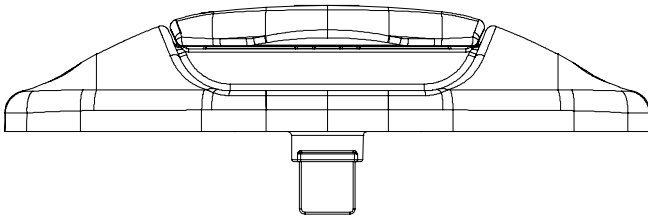
Sineklik Rulman  
Screening Roller



PK.12

Parizyen Kol

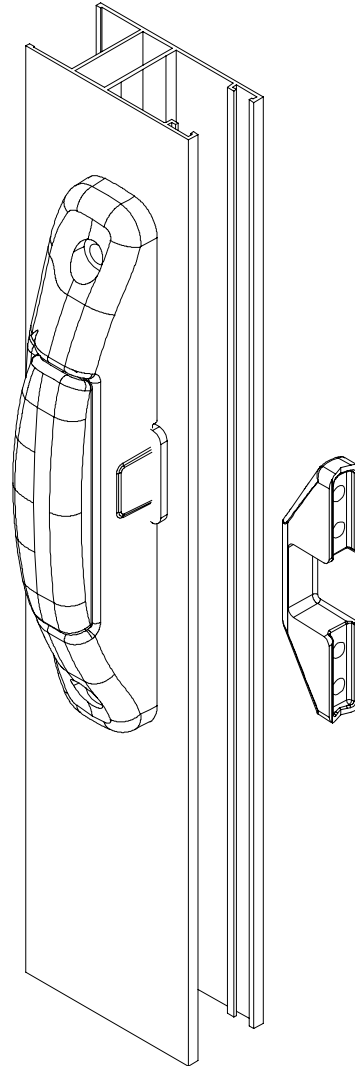
Sliding Handles(Parisiana)

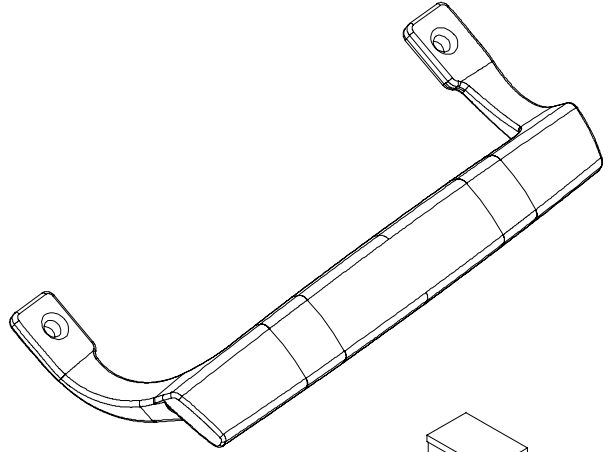
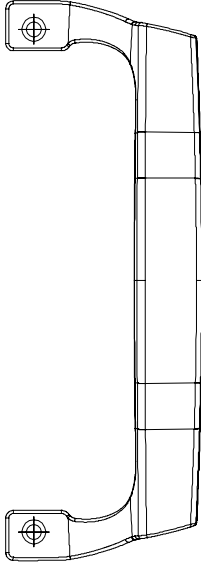


MS.04

Alyan Kö e Ba lantı

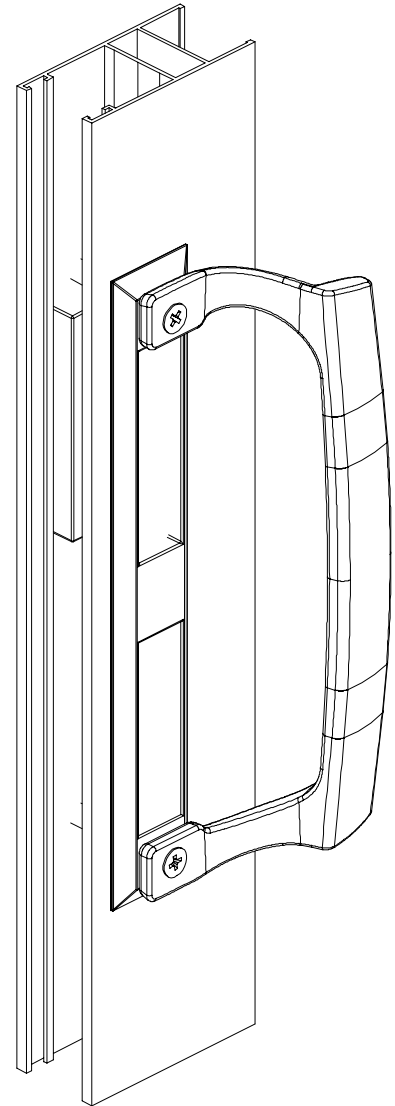
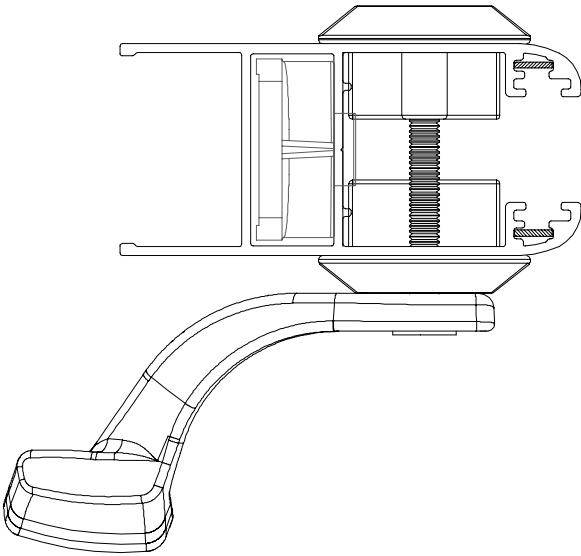
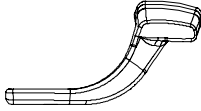
Allen Corner Joint

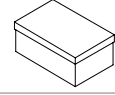
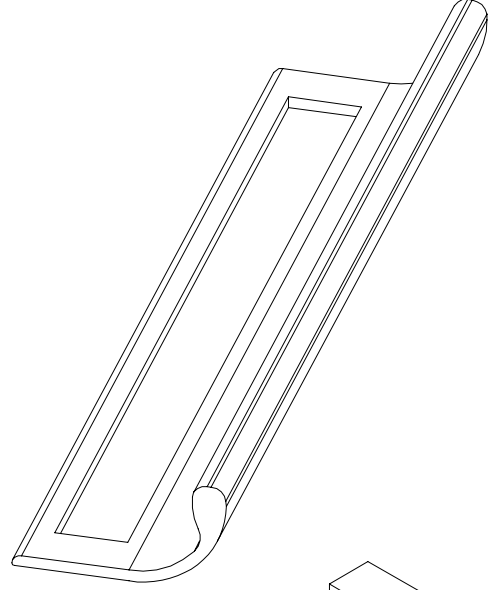
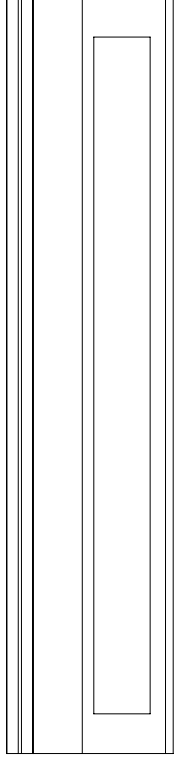




SK.351

Sürme Kol  
Sliding Handles

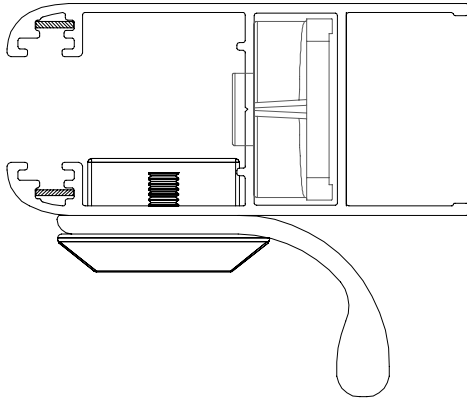
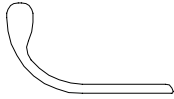


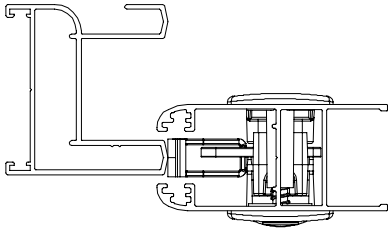
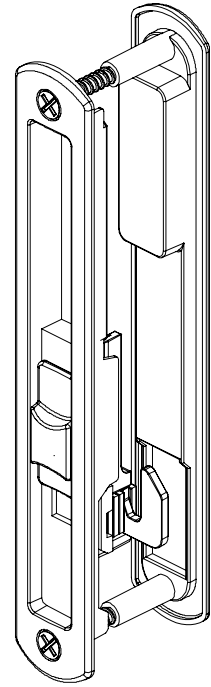
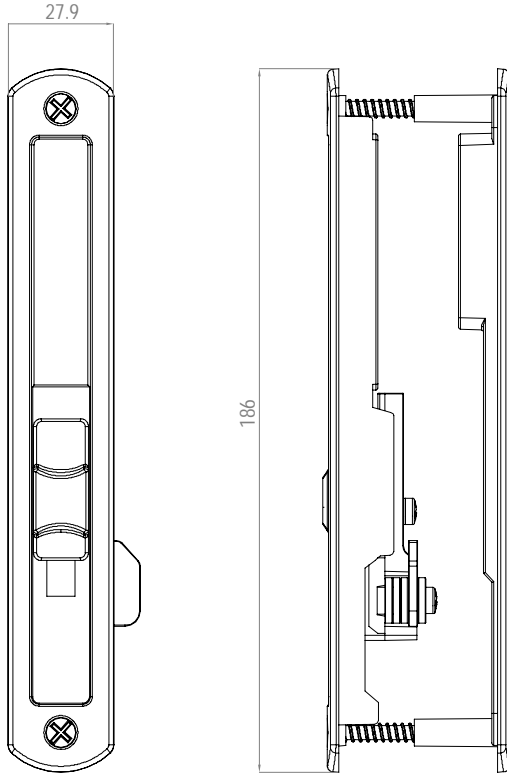


SK.352

Sürme Çekme Kol

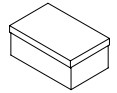
Sliding Handles



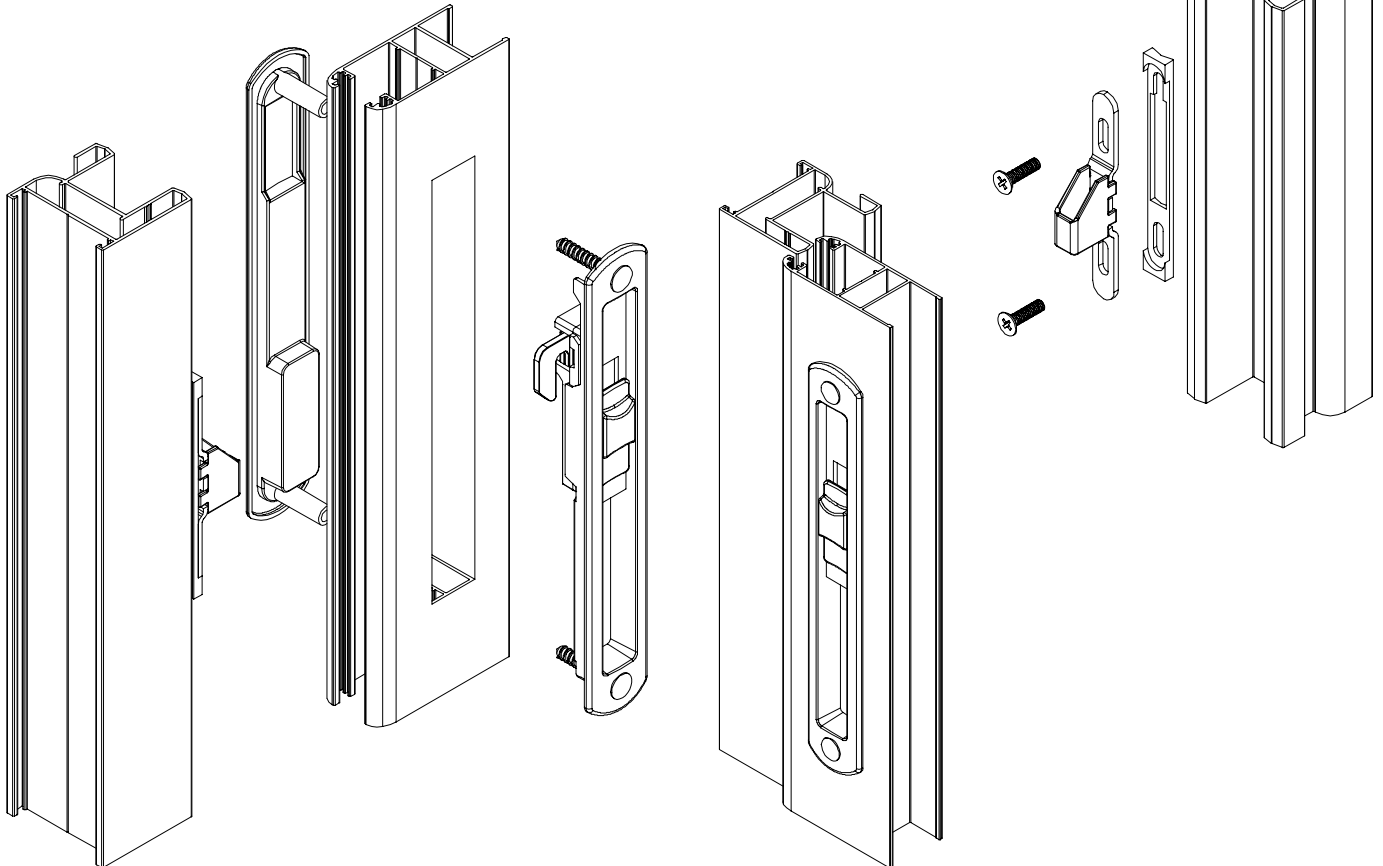


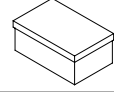
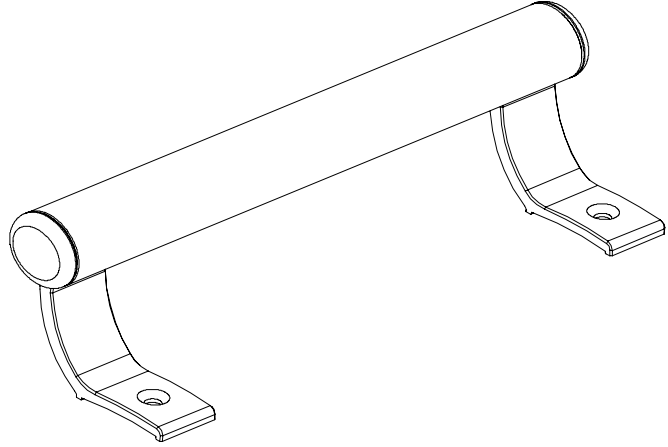
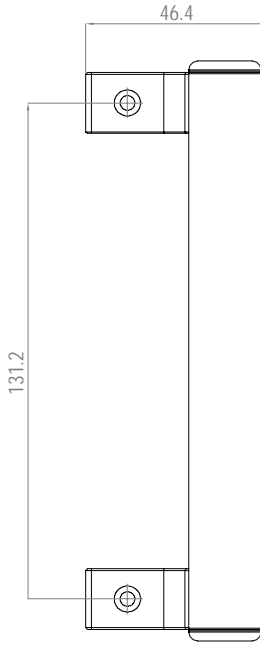
SK.903

Sürme Kilit  
Sliding Lock



50 pcs





SK.350

Sürme Boru Kol  
Sliding Handles

