

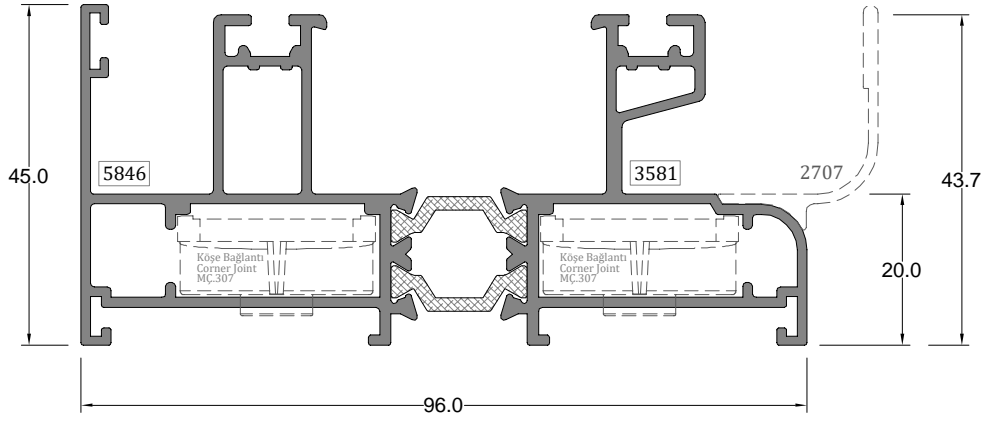
S35 NOVAL NE
THERMO SÜRME S STEM
(Sliding System)

TAM ÖLÇEKL ALÜM NYUM PROF LLER
(Full Scale Aluminum Profiles)

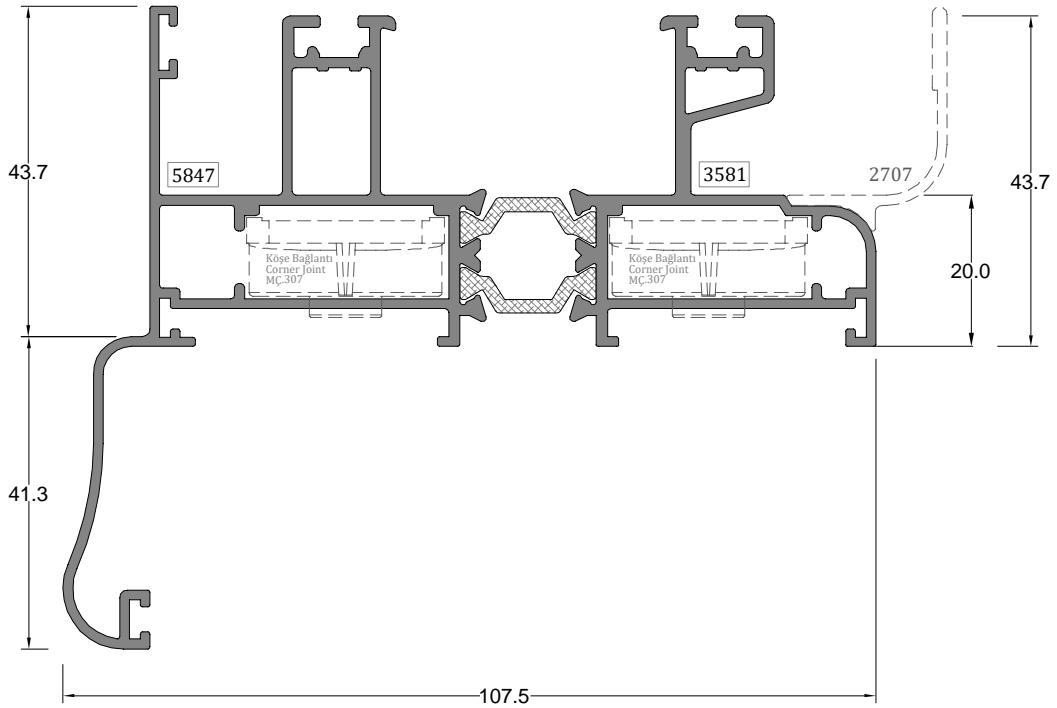
PROF L KES T PROFILE SECTION	PROF L KODU PROFILE CODE	PROF L ADI PROFILE NAME	Jx cm ⁴	Jy cm ⁴	A IRLIK (kg/m) WEIGHT
	5846-3581	K RAYLI KASA PROF L DOUBLE RAIL FRAME PROFILE	55,21	11,19	1,799
	5847-3581	K RAYLI KASA PROF L DOUBLE RAIL FRAME PROFILE	75,75	25,87	2,031
	5853-5854	SAB T KASA PROF L SINGLE FRAME PROFILE	34,45	4,48	1,315
	3592-3582	K RAYLI S NEKL KL KASA PROF L DOUBLE RAIL SCREENING FRAME PROFILE	99,46	14,11	2,140
	5846-3582	K RAYLI S NEKL KL KASA PROF L DOUBLE RAIL SCREENING FRAME PROFILE	71,83	12,21	1,952
	5847-3582	K RAYLI S NEKL KL KASA PROF L DOUBLE RAIL SCREENING FRAME PROFILE	96,00	27,51	2,185
	5846-3584-3582	ÜÇ RAYLI S NEKL KL KASA PROF L TRIPLE RAIL SCREENING FRAME PROFILE	228,22	17,52	2,866
	5847-3584-3582	ÜÇ RAYLI S NEKL KL KASA PROF L TRIPLE RAIL SCREENING FRAME PROFILE	279,38	32,76	3,098
	5846-9782	K RAYLI S NEKL KL KASA PROF L DOUBLE RAIL SCREENING FRAME PROFILE	133,01	14,46	2,350
	5847-3584-3581	ÜÇ RAYLI S NEKL KL KASA PROF L TRIPLE RAIL SCREENING FRAME PROFILE	238,70	31,25	2,946
	5846-3584-3581	ÜÇ RAYLI KASA PROF L TRIPLE RAIL FRAME PROFILE	191,67	16,39	2,713
	5859-5860	KANAT PROF L SASH PROFILE	37,37	10,58	1,651
	5841-5841	KANAT PROF L SASH PROFILE	19,83	8,22	1,400
	5855-5856	KANAT PROF L SASH PROFILE	32,20	8,50	1,535
	5841-5843	KANAT PROF L SASH PROFILE	28,21	22,59	1,749
	5857-5858	KANAT PROF L SASH PROFILE	37,00	10,59	1,629
	5829	S NEKL K KANAT PROF L SCREENING SASH PROFILE	10,38	1,10	0,655
	9781	S NEKL K KANAT PROF L SCREENING SASH PROFILE	13,87	3,30	0,860
	5862	KENET PROF L LOCKING PROFILE	21,56	11,81	1,100
	5839	KENET PROF L LOCKING PROFILE	6,02	2,90	0,662
	5840	KENET PROF L LOCKING PROFILE	21,81	4,12	1,030
	5852-5852	ORTA KAYIT PROF L MULLION PROFILE	6,49	6,40	1,066

AKSESUAR ACCESSORY	STOK KODU REFERENCE CODE	AKSESUAR ADI DESCRIPTION	AKSESUAR KODU PRODUCT CODE	PAKET PACK
	03 010615	RAIL COVER GASKET	S35T-KRF.05	330 mt / paket 10 kg
	03 010503	DI CAM F T L OUTER GLAZING GASKET	S35T-DCF.30	210 mt / paket 10 kg
	03 011230	Ç CAM F T L INNER GLAZING GASKET	S35T- CF.30	280 mt / paket 10 kg
	03 011231	Ç CAM F T L INNER GLAZING GASKET	S35T- CF.40	220 mt / paket 10 kg
	03 010732	Ç CAM F T L INNER GLAZING GASKET	S35T- CF.50	185 mt / paket 10 kg
	01 130307	ALYAN KÖ E BA LANTI ALLEN CORNER JOINT	S35T-MÇ.307	250 ad / paket
	01 200400	KANAT KÖ E BA LANTI SASH CORNER JOINT	S35T-KKB.400	100 ad / paket
	01 200401	KENET KÖ E BA LANTI INTERLOCKING CORNER JOINT	S35T-KKB.401	100 ad / paket
	01 200402	KENET KÖ E BA LANTI (TERS) INTERLOCKING CORNER JOINT (SYMMETRY)	S35T-KKB.402	100 ad / paket
	01 200411	KENET KAPA I INTERLOCKING CORNER CAP	S35T-KP.411	100 ad / paket
	01 200460	KANAT SAB TLEME TAKOZU SASH FIXING WEDGE	S35T-KST.460	100 ad / paket
	01 200410	S35 STOPER S35 STOPPER	S35T-STP.410	250 ad / paket
	01 200420	ALT VE ÜST HAVA KES C BOTTOM AND TOP AIR BLOCKER	S35T-HK.420	4 ad / paket

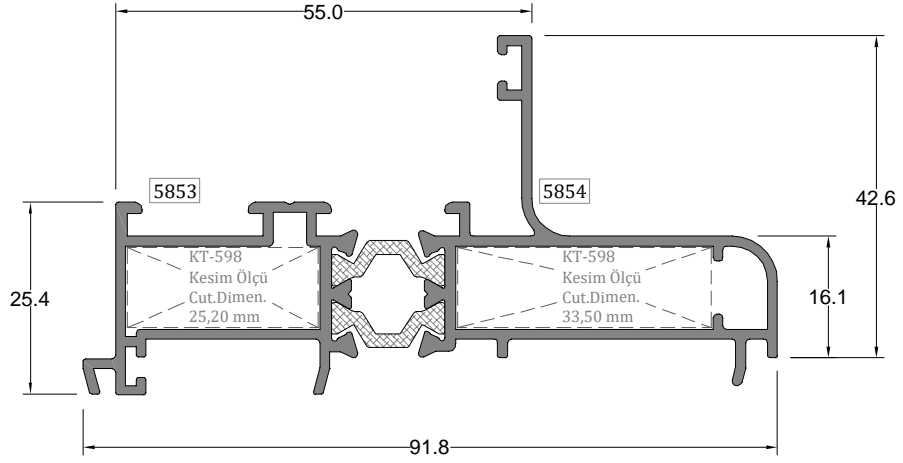
AKSESUAR ACCESSORY	STOK KODU REFERENCE CODE	AKSESUAR ADI DESCRIPTION	AKSESUAR KODU PRODUCT CODE	PAKET PACK
	01 200430	TAKV YEL KENET KAPA I REINFORCED INTERLOCKING CAP <small>5840 profil ile çalı ır / For 5840</small>	S35T-TKK.430	100 ad / paket
	01 200431	TAKV YEL KENET KAPA I REINFORCED INTERLOCKING CAP <small>5841-5843 profil ile çalı ır / For 5841-5843</small>	S35T-TKK.431	100 ad / paket
	01 200450	S35 ALÜM NYUM RULMAN S35 ALUMINIUM ROLLER	S35T-AR.450	100 ad / paket
	01 200440	SPANYOLET KAR ILIK ESPAGNOLETTE STRIKER	S35T- K.440	25 ad / paket
	01 200441	SPANYOLET KANCA VE GÖVDE ESPAGNOLETTE BODY SET	S35T-GT.441	25 ad / paket
	04 010200	S35 PASLANMAZ ÇEL K RAY 8,3mm S35 STAINLESS STEEL RAIL 8,3 mm	S35T-PÇR.200	10 ad x 6 m
	01 071050	S35 KASA U PLAST FRAME PART	S35T-KP.50	20 ad x 6m
	03 050711	FIRÇA F T L WEATHER STRIP	FÇ.711	250 mt / paket
	01 200480	KENET YALITIM PLAST INTERLOCKING INSULATION PART	S35T-KYP.480	25 ad x 6 m
	02 020260	PUNÇ MAK NES PUNCH MACHINE	S35T-PM.260	1 ad / paket



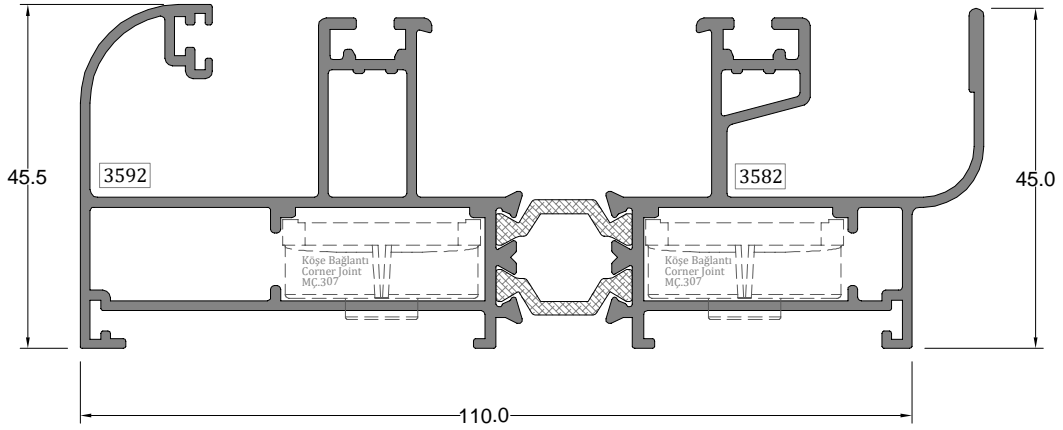
ki Raylı Kasa Profili DOUBLE RAIL FRAME PROFILE	Profil Kodu Profile Code	(kg/mt) Weight	Jx cm ⁴	Jy cm ⁴
	5846-3581	1,799	55,21	11,19



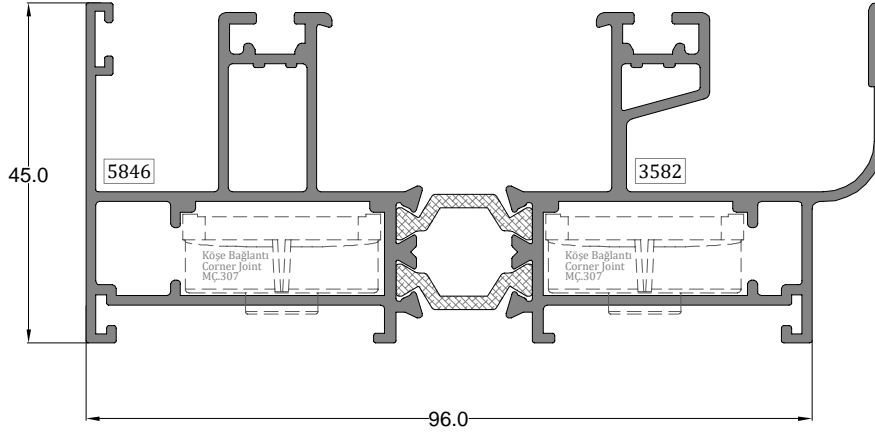
ki Raylı Kasa Profili DOUBLE RAIL FRAME PROFILE	Profil Kodu Profile Code	(kg/mt) Weight	Jx cm ⁴	Jy cm ⁴
	5847-3581	2,031	75,75	25,87



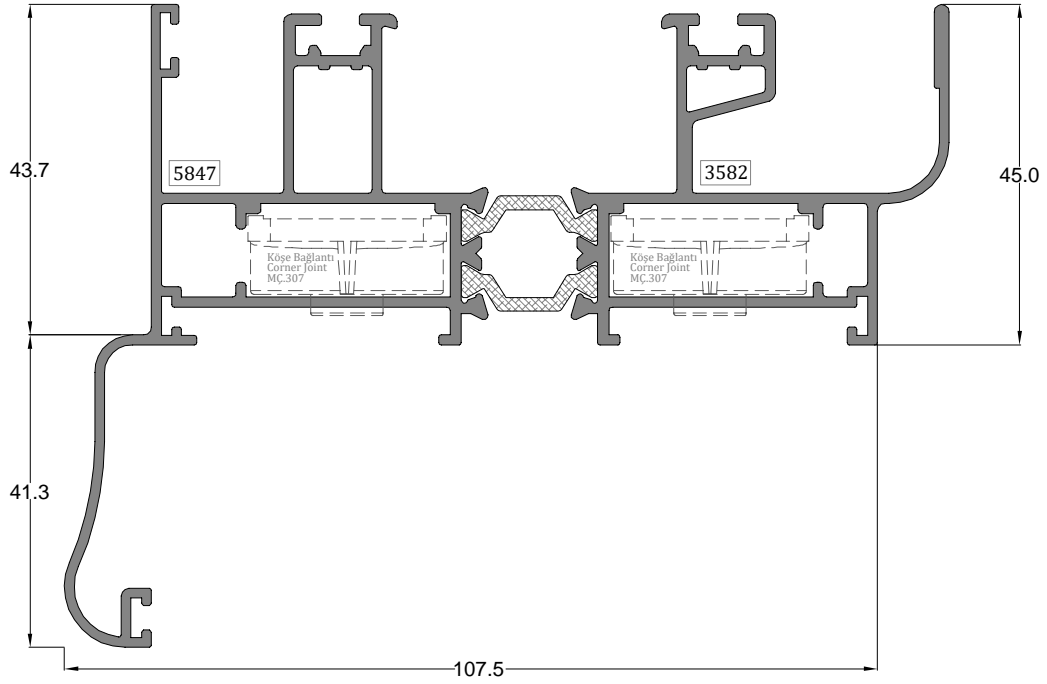
Sabit Kasa Profili FIXED FRAME PROFILE	Profil Kodu Profile Code	(kg/mt) Weight	Jx cm ⁴	Jy cm ⁴
	5853-5854	1,315	34,45	4,48



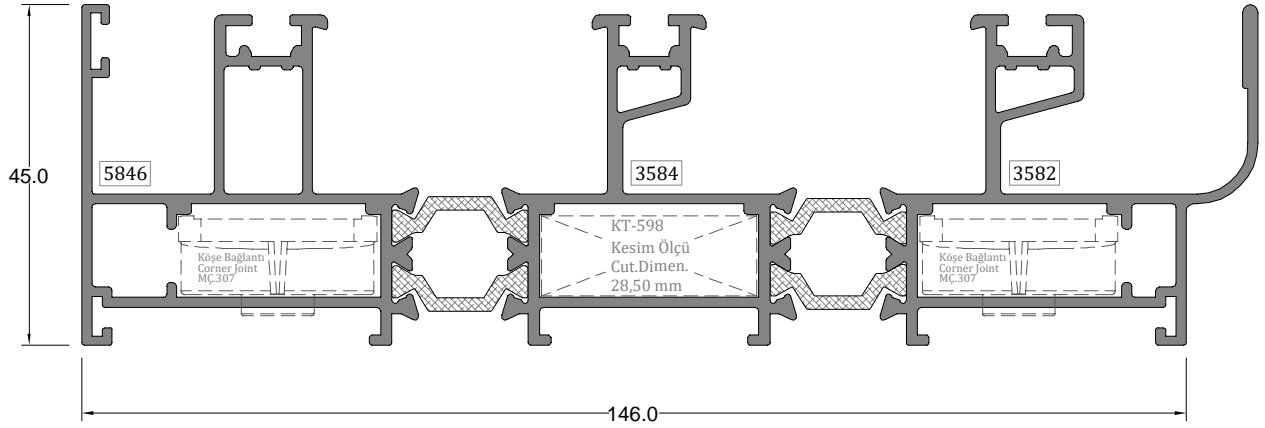
ki Raylı Sineklikli Kasa Profili DOUBLE RAIL SCREENING FRAME PROFILE	Profil Kodu Profile Code	(kg/mt) Weight	Jx cm ⁴	Jy cm ⁴
	3592-3582	2,140	99,46	14,11



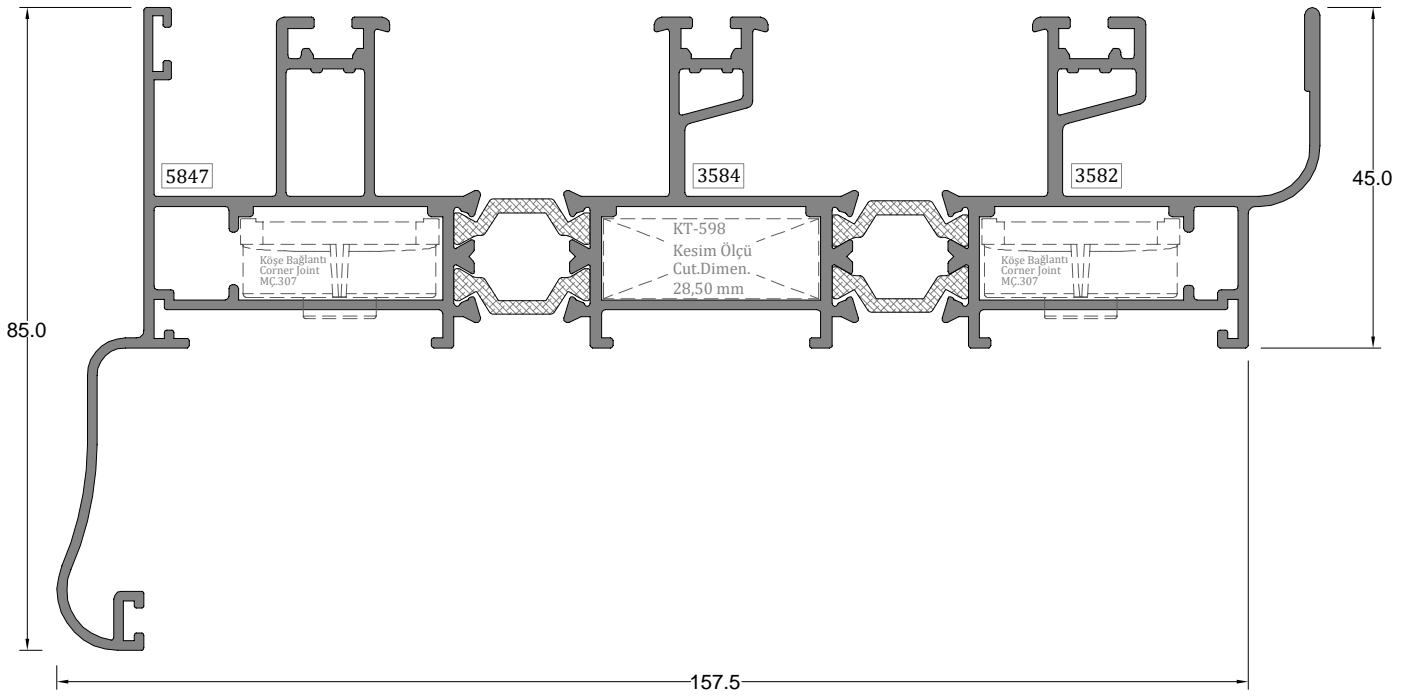
ki Raylı Sineklikli Kasa Profili DOUBLE RAIL SWATTER FRAME PROFILE	Profil Kodu Profile Code	(kg/mt) Weight	Jx cm ⁴	Jy cm ⁴
	5846-3582	1,952	71,83	12,21



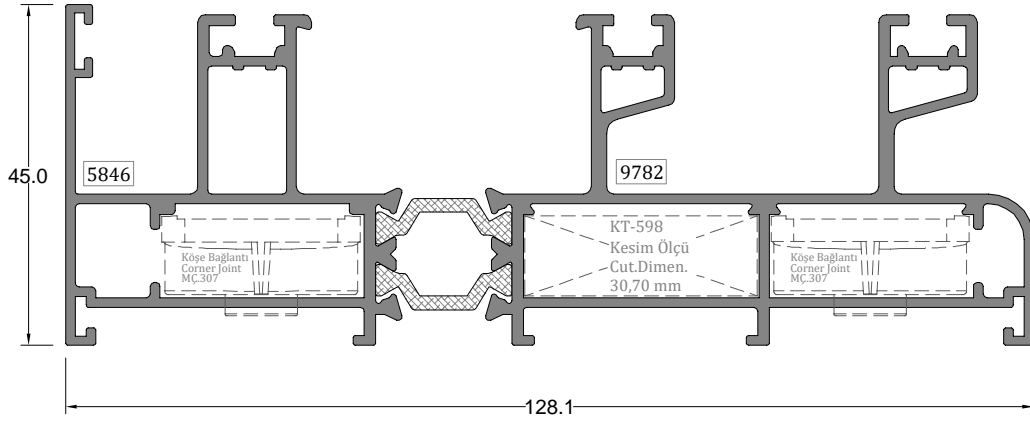
ki Raylı Sineklikli Kasa Profili DOUBLE RAIL SWATTER FRAME PROFILE	Profil Kodu Profile Code	(kg/mt) Weight	Jx cm ⁴	Jy cm ⁴
	5847-3582	2,185	96,00	27,51



Üç Raylı Sineklikli Kasa Profili TRIPLE RAIL SCREENING FRAME PROFILE	Profil Kodu Profile Code	(kg/mt) Weight	Jx cm ⁴	Jy cm ⁴
	5846-3584-3582	2,866	228,22	17,52

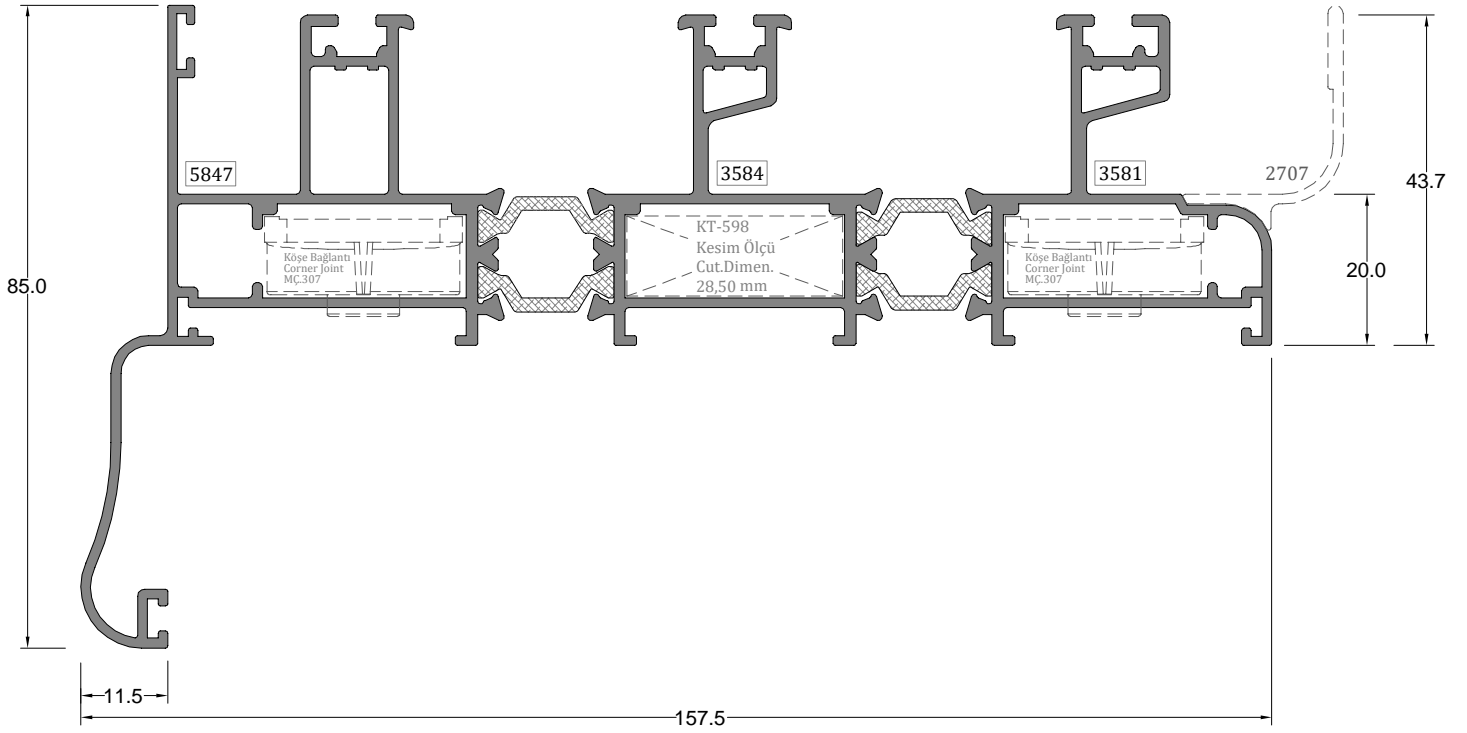


Üç Raylı Sineklikli Kasa Profili TRIPLE RAIL SCREENING FRAME PROFILE	Profil Kodu Profile Code	(kg/mt) Weight	Jx cm ⁴	Jy cm ⁴
	5847-3584-3582	3,098	279,38	32,76



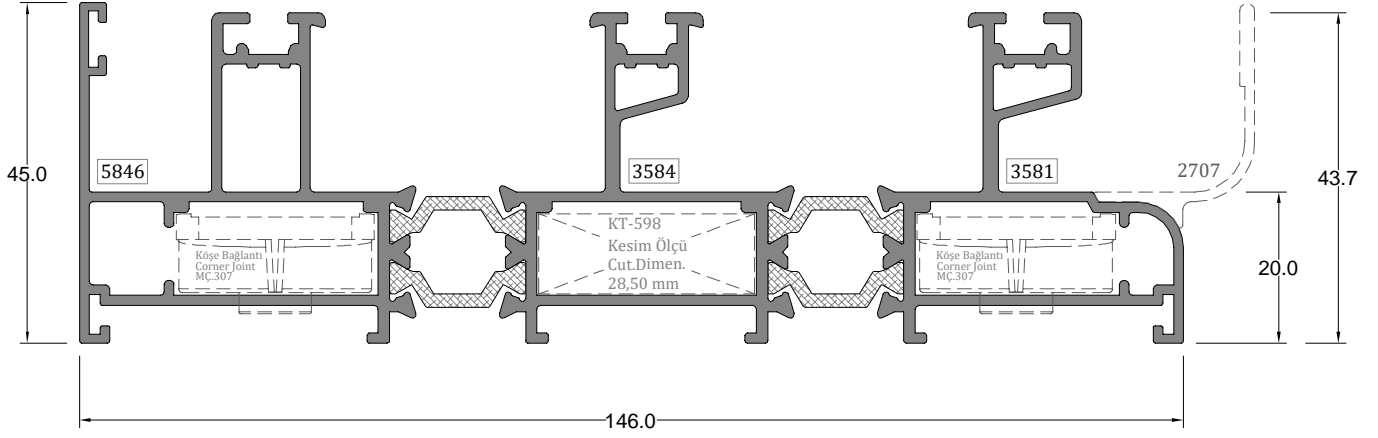
ki Raylı Sineklikli Kasa Profili
DOUBLE RAIL SCREENING FRAME PROFILE

Profil Kodu Profile Code	(kg/mt) Weight	Jx cm ⁴	Jy cm ⁴
5846-9782	2,350	133,01	14,46

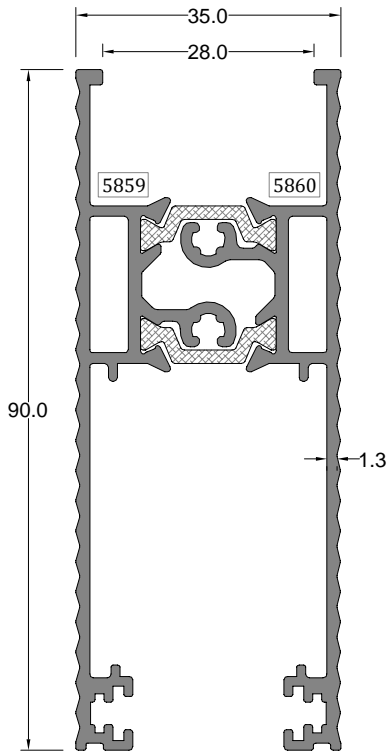


Üç Raylı Sineklikli Kasa Profili
TRIPLE RAIL SCREENING FRAME PROFILE

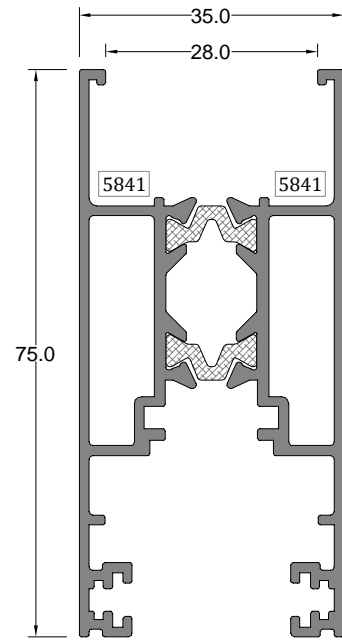
Profil Kodu Profile Code	(kg/mt) Weight	Jx cm ⁴	Jy cm ⁴
5847-3584-3581	2,946	238,70	31,25



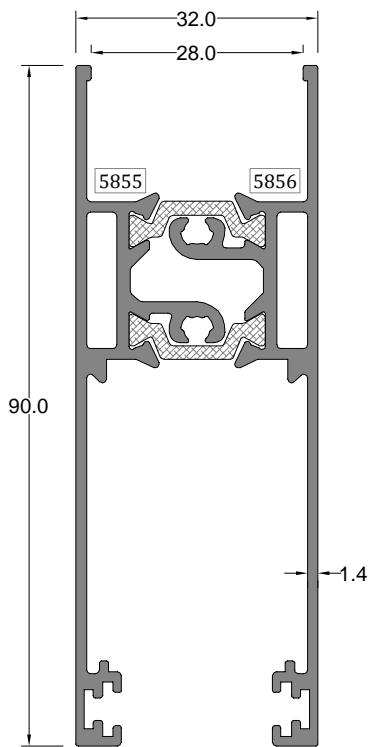
Üç Raylı Kasa Profili TRIPLE RAIL FRAME PROFILE	Profil Kodu Profile Code	(kg/mt) Weight	Jx cm ⁴	Jy cm ⁴
	5846-3584-3581	2,713	191,67	16,39



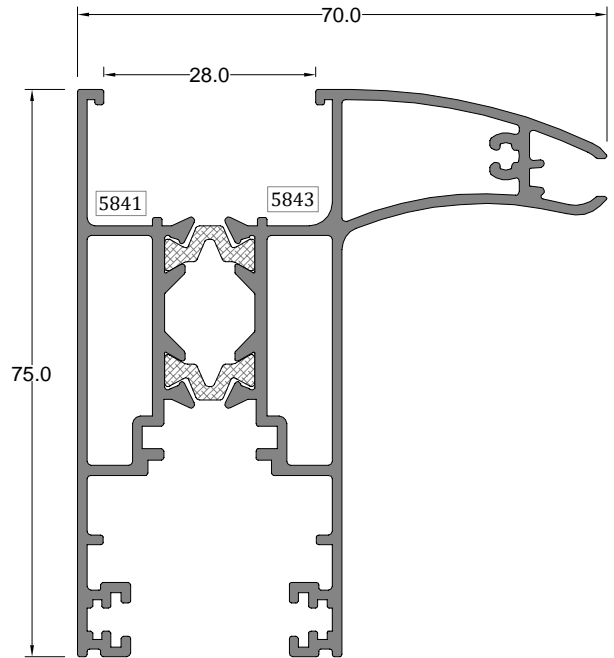
Kanat Profili	Profil Kodu	(kg/mt)	Jx cm ⁴	Jy cm ⁴
SASH PROFILE	Profile Code	Weight		
	5859-5860	1,651	37,37	10,58



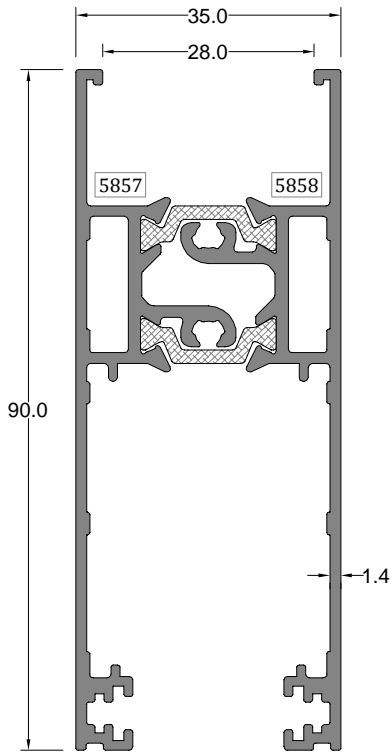
Kanat Profili	Profil Kodu	(kg/mt)	Jx cm ⁴	Jy cm ⁴
SASH PROFILE	Profile Code	Weight		
	5841-5841	1,400	19,83	8,22



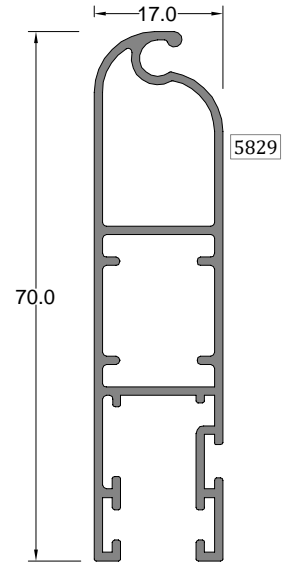
Kanat Profili	Profil Kodu	(kg/mt)	Jx cm ⁴	Jy cm ⁴
SASH PROFILE	Profile Code	Weight		
	5855-5856	1,535	32,20	8,50



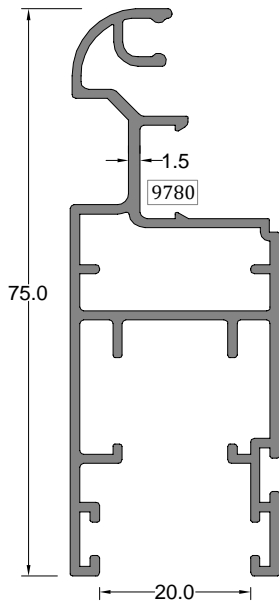
Kanat Profili	Profil Kodu	(kg/mt)	Jx cm ⁴	Jy cm ⁴
SASH PROFILE	Profile Code	Weight		
	5841-5843	1,749	28,21	22,59



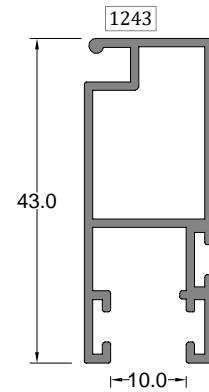
Kanat Profili SASH PROFILE	Profil Kodu Profile Code	(kg/mt) Weight	Jx cm ⁴	Jy cm ⁴
	5857-5858	1,629	37,00	10,59



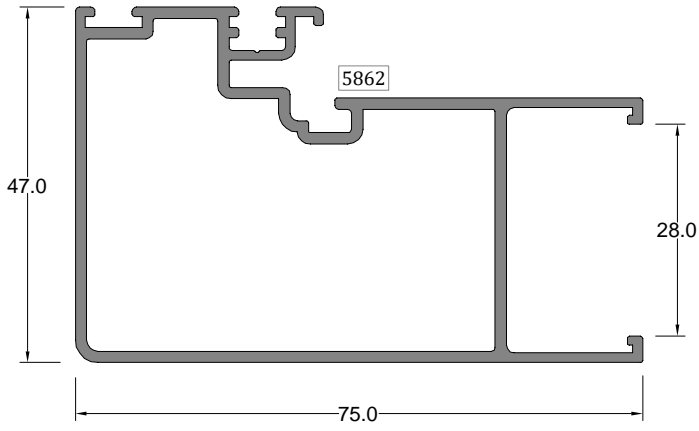
Sineklik Kanat Profili SWATTER SASH PROFILE	Profil Kodu Profile Code	(kg/mt) Weight	Jx cm ⁴	Jy cm ⁴
	5829	0,655	10,38	1,10



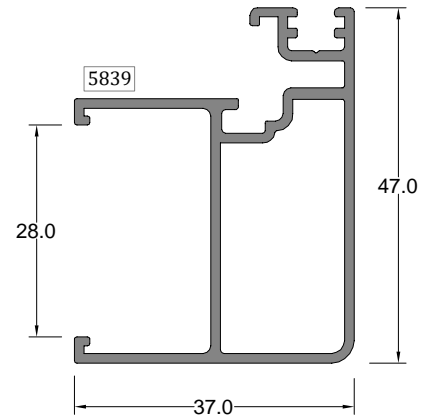
Sineklik Kanat Profili SWATTER SASH PROFILE	Profil Kodu Profile Code	(kg/mt) Weight	Jx cm ⁴	Jy cm ⁴
	9780	0,860	13,87	3,30



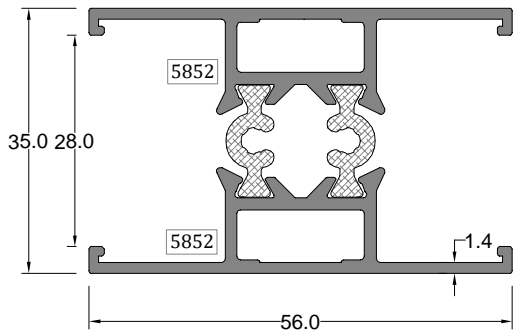
Sineklik Kanat Profili SWATTER SASH PROFILE	Profil Kodu Profile Code	(kg/mt) Weight
	1243	0,434



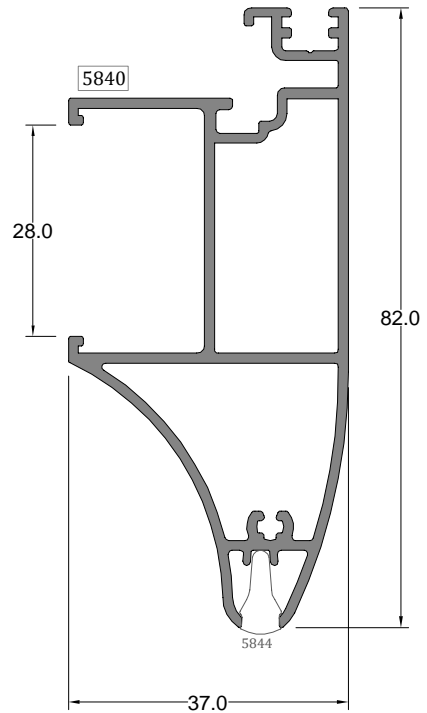
Kenet Profili	Profil Kodu Profile Code	(kg/mt) Weight	Jx cm ⁴	Jy cm ⁴
LOCKING PROFILE	5862	1,100	21,56	11,81



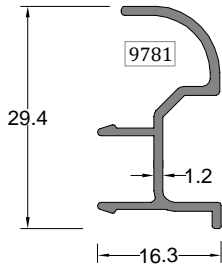
Kenet Profili	Profil Kodu Profile Code	(kg/mt) Weight	Jx cm ⁴	Jy cm ⁴
LOCKING PROFILE	5839	0,662	6,02	2,90



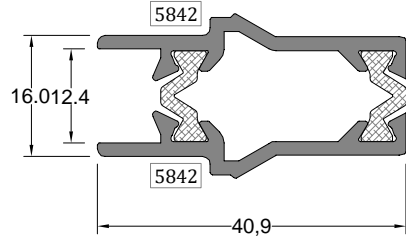
Orta Kayıt Profili	Profil Kodu Profile Code	(kg/mt) Weight	Jx cm ⁴	Jy cm ⁴
MULLION PROFILE	5852-5852	1,066	6,49	6,40



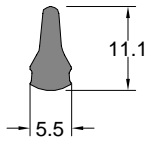
Kenet Profili	Profil Kodu Profile Code	(kg/mt) Weight	Jx cm ⁴	Jy cm ⁴
LOCKING PROFILE	5840	1,030	21,81	4,12



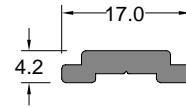
Sineklik Kapak Profili SCREENING CUP PROFILE	Profil Kodu Profile Code	(kg/mt) Weight
	9781	0,211



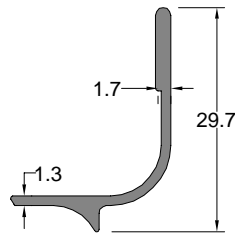
Adaptör Profili ADAPTER PROFILE	Profil Kodu Profile Code	(kg/mt) Weight
	5842-5842	0,686



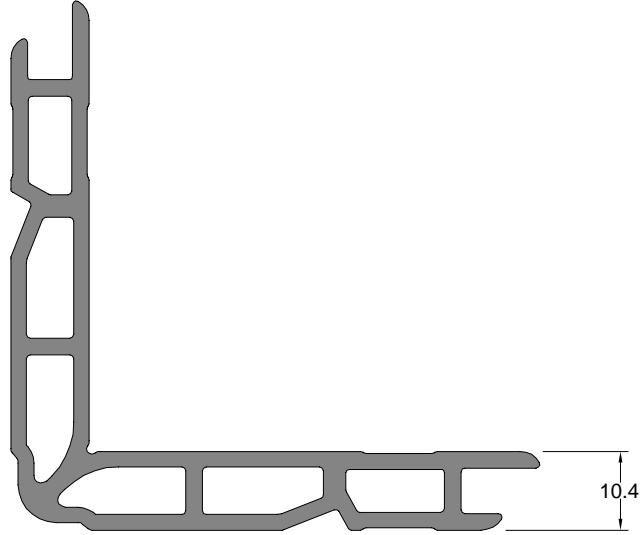
Kapak Profili CAP PROFILE	Profil Kodu Profile Code	(kg/mt) Weight
	5844	0,103



Tij Profili STEM BAR PROFILE	Profil Kodu Profile Code	(kg/mt) Weight
	5845	0,141

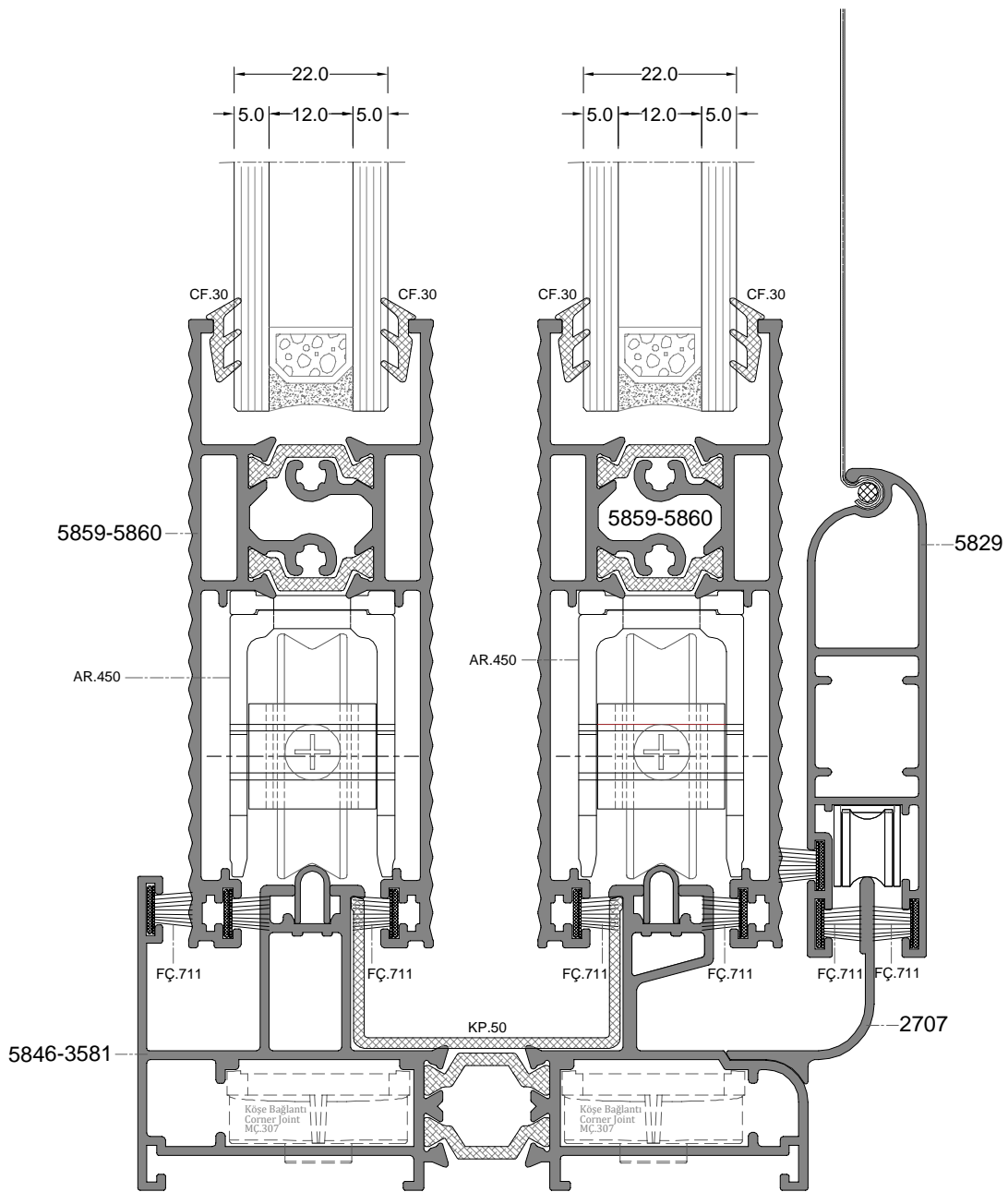
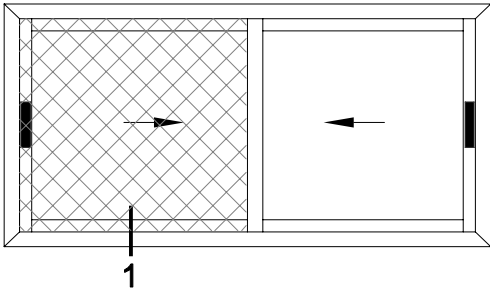


Sineklik Profili SCREENING PROFILE	Profil Kodu Profile Code	(kg/mt) Weight
	2707	0,655

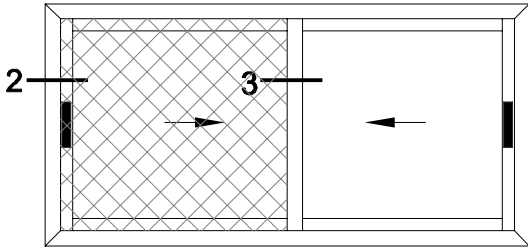


Kö e Takoz Profili CORNER WEDGE PROFILE	Profil Kodu Profile Code	(kg/mt) Weight
	598	1,677

Kö e Takozu Profil Kodu Corner Wedge Profile Code	Kullanıldı ı Profil Used Profile	Kesim Boyu (mm) Cutting Length (mm)
598	3584	28,50 mm
	5853	25,20 mm
	5854	33,50 mm

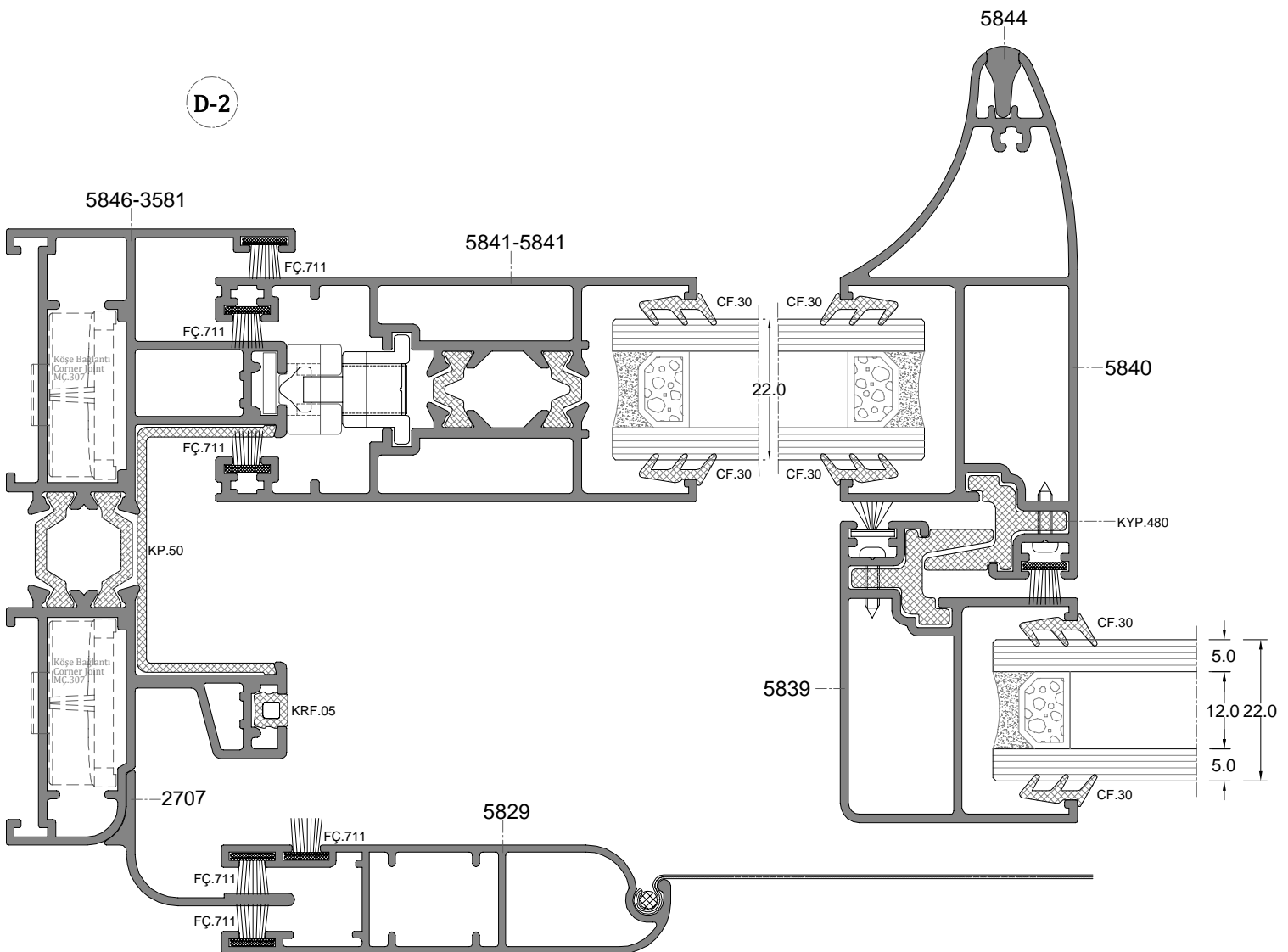


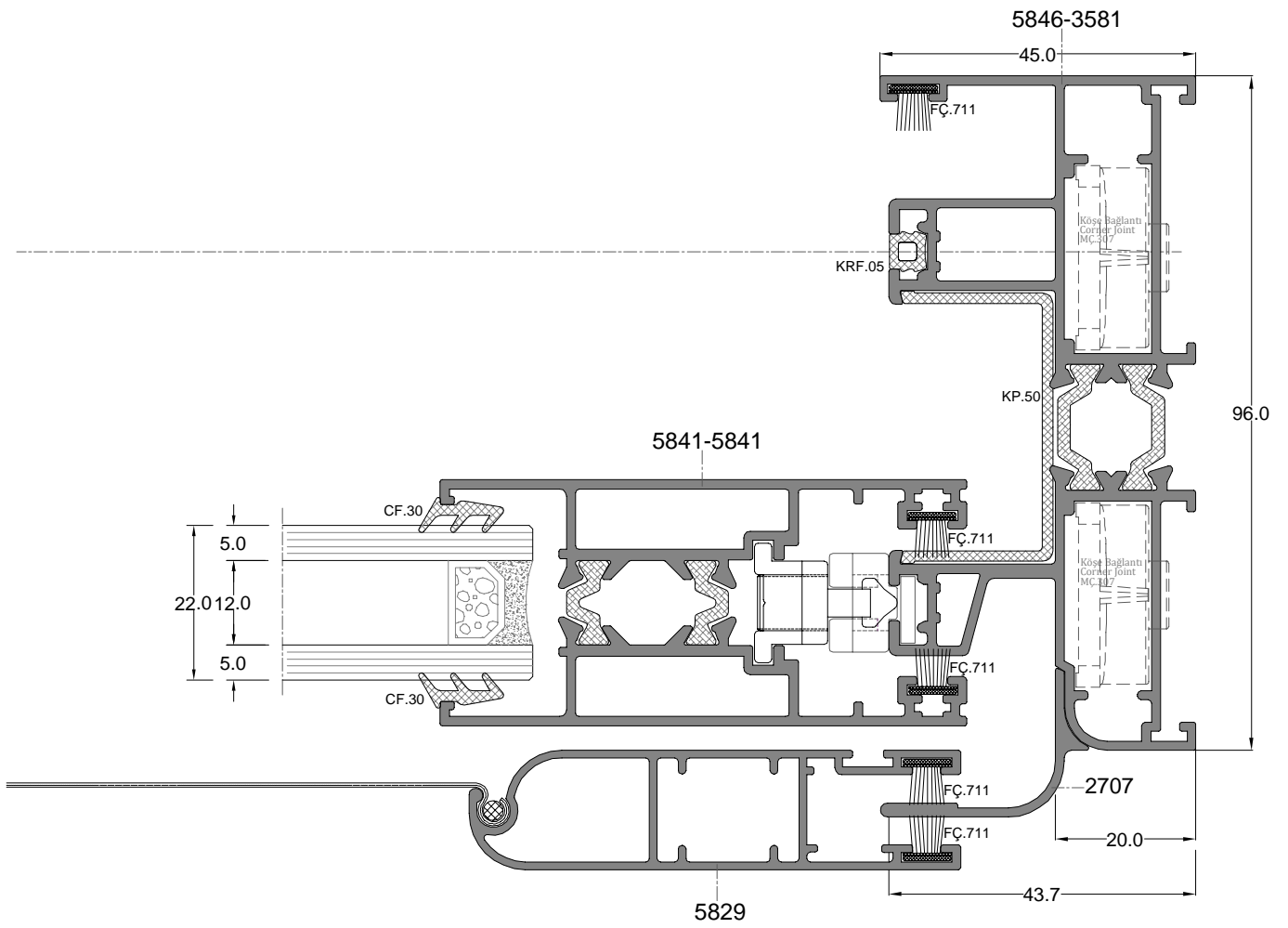
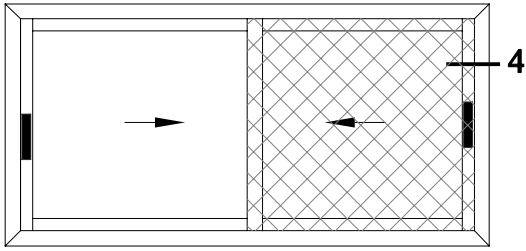
D-1



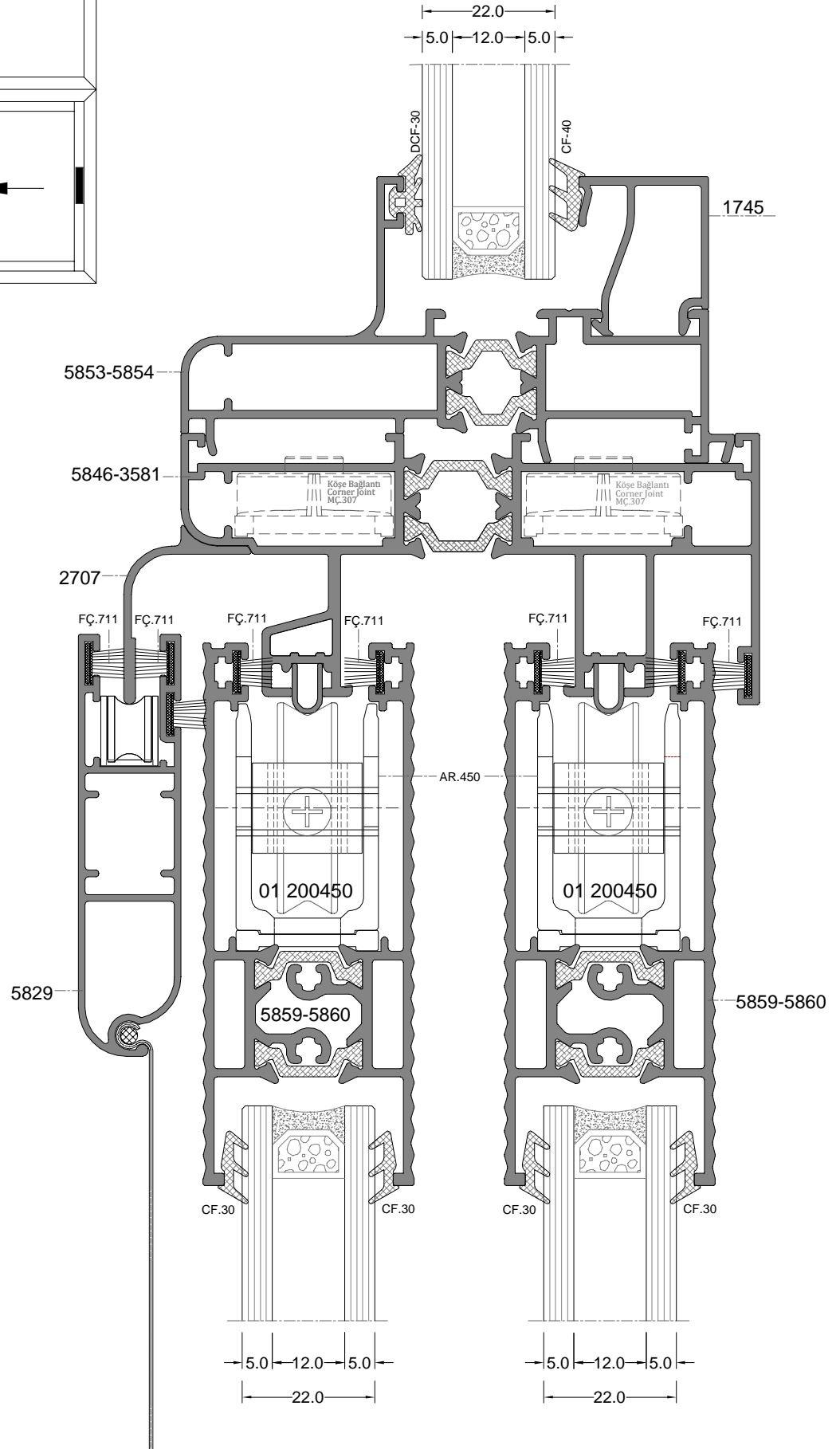
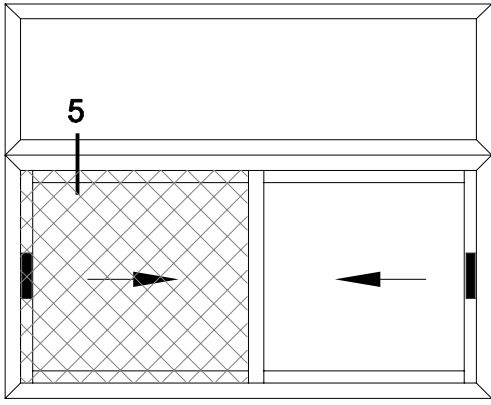
D-2

D-3

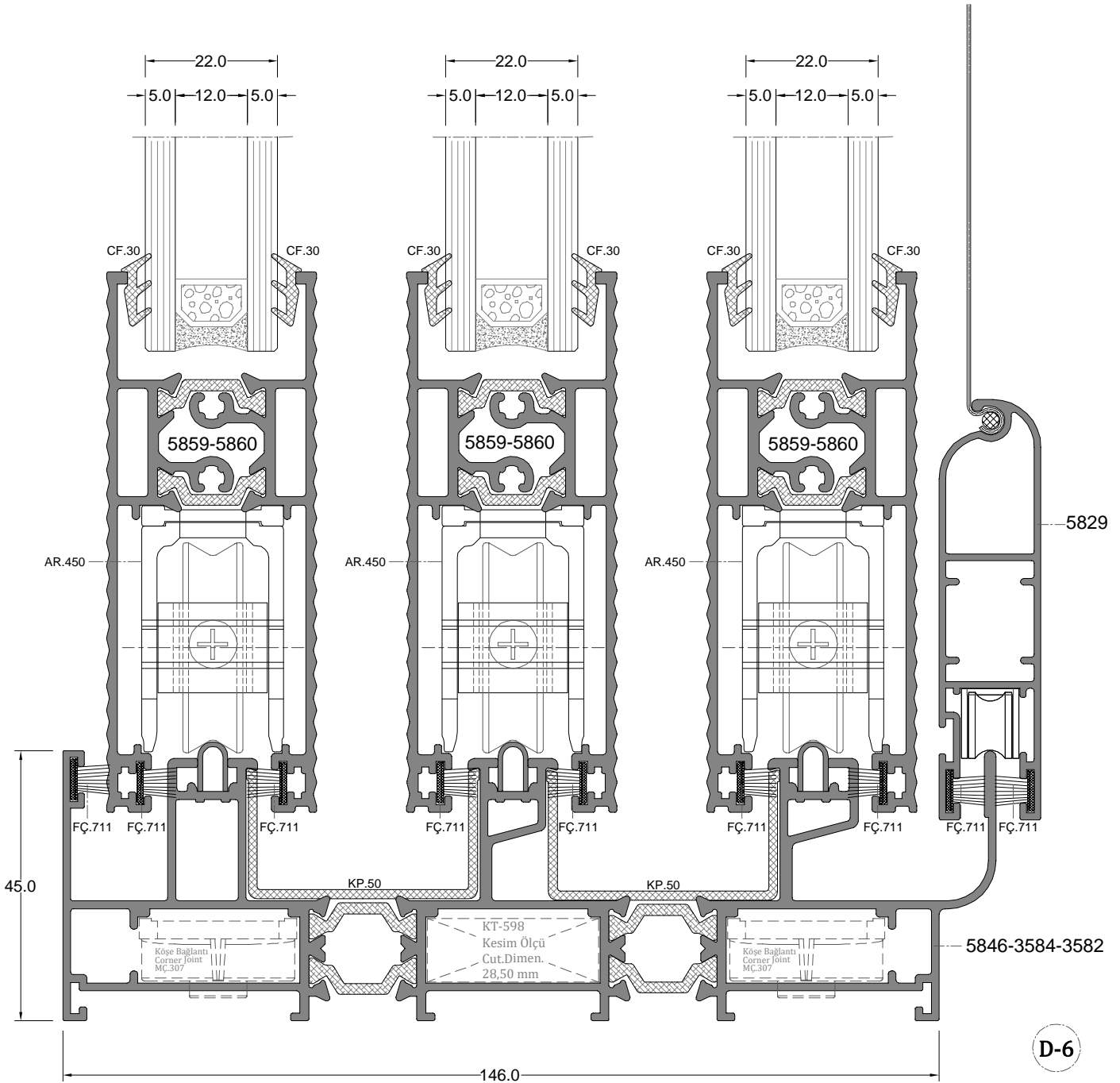
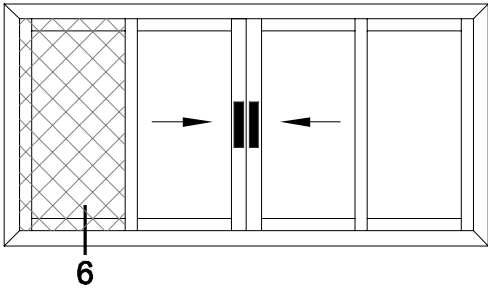


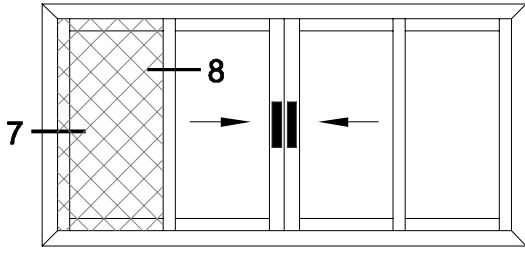


D-4

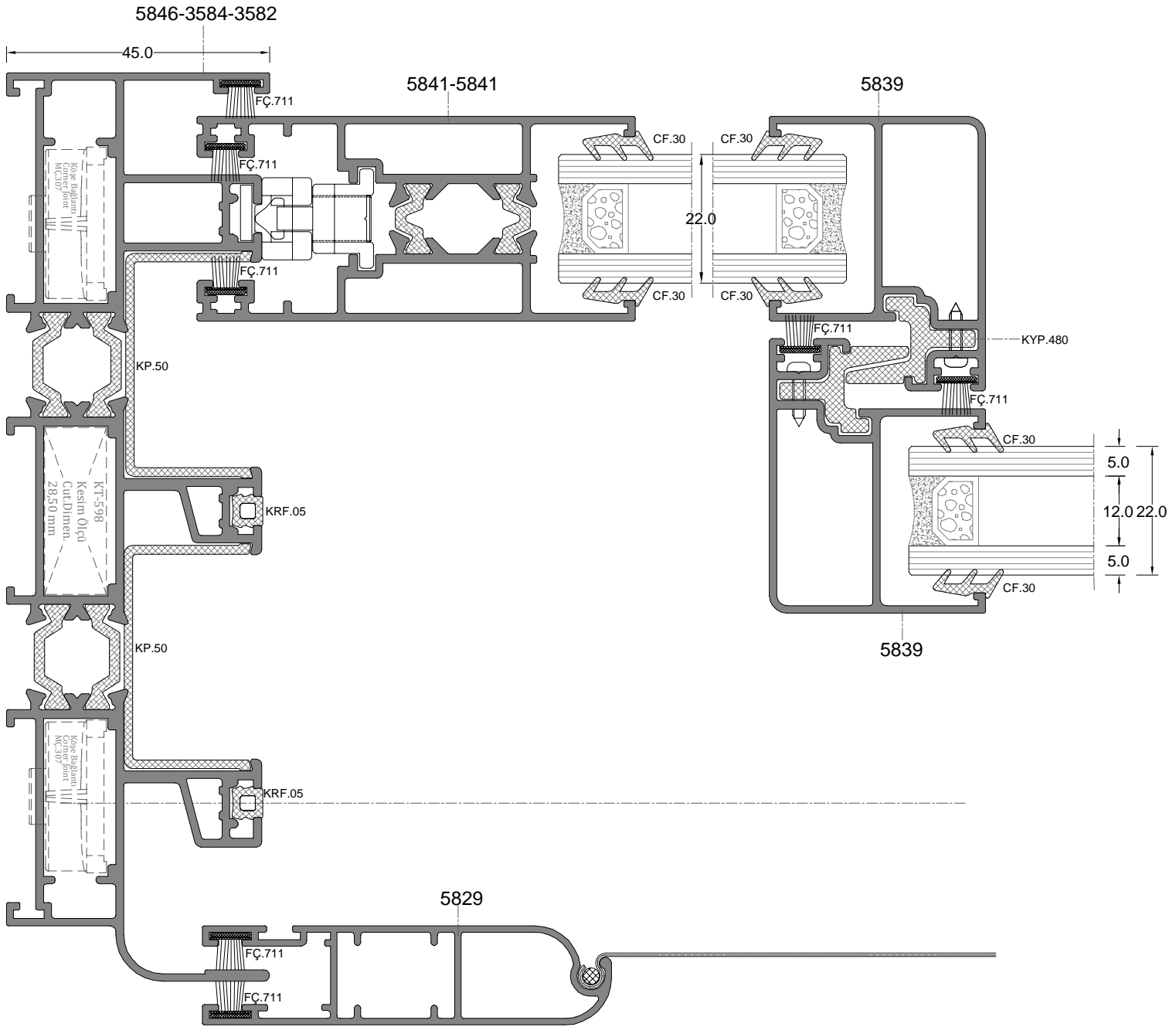


D-5

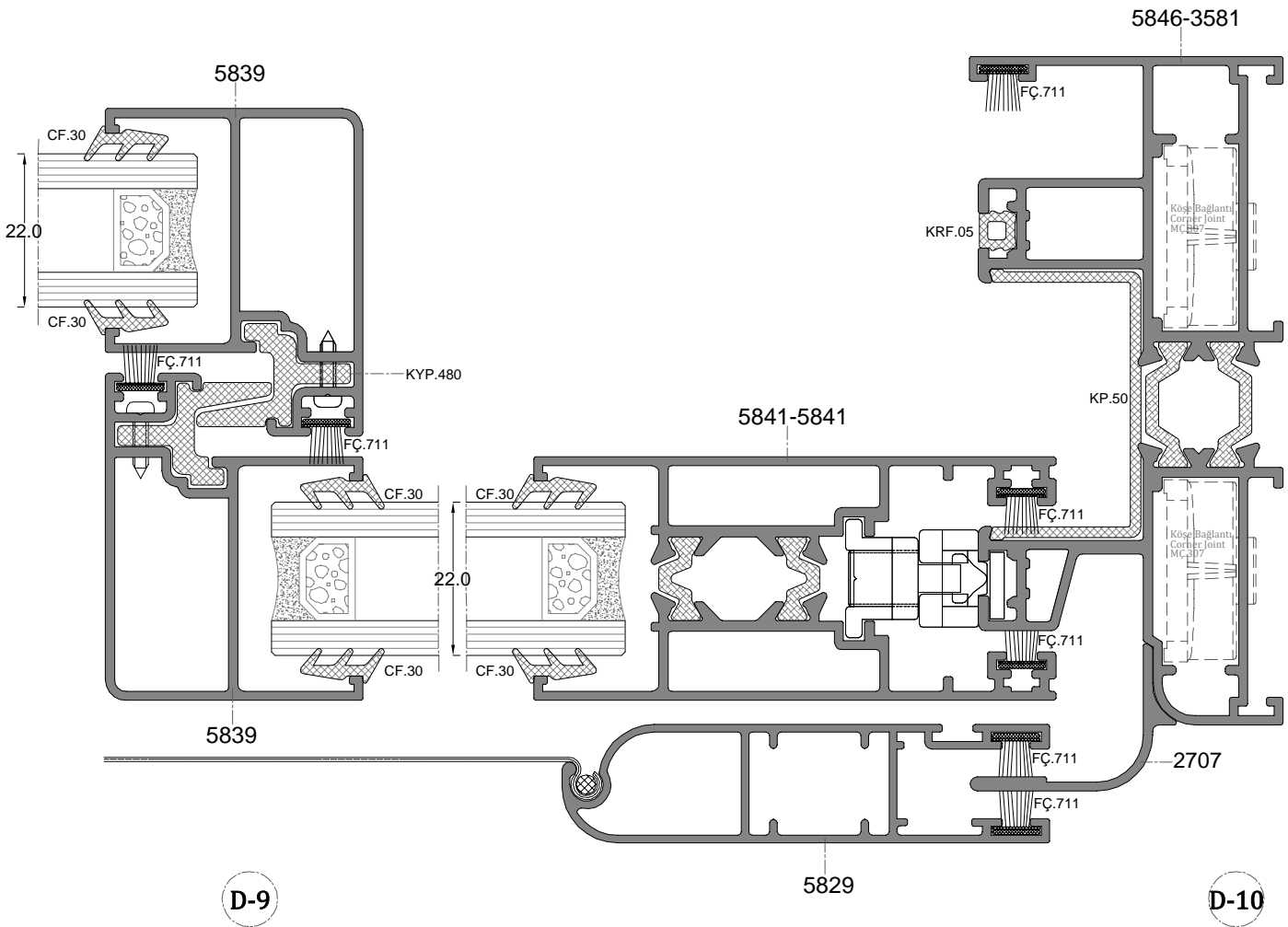
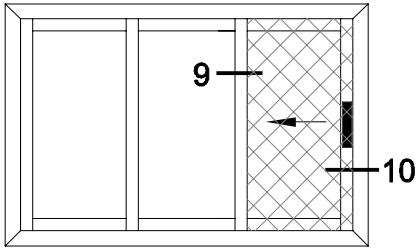


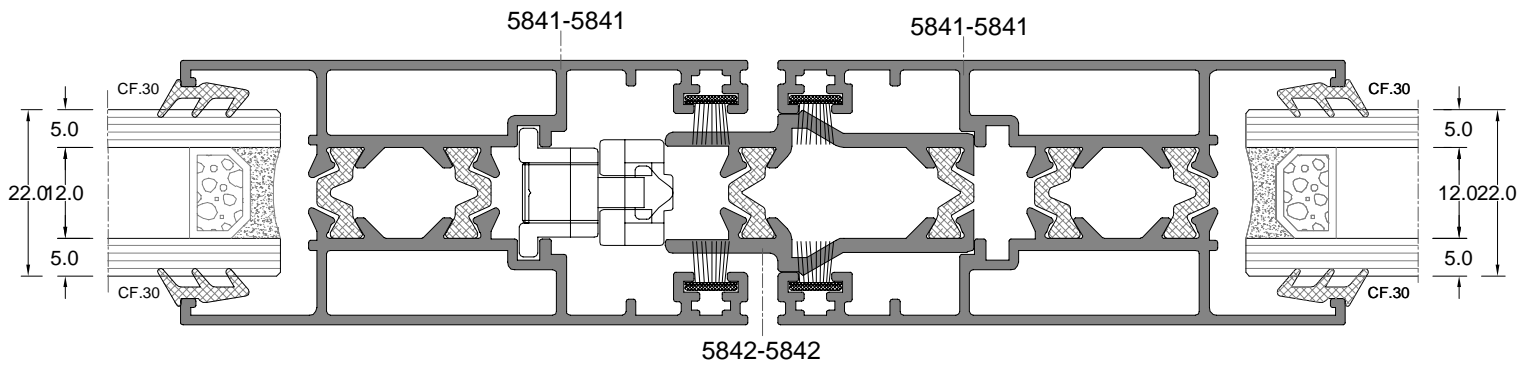
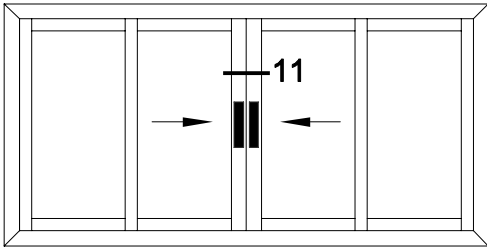


D-8



D-7





D-11